

MIDWAY

May 1994
16-40019-101



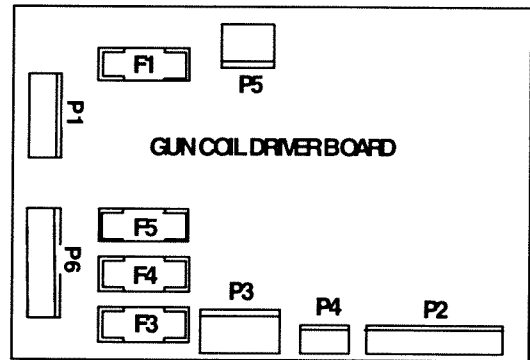
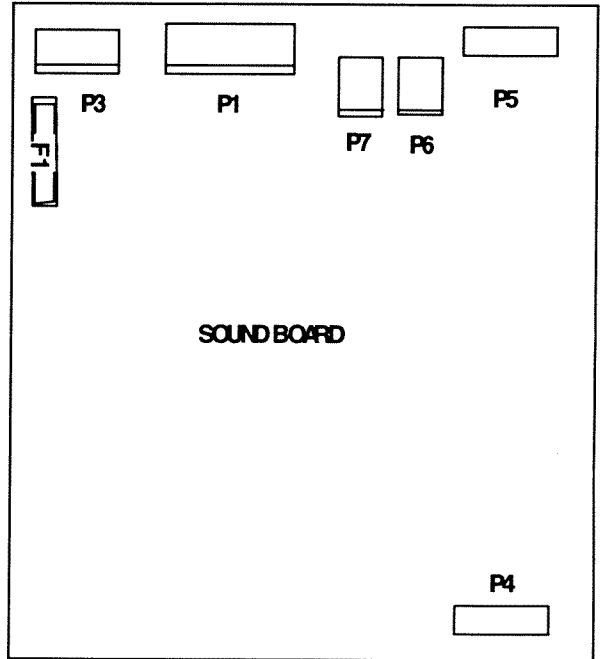
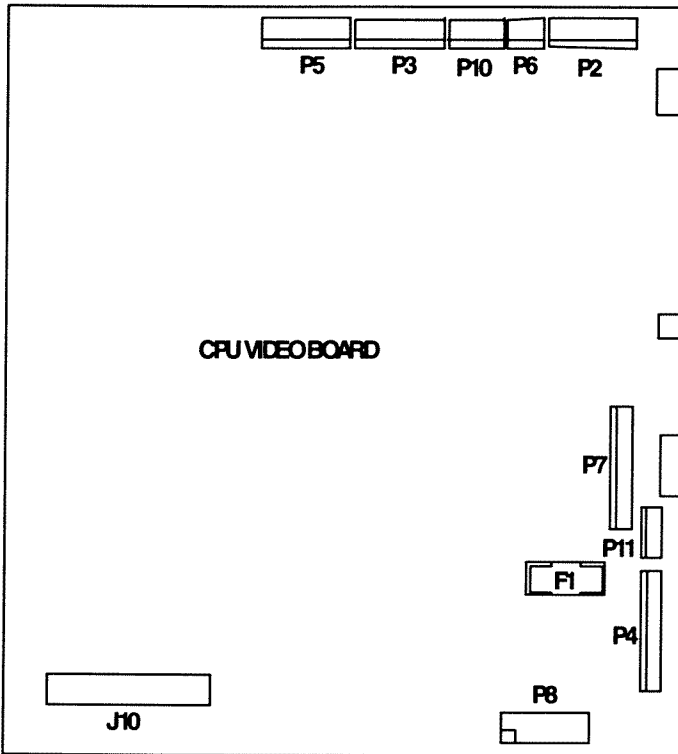
REVOLUTION -X-

MUSIC IS THE WEAPON.

2-PLAYER OPERATIONS MANUAL

operation & adjustments
testing & problem diagnostic
parts information
wiring diagrams & schematics

FUSE LIST



CPU Video Board
 F1 - 1/4A F.B. 5 x 20mm

Sound Board
 F1 - 2A S.B. 5 x 20mm

Gun Coil Driver Board
 F1 - 5A S.B.
 F3, F4, F5- 1.5A S.B.

Line Fuse*
 (Country Specific)

G.I. Fuse*
 1A S.B.

*Not shown

REVOLUTION X

2 PLAYER

MIDWAY Manufacturing Company reserves the rights to make modifications and improvements to its products. The specifications and parts identified in this manual are subject to change without notice.

REVOLUTION X

Monday, November 11, 1996: The New Order Nation - a corrupt alliance of government and big business led by "Headmistress Helga" - has abducted rock superstars Aerosmith from a Los Angeles concert hall and launched an offensive to control the world's youth. Legions of NON party troops now control the world's cultural and technological centers.

You, one of the world's last free youth, are armed with an AUTOLOAD MULTI-CD LAUNCHER/SONIC ASSAULT WEAPON. You must battle all New Order Forces to get backstage at LA'S "Club X" to receive a secret message left for you by AEROSMITH!

Continuing on, you illegally requisition a New Order Chopper and take it on a devastating joy ride above the streets of LA. You must ultimately locate AEROSMITH'S "X" car where you will receive another message from AEROSMITH, letting you choose your next destination from the Pacific Rim, the Amazon and the Middle East.

When you have successfully Completed all four levels of the game, you arrive on stage at Wembley Arena in England for the final surprising confrontation with Headmistress Helga. You must defeat Headmistress Helga to overthrow the New Order Nation and make you contribution to the Revolution!

- Remember, Music Is The Weapon!

game rules...

You need two credits to start a game, and two credits to continue.

Use trigger and yellow Bomb button on gun in combination to discover secret weapons.

Look for hidden passages and entry ways into unknown areas.

TABLE OF CONTENTS

Section 1 Operation and Troubleshooting

Rules.....	II
Safety.....	IV
Setup Procedure.....	1-2
Installation & Inspection.....	1-2
Location Requirements.....	1-2
Cabinet Assembly Diagram.....	1-4
Servicing.....	1-6
Game Features.....	1-8
Starting-up.....	1-8
Player Controls.....	1-8
Control Panel Diagram.....	1-8
Game Operations.....	1-9
Control Switches.....	1-9
Control Switch Location Diagram.....	1-9
Menu System Operation.....	1-10
Operation.....	1-10
Main Menu.....	1-10
Diagnostic Tests.....	1-11
Switch Test.....	1-11
DIP Switch Test & Tables.....	1-12
CPU Test & Sound Test.....	1-13
Monitor Patterns Test	1-14
Driver Board Test & Burn-in Test.....	1-15
Coin Bookkeeping.....	1-16
Game Audits.....	1-17
Game Adjustments.....	1-20
Standard Pricing Table.....	1-23
Custom Pricing Table.....	1-24
Utilities.....	1-25
Calibrate Guns.....	1-26
Hardware Info.....	1-27
Adjust Volume.....	1-28
Troubleshooting.....	1-29

Section 2 Parts Information

Cabinet & Manuals.....	2-2
Control Panel Assembly, Electronic Rack, Speakers, Transformer Assembly, Fluorescent Lamp Assembly.....	2-3
Cables & Monitor.....	2-4
Power Supply.....	2-5
Video CPU Board.....	2-6
Video Sound Board.....	2-8
Gun Coil Driver Board.....	2-10
Gun Assembly.....	2-12

Section 3 Diagrams and Schematics

JAMMA Chart.....	3-2
Interboard Wiring Diagram.....	3-3
Power Wiring Diagram & Transformer Chart.....	3-4
Cabinet Wiring Diagram.....	3-5
Gun Coil Driver Board Schematic.....	3-6
Video Sound Board Schematic.....	3-9
Video CPU Board Schematic.....	3-16
Electronic Rack Assembly.....	3-42

SAFETY NOTICES

The following safety instructions apply to all game operators and service personnel. Specific warnings and cautions will be found throughout this manual where they apply. We recommend that you read this page before preparing your game for play.



WEIGHT. This game cabinet weights apx. 425Lbs crated.

MIRROR. This game cabinet contains a front-silvered mirror and a horizontal monitor.

AC POWER CONNECTION. Before connecting the game to the AC power source, verify the "line voltage selection chart" jumper wires are installed correctly for the line voltage in your area. For details refer to Section 3.

PROPERLY GROUND THE GAME. To avoid electrical shocks, do not plug in the game until it has been inspected and properly grounded. MIDWAY games should only be plugged into a grounded 3-wire outlet. Shocks may result if the control panel is not properly grounded! After servicing any parts on the panel, assure that the ground wires are secure. Only then should you lock up the game.

DISCONNECT POWER DURING REPAIRS. To avoid electrical shock, disconnect the game from the AC power source before removing or repairing any part of the game.

USE THE PROPER FUSE. To avoid electrical shock, use the replacement fuse which is specified in the parts list for this game. The replacement fuse must match the original fuse in fuse type, voltage rating, and current rating.

MONITOR PRECAUTIONS. When removing or repairing the monitor, extra precautions must be taken to avoid electrical shock because high voltages may exist within the monitor circuitry and cathode ray tube (CRT) even after power has been disconnected. Do not touch internal parts of the monitor with you hands or metal objects! Always discharge the CRT by the following method: Attach one end of a large, well-insulated, 20kV jumper to ground. Momentarily touch the free end of the grounded jumper to the anode by sliding it under the anode cap. Wait two minutes and discharge the anode again.

TRANSFORMER. This video game uses a monitor that requires an isolation transformer. This transformer also provides power for the gun coils and the audio amp.

HANDLE FLUORESCENT TUBE AND CRT WITH CARE. If you drop a fluorescent tube or CRT and it breaks, it will implode! Shattered glass can fly eight feet or more from the implosion.

ATTENTION !

PROPERLY ATTACH ALL CONNECTORS. *Be sure that the connectors on each printed circuit board (PCB) are properly connected. If they do not slip on easily, do not force them. A reversed connector may damage your game and void the warranty. All connectors are keyed to fit specific pins on each board.*

REVOLUTION X

SECTION
one

Operation

SETUP PROCEDURE

INSTALLATION & INSPECTION

Game Location Requirements	<u>Power</u>	<u>Temp</u>	<u>Humidity</u>
	Domestic 115V @ 60 Hz Foreign 230V @ 50 Hz	32° F to 100° (0° C to 38° C)	Not to exceed 95% relative.

1. Remove all items from the shipping containers and set them aside. Inspect the exterior of the cabinet and the control panel for any damage. Remove the packing material from around the guns.
2. The coin door keys are attached to one of the guns. Unlock and open the coin and cash box doors. Remove the spare parts stored in the cash box and remove the rear door keys located on a key hook inside the coin door.
3. Remove the screws holding the rear door then unlock and remove the door. *Be careful. The marquee and the marquee glass are shipped in a cardboard carton attached to the rear door.* Inspect the cabinet interior for any signs of damage. Check all major assemblies to assure that they are mounted securely.
4. Refer to the Cabinet Wiring Diagram (Section 3), and check to see that all cable connectors are correctly secured. *Do not force connectors.* Watch for damaged connectors and avoid making reversed connections.
5. If a padlock is desired, turn the rear door hasp so that it protrudes from the hole in the back of the cabinet. Remove the two nuts inside the cabinet, at the top and middle of the rear door opening. Then slide the hasp off of the bolts. Turn the hasp, slide it back on the bolts and replace the nuts.
6. Slowly, flip the header forward. *Be careful. Do not let the header slam down onto the cabinet.* Fasten the header into place with two 1/4-20x1-1/2 hex-head bolts (shipped in the cash box). Remove the marquee carton from the rear door. Unscrew and remove the black marquee retaining strip at the top of the header. Fit the marquee into the grooves, then slide the glass in in front of the marquee. Replace the marquee retaining strip.
7. Next, locate the four leg levelers among the spare parts in the cash box. There are four threaded holes on the bottom of the cabinet; one in each corner. Place one leg leveler (with its hex nut) in each of the threaded holes. Lower each leg leveler until the cabinet is stable and level.

!! WARNING !!

The cabinet is top heavy. Do not tilt the cabinet.

8. Determine the value of your line voltage with a meter. Then, check the power input wires to the main power supply transformer. Be sure they are connected to the taps which correspond to your local line voltage value. If necessary, reconnect the power input wires to the transformer in accordance with the Transformer Chart in Section 3.
9. Lay the line cord (connected to the power chassis) in the slot along the bottom edge of the rear cabinet door. Replace the rear cabinet door. Close and lock the front coin and cash box doors. Plug the game into a grounded (3-terminal) AC wall outlet. Switch on the game, using the On/Off switch located on the upper left rear of the cabinet.

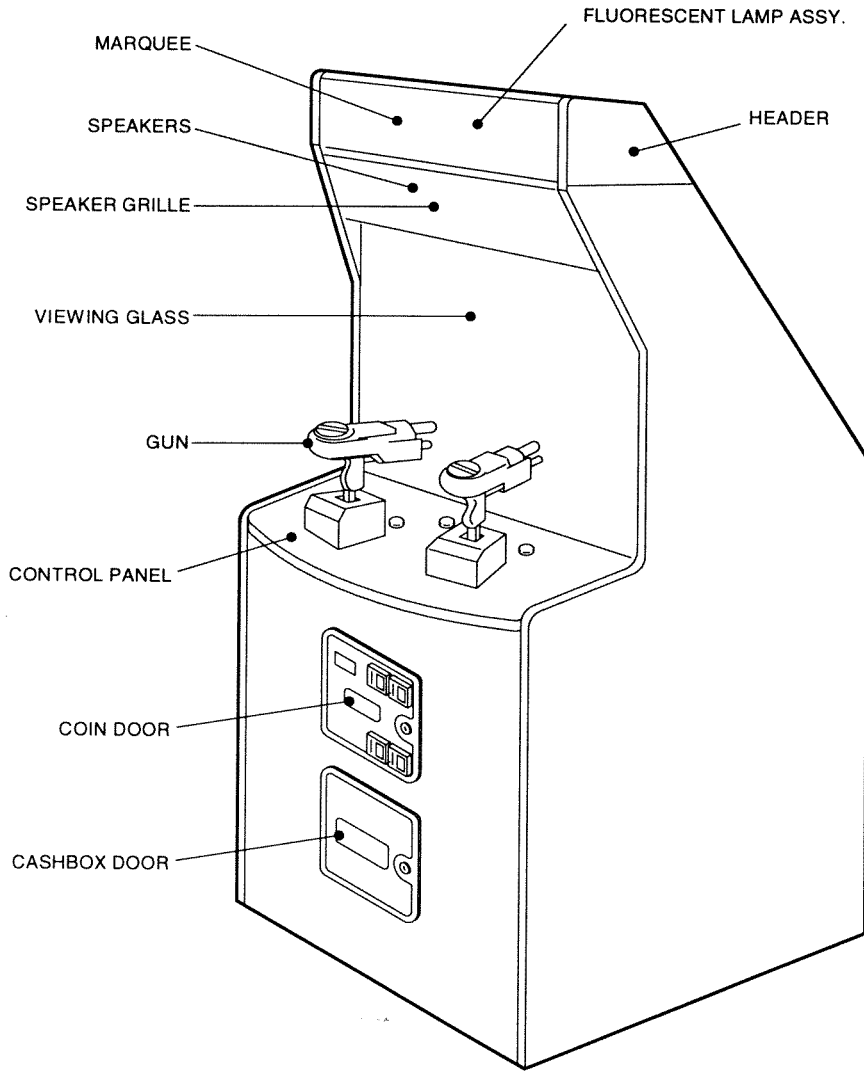
10. If the following message appears on the screen when the game is turned on, the guns must be calibrated.

****CMOS RAM Error**
Unable to read gun calibration values.**

NOTE

*Check the gun calibration when you receive the game. Guns might of been jarred during shipping and be in need of calibration. The guns are calibrated from the factory. However, if you change PC boards or replace ROMs, RAMs, or the battery, they must be re-calibrated. Guns do not operate unless they are calibrated. **DO NOT ATTEMPT TO CALIBRATE BY OPENING THE GUNS AND ADJUSTING THE POTENTIOMETERS MANUALLY. GUN CALIBRATION INSTRUCTIONS ARE ON PAGE 1-26 OF THIS MANUAL.***

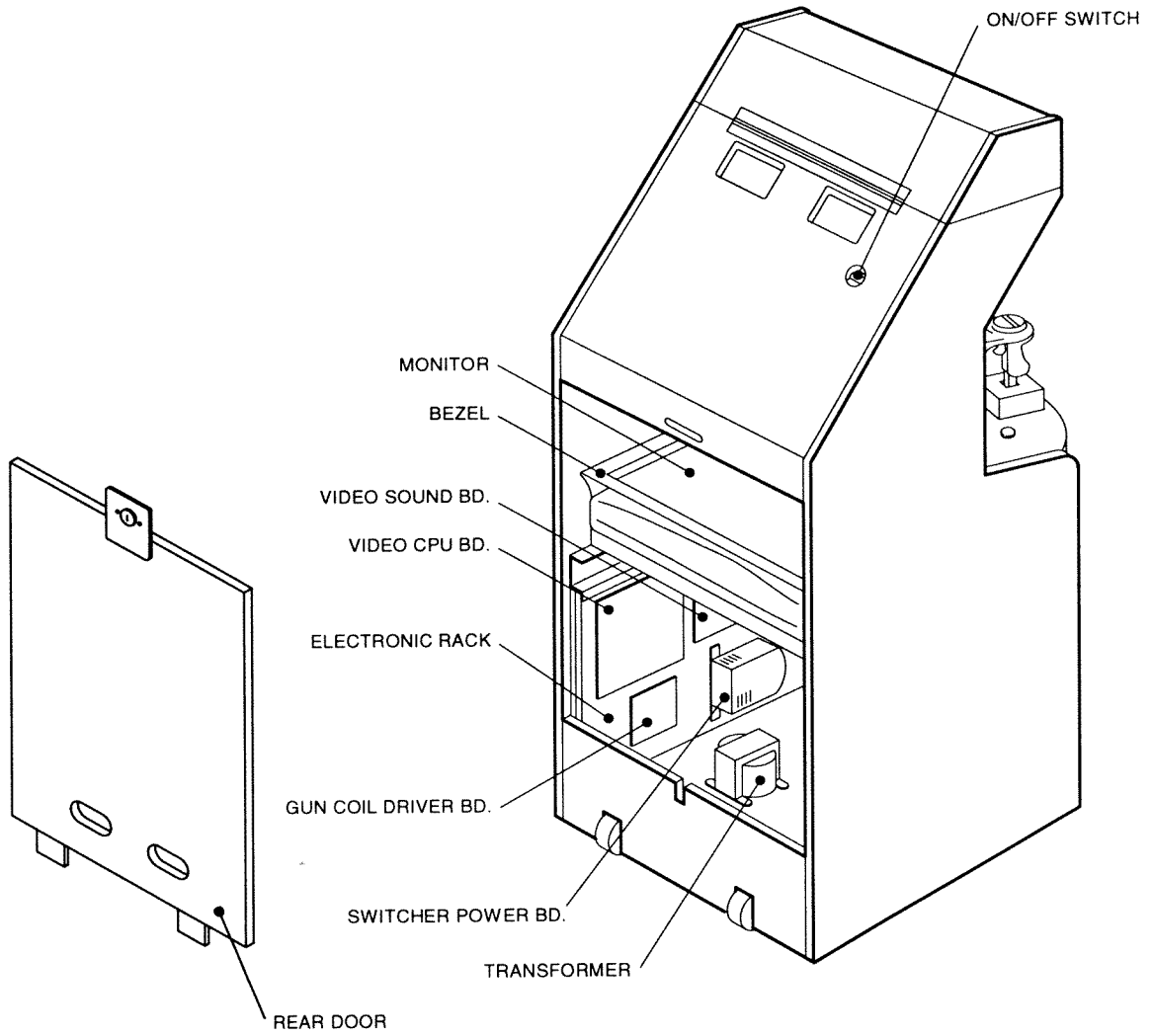
CABINET ASSEMBLY



Front View

1-4

CABINET ASSEMBLY



Rear View
1-5

SERVICING

■ Servicing the Control Panel

Switch off power to the game and open the coin door. The control panel is held in place by four latches (located inside the cabinet) which provide constant pressure on the strikes. To release the latches, reach through the coin door opening toward the right, left and front of the cabinet. Do not reach straight back through the coin door or you could damage the monitor control board. Lift the latch handle and unhook the wire fasteners.

There are three cables with Z-header connectors; one for each gun and one for all of the buttons. Unplug the connectors. Lift the control panel off of the cabinet and place it on a work surface.

To replace the control panel, position it so that it fits in the cabinet opening. Be sure that the cables do not get caught between the cabinet and the underside of the control panel. Carefully, lower it into position. Do not let the guns hit the viewing glass. Reach through the coin door and reconnect the three cables and the four latches.

■ Removal of the Viewing Glass

Switch off power to the game, open the coin door and unlatch the control panel. Carefully, lift and slide the control panel away from the viewing glass. Do not slide the control panel so far as that it could lean back and fall off of the cabinet. Reach the center bottom of the viewing glass and carefully, lift the glass out of its bottom groove and slide it clear of the cabinet. Lower the control panel to its original position.

■ Removal of the Monitor Bezel

Switch off power to the game. Remove the rear door. Remove the two hex-head screws holding the bezel to the monitor bracket. Lift the bezel off of the monitor and slide it out the rear of the cabinet.

■ Monitor Replacement

We recommend that you read the SAFETY NOTICES section thoroughly before beginning this procedure. Switch off power to the game. Remove the rear door and the monitor bezel. Completely disconnect the monitor from all of its cables, including its chassis ground strap. Remove the four bolts securing the monitor's mounting flanges. CAREFULLY, pull the monitor from the back of the cabinet.



CAUTION

This video game uses a monitor that requires an isolation transformer. The monitor does not contain an isolation transformer. It is mounted instead to the Power Chassis Assembly, located on the floor of the cabinet. When servicing the monitor on a test bench, YOU MUST ISOLATE THE MONITOR FROM LINE VOLTAGE WITH AN ISOLATION TRANSFORMER.

THE 25" MONITOR IS HEAVY. BE SURE IT IS FIRMLY SUPPORTED IF IT MUST BE REMOVED FROM THE CABINET.

Removal of the Marquee

Switch off power to the game. Remove the hex-head screws from the black marquee retaining strip located on top of the header. Remove the strip and carefully lift the marquee and the marquee glass from the top of the header. Store the marquee carefully to prevent damage.

Removal of the Fluorescent Light Assembly

Switch off power to the game. Remove the marquee glass and the marquee. The fluorescent bulb is now accessible for replacement. Remove the plastic lamp locks. Grasp the bulb, give it a quarter turn, and remove it from its socket. Carefully, place a new bulb into the socket, and turn to reinstall.

To remove the entire light fixture, disconnect the fluorescent light assembly from its power cable. Remove the screws that hold the assembly to the cabinet then lift out the assembly.

!! WARNING !!

If you drop a fluorescent tube and it breaks, it will implode! Use care in handling.

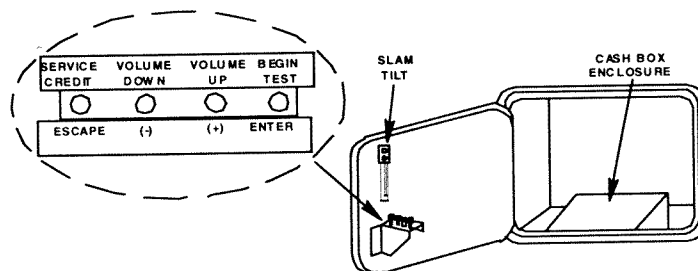
Removal of the Speakers

Switch off power to the game. Remove the marquee and the marquee glass. Unbolt the header from the cabinet and flip it back until it rests on the cabinet. The speakers come out from the top of the cabinet. Be sure to disconnect the cabling and remove the nuts on the mounting screws before attempting to remove the speakers from the enclosure. Carefully, reinstall the seals upon completing any task in the speaker enclosure.

Volume Control, Begin Test Switch, and Service Credit Switch

Open the coin door. The game's volume control and diagnostic push-button switches are located on a small bracket on the door. The volume is controlled by the two center buttons. Press the Volume Up or the Volume Down button until the desired sound level is reached. The Begin Test switch, on the right, activates the game's menu system. The Service Credit switch, on the left, allows credits to be allotted for service testing without affecting the game's bookkeeping total.

CONTROL SWITCHES LOCATION



GAME FEATURES

STARTING UP

Switch on power to the game. A "rug" pattern appears on the CRT screen. When the "rug" pattern ends, the screen shows CHECKING SCRATCH RAMS, and then CHECKING ROMS. The next screen shows **REVOLUTION X** revision level, CMOS test, coin settings and the serial number of the game. The software also performs a security test. If the security test fails, the game will not power up. After the Start-up tests have been successfully completed, the game begins the Attract Mode.

Insert the desired amount of coins, bills or tokens. Select which player receives the credit by pressing the appropriate Start button.

NOTE

When an error is detected during the Start-up tests, game start-up does not progress, and an error message appears on the screen.

PLAYER CONTROLS

Start Button

Each player has two Start buttons located to the left and right of the guns. The Start buttons allow one or two players to begin or continue play.

Guns

Each player has a gun. The guns allow the player to aim for and shoot at moving targets.

Bomb Buttons

Each player has a bomb button located on the front left side of their gun. This button allows the player to fire bombs at targets.

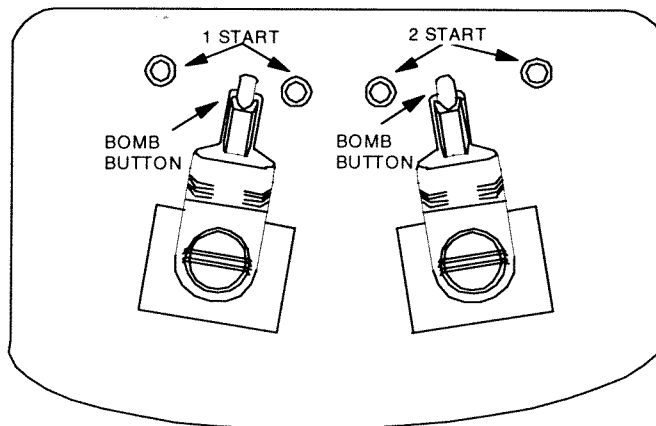
LEDs

Each player has two red LEDs located on each side of their gun. The LEDs are illuminated during game play.

NOTE

*Discover secret weapons by using trigger and Bomb button combinations.
Discover hidden passages and entry ways into unknown areas.*

CONTROL PANEL



GAME OPERATION

The **REVOLUTION X** Control switches are located inside the coin door.

CONTROL SWITCHES

Control switches are located on a bracket inside the coin door. Each control switch (except Slam Tilt) performs two functions: one during normal operation and one during the menu system operation.

NORMAL OPERATION

The **Slam Tilt** switch detects any forceful vibrations against the coin door. This eliminates pounding for free games.

The **Volume Down** and **Volume Up** push-button switches increase or decrease the volume level of the music and speech. The volume level can be adjusted during the Attract Mode or during menu system operation. For greater profits, set your game's volume level at a nice loud setting.

The **Begin Test** push-button switch enters the game's menu system. Press the Begin Test switch to access any of the menu system functions.

The **Service Credit** push-button switch is a special feature switch that allots credit without affecting the game's bookkeeping total.

NOTE

The coin door must be open for the control switches to work.

MENU SYSTEM OPERATION

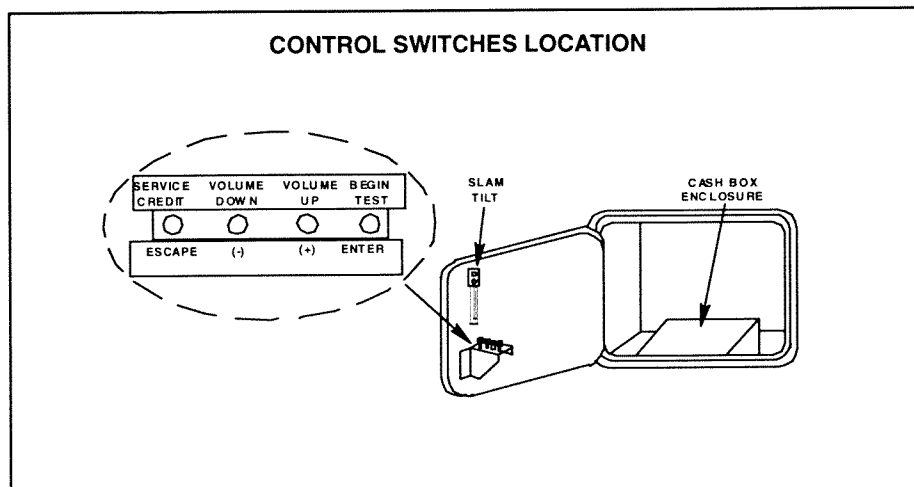
The (-) and (+) push-button switches move the cursor up and down the screen, raise and lower the volume level, and increase and decrease adjustment setting values.

The **Enter** push-button switch moves into the next menu. This switch also locks in an adjustment setting value.

The **Escape** push-button switch backs out of a menu and returns to the previous menu.

NOTE

*Control panel switches can substitute for the control switches in the coin door.
Player 1 Start button = (-); Player 2 Start button = (+); Bomb button = Escape; Trigger = Enter.*



MENU SYSTEM OPERATION

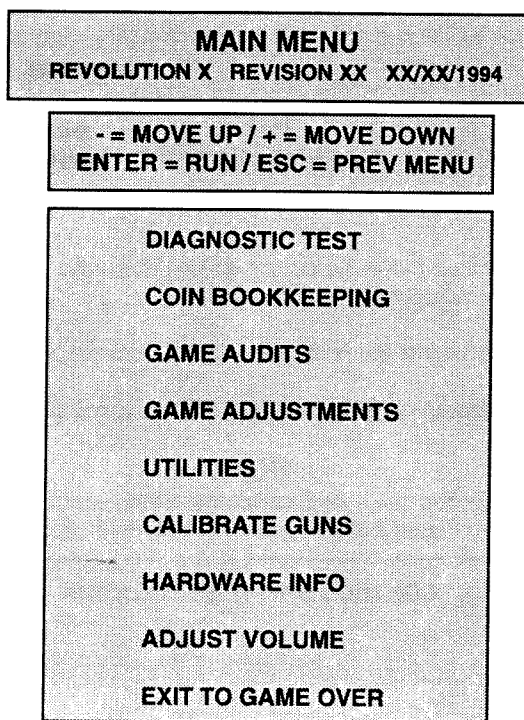
OPERATION

All game audits, adjustments and diagnostics are options of the Main Menu. Each option, in turn, has its own menu that lists several choices which you may act upon as desired.

Press the Begin Test switch on the coin door or close switch #8 of DIP switch bank #2, to open the Main Menu (shown below). Game adjustments, bookkeeping and diagnostics are all accessible from this menu.

Press the (-) button, to move the cursor up the menu screen. Press the (+) button to move the cursor down the screen. Notice that the options are highlighted in sequence. Press the Enter button to open a highlighted option. *Only highlighted options can be opened.*

To exit the Main Menu, press the (-) or (+) button to select EXIT TO GAME OVER, then press the Escape button. **It is necessary to turn off switch #8 of DIP switch bank #2, if this switch was used to enter the menu system.**



DIAGNOSTIC TESTS

To enter the diagnostic tests from the Main Menu, use the (-) or (+) button to highlight Diagnostic Menu, then press the Enter button to open the menu. The Diagnostic Menu is shown below.

DIAGNOSTIC MENU REVOLUTION X REVISION XX XX/XX/1994
- = MOVE UP / + = MOVE DOWN ENTER = RUN / ESC = PREV MENU
SWITCH TEST DIP SWITCH TEST CPU BOARD TEST SOUND BOARD TEST MONITOR PATTERNS DRIVER BOARD TEST BURN-IN TEST RETURN TO MAIN MENU

Switch Test

The Switch Test allows the operator to test the switches on the control panel and in the coin door.

Press the (-) or (+) button to highlight the Switch Test, then press the Enter button to begin the test.

During the Switch Test the top of the screen shows the control panel switches while the bottom of the screen shows the coin door switches. Press a control panel or coin door switch and the switch location on the screen lights. Release the switch and the screen returns to normal.

To exit the Switch Test press the Enter and Escape buttons together, or press the player one Start button and trigger together.

PLAYER 1		PLAYER 2	
Start <input type="radio"/>	<input type="radio"/> Start	Start <input type="radio"/>	<input type="radio"/> Start
	<input type="radio"/> Bomb		<input type="radio"/> Bomb
	<input type="radio"/> Trigger		<input type="radio"/> Trigger
<input type="radio"/> Coin 1	<input type="radio"/> Coin 3	<input type="radio"/> Slam Tilt	<input type="radio"/> Volume Up
<input type="radio"/> Coin 2	<input type="radio"/> Coin 4	<input type="radio"/> Begin Test	<input type="radio"/> Volume Down
<input type="radio"/> Service Credit	<input type="radio"/> Coin Door Interlock	<input type="radio"/> Bill Validator	

SWITCH TEST SCREEN

DIP Switch Test

The DIP Switch Test allows the operator to check or change the position of the DIP Switches on the CPU Board.

Use the (-) or (+) button to select the DIP Switch Test. Press the Enter button to access the DIP Switch Setting Tables. The screen displays the current DIP Switch settings. To change a setting, slide the switch to the desired position, then check the screen to verify the new setting. *In some cases, setting a function to OFF actually enables the function. For example, setting DIP Switch Coinage to Off enables DIP Switch Coinage.*

Press the Escape button to return to the Diagnostic Menu.

DIP Switch 1 (U105) Setting Table

	SW1	SW2	SW3	SW4	SW5	SW6	SW7	SW8
Mirror Display	Off* On							
DIP Switch Coinage CMOS Coinage		Off* On						
Coinage								
USA1 Ger1 Fr1			Off*	Off*	Off*			
USA2 Ger2 Fr2			On	Off	Off			
USA3 Ger3 Fr3			Off	On	Off			
USA4 Ger4 Fr4			On	On	Off			
USAECA GerECA FrECA			Off	Off	On			
N/N N/U N/U			On	Off	On			
N/U N/U N/U			Off	On	On			
Free play Free play Free play			On	On	On			
Credits								
2 to Start - 2 to Continue						Off*	Off*	Off*
1 to Start - 1 to Continue						On	Off	Off
1 to Start - 1 to Continue						Off	On	Off
1 to Start - 2 to Continue						On	On	Off
2 to Start - 1 to Continue						Off	Off	On
2 to Start - 3 to Continue						On	Off	On
3 to Start - 1 to Continue						Off	On	On
1 to Start - 4 to Continue						On	On	On

DIP Switch 2 (U108) Setting Table

	SW1	SW2	SW3	SW4	SW5	SW6	SW7	SW8
Country								
USA	Off*	Off*						
German	On	Off						
French	Off	On						
Not Used	On	On						
Dollar Bill Validator Not Installed Dollar Bill Validator Installed			Off* On					
One Counter Two Counters				Off* On				
Players								
3 Players 2 Players					Off* On			
Rev. X Cabinet T2 Retrofit Cabinet						Off* On		
Video Freeze							Off* On	
Test Switch Game Mode Test Mode								Off* On

* Indicates Factory Setting.

CPU Board Test

The CPU Board Test (much like the Start-up Test) allows the operator to check the RAMS and ROMs.

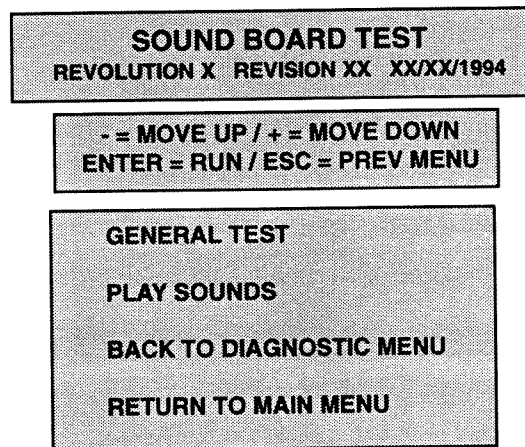
Select the CPU Board Test with the (-) or (+) button, then press the Enter button to start the automatic test of the CPU Board's RAMs and ROMs. When this test is activated, a "rug" pattern appears on the screen. The screen then changes to show the layout of the RAMs, and ROMs. During the test, ROMs or RAMs are good if they turn green: they are faulty if they turn red. The CPU Test pauses when a bad ROM or RAM is detected. Press the (-) or (+) button to continue the test.

This test returns to the Diagnostic Menu automatically.

Sound Board Test

This test allows the operator to listen to some of the sounds this game is capable of producing.

Use the (-) or (+) button to select the test, then press the Enter button to open the test menu. The screen displays two test options. Use the (-) or the (+) button to select an option and press the Enter button to access the option.



GENERAL TEST analyzes the sound circuitry. The screen shows a list of error codes. A successful test causes a single "tone" to sound. Detection of a fault causes a series of tones or no tone at all to sound. Press the Escape button to return to the Sound Test Menu.

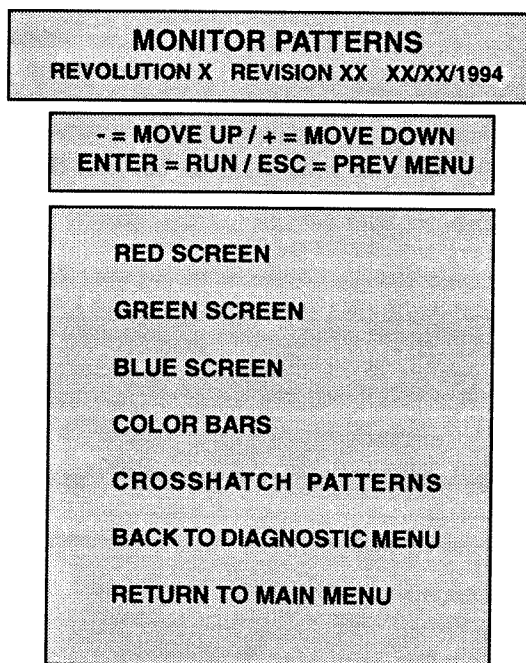
PLAY SOUNDS test synthesized and digitized sounds from the Sound Board. Advance to the next sound with the (-) or (+) button. Repeat a sound by pressing Enter button. Press the Escape button to end the test.

Select RETURN TO MAIN MENU or BACK TO DIAGNOSTIC MENU and press the Escape button.

Monitor Patterns

The Monitor Patterns Test provides a menu for testing the monitor.

Select the test with the (-) or (+) button. Press the Enter button to open the test menu. Once the Monitor Patterns Test menu is open, use the (-) or (+) button to select an option, then press the Enter button access the option.



The **RED**, **GREEN** and **BLUE SCREEN** tests fill the screen with either red, green or blue.

The **COLOR BARS** test fills the screen with several shades of colors to help with red, green and blue level adjustments. Each color should appear sharp and clear.

The **CROSSHATCH PATTERNS** test fills the screen with a grid and a series of dots. The grid and the dots should be clear. The dots should be round.

If any of the Monitor Patterns Test shows a need for adjustment, use the proper knobs on the Monitor Controls Board. Press the Escape button to return to the Monitor Patterns Menu.

Use the (-) or (+) button to select **RETURN TO MAIN MENU** or **BACK TO DIAGNOSTIC MENU**. Press the Escape button to activate the selection.

Driver Board Test

This test provides the operator with a way to test the gun coils and the gun LEDs. Press the (-) or (+) button to select the Driver Board Test. Press the Enter button to begin the test.

The test cycles through and pulses the gun coils and the gun LEDs. As each device is activated the name is displayed on the screen.

Press the Escape button or the Bomb button to return to the Diagnostic Test.

Burn-in Test

The Burn-in Test continually repeats the CPU Board Test. Use this test to find intermittent CPU Board problems.

Press the (-) or (+) button to select the test, then press the Enter to begin the test. When the Burn-in Test detects an error the test stops and an error message is displayed on the screen.

The Audit Table specifies the number of Burn-in cycles that have been successfully completed.

To exit this test, switch the game off, then on again.

COIN BOOKKEEPING

Use the (-) or (+) button to select the Coin Bookkeeping Menu, then press the Enter button to open the menu.

The Coin Bookkeeping Table records the coin box totals and the game play counters.

To exit Coin Bookkeeping, use the (-) or (+) button to select RETURN TO MAIN MENU, then press the Escape button.

COIN BOOKKEEPING	
REVOLUTION X REVISION XX XX/XX/1994	
LEFT SLOT COINS	0
RIGHT SLOT COINS	0
THIRD SLOT COINS	0
FOURTH SLOT COINS	0
SERVICE CREDITS	0
PAID CREDITS	0
TOTAL GAMES STARTED	0
PLAYER STARTS	0
PLAYER CONTINUES	0
TOTAL PLAYER STARTS & CONTINUES	0
PLAYS UNTIL HIGH SCORE RESET	5000
MORE DETAILED DATA RETURN TO MAIN MENU	

COIN BOOKKEEPING	
REVOLUTION X REVISION XX XX/XX/1994	
LEFT SLOT COINS	0
RIGHT SLOT COINS	0
THIRD SLOT COINS	0
FOURTH SLOT COINS	0
TOTAL	0
CLEAR COIN METERS RETURN TO MAIN MENU	

GAME AUDITS

Use the (-) or (+) button to select the Game Audits Menu, then press the Enter button to open it. Page through the available audits by selecting NEXT AUDIT PAGE or PREVIOUS AUDIT PAGE. Select RETURN TO MAIN MENU and press the Escape button to exit Game Audits.

NOTE

Game audits cannot be set. They can only be cleared.

GAME AUDITS	
REVOLUTION X	REVISION XX XX/XX/1994

TOTAL GAMES STARTED	0
TOTAL GAMES ENDED	0
TOTAL PLAY TIME	0
TOTAL GAME UPTIME	0
AVERAGE TIME/CREDIT	0
AVERAGE CREDITS SPENT/GAME	0
TIME 1 PLAYER ONLY	0
TIME 2 PLAYERS SIMULTANEOUS	0

NEXT AUDIT PAGE
RETURN TO MAIN MENU

PAGE ONE OF AUDIT TABLE

GAME AUDITS	
REVOLUTION X	REVISION XX XX/XX/1994

PLAYER STARTS	0
PLAYER CONTINUES	0
TOTAL PLAYER STARTS & CONTINUES	0
GAME CONTINUES OFFERED	0
GAME CONTINUES TAKEN	0
PERCENTAGE OF CONTINUES TAKEN	0
AVERAGE CREDITS SPENT PER PLAYER/GAME	0
COIN DOOR SLAMS	0
BURN-IN LOOPS SUCCESSFULLY COMPLETED	0
START FAILURES	0

NEXT AUDIT PAGE
PREVIOUS AUDIT PAGE
RETURN TO MAIN MENU

PAGE TWO OF AUDIT TABLE

Game Audits continued...

GAME AUDITS	
REVOLUTION X REVISION XX XX/XX/1994	
TOTAL GAMES STARTED	0
REACHED L.A. BTR	0
ENTERED CLUB X	0
REACHED AEROSMITH IN CLUB X	0
COMPLETED CLUB X	0
REACHED HELICOPTER BOSS	0
COMPLETED FLYING BOSS	0
SELECTED MIDDLE EAST	0
COMPLETED MIDDLE EAST	0

NEXT AUDIT PAGE
PREVIOUS AUDIT PAGE
RETURN TO MAIN MENU

PAGE THREE OF AUDIT TABLE

GAME AUDITS	
REVOLUTION X REVISION XX XX/XX/1994	
TOTAL GAMES STARTED	0
SELECTED JUNGLE	0
REACHED JUNGLE BTR	0
REACHED RECEPTIONIST	0
REACHED ELEVATOR	0
REACHED FINAL HALLWAY	0
STARTED BIG CHASE	0
COMPLETED JUNGLE	0

NEXT AUDIT PAGE
PREVIOUS AUDIT PAGE
RETURN TO MAIN MENU

PAGE FOUR OF AUDIT TABLE

Game Audits continued...

GAME AUDITS	
REVOLUTION X	REVISION XX XX/XX/1994
TOTAL GAMES STARTED	0
SELECTED PACIFIC RIM	0
REACHED WAREHOUSE	0
REACHED FACTORY	0
REACHED R & D AREA	0
REACHED MANAGER'S OFFICE	0
COMPLETED PACIFIC RIM	0
REACHED WEMBLEY STADIUM	0
GAMES PLAYED TO COMPLETION	0

NEXT AUDIT PAGE
PREVIOUS AUDIT PAGE
RETURN TO MAIN MENU

PAGE FIVE OF AUDIT TABLE

GAME AUDITS	
REVOLUTION X	REVISION XX XX/XX/1994
TOTAL GAMES STARTED	0
FOUND STEVE TYLER	0
FOUND JOE PERRY	0
FOUND TOM HAMILTON	0
FOUND BRAD WHITFORD	0
FOUND JOEY KRAMER	0
PARTYED BACKSTAGE	0

PREVIOUS AUDIT PAGE
RETURN TO MAIN MENU

PAGE SIX OF AUDIT TABLE

GAME ADJUSTMENTS

The Game Adjustments allow the operator to customize the game.

To select the Game Adjustments Menu press the (-) or (+) button, then press the Enter button to open the menu.

The Game Adjustments Menu offers several options. Each option has several choices. Press the (-) or (+) button to select an option, then press the Enter button to open the option. The next menu screen provides a setting choice. Press the (+) button to increase the setting value and press the (-) button to decrease the setting value. When the desired value is reached, press the Enter button to lock it in.

To exit the Adjustments Menu, use the (-) or (+) button to select RETURN TO MAIN MENU, then press the Escape button.

NOTE

*Game adjustments are explained in more detail on the following page.
Adjustment values set by DIP SWITCH, override adjustment values set by the menu system.*

GAME ADJUSTMENTS MENU REVOLUTION X REVISION XX XX/XX/1994

- = MOVE UP / + = MOVE DOWN
ENTER = RUN / ESC = PREV MENU

RETURN TO MAIN MENU
STANDARD PRICING
CUSTOM PRICING
FREE PLAY
GAME DIFFICULTY
ENERGY PER PLAY
CDS PER PLAY
MINIMUM TIME PER PLAY
VIOLENCE LEVEL
MORE ADJUSTMENTS
RETURN TO MAIN MENU

Game Adjustments

Standard Pricing

Standard pricing allow the operator to choose any of the "standard" selections from the Standard Pricing Table. See page 1-23.

Modify the setting value with the (-) or (+) button. Press the Enter button to lock in the new value and return to the Adjustments Menu.

Custom Pricing

Custom pricing allows the operator to install pricing other than that of the Standard Pricing Table. Custom pricing also allows the operator to select the maximum amount of credits per game, the amount of credits required to start a game, and the amount of credits required to continue a game. This option is being adjusted from the DIP Switch settings. See page 1-24.

Modify the setting value with the (-) or (+) button. Press the Enter button to lock in a new value and return to the Adjustment Menu.

Free Play

This option selects free play. The setting choices for this adjustment are:

- No
- Yes
- Factory Setting: No

Game Difficulty

This option determines the difficulty level of the game play. The setting choices for this adjustment are:

- Easiest Setting: Easy
- Hardest Setting: Hard
- Factory Setting: Medium

Energy Per Play

The amount of energy a player receives each time he starts or continues a game. The setting range is:

- Maximum Setting: 200
- Minimum Setting: 5
- Factory Setting: 150

CDS Per Play

The number of CDS a player receives each time he starts or continues a game. The setting range is:

- Maximum Setting: 99
- Minimum Setting: 10
- Factory Setting: 25

Minimum Time Per Play

The minimum time, in seconds, the player is guaranteed to receive each play. The setting range is:

- Maximum Setting: 300
- Minimum Setting: 5
- Factory Setting: 75

Violence Level

This controls the level of graphic violence. The setting choices are:

- High = Blood is red.
- Medium = All blood is green.
- Low = No blood displayed.
- Factory Setting: High

Game Adjustments continued...

MORE ADJUSTMENTS

This gains access to the following adjustments

Attract Mode Sounds

This determines whether the game has attract mode sounds. The setting choices are:

- Off
- On
- Factory Setting: On

Auto High Score Reset

The All-time High Score Table will be reset to factory values each time this many plays occur. The setting range is:

- Off
- Maximum Setting: 25,000
- Minimum Setting: 250
- Factory Setting: 5000

High Score Entry

This determines whether the game will allow High Score Entry and Display Table. The setting choices are:

- No
- Yes
- Factory Setting: Yes

Set Minimum Volume

This determines the minimum level allowed when setting the volume of the Sound board. The setting range is:

- Maximum Setting: 128
- Minimum Setting: 0
- Factory Setting: 31

STANDARD PRICING TABLE

Name	Setting - Credit/Coin	Left Chute	Center Chute	Right Chute	Fourth Chute
USA 1	1/25¢ (2 to Start; 2 to Continue)	25¢	\$1.00	25¢	
USA 2	1/25¢ (2 to Start; 1 to Continue)	25¢	\$1.00	25¢	
USA 3	1/25¢ (1 to Start; 1 to Continue)	25¢	\$1.00	25¢	
USA 4	1/50¢, 3/\$1.00 (1 to Start; 1 to Continue)	25¢	\$1.00	25¢	
USA 5	1/50¢, 4/\$1.00 (2 to Start; 1 to Continue)	25¢	\$1.00	25¢	
USA 6	1/50¢ (1 to Start; 1 to Continue)	25¢	\$1.00	25¢	
USA 7	1/50¢, 3/\$1.00 (1 to Start; 1 to Continue)	25¢	\$1.00	25¢	
USA 8	1/50¢, 4/\$1.00 (2 to Start; 2 to Continue)	25¢	\$1.00	25¢	
USA ECA	1/25¢, 4/\$1.00 (2 to Start; 2 to Continue)	\$1.00	10¢	25¢	5¢
German 1	1/1DM, 6/5DM	1DM		5DM	
German 2	1/1DM, 7/5DM	1DM		5DM	
German 3	1/1DM, 8/5DM	1DM		5DM	
German 4	1/1DM, 5/5DM	1DM		5DM	
German 5	1/1DM, 6/5DM	1DM		5DM	
German ECA	1/1DM, 2/2DM, 6/5DM	5DM	1DM	2DM	
France 1	2/5F, 5/10F	5F		10F	
France 2	2/5F, 4/10F	5F		10F	
France 3	1/5F, 3/10F	5F		10F	
France 4	1/5F, 2/10F	5F		10F	
France 5	2/5F, 5/10F, 11/2 x 10F	5F		10F	
France 6	2/5F, 4/10F, 9/2 x 10F	5F		10F	
France 7	1/5F, 3/10F, 7/2 x 10F	5F		10F	
France 8	1/5F, 2/10F, 5/2 x 10F	5F		10F	
France 9	1/3 x 1F, 2/5F	1F		5F	
France 10	1/2 x 1F, 3/5F	1F		5F	
France 11	1/3 x 1F, 2/5F, 5/2 x 5F	1F		5F	
France 12	1/2 x 1F, 3/5F, 7/2 x 5F	1F		5F	
France ECA	1/3 x 1F, 2/5F, 5/2 x 5F	1F	10F	5F	
Canada	1/2 x 25¢, 3/\$1.00	25¢		\$1.00	
Swiss 1	1/1F, 6/5F	1F		5F	
Swiss 2	1/1F, 7/5F	1F		5F	
Swiss 3	1/1F, 8/5F	1F		5F	
Italy	1/500 lire	500 lire		500 lire	
UK 1	1/20P, 3/50P	20P		50P	
UK 2	2/20P, 5/50P	20P		50P	
UK ECA	1/20P, 3/50P, 7/£1.00	£1.00	20P	50P	10P
UK Elec w/CCU	1/30P, 2/50P, 4/£1.00	£1.00	20P	50P	10P
Spain 1	1/100 peseta, 6/500 peseta	100 peseta		500 peseta	
Spain 2	1/100 peseta, 5/500 peseta	100 peseta		500 peseta	
Australia 1	1/3 x 20¢, 2/\$1.00	20¢		\$1.00	
Australia 2	1/5 x 20¢, 1/\$1.00	20¢		\$1.00	
Japan 1	1/100 yen	100 yen		100 yen	
Japan 2	2/100 yen	100 yen		100 yen	
Austria 1	1/5 schilling, 2/10 schilling	5 schilling		10 schilling	
Austria 2	1/2 x 5 schilling, 3/2 x 10 schilling	5 schilling		10 schilling	
Belgium 1	1/20F	20F		20F	
Belgium 2	3/20F	20F		20F	
Belgium 3	2/20F	20F		20F	
Belgium ECA	1/20F	50F	5F	20F	
Sweden	1/3 x 1 krona, 2/5 krona	1 krona		5 krona	
New Zealand 1	1/3 x 20¢	20¢		20¢	
New Zealand 2	1/2 x 20¢	20¢		20¢	
Netherlands	1/1 HFI, 3/2.5 HFI	1 HFI		2.5 HFI	
Finland	1/1 markka	1 markka		1 markka	
Norway	1/2 x 1 krone, 3/5 x 1 krone	1 krone		1 krone	
Denmark	1/2 x 1 krone, 3/5 krone, 7/2 x 5 krone	1 krone		5 krone	
Antillies	1/25¢, 4/1 guilder	25¢		1 guilder	
Hungary	1/2 x 10 forint, 3/2 x 20 forint	10 forint		20 forint	

CUSTOM PRICING
REVOLUTION X REVISION XX XX/XX/1994

- = MOVE UP / + = MOVE DOWN
ENTER = RUN / ESC = PREV MENU

RETURN TO ADJ. MENU

(1) LEFT CHUTE UNITS

(1) RIGHT CHUTE UNITS

(1) THIRD CHUTE UNITS

(1) FOURTH CHUTE UNITS

(2) UNITS/CREDITS

(3) UNITS/BONUS

(4) MINIMUM UNITS REQUIRED

(5) CREDITS TO START

(6) CREDITS TO CONTINUE

(7) COINS PER DOLLAR

MAXIMUM CREDITS

RETURN TO ADJ. MENU

- (1) Coins inserted accumulate units. This adjustment specifies the number of units given for each coin in the fourth chute (see "units/credit").
- (2) This is the number of coin units required to buy one credit.
- (3) There is one bonus credit awarded after this many coin units have accumulated.
- (4) No credits will be awarded until this many coin units have accumulated.
- (5) Each player needs this many credits to begin a game.
- (6) Each player needs this many credits to continue a game.
- (7) The detailed bookkeeping screen shows total collections based on this many coins per dollar. (Set to zero to disable the display of money totals.)
- (8) This is the limit for the credit counter. Additional coins inserted will be lost (factory setting: 30).

UTILITIES

The Utilities Menu allows the operator to clear the game's bookkeeping memory and to install a custom message.

To select the Utilities Menu press the (-) or (+) button, then press the Enter button.

UTILITIES MENU REVOLUTION X REVISION XX XX/XX/1994
- = MOVE UP / + = MOVE DOWN ENTER = RUN / ESC = PREV MENU
CLEAR CREDITS CLEAR COIN COUNTERS CLEAR GAME AUDITS RESET HIGH SCORE DEFAULT ADJUSTMENTS FULL FACTORY RESTORE RETURN TO MAIN MENU

Press the player (-) or (+) button to select a utility. Press the Enter button to activate the selection. A dialogue box appears and the operator can choose to reset the utility. For example:

CLEAR CREDITS? ARE YOU SURE?
YES
NO

Press the (-) or (+) button to choose a setting value. Press the Enter button to lock in the new setting value.

To exit the Utilities Menu press the (-) or (+) button to select RETURN TO MAIN MENU, then press the Escape button.

CALIBRATE GUNS

The calibrate Guns option allows the operator to align the guns.

NOTE

Check gun calibration when the game is received. The gun assemblies are calibrated from the factory. However, guns might of been jarred during shipping and may need to be re-calibrated.

If you change boards or replace ROMs, RAMs or the battery, you must re-calibrate the guns. Guns do not operate unless they are calibrated.

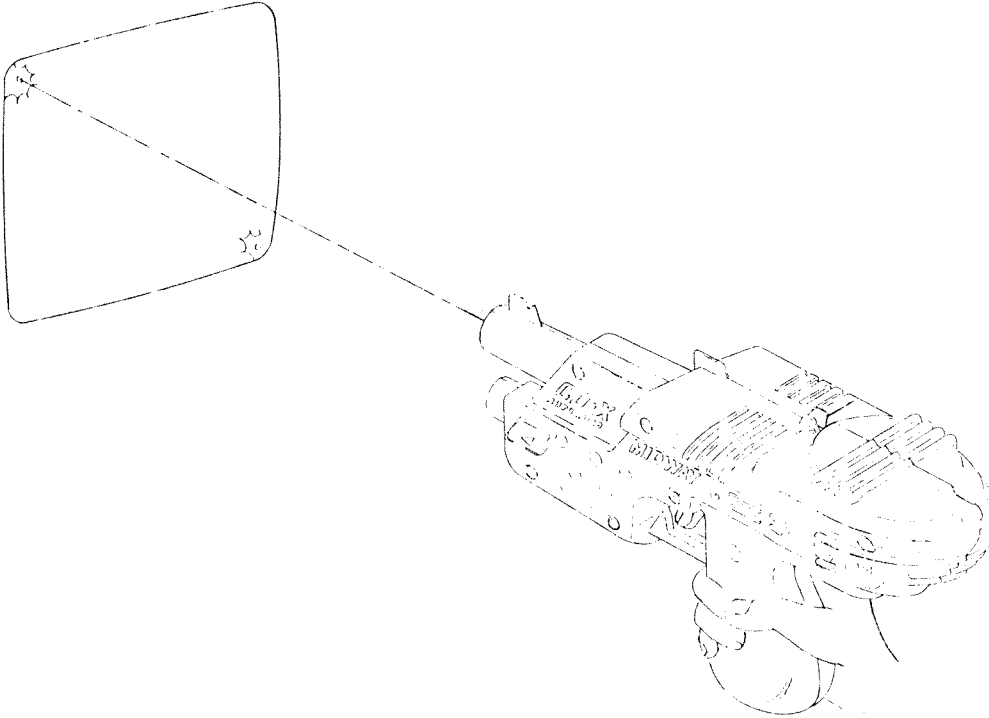
Press the (-) or (+) button to select Calibrate Guns. Press the Enter button to access the option. The screen shows the operator two targets to aim and shoot at. The targets are located at the top left and bottom right of the screen. Calibrate the left gun first, then the right gun.

When the guns are calibrated correctly the message, **-**Calibration Successful**-**, appears on the screen. The data is stored in the CMOS RAM and the game automatically returns to the Main Menu.

If the gun calibration is not successful, the following message appears on the screen:

-CMOS RAM ERROR**-**
Unable to write calibration values.
Guns are not aligned.
Press any button to continue.

Begin again to calibrate the guns. If you make a mistake, press the Escape button to abort the procedure and start over. The screen returns to the Main Menu automatically.



HARDWARE INFO

The Hardware Info option allows access to a screen that shows information specifically about the individual game.

HARDWARE INFO
REVOLUTION X REVISION XX XX/XX/1994

- = MOVE UP / + = MOVE DOWN
ENTER = RUN / ESC = PREV MENU

MIDWAY MANUFACTURING COMPANY

X-UNIT

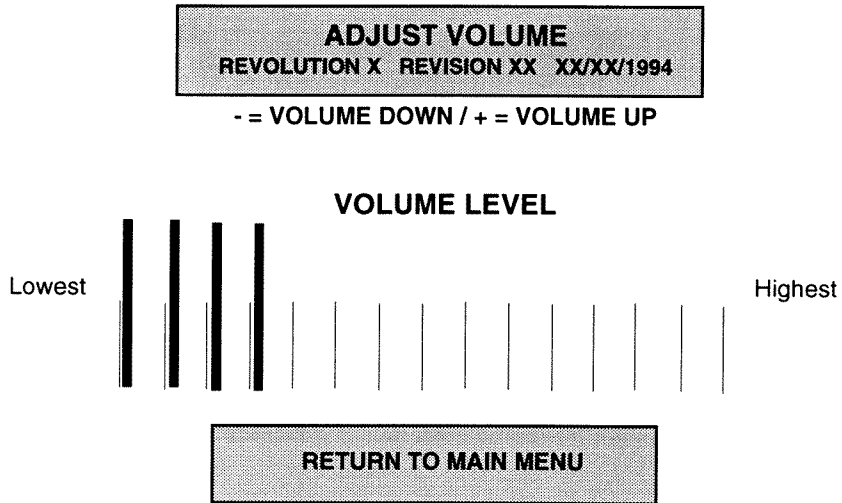
SERIAL NUMBER: XXXXXXXX
DATE OF MANUFACTURE: XX / XX / 1994

RETURN TO MAIN MENU

ADJUST VOLUME

The Adjust Volume feature allows the operator to determine the sound and music level of the game.

Press the (+) button to raise the volume level of the game and the (-) to lower the volume level. The current volume level is shown with a red line. Press the Escape button to return to the Main Menu.



TROUBLESHOOTING

PROBLEM

No picture or distorted picture.

POSSIBLE SOLUTION

Check for faulty video board or monitor. Check for disconnected video signal cable.

Turn game On and nothing happens.

Check line fuse. Check for +5Vdc at pins C, D, 3 and 4 of the JAMMA connector.

No sound.

Check the speaker and the speaker connection to pin L and 10 on the JAMMA connector. Check volume control setting. Check for +12Vdc at pins F and 6 on the JAMMA connector. Check interboard wiring from CPU board to sound board. Also, check the fuse on the sound board.

No general illumination.

Check the 1A, S.B. fuse in the A.C. power pack assembly.

Press start button and nothing happens.

Check for open wires between the button and the CPU board. Check for contamination on CPU board pins or the Start button switch blade contacts. Check for proper ground.

No credit given for number of coins inserted.

Check DIP switch coin settings. Check for contamination on the coin switch contacts. Check for an open wire between Coin Switch 1 and pin 16 on the JAMMA connector or Coin Switch 2 and pin T of the JAMMA connector.

Too many credits for number of coins inserted.

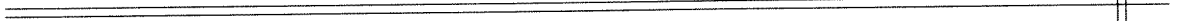
Check the game pricing settings. Check for a short between pins T & 16 on the JAMMA connector.

Game stay in test mode.

Check that the switch #8 of DIP switch bank #2 is set to off.

REVOLUTION X

SECTION
two



Parts

Cabinet Hardware

Cabinet Assembly	A-16200
Lock Retainer Plate	01-7264
Upper Door Lock Cam	01-8989
Leg Leveler Plate	01-9155
Lock Plate	01-11285
Pad Lock Bracket	01-11286
Key Lock Bracket	01-11287
Door Bracket	01-11291
Shaft Caster	02-4404
20" Vent Hole Cover	03-7602
Leg Adjuster, 3.0"	08-7377
Door Cam Lock	20-6542-TB
Toggle Latch	20-9347
Caster Wheel	20-9627
Marquee Hinge	20-9939
Coin Door Assembly	09-50000-33
DBV Adapter Cable - USA	H-18136
Mars DBV Chute	01-11379
Coin Chute Assembly	01-12324
Video Cash Box Tub	03-8863
Vault Door - Blank with Lock	09-41000
Coin Meter with Diode	5580-13476-00
Tamper Proof Screw Tool, T-20	20-9620
#555 Bulb, 6.3V	24-8768
Silver Front Mirror*	31-1900
Screened Viewing Glass	31-1901
Marquee	31-1907-1
Marquee Retainer	03-8252-2
Marquee Glass	08-7786
Interlock Switch	5643-09268-00

**** The mirror is a large tempered VERY HEAVY glass. Servicing should not be needed.***

Manuals

Instruction Manual	16-40019-101
Tamper-proof Screws Sheet	16-9416
DBV Installation Instructions	16-9637
Rear Latch Instructions	16-9718

Control Panel

Control Panel Assembly	A-17033
Gun	A-18027
Control Panel Cable	H-17999
Security Latch Bracket	01-11955
Clear Overlay	03-9086
Red Push-button	20-9687-1
Blue Push-button	20-9687-3
Screened Overlay	31-1903

Electronic Rack

Electronic Rack	A-17876
Power Supply Switcher Assy	A-15202-1
X-unit CPU Board	A-16744-40019
Gun Coil Driver Board	A-17024.1
DCS Sound Board	A-17026-40019

Speakers

Cabinet Speaker Cable	H-17035
Speaker Grille	01-12421
Full Range Speaker	5555-13961-00

Transformer Assembly

Power Pack Assembly	A-17031 - (country)
---------------------	---------------------

Fluorescent Lamp Assembly

Fluorescent Housing & Bracket	A-15890
Lamp Lock	03-8327
18" Fluorescent Bulb, 15W	24-8809

Cables

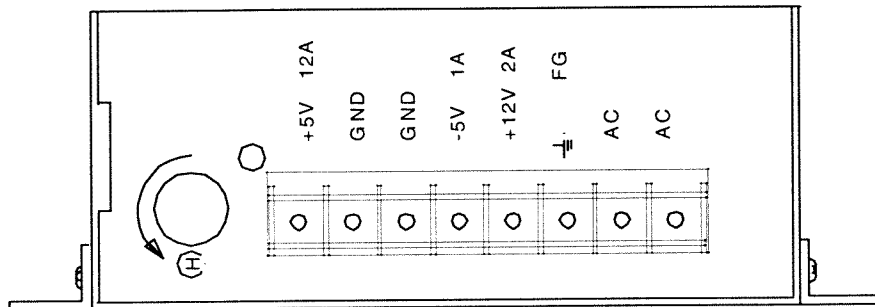
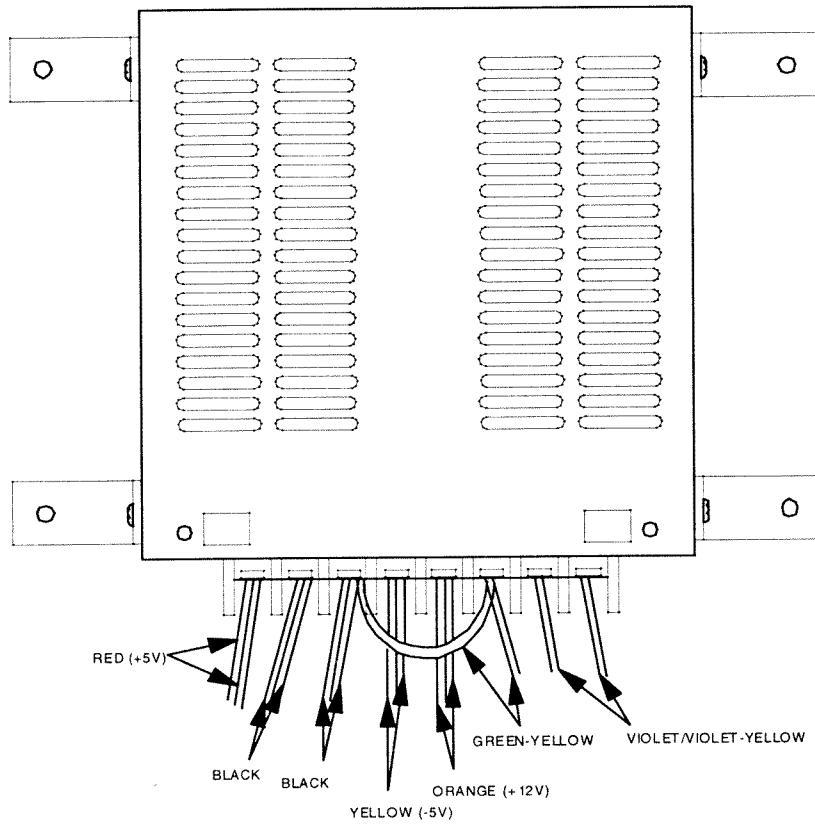
Line Voltage Cable Assembly	A-17877-2
Dixie-Mars Interconnect Cable	H-17019
Cabinet Speaker Cable	H-17035
Main Harness Cable	H-17715.1
Control Panel Cable	H-17999
DBV Adapter Cable - USA	H-18136
20-pin Ribbon Cable	5795-10937-18

Monitor

Monitor Support Bracket, Left	A-14769
Monitor Support Bracket, Right	A-14770
Monitor Bezel	03-8497-2
25" Monitor	5675-12787-05

A-15202-1 Power Supply Switcher Assembly

Part Number	Description
H-17914	Switcher Power Cable
01-10500	Mounting Bracket
01-12162	Shield
20-9920	P/S Switcher Supply



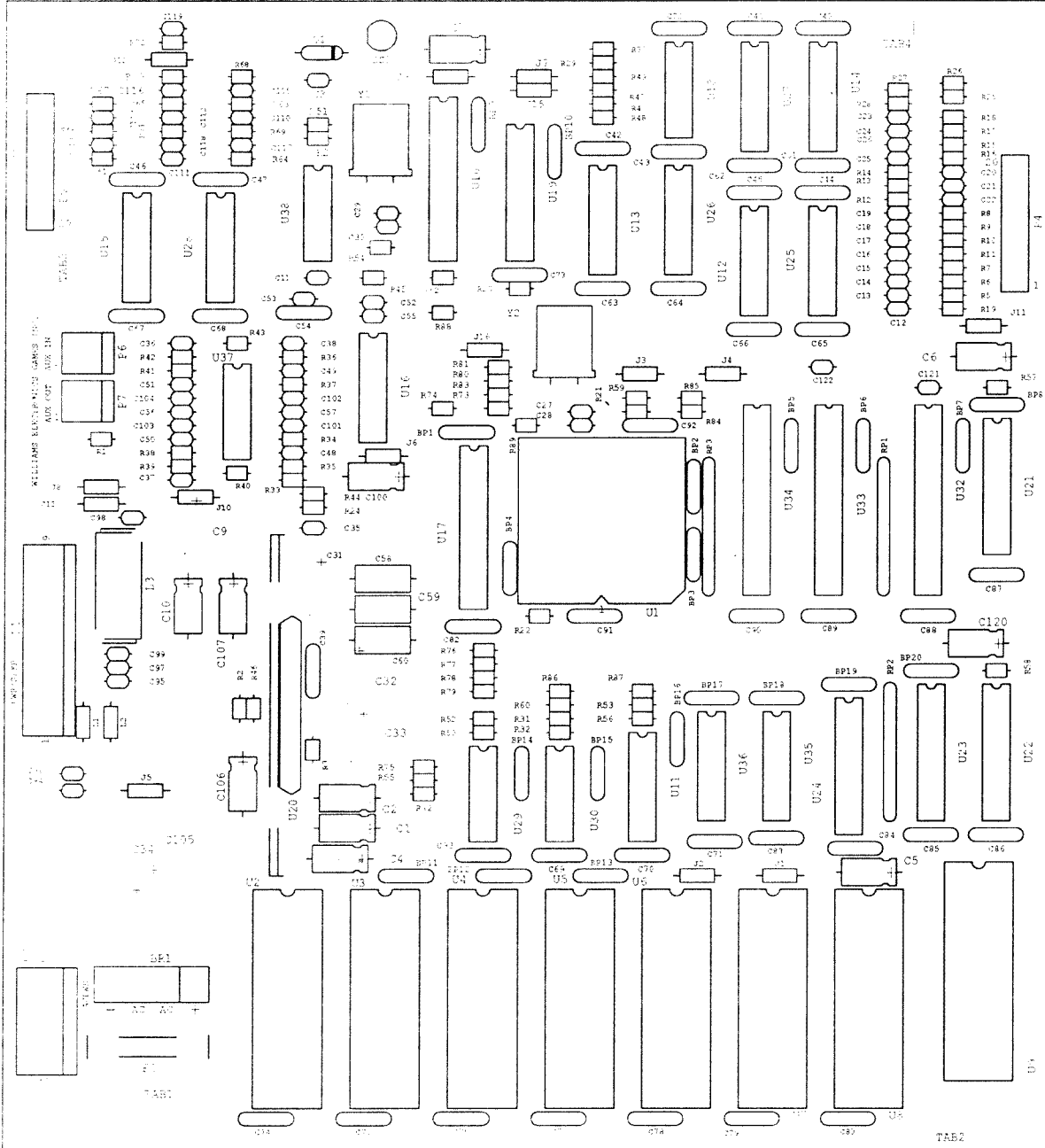
A-16744-40019

X-unit CPU Board Parts

Part Number	Part Designator	Description	Part Number	Part Designator	Description
5020-13637-00	R12, R13, R47 R139-R141, R143-R151, R777	Res., 33Ω, 1/8W, 5%	5372-13323-00	U20	IC., ADC0848, +/-1LSB
5020-13668-00	R25, R31, R36	Res., 15Ω, 1/8W, 5%	5430-13692-00	U7	IC., UART 2691 D28-300
5020-13669-00	R24, R30, R35	Res., 8.2KΩ, 1/8W, 5%	5434-12255-00	U3	IC., Max691 MCS4.65V
5020-13671-00	R1-R8, R48, R91-R138	Res., 470Ω, 1/8W, 5%	5520-13093-00	Y1	Crystal 3.6864MHZ
5020-13672-00	R23, R29, R34	Res., 3.9KΩ, 1/8W, 5%	5521-13603-05	U12	Osc., CMOS 40MHZ
5020-13673-00	R22, R28, R33	Res., 2KΩ, 1/8W, 5%	5521-13806-03	U30	Osc., TTL 8MHZ
5020-13674-00	R80-R86, R142, R153-R157, R180, R401, R410	Res., 330Ω, 1/8W, 5%	5521-13806-04	U59	Osc., TTL 25MHZ
5020-13676-00	R10, R11, R18, R19, R26 R74, R75, R87, R169, R404, R930	Res., 100Ω, 1/8W, 5%	5551-09822-00	L1, L2	Inductor., 4.7μH, 3A
5020-13677-00	R14-R16, R37-R45 R51-R72, R76, R79, R88, R152, R158, R160, R163-R167, R402, R403, R405-R409, R411-R413	Res., 47Ω, 1/8W, 5%	5641-12551-00	S1	Sw., PB, PCB Mount
5020-13735-00	R9, R20, R46, R50, R89-R90, R159, R182-R184, R781-R786, R417, R900, R901	Res., 47KΩ, 1/8W, 5%	5645-09025-00	U105, U108	Sw., DIP, 8 pos.
5022-13761-00	R21, R27, R32	Res., 1KΩ, 1/8W, 2%	5671-13732-00	LED1, LED2	LED, Red
5020-13678-00	L3-L6	Res., 0Ω, 1/8W, 5%	5700-09915-00	U1, U955	Socket, IC, 20-pin, .3"
5019-09362-00	RP1, RP3-RP10, RP12-RP22, RP900-RP902	SIP, 4.7KΩ, 9R, 10, 5%	5700-10176-00	U444	Socket, IC, 28-pin, .6"
5019-13838-00	RP903, RP904	SIP, 47Ω, 5R, 10, 5%	5700-12088-00	U51-U54, U63-U66, U71-U74, U81-U84, U91-U94, U101-U113, U120-U123	Socket, DIP 32-pin, .6"
5019-09669-00	RP23	SIP, 1KΩ, 9R, 10, 5%	5700-12424-00	U5	Socket, 84-pin, PLCC
5050-13679-00	C3, C4, C15-C19, C21, C22, C96-C103, C300, C304, C306	Cap., 10μF, 16V, +80/-20	5700-13173-00	U10	Socket, 44-pin, PLCC
5052-13633-00	C106-C129, C31	Cap., .33μF, 50V, z5u	5791-10862-09	P7	Header, 9-pin str sq, .156
5052-13645-00	C20	Cap., .1μF, 50V, z5u	5791-12461-05	P12	Header, 5-pin str sq, .100
5052-13648-00	C13, C14, C23-C29, C92, C93, C286-C291, C301	Cap., 22pF, 50V, npo, 5%	5791-12461-07	P6	Header, 7-pin str sq, .100
5052-13680-00	C1, C2, C80-C91, C174-C284, C302, C303, C305	Cap., .01μF, +80/-20	5791-12461-10	P10	Header, 10-pin strsq, .100
5052-13681-00	C104, C105	Cap., .001μF, 10%	5791-12461-15	P2-P5	Header, 15-pin strsq, .100
5052-13682-00	C30	Cap., 470pF, npo, 10%	5881-12315-00	B1	Battery Holder, Btn, Sgnl
5052-13683-00	C5-C12, C32-C79, C800-C809	Cap., 100pF, npo, 10%	5880-11056-00	B1	Battery, Lithium, 3V
5287-13689-00	U40, U42, U44, U57 U58, U68, U78	IC., 74ABT374	5733-14113-00	F1	Fuse Holder, 5x20mm
5287-13690-00	U17, U39, U41, U43 U45, U49, U50, U70, U80, U89-U90, U100	IC., 74ABT245	5735-13839-00	F1	Fuse, 250mA, 250V, F.B.
5287-13691-00	U23, U36, U97, U118, U125	IC., 74ABT244	5791-09437-00	P8	100 C 10 x 2
5340-13849-00	U38, U48, U62, U69, U79, U87, U96, U99	IC., V/RAM, 48121	20-9915	JMP1-JMP3, JMP2A, JMP3A, JMP6, R77, R173	Wire Insulated Jumper
5349-13685-00	U15	IC., RAM, STAT-S, 8Kx8	5343-40019-01	U120	IC., EPROM
5349-13686-00	U6, U11, U18, U25	IC., RAM, DYN, 256Kx16	5343-40019-02	U121	IC., EPROM
5349-13687-00	U67, U77	IC., RAM, STAT-S, 32Kx8	5343-40019-03	U122	IC., EPROM
5400-13684-00	U19	IC., MPU-GSP, 34020	5343-40019-04	U123	IC., EPROM
5410-12862-00	U76	IC., Custom Video, DMA2	5343-40019-05	U110	IC., EPROM
5280-08974-00	U75	IC., 7406 Hex Inv Oc	5343-40019-06	U111	IC., EPROM
5281-09733-00	U37, U116, U117, U336	IC., 74LS174 Hex F/F	5343-40019-07	U112	IC., EPROM
5281-09737-00	U55	IC., 74LS86 Quad Xor	5343-40019-08	U113	IC., EPROM
5281-09851-00	U9	IC., 74LS14 Smt/Trg	5343-40019-09	U101	IC., EPROM
5283-10552-00	U29	IC., 74F04 Inverter	5343-40019-10	U102	IC., EPROM
5283-12489-00	U32	IC., 74F32 Quad Or	5343-40019-11	U103	IC., EPROM
5283-13737-00	U16	IC., 74F138 3/8 Dmx Dip	5343-40019-12	U104	IC., EPROM
5315-12031-00	U88, U95, U106, U107, U114, U115, U119, U124	IC., 74HCT244	5343-40019-13	U91	IC., EPROM
5317-12208-00	U14, U47, U98	IC., 74ALS245 Xovr	5343-40019-14	U92	IC., EPROM
5317-13736-00	U22, U28, U56, U86	IC., 74ALS374 Dip 20	5343-40019-15	U93	IC., EPROM
5317-13738-00	U21, U27, U61, U85, U445	IC., 74ALS244 Dip 20	5343-40019-16	U94	IC., EPROM
5340-12958-00	U2	IC., 26LS31 Bal Drvr	5343-40019-17	U81	IC., EPROM
5340-12959-00	U4	IC., 26LS32	5343-40019-18	U82	IC., EPROM
5370-12602-00	U46	IC., ULN 2064B	5343-40019-19	U83	IC., EPROM
			5343-40019-20	U84	IC., EPROM
			5343-40019-21	U71	IC., EPROM
			5343-40019-22	U72	IC., EPROM
			5343-40019-23	U73	IC., EPROM
			5343-40019-24	U74	IC., EPROM
			5343-40019-25	U63	IC., EPROM
			5343-40019-26	U64	IC., EPROM
			5343-40019-27	U65	IC., EPROM
			5343-40019-28	U66	IC., EPROM
			5343-40019-29	U51	IC., EPROM
			5343-40019-30	U52	IC., EPROM
			5343-40019-31	U53	IC., EPROM
			5343-40019-32	U54	IC., EPROM
			A-17719	U5*	IC., PLD PLS1 1032 Assy
			A-17720	U10*	IC., PLD MACH 110 Assy
			A-17721	U955*	IC., PLD 16V8 Assy
			A-17722	U1*	IC., PLD 16L8 Assy
			5400-13823-00	U444*	PIC1657

*NONUSER SERVICEABLE/REPLACEABLE PARTS

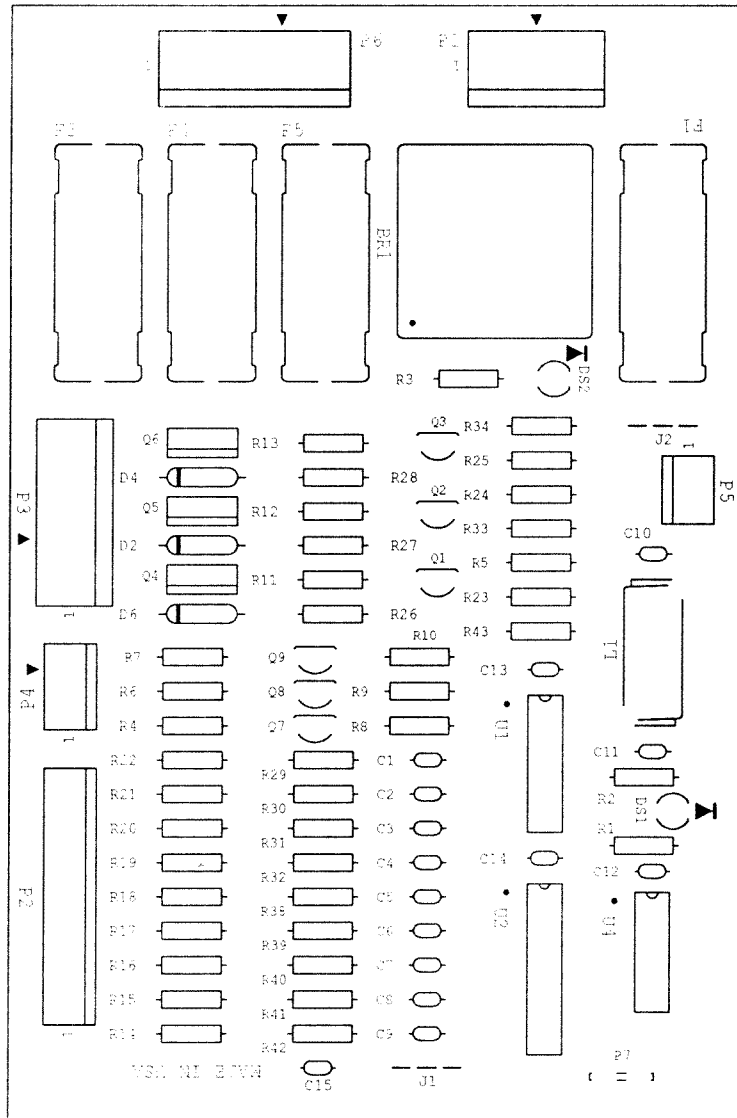
A-17026-40019 Sound Board Assembly



A-17026-40019 Sound Board Parts

Part Number	Part Designator	Description	Part Number	Part Designator	Description
20-9915	J1, J4, J6, J8, J9, J10, J13, J16	Jumper Wire, Insulated	A-17481	U17	IC., PLD 20V8 Assy
5010-13361-00	R1	Res., 1K Ω , 1/8W, 2%	5400-13298-00	U1	IC., MPU 2105KP-40
5010-13363-00	R45, R51, R57-R62	Res., 100 Ω , 1/8W, 5%	5735-13853-00	F1	Fuse, 250V, 2A, S.B.
5010-13365-00	R21-R23, R31, R32, R50, R53, R55, R56, R73-R75, R88	Res., 4.7K Ω , 1/8W, 5%	A-5343-40019-33	U2	IC., EPROM
5010-13371-00	R52	Res., 330 Ω , 1/8W, 5%	A-5343-40019-34	U3	IC., EPROM
5010-13472-00	R63-R72, R76-R87, R89	Res., 47 Ω , 1/8W, 5%	A-5343-40019-35	U4	IC., EPROM
5010-13844-00	R3, R20, R54	Res., 100K Ω , 1W, 5%	A-5343-40019-36	U5	IC., EPROM
5010-13858-00	R2	Res., 820 Ω , 1/8W, 5%	A-5343-40019-37	U6	IC., EPROM
5010-13962-00	R46	Res., 12K Ω , 1/8W, 5%	A-5343-40019-38	U7	IC., EPROM
5013-13842-00	R33-R44	Res., 6.19K Ω , 1/8W, 1%	A-5343-40019-39	U8	IC., EPROM
5010-13841-00	R24	SIP, 47K Ω , 1/8W, 5%	A-5343-40019-40	U9	IC., EPROM
5019-10661-00	RP1-RP3	SIP, 10K Ω , 9R, 5%			
5040-09343-00	C1, C2, C4-C7, C10, C100, C106, C107, C120	Cap., 10 μ F, 20V, +/-20%			
5043-08996-00	BP1-BP9, BP11-BP20, C3, C39, C40, C46, C47, C52-C57, C65, C67-C71, C73-C80, C82-C99, C121, C122	Cap., .1 μ F, 50V, +/-20%			
5045-12926-00	C58-C60	Cap., .1 μ F, 100V, 10%			
5048-11028-00	C27-C30	Cap., 22pF, 50V			
5048-13375-00	C11, C110-C119	Cap., 100pF, 50V, 10%			
5048-13608-00	C51	Cap., 6800pF, 50V, 5%			
5048-13609-00	C48-C50	Cap., 3900pF, 50V, 5%			
5048-13610-00	C35-C38	Cap., 1000pF, 50V, 5%			
5048-13611-00	C101-C104	Cap., 680pF, 50V, 5%			
5040-09421-00	C9, C31, C32	Cap., 100 μ F, 25V, +50/-10			
5040-09506-00	C33	Cap., 220 μ F, 16V, +50/-10			
5040-13417-00	C105	Cap., 10,000 μ F, 35V			
5070-08919-00	D1	Diode, 1N4148			
5556-12513-00	L1, L2	Ferrite Bead, t & reel			
5551-09822-00	L3	Inductor, 4.7 μ H, 3A			
01-10516	HSNK1	Heatsink			
20-9690-18		Standoff, Spacer PCB			
4006-01003-06		MS, 6-32x3/8 P-PH-S			
4406-01128-00		Nut, 6-32 KEPS			
5100-13945-02	BR1	Bridge Diode SIP, 200V			
5280-08974-00	U29	IC., 7406			
5283-10551-00	U30	IC., 74F00			
5311-10948-00	U11	IC., 74HC138			
5311-12043-00	U35, U36	IC., 74HC174			
5311-12287-00	U21-U23	IC., 74HC541			
5311-12538-00	U38	IC., 74HC14			
5287-13966-00	U24	IC., 74ABT245			
5340-12958-00	U28	IC., 26LS31			
5340-12959-00	U15	IC., 74LS32			
5340-13304-00	U32-U34	IC., RAM, STATIC 2Kx8			
5370-12730-00	U37	IC., TL084, op-amp			
5370-13308-00	U20	IC., Audio Amp MB, 3731			
5371-13299-00	U16	IC., AD-1851, 16 bit mono			
5430-13692-00	U10	IC., UART/DUAL 2691			
5700-12047-00	U17	Socket, IC., 24-pin, .300			
5700-12088-00	U2-U9	Socket, IC., 32-pin, .600			
5700-12533-00	U1	Socket, IC., 68-pin, PLCC			
5520-13093-00	Y1	Crystal, 3.6864MHZ			
5520-13301-00	Y2	Crystal, 10MHZ			
5671-13732-00	DS1	LED, Red			
5791-09437-00	P5	Conn., 20HCN, 2x10 st.			
5791-10862-05	P3	Conn., 5H, str sq pin., 156			
5791-10862-09	P1	Conn., 9H, str sq pin., 156			
5733-13826-00	F1	Fuse Holder, 5x20mm			

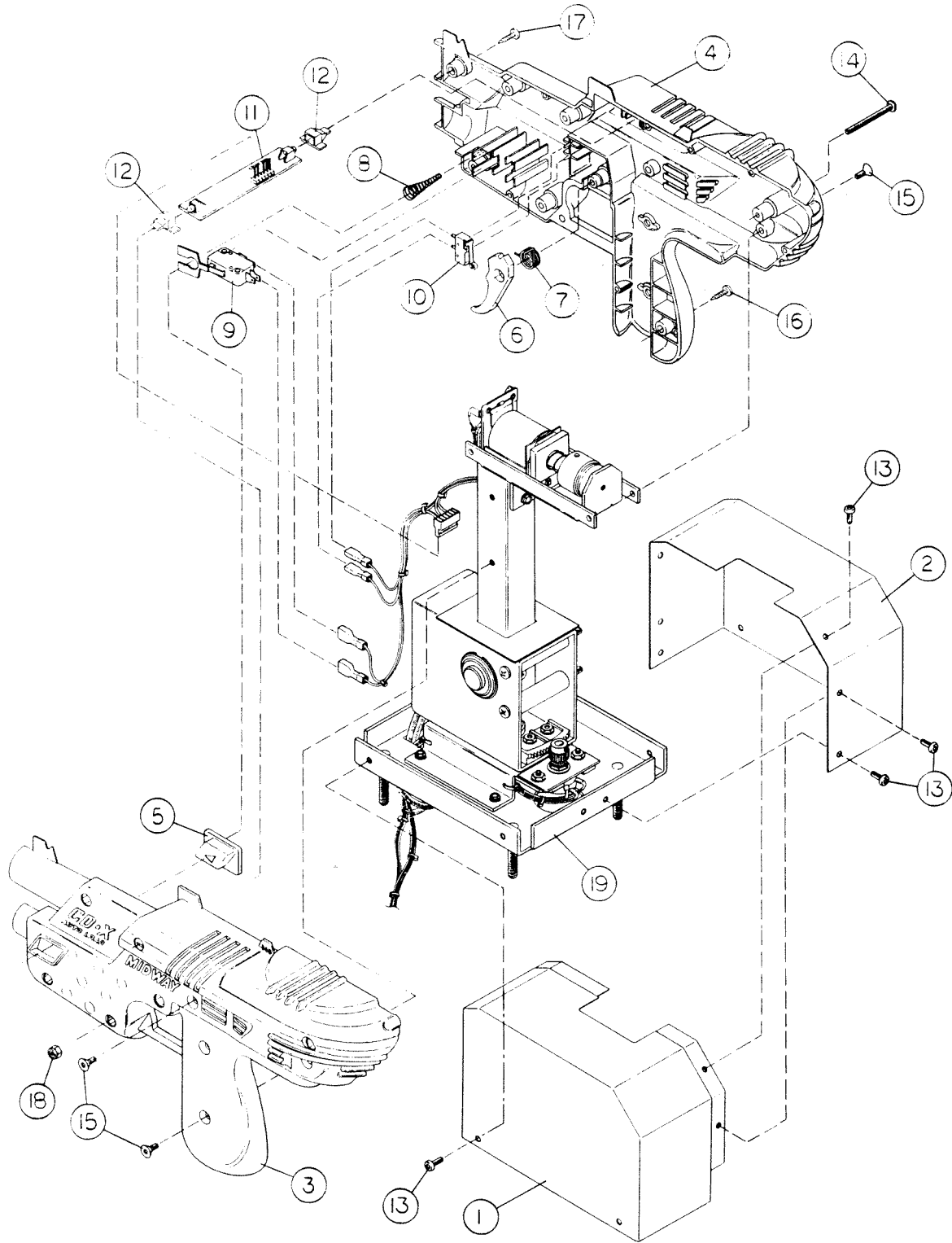
A-17024.1 Gun Coil Driver Board Assembly



A-17024.1 Gun Coil Driver Board Parts

Part Number	Part Designator	Description
5100-09690-00	BR1	Bridge, 35A, 100V
5791-10862-05	P1	Conn., 5-pin, .156
5791-12461-15	P2	Conn., 15-pin, .100
5791-12461-04	P5	Conn., 4-pin, .100
5791-10862-07	P3, P6	Conn., 7-pin, .156
5791-12461-00	P4	Conn., 5-pin, .100
5048-13375-00	C1-C11	Cap., 100pF, 50V, +/-20%
5043-08980-00	C12-C15	Cap., .01 μ F, 50V, +80/-20%
5070-09054-00	D2, D4, D6	Diode, 1N4004, 1.0A
5733-12060-01	F1, F3, F4, F5	Fuse Holder
5731-09651-00	F1	Fuse, 5A, 250V, S.B.
5731-14144-00	F3, F4, F5	Fuse, 1.8A, 250V, S.B.
5551-09822-00	L1	Inductor, 4.7 μ H, 3.0A
5671-13732-00	DS1, DS2	LED, Red
5434-12255-00	U1	IC., MAX691
5311-12688-00	U2	IC., 74HCT273
5311-12669-00	U4	IC., 74HCT14
5162-12635-00	Q4, Q5, Q6	Trans., TIP 102, 100V, 8A
5190-09016-00	Q7, Q8, Q9	Trans, 2N4403
5160-10269-00	Q1, Q2, Q3	Trans., 2N3904
5010-09187-00	R4, R6, R7	Res., 150 Ω , 5%
5010-09085-00	R8, R9, R10	Res., 1.5K Ω , 5%
5010-08998-00	R3	Res., 2.2K Ω , 5%
5010-08997-00	R26, R27, R28	Res., 2.7K Ω , 5%
5010-09001-00	R2	Res., 330 Ω , 5%
5010-09416-00	R14-R25	Res., 470 Ω , 5%
5010-08991-00	R1, R5, R29-R34, R38-R43	Res., 4.7K Ω , 5%
5010-12480-00	R11, R12, R13	Res., 68 Ω , 5%

A-18027 Gun Assembly



A-18027 Gun Parts

Item	Part Number	Description
1	01-13026	Base Housing, Left
2	01-13027	Base Housing, Right
3	03-8986	Gun Housing, Molded Left
4	03-8987	Gun Housing, Molded Right
5	03-8989	Bomb Button
6	03-8988	Trigger
7	10-465	Spring, Trigger
8	10-466	Spring, Bomb Button
9	A-18603	Switch, Bomb Button
10	5647-12693-06	Switch, Trigger
11	A-18834	LED Board Assembly
12	03-9230-9	LED Extension
13	4008-01090-06B	TS, 8-32 x 3/8 PH-Trx-TP Typ23 Blk (10)
14	4008-01093-22B	MS, 8-32 x 1-3/8 TPR Black (6)
15	4010-01148-06B	MS, 10-32 x 3/8 FH Torx TP Black (6)
16	4010-01148-10B	MS, 10-32 x 5/8 FH Torx TP Black (4)
17	4108-01092-10B	SMS, #8 x 5/8 #1 Riser PH-T-20 TP Blk (2)
18	4408-01119-00B	Nut, 8-32 ESNA Black (6)
19	Gun Mechanism Parts	
a)	AE-23-800-08	Coil Assembly
b)	03-7067-5	Tubing, Plastic
c)	23-6735	Bumper, Plunger Rev X Gun
d)	01-13028	Solenoid Bracket
e)	23-6736	Bumper, Recoil Pad Rev X Gun
f)	10-482	Spring, Compression
g)	02-5059	Plunger
h)	20-10105	Bumper, 3/4" Diameter
i)	5014-12909-00	Potentiometer (2)
j)	03-8528-1	Gear, Segment, 32DP
k)	20-10107	Gear, Segment, Hubless
m)	20-10106	Gear, Spur
n)	03-9202	Spacer
p)	20-10108	Bumper
q)	03-9203	Disk, Plastic Washer
r)	20-10109	Bearing, .625 Bore (4)

REVOLUTION X

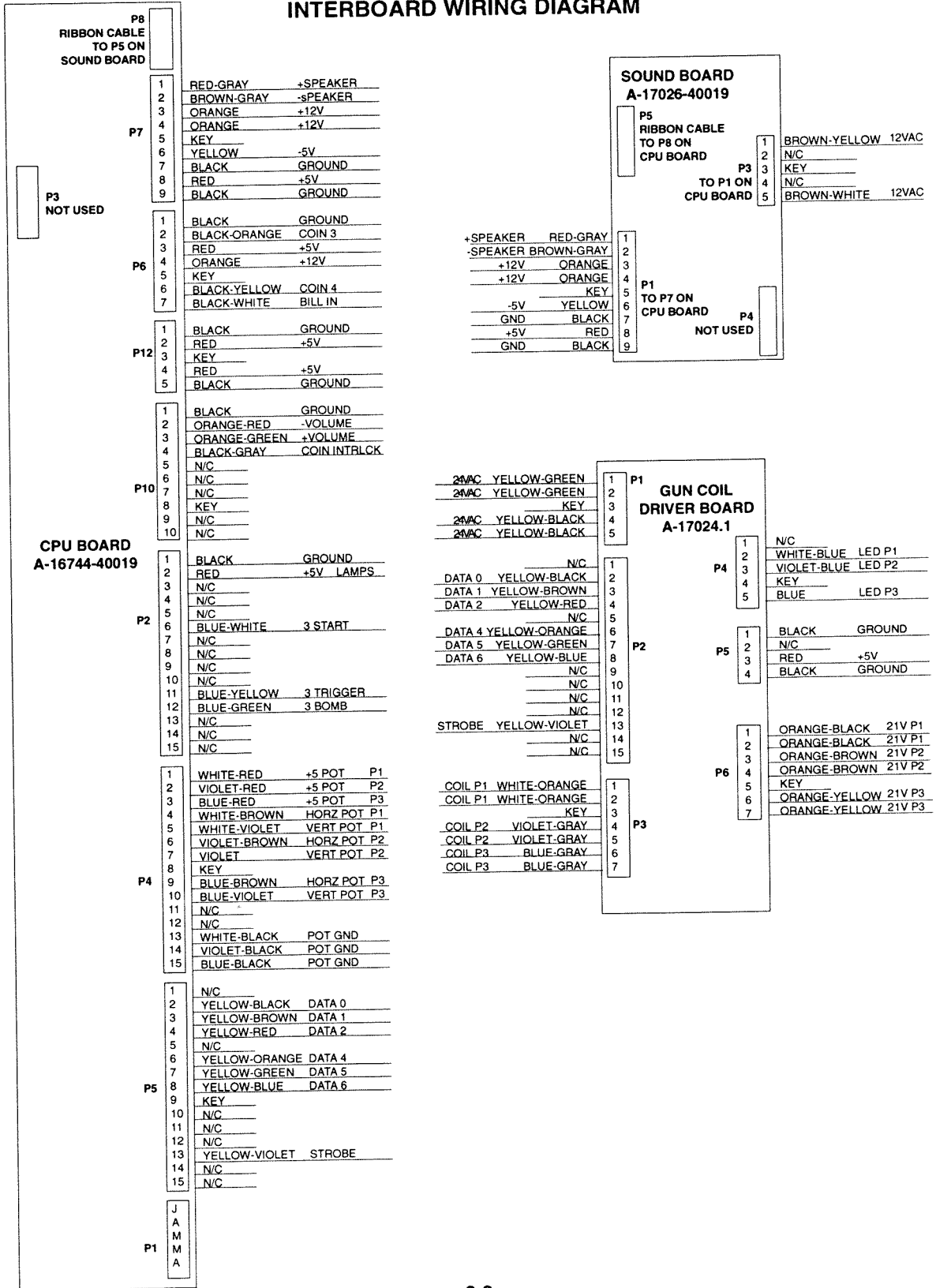
SECTION
three

Wiring Diagrams and Schematics

JAMMA CHART

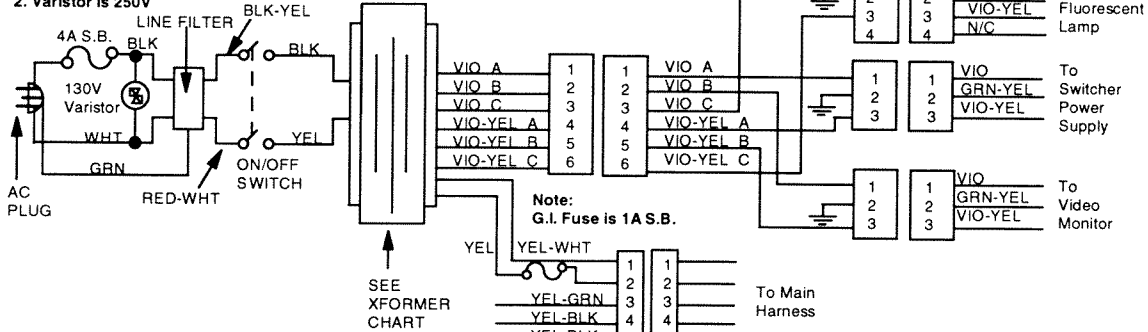
Function	Wire Color	Pin	Pin	Wire Color	Function
Ground	Black	1	A	Black	Ground
Ground	Black	2	B	Black	Ground
+5Vdc	Red	3	C	Red	+5Vdc
+5Vdc	Red	4	D	Red	+5Vdc
-5Vdc	Yellow	5	E	Yellow	-5Vdc
+12Vdc	Orange	6	F	Orange	+12Vdc
	Key	7	H	Key	
Meter 1	Brown	8	J	Brown-Red	Meter 2
	N/C	9	K	N/C	
Speaker (+)	Red-Gray	10	L	Brown-Gray	Speaker (-)
	N/C	11	M	N/C	
Video Red	Red	12	N	Green	Video Green
Video Blue	Brown	13	P	White	Video Sync
Video Ground	Shield	14	R	White-Gray	Service Switch
Test Switch	Black-Blue	15	S	Black-Green	Tilt Switch
Coin 1	Black-Brown	16	T	Black-Red	Coin 2
Start 1	White	17	U	Violet-White	Start 2
	N/C	18	V	N/C	
	N/C	19	W	N/C	
	N/C	20	X	N/C	
	N/C	21	Y	N/C	
1 Push 1	White-Yellow	22	Z	Violet-Yellow	2 Push 1
1 Push 2	White-Green	23	a	Violet-Green	2 Push 2
	N/C	24	b	N/C	
	N/C	25	c	N/C	
	N/C	26	d	N/C	
Ground	Black	27	e	Black	Ground
Ground	Black	28	f	Black	Ground

INTERBOARD WIRING DIAGRAM



POWER WIRING DIAGRAM

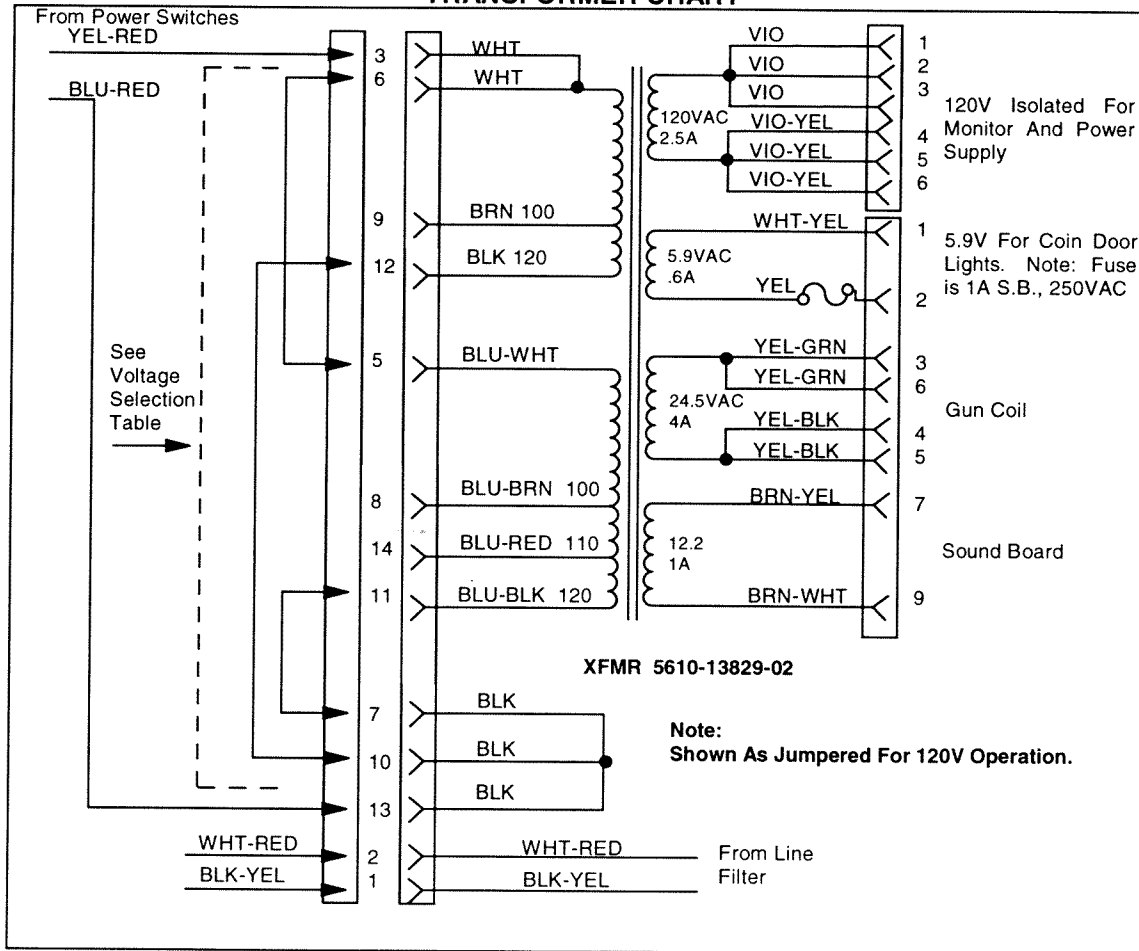
Note:
For 230VAC Operation
1. Fuse is 2A S.B.
2. Varistor is 250V



VOLTAGE SELECTION TABLE

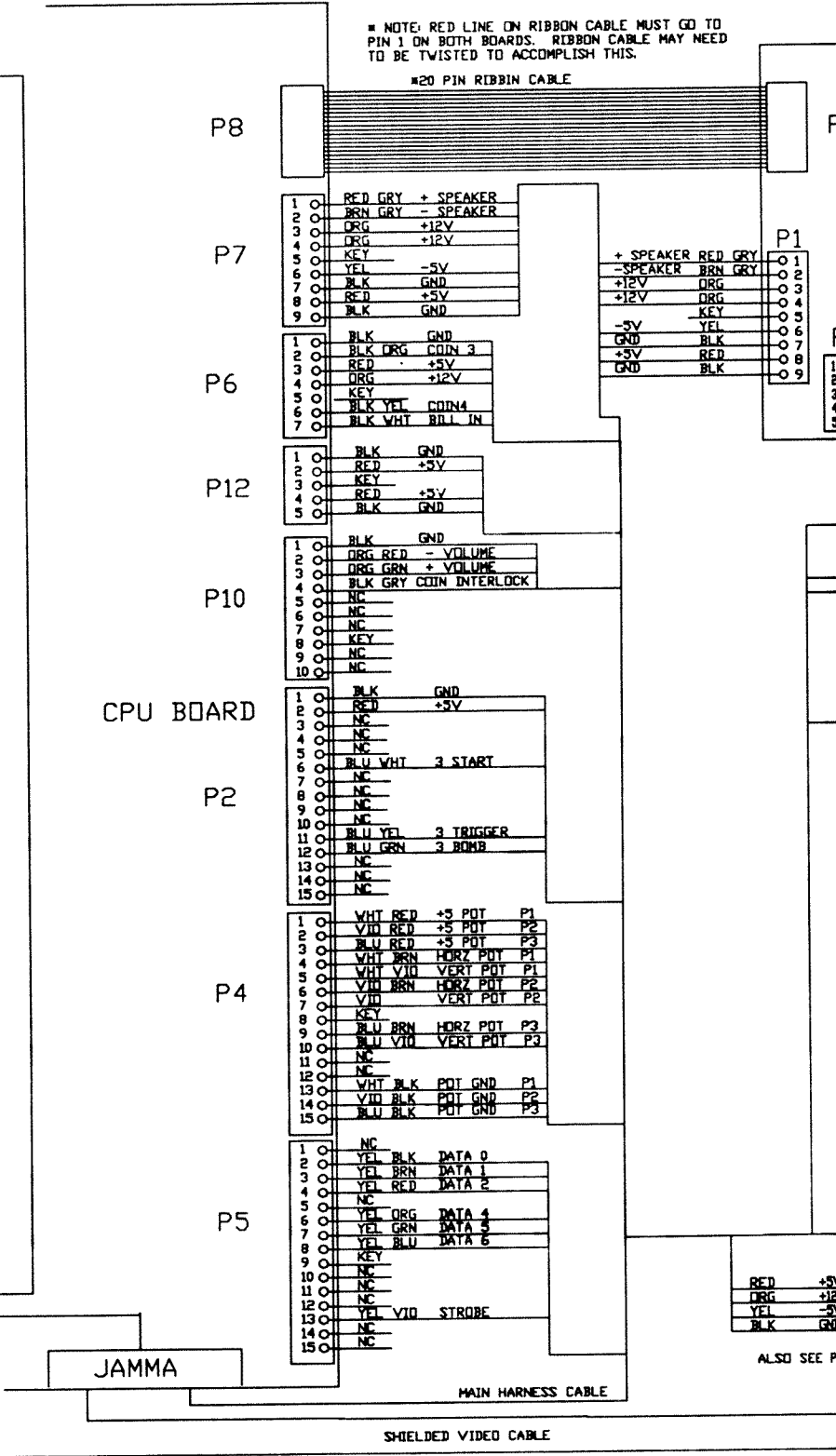
Voltage	Jumper Pins	Varistor	Fuse
100	5-6, 7-8, 9-10	130V	5A S.B.
120	5-6, 7-11, 10-12	130V	5A S.B.
200	5-9, 10-8	275V	3A S.B.
210	5-9, 10-14	275V	3A S.B.
220	5-9, 10-11	275V	3A S.B.
230	5-12, 10-14	275V	3A S.B.
240	5-12, 10-11	275V	3A S.B.

TRANSFORMER CHART



CABINET WIRING

BLK	01	OA
BLK	02	OB
BLK	03	OC
RED	04	OD
RED	05	OE
YEL	06	OF
ORG	07	OH
KEY	08	OJ
BRN	09	OK
BRN RED	10	OL
NC	11	OM
RED GRY	12	ON
BRN GRY	13	OP
NC	14	OR
SHIELD	15	OS
WHT GRY	16	OT
BLK BLU	17	OU
BLK GRN	18	OV
BLK BRN	19	OW
BLK RED	20	OX
WHT	21	OY
VID WHT	22	OZ
NC	23	0a
NC	24	0b
NC	25	0c
NC	26	0d
BLK	27	0e
BLK	28	0f



ALSO SEE P...

A

B

1

2

3

4

/RESET

P2

15

14

13

12

11

10

9

8

7

6

5

4

3

2

1

0.100

/STROBE

DATA7

DATA6

DATA5

DATA4

DATA3

DATA2

DATA1

DATA0

GND

+5V

4.7K
5%
1/4W
R29

4.7K
5%
1/4W
R30

4.7K
5%
1/4W
R31

4.7K
5%
1/4W
R32

4.7K
5%
1/4W
R38

470
5%
1/4W
R22

470
5%
1/4W
R21

470
5%
1/4W
R20

470
5%
1/4W
R19

470
5%
1/4W
R18

470
5%
1/4W
R17

470
5%
1/4W
R16

470
5%
1/4W
R15

470
5%
1/4W
R14

100pF
50V
±20%
C1

100pF
50V
±20%
C2

100pF
50V
±20%
C3

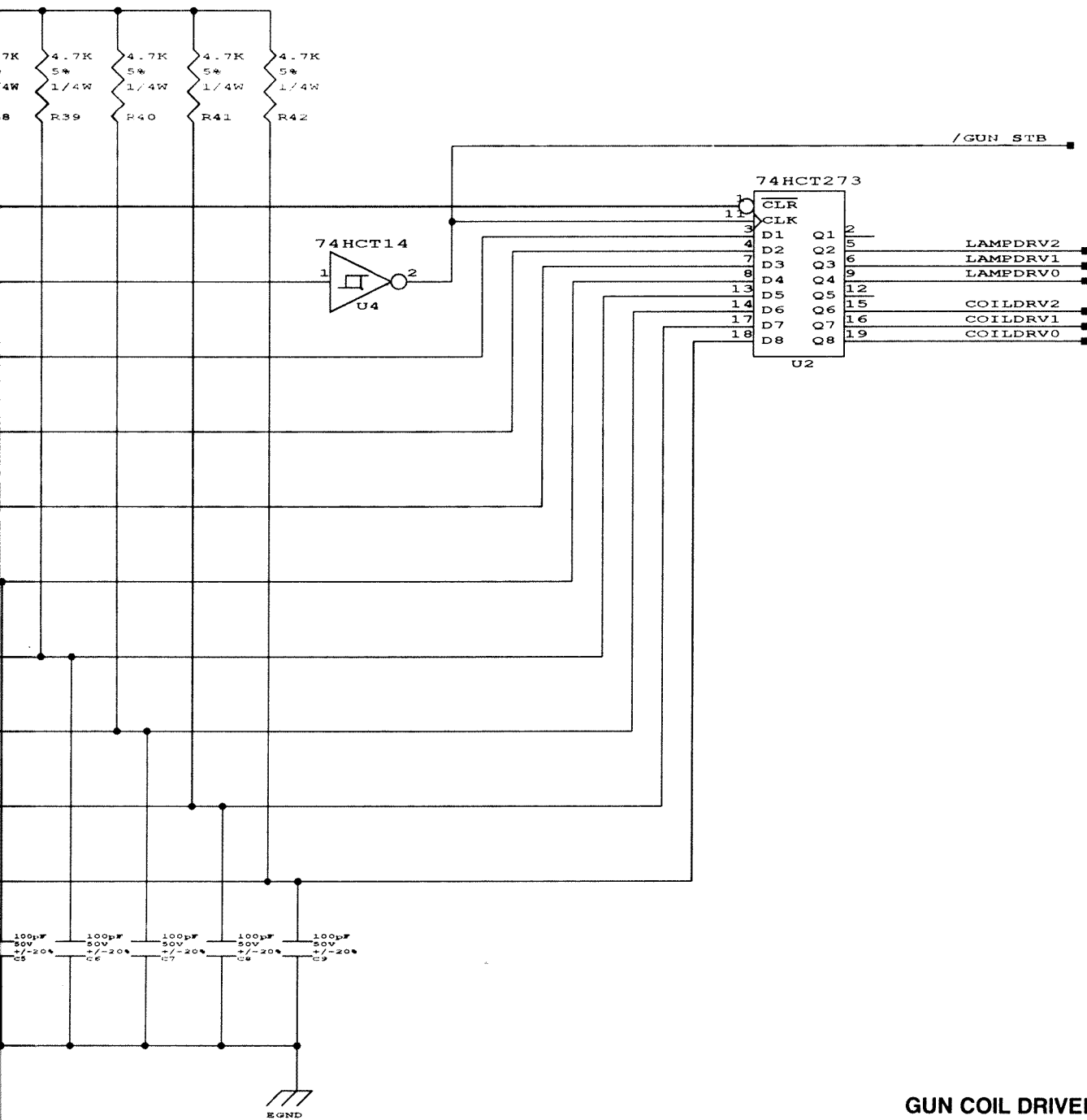
100pF
50V
±20%
C4

100pF
50V
±20%
C5

IC

A

B



**GUN COIL DRIVER BOARD
PAGE 3-6**

	UPDATE REF. DES. SEE SHEETS 2 AND 3	
ECN	CHANGE	DATE
36074	NPR	2-23-94

INFORMATION CONTAINED HEREIN IS CONFIDENTIAL PROPERTY AND MAY NOT BE USED OR DISCLOSED WITHOUT EXPRESS WRITTEN CONSENT FROM THE COMPANY.			
PROJECT ENG.	1ST PROJ. NO.	DATE	WILLIAMS ELECTRONICS GAMES MIDWAY MANUFACTURING CO. 3401 N. CALIFORNIA AVENUE CHICAGO ILLINOIS USA
F COX	40040		
DWN. BY	DATE	1ST USAGE	DATE
F COX		A-17876	
CHECKED	DATE	CURRENT PROJ.	DATE
	5-13-1994_13:45	40040	
APPROVED	DATE	SHEET	OF
		1	3
		PART NO.	REV.
		16-9554	1

A

B

1

COILDRV0

470
5%
1/4W
R23

+5V

Q1
2N3904
40V
0.5W

68
5%
1/4W
R11

4.7K
5%
1/8W
R5

GND

50V
1W
1N4001
D6

+20V

Q4
TIP102
100V
80W

GUNGND

AGND

2

COILDRV1

470
5%
1/4W
R24

+5V

Q2
2N3904
40V
0.5W

68
5%
1/4W
R12

4.7K
5%
1/8W
R33

GND

50V
1W
1N4001
D2

+20V

Q5
TIP102
100V
80W

GUNGND

AGND

3

COILDRV2

470
5%
1/4W
R25

+5V

Q3
2N3904
40V
0.5W

68
5%
1/4W
R13

4.7K
5%
1/8W
R34

GND

50V
1W
1N4001
D4

+20V

Q6
TIP102
100V
80W

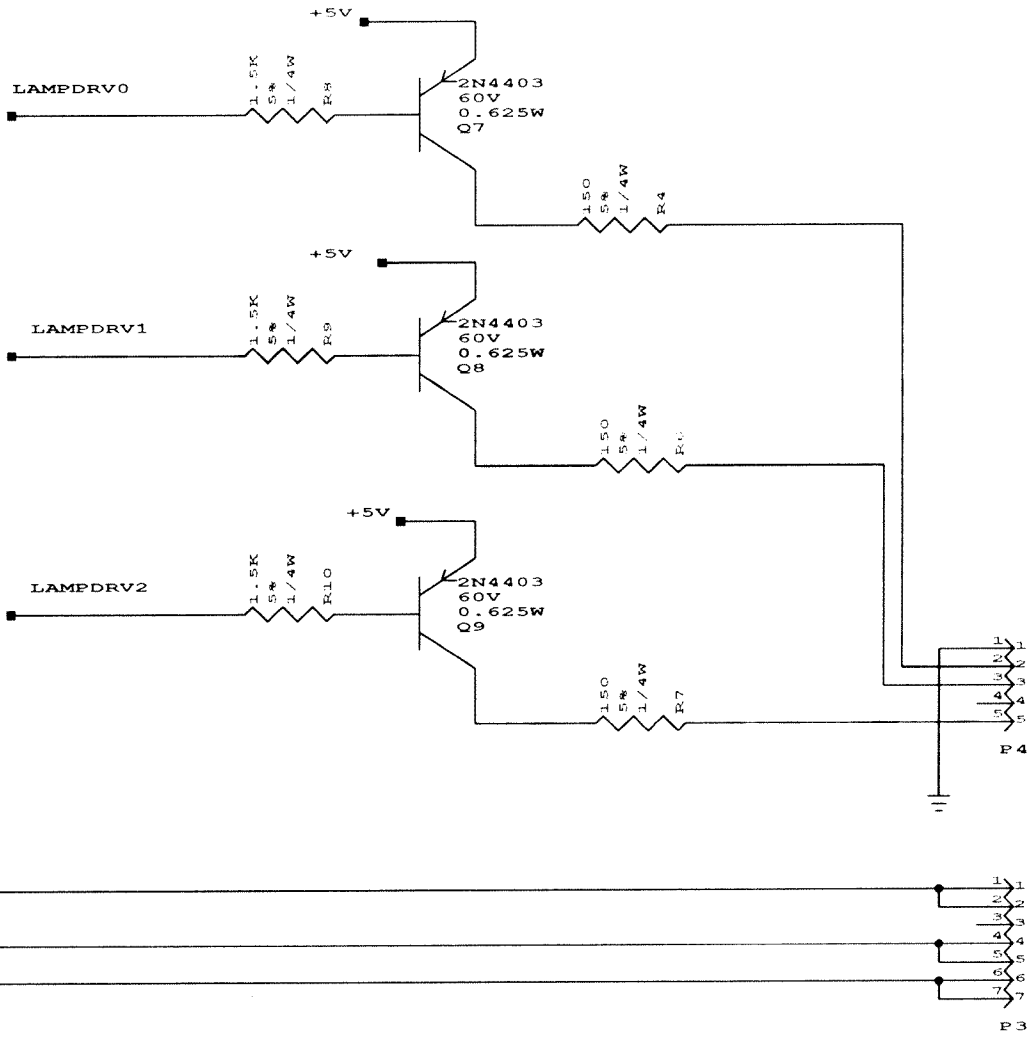
GUNGND

AGND

4

A

B



**GUN COIL DRIVER BOARD
PAGE 3-7**

	UPDATE REF. DES. FOR R33, R34, R5	
ECN	CHANGE	DATE
36074	NPR	2-23-94

INFORMATION CONTAINED HEREIN IS CONFIDENTIAL PROPERTY AND MAY NOT BE USED OR DISCLOSED WITHOUT EXPRESS WRITTEN CONSENT FROM THE COMPANY.					
PROJECT ENG.		1ST PROJ. NO.	DATE	WILLIAMS ELECTRONICS GAMES MIDWAY MANUFACTURING CO. 3401 N. CALIFORNIA AVENUE CHICAGO ILLINOIS USA	
P COX		40040		TITLE	
DWN. BY		1ST USAGE	DATE	GUNDRVR	
P COX		A-17876			
CHECKED		CURRENT PROJ.	DATE		
5-13-1994_13:45		40040		PART NO.	
APPROVED		SHEET	OF	16-9554	
		2	3	REV.	
				1	

A

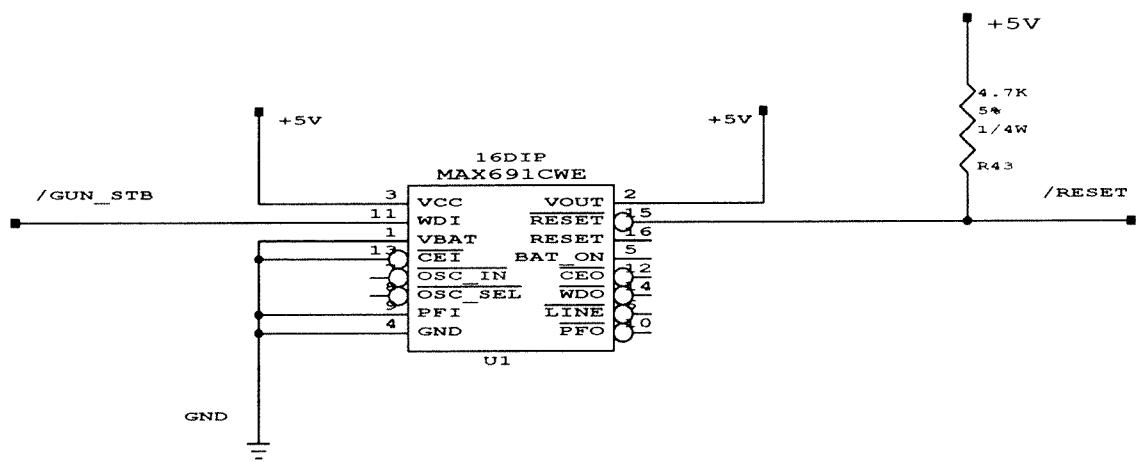
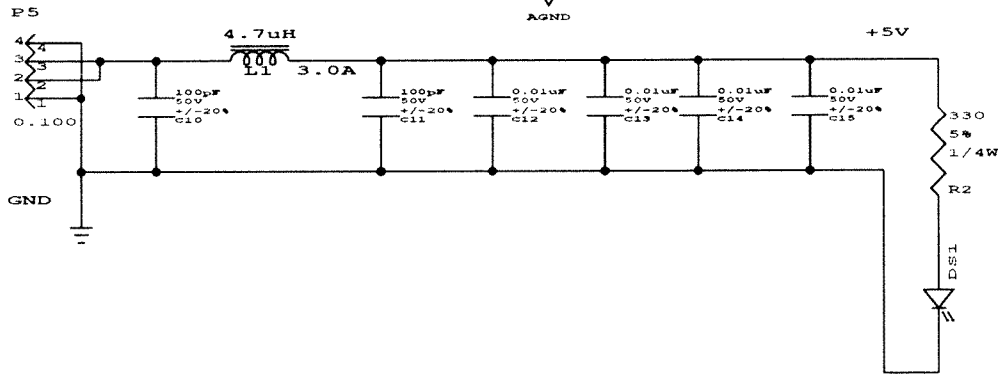
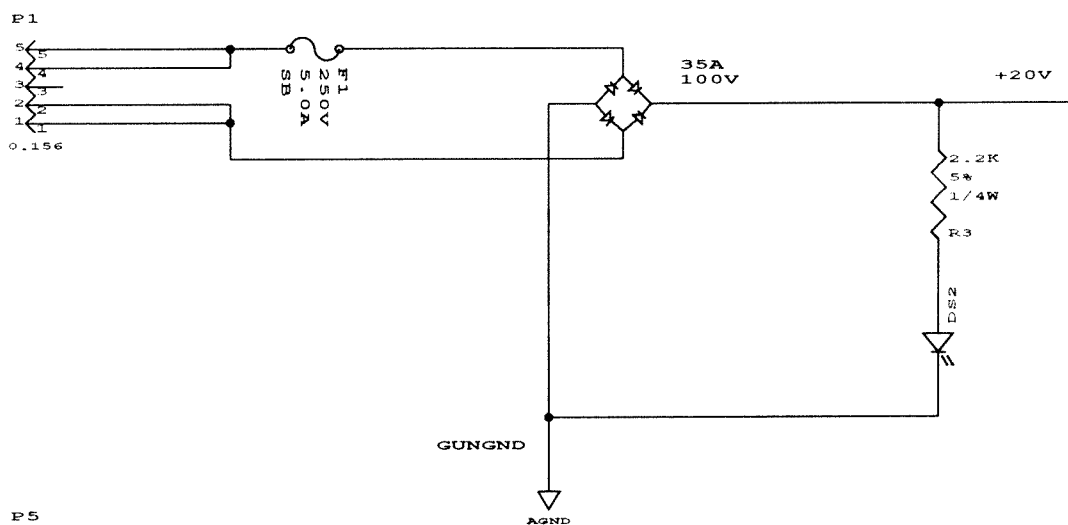
B

1

2

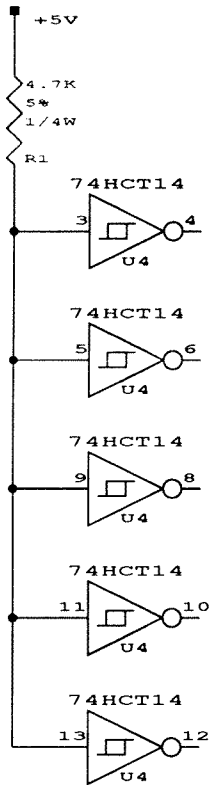
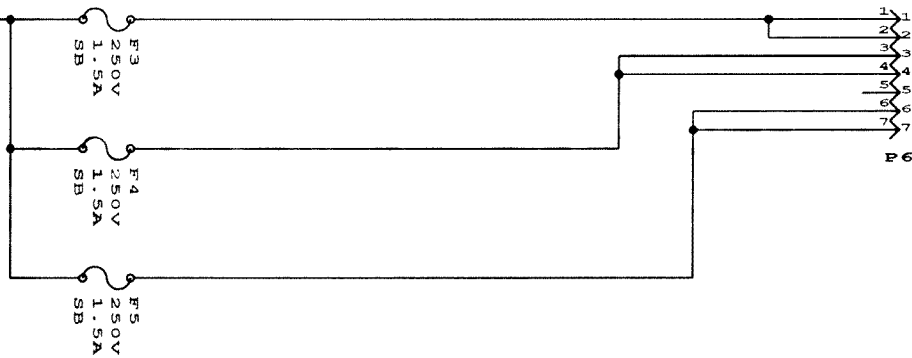
3

4



A

B



**GUN COIL DRIVER BOARD
PAGE 3-8**

	ADD REF. DES. FOR F1	
ECN 36074	CHANGE NPR	DATE 2-23-94

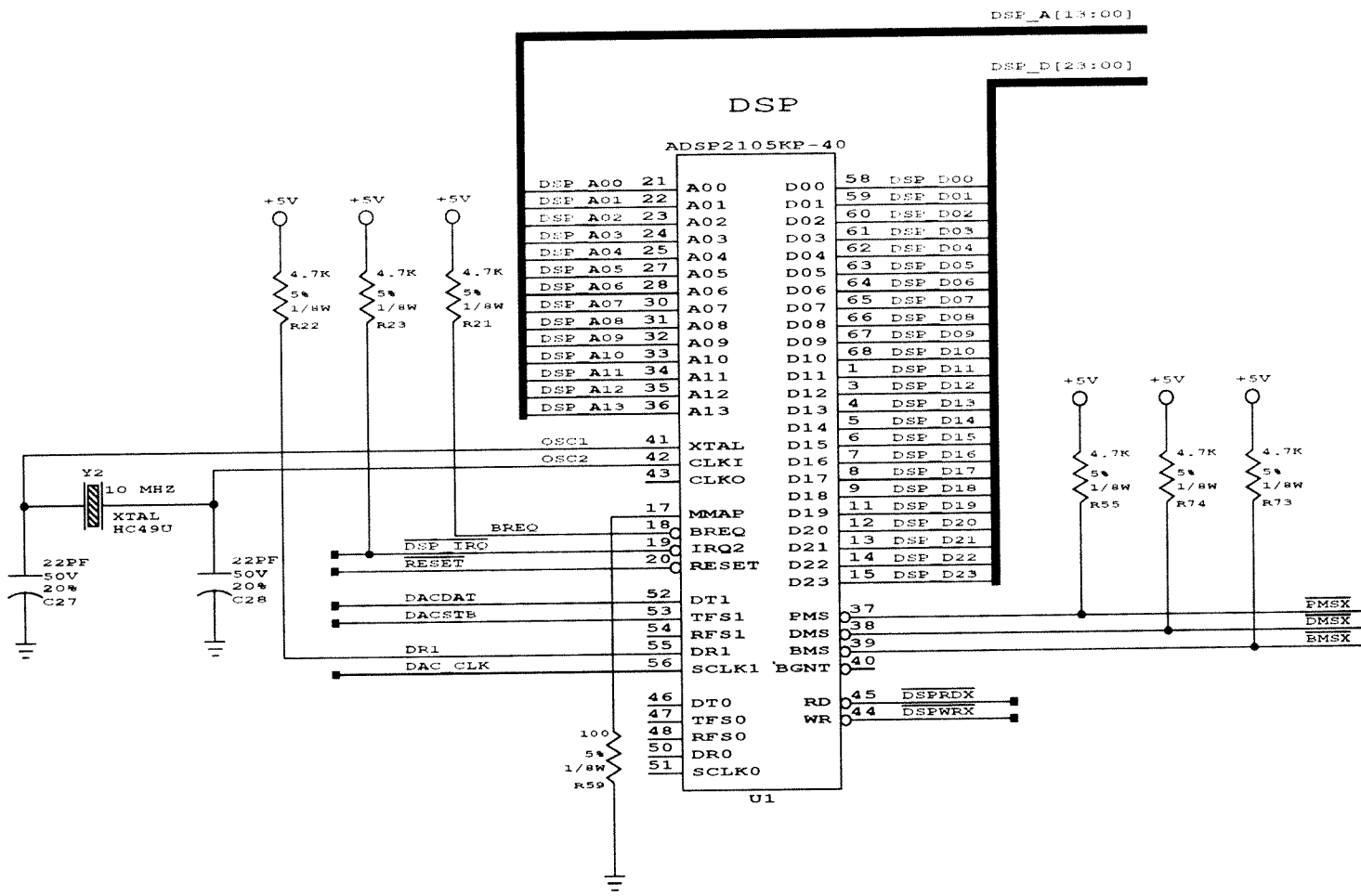
INFORMATION CONTAINED HEREIN IS CONFIDENTIAL PROPERTY AND MAY NOT BE USED OR DISCLOSED WITHOUT EXPRESS WRITTEN CONSENT FROM THE COMPANY.			
PROJECT ENG. P COX	1ST PROJ. NO. 40040	DATE	WILLIAMS ELECTRONICS GAMES MIDWAY MANUFACTURING CO. 3401 N. CALIFORNIA AVENUE CHICAGO ILLINOIS USA
DWN. BY P COX	DATE	1ST USAGE A-17876	DATE
CHECKED S-13-1994_13:46	DATE	CURRENT PROJ. 40040	DATE
APPROVED	DATE	SHEET 3	OF 3
		PART NO. 16-9554	REV. 1
GUNDRVR			

1

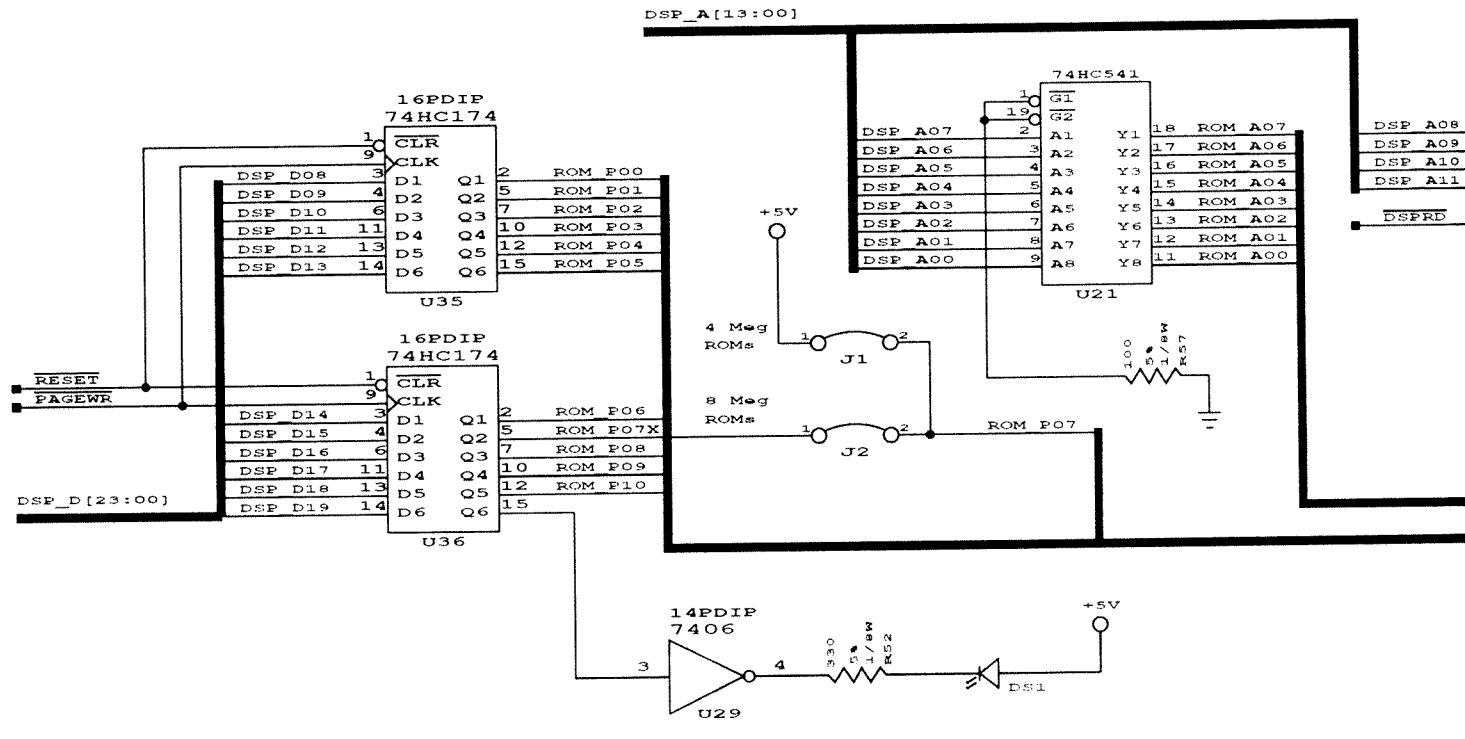
2

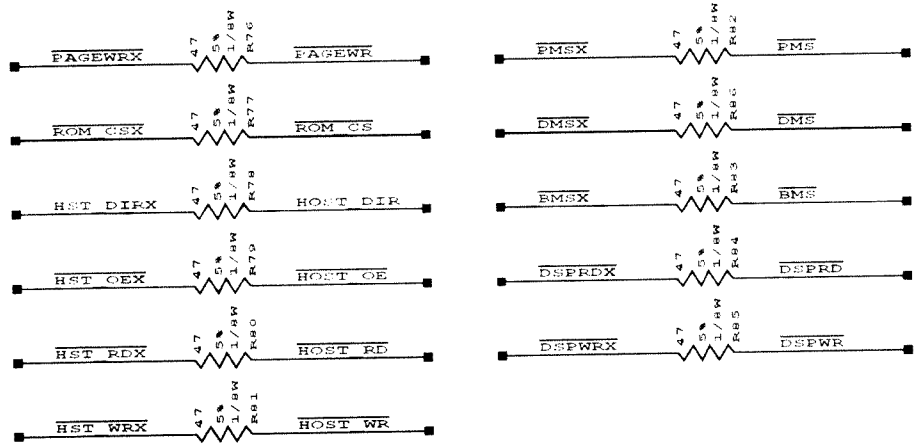
3

4

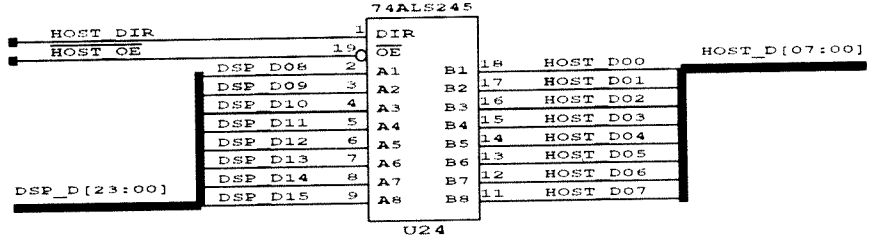


ROM DATA/ADDRESS BUFFERS

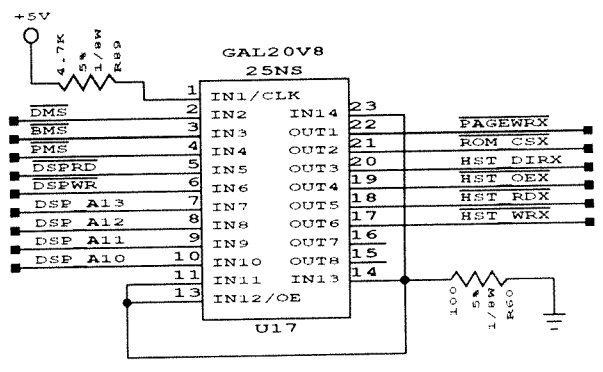
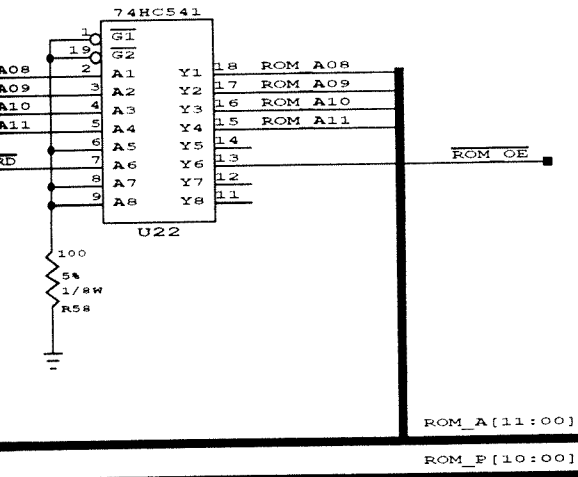




HOST BUFFER



CONTROL PAL



VIDEO SOUND BOARD
PAGE 3-9

ECN	CHANGE	DATE

INFORMATION CONTAINED HEREIN IS CONFIDENTIAL PROPERTY AND MAY NOT BE USED OR DISCLOSED WITHOUT EXPRESS WRITTEN CONSENT FROM THE COMPANY.					
PROJECT ENG.		1ST PROJ. NO.	DATE	WILLIAMS ELECTRONICS GAMES MIDWAY MANUFACTURING CO. 3401 N. CALIFORNIA AVENUE CHICAGO ILLINOIS USA	
John Lowes					
DWN. BY	DATE	1ST USAGE	DATE	TITLE	
JML	11-19-1993_16:38			DCS Video Sound Board	
CHECKED	DATE	CURRENT PROJ.	DATE	DSP/BUS Interface	
				PART NO.	REV.
				16-9615	-

A

B

1

2

3

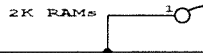
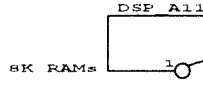
4

DSP_A[13:00]

DSP_D[23:00]

CY7C128A-35

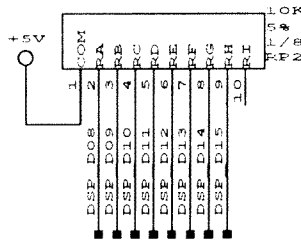
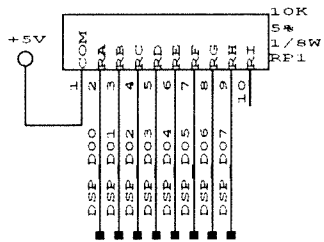
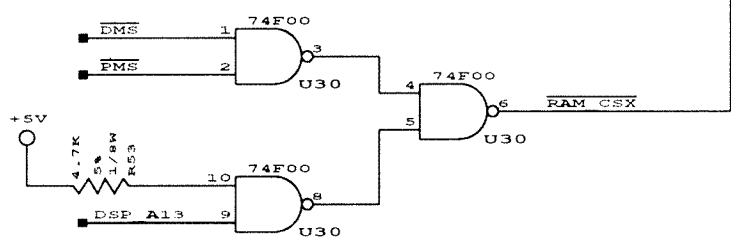
DSP A00	10	A00	Q0	11	DSP D07	DSP A00	10
DSP A01	9	A01	Q1	12	DSP D06	DSP A01	9
DSP A02	8	A02	Q2	13	DSP D05	DSP A02	8
DSP A03	7	A03	Q3	15	DSP D08	DSP A03	7
DSP A04	6	A04	Q4	16	DSP D01	DSP A04	6
DSP A05	5	A05	Q5	17	DSP D02	DSP A05	5
DSP A06	4	A06	Q6	18	DSP D03	DSP A06	4
DSP A07	3	A07	Q7	19	DSP D04	DSP A07	3
DSP A08	25	A08	WE	27		DSP A08	25
DSP A09	24	A09	CE1	20		DSP A09	24
DSP A10	21	A10	CE2	26		DSP A10	21
DSP A12	2	A12	OE	22		DSP A12	2
			WE/A11				



DSPWE

DSPRD

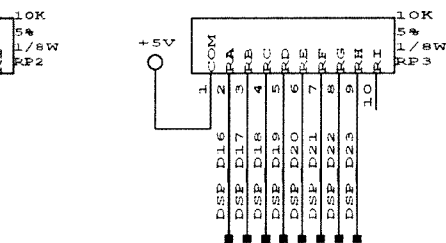
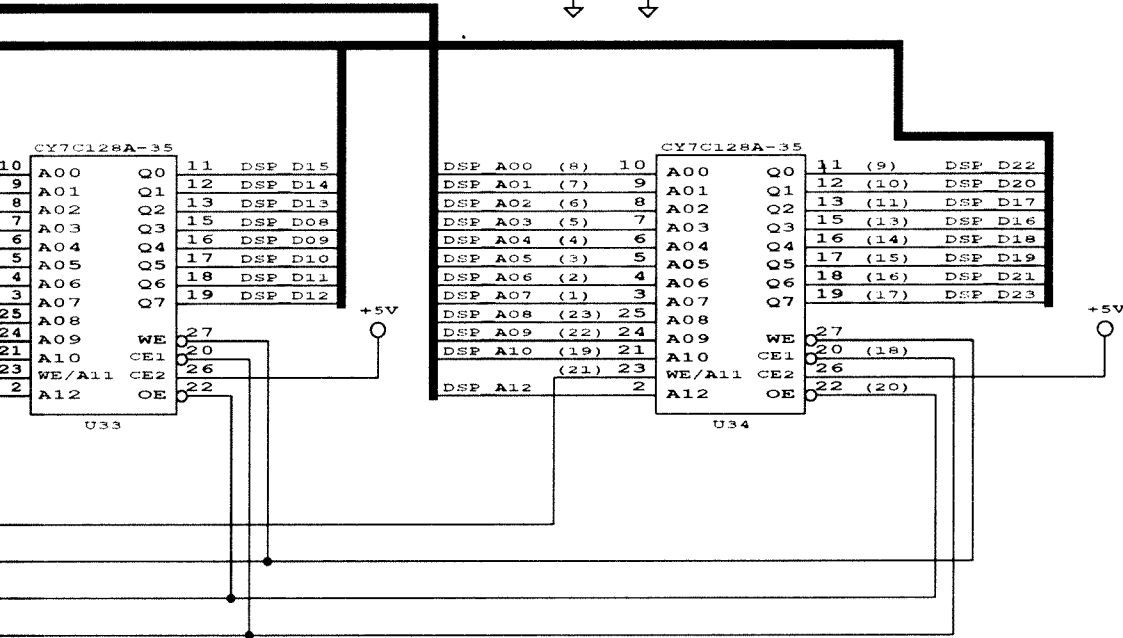
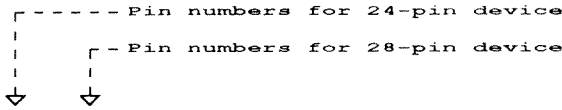
RAM CS



A

B

Use these pinouts for all 3 rams



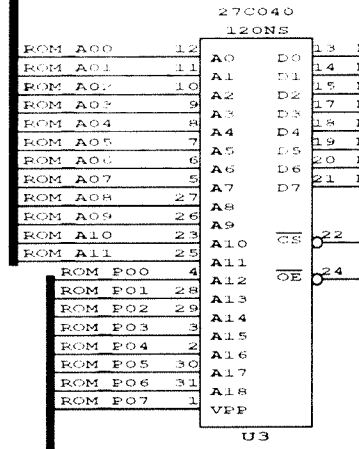
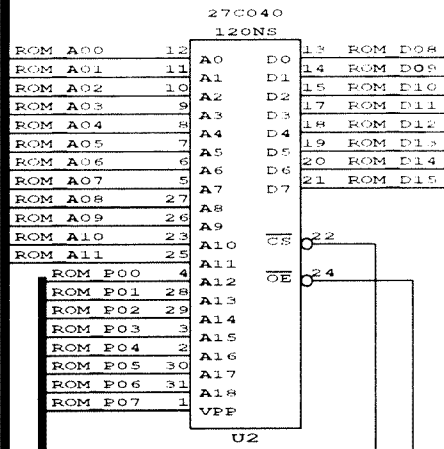
VIDEO SOUND BOARD PAGE 3-10

ECN		CHANGE		DATE	
INFORMATION CONTAINED HEREIN IS CONFIDENTIAL PROPERTY AND MAY NOT BE USED OR DISCLOSED WITHOUT EXPRESS WRITTEN CONSENT FROM THE COMPANY.					
PROJECT ENG. John Lowes		1ST PROJ. NO.		DATE	
DWN. BY JML		DATE 11-19-1993_13:41		1ST USAGE DATE	
CHECKED		DATE		CURRENT PROJ. DATE	
APPROVED		DATE		SHEET 2	
		OF 7		PART NO. 16-9615	
				REV. -	

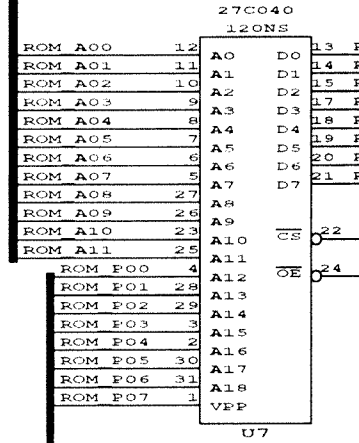
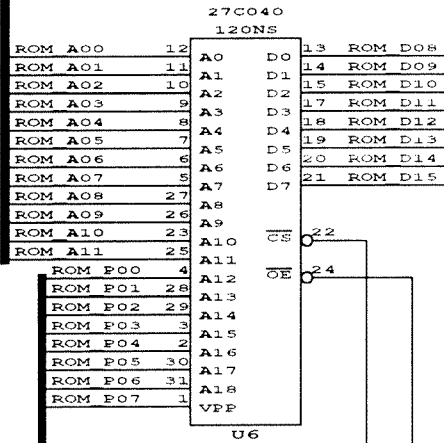
A

B

ROM_A[11:00]

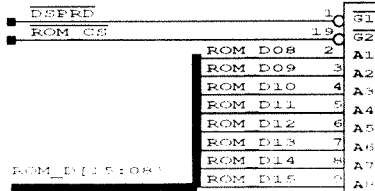
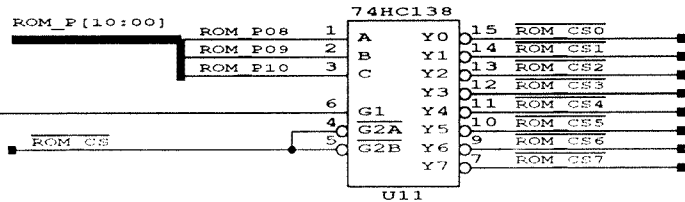
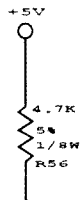


ROM CS0
ROM CS1
ROM CS2
ROM CS3



ROM CS4
ROM CS5
ROM CS6
ROM CS7
ROM OE

ROM_F[10:00]



A

B

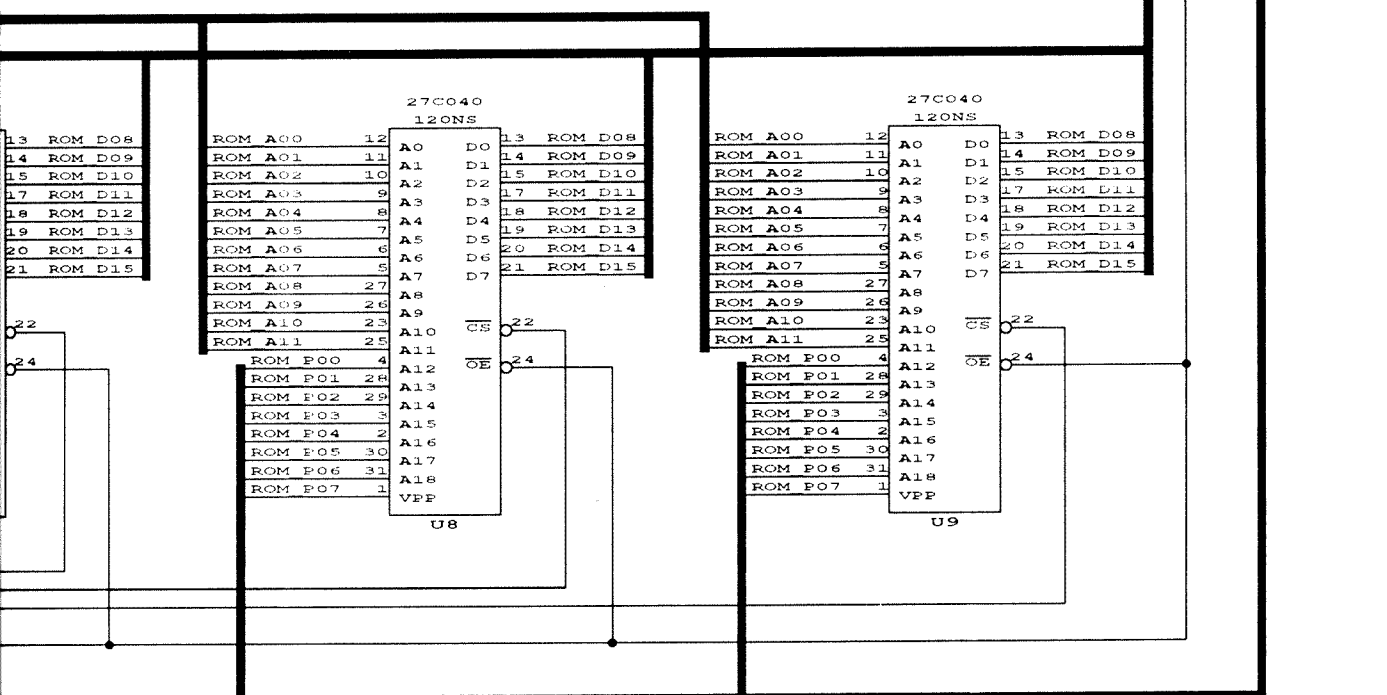
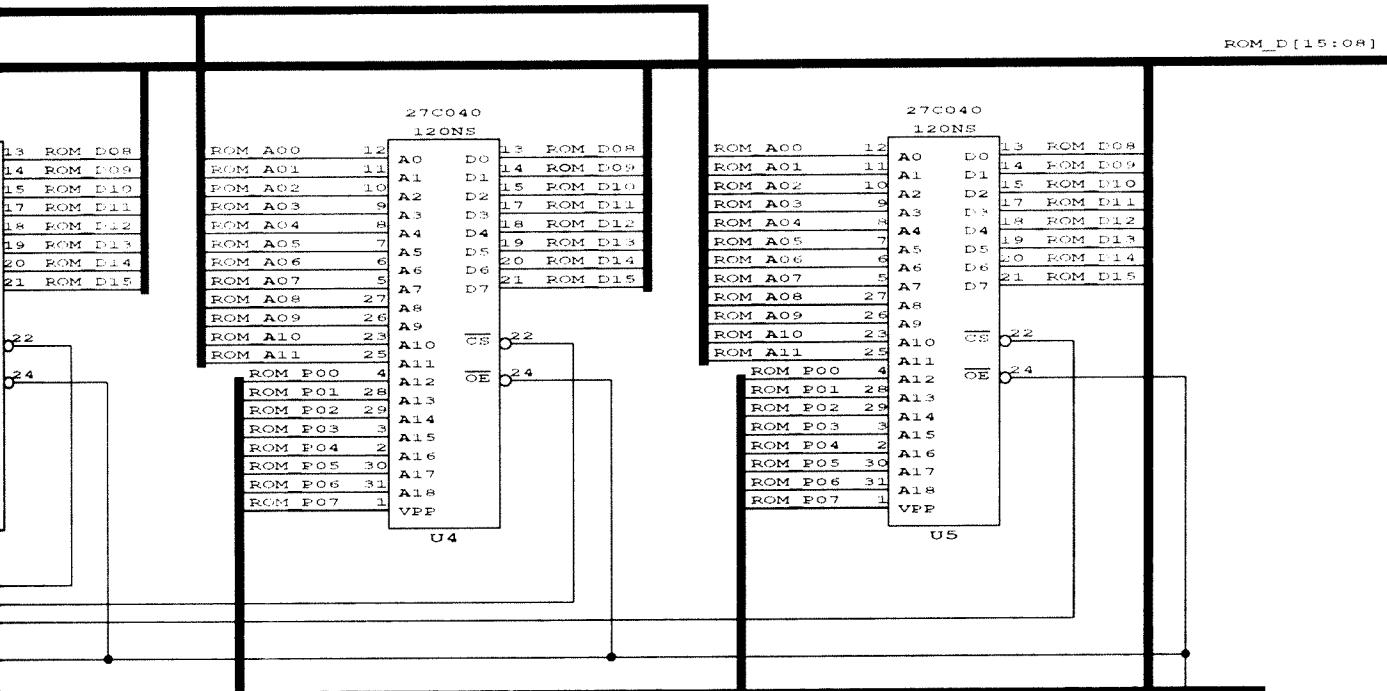
1

2

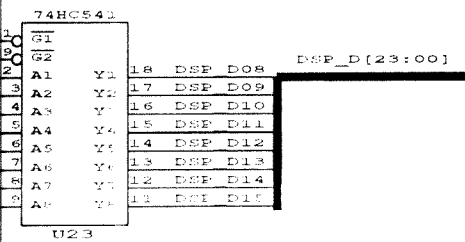
3

4

ROM_D[15:08]

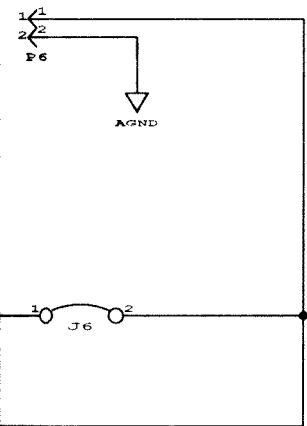


**VIDEO SOUND BOARD
PAGE 3-11**

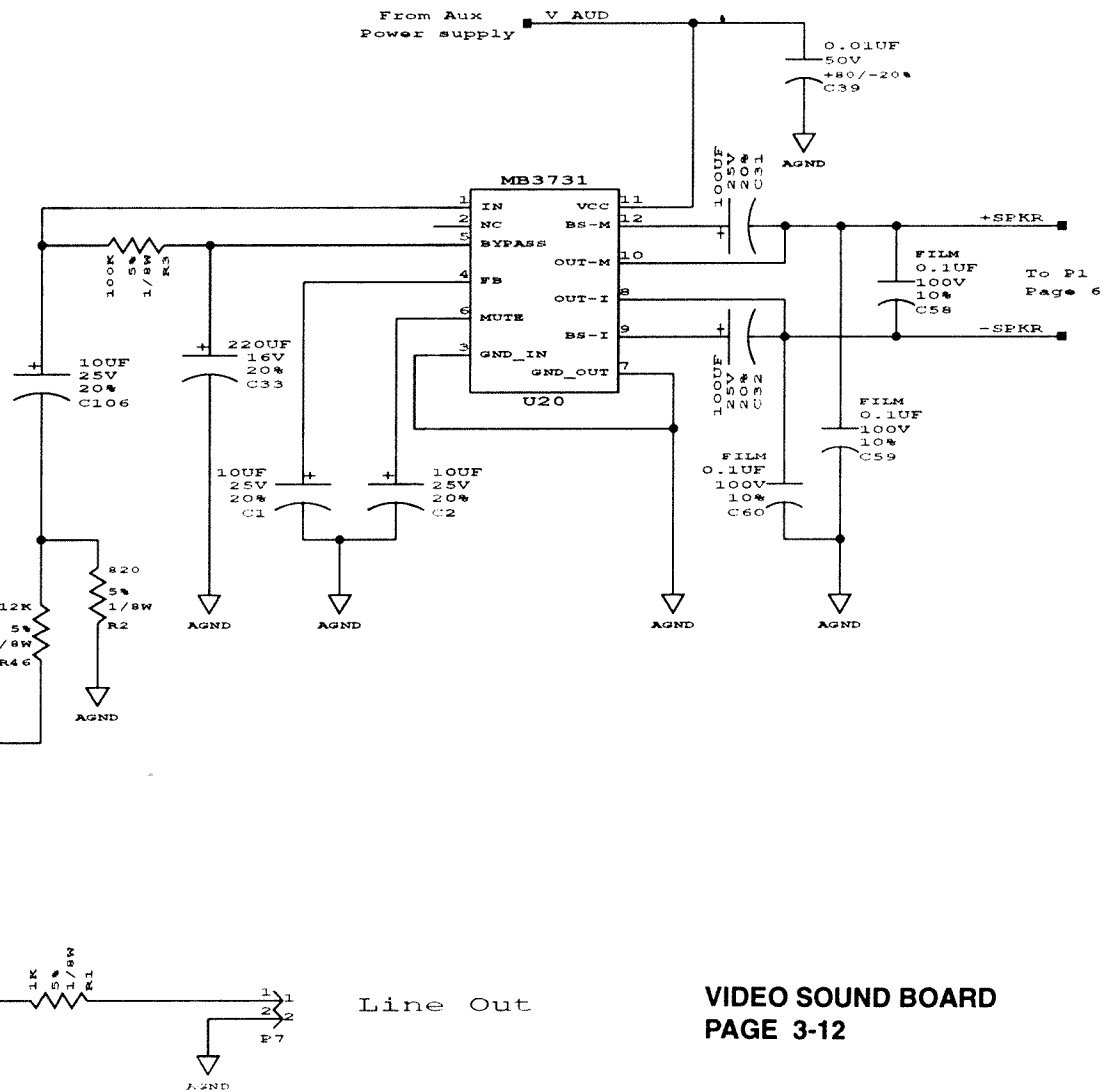
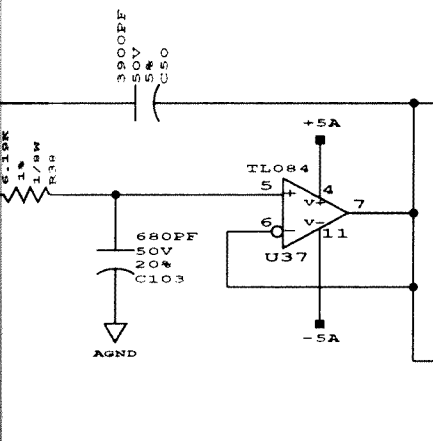
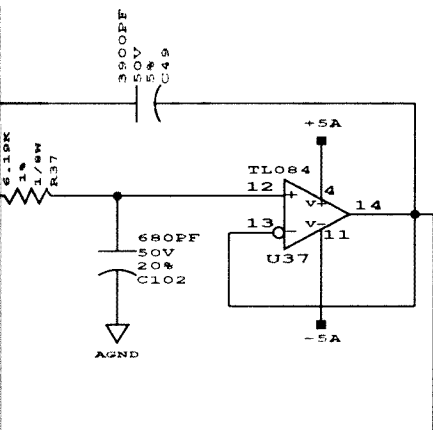


ECN		CHANGE		DATE
INFORMATION CONTAINED HEREIN IS CONFIDENTIAL PROPERTY AND MAY NOT BE USED OR DISCLOSED WITHOUT EXPRESS WRITTEN CONSENT FROM THE COMPANY.				
PROJECT ENG.	1ST PROJ. NO.	DATE	WILLIAMS ELECTRONICS GAMES MIDWAY MANUFACTURING CO. 3401 N. CALIFORNIA AVENUE CHICAGO ILLINOIS USA	
John Lowes			TITLE	
DWN. BY	DATE	1ST USAGE	DCS Video Sound Board	
JML	11-19-1993_14:03	DATE	Program/Data Romis	
CHECKED	DATE	CURRENT PROJ.	DATE	
APPROVED	DATE	SHEET	OF	PART NO.
		3	7	16-9615
				REV. -

ux In



Install J5 if 12V is used as power amp (U20) supply.



VIDEO SOUND BOARD
PAGE 3-12

ECN	CHANGE	DATE

INFORMATION CONTAINED HEREIN IS CONFIDENTIAL PROPERTY AND MAY NOT BE USED OR DISCLOSED WITHOUT EXPRESS WRITTEN CONSENT FROM THE COMPANY.					
PROJECT ENG. John Lowes		1ST PROJ. NO.	DATE	WILLIAMS ELECTRONICS GAMES MIDWAY MANUFACTURING CO. 3401 N. CALIFORNIA AVENUE CHICAGO ILLINOIS USA	
DWN. BY	DATE	1ST USEAGE	DATE	TITLE	
JML	5-12-1984_12:22			DCS Video Sound Board	
CHECKED	DATE	CURRENT PROJ.	DATE	Anti-Aliasing Filter	
APPROVED	DATE	SHEET	OF	PART NO.	REV.
		4	7	16-9615	-

C

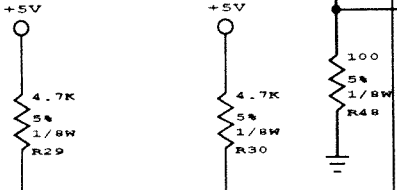
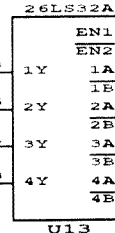
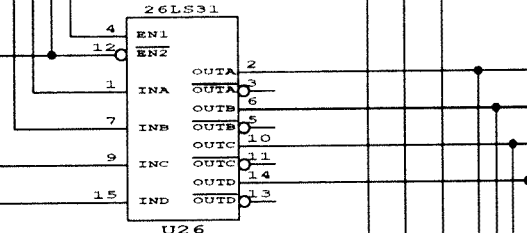
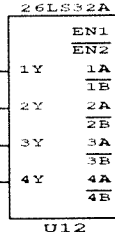
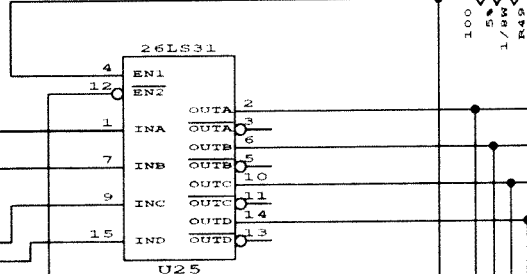
D

Add 0.1uF and 0.01uF caps
for every 26lsXX part.

HOST_D[07:00]

HOST D00
HOST D01
HOST D02
HOST D03
HOST D04
HOST D05
HOST D06
HOST D07

74LS374
OE
CLK
D1
D2
D3
D4
D5
D6
D7
D8
Q1
Q2
Q3
Q4
Q5
Q6
Q7
Q8

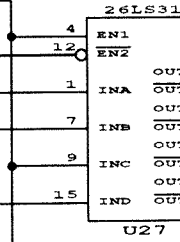
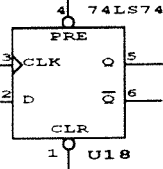


Stuff jumper
for parallel
interface

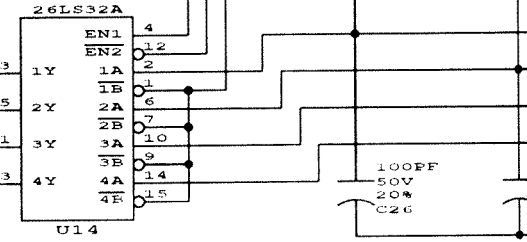
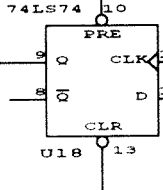
HOST RD



HOST WR



DSF IRQ

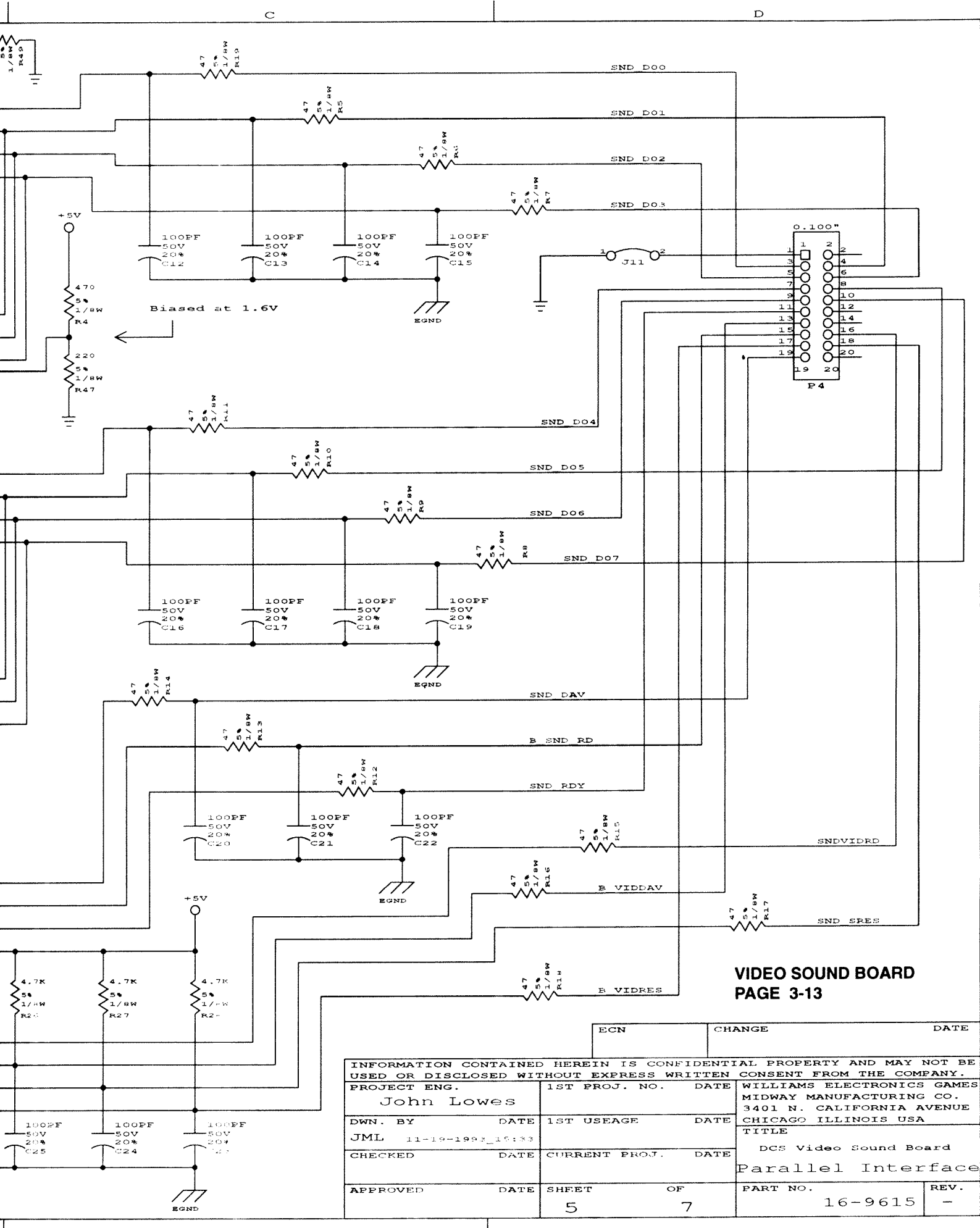


SOFT RES
HARD RES

100PF
50V
20%
C26

A

B



**VIDEO SOUND BOARD
PAGE 3-13**

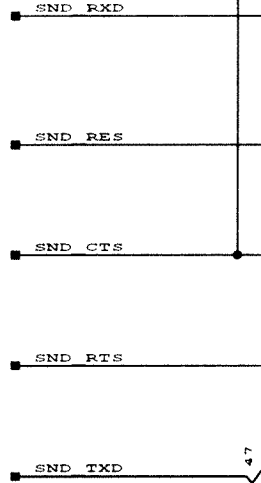
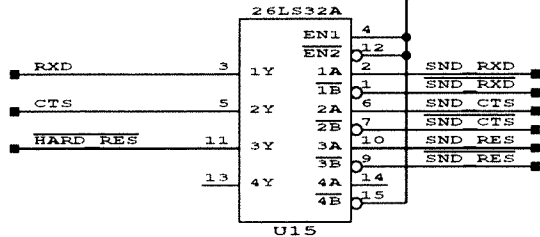
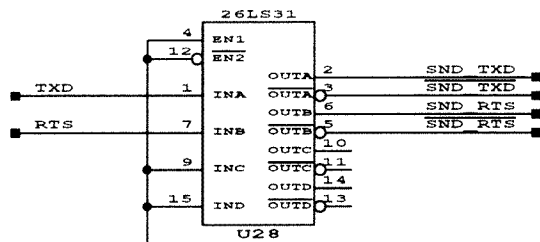
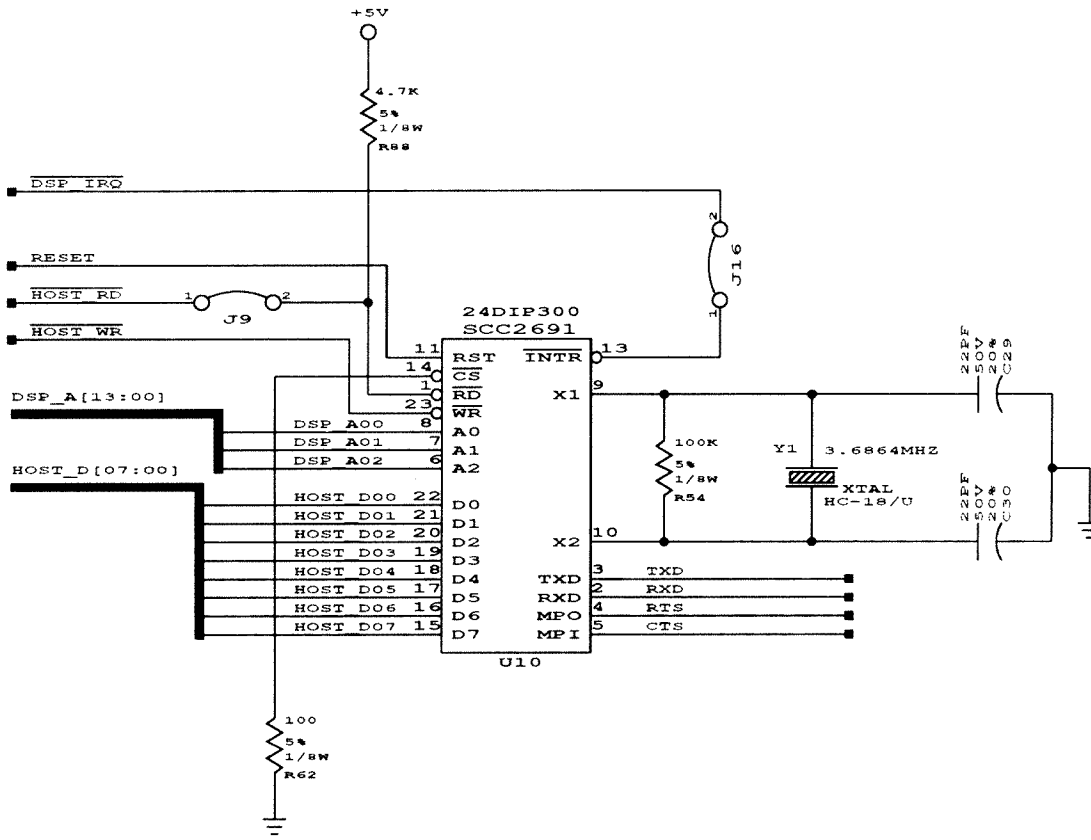
ECN		CHANGE		DATE
INFORMATION CONTAINED HEREIN IS CONFIDENTIAL PROPERTY AND MAY NOT BE USED OR DISCLOSED WITHOUT EXPRESS WRITTEN CONSENT FROM THE COMPANY.				
PROJECT ENG.		1ST PROJ. NO.	DATE	WILLIAMS ELECTRONICS GAMES
John Lowes				MIDWAY MANUFACTURING CO.
DWN. BY		DATE	1ST USAGE	DATE
JML		11-19-1992_15:33		
CHECKED		DATE	CURRENT PROJ.	DATE
APPROVED		DATE	SHEET	OF
			5	7
TITLE			PART NO.	REV.
DCS Video Sound Board Parallel Interface			16-9615	-

1

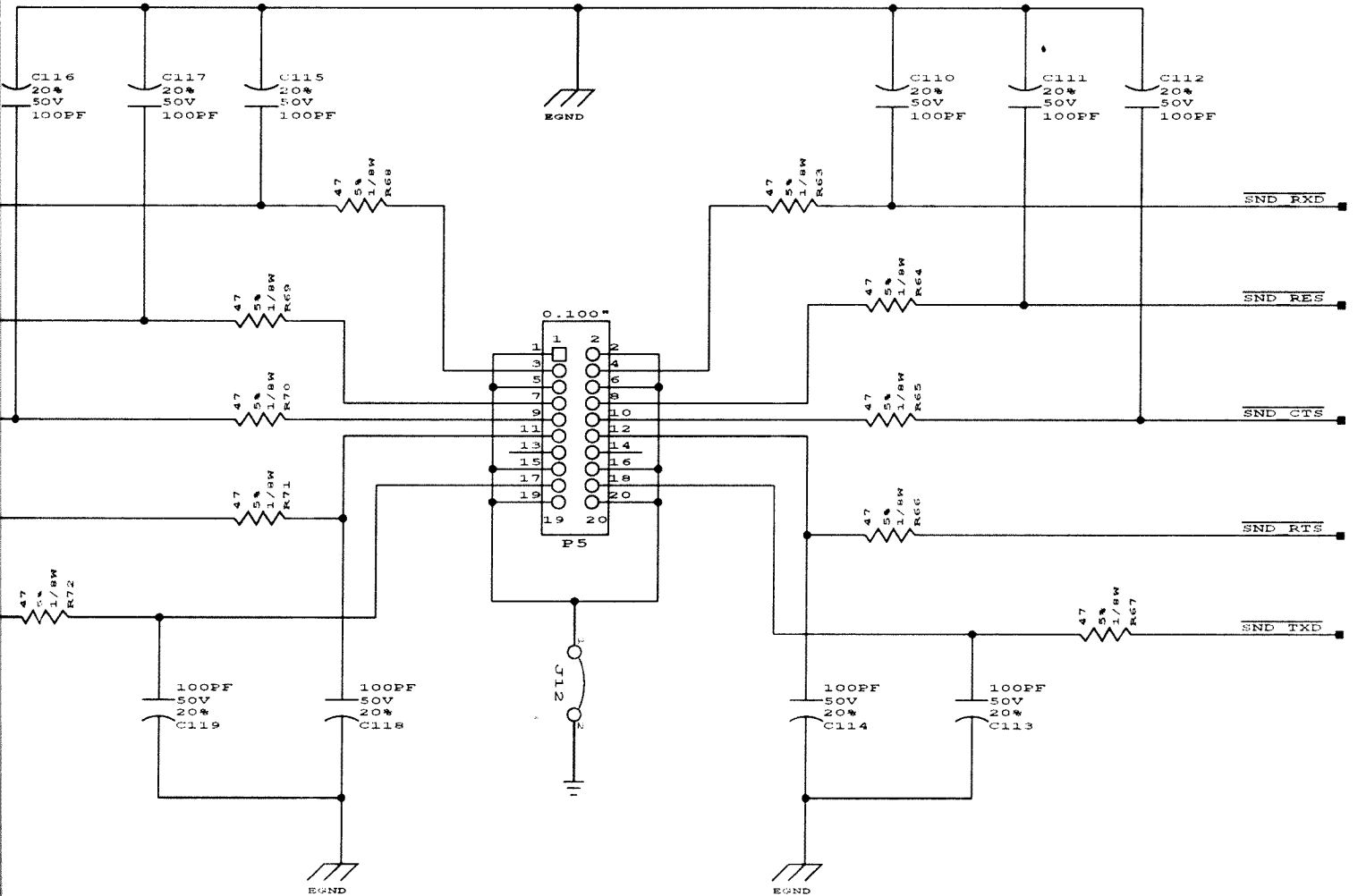
2

3

4



Interface

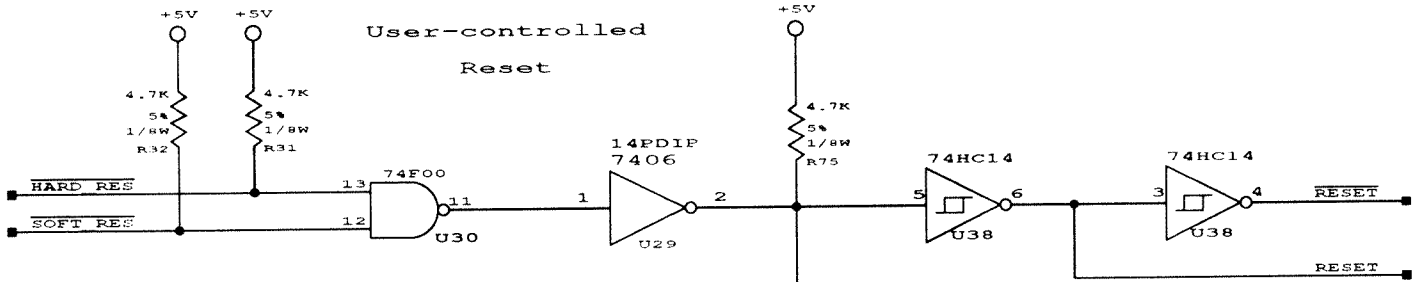


**VIDEO SOUND BOARD
PAGE 3-14**

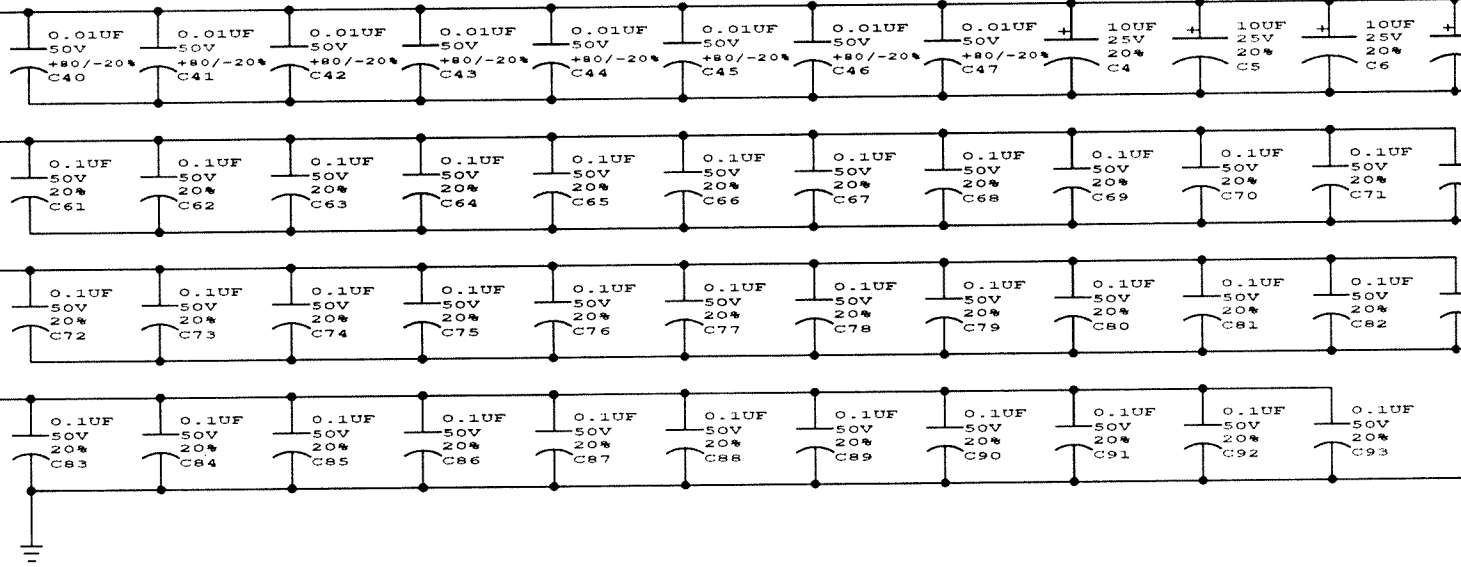
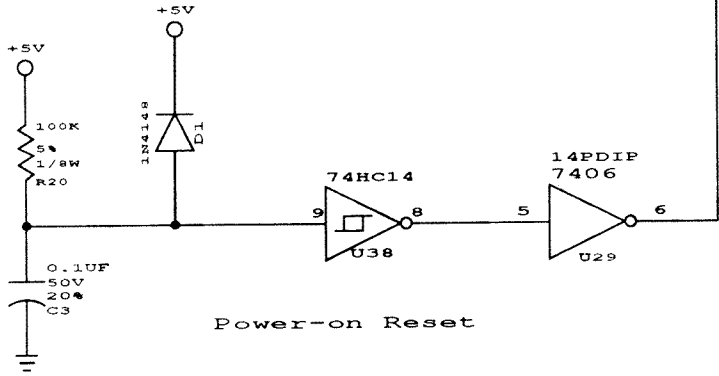
ECN		CHANGE		DATE
INFORMATION CONTAINED HEREIN IS CONFIDENTIAL PROPERTY AND MAY NOT BE USED OR DISCLOSED WITHOUT EXPRESS WRITTEN CONSENT FROM THE COMPANY.				
PROJECT ENG.	1ST PROJ. NO.	DATE	WILLIAMS ELECTRONICS GAMES MIDWAY MANUFACTURING CO. 3401 N. CALIFORNIA AVENUE CHICAGO ILLINOIS USA	
John Lowes				
DWN. BY	DATE	1ST USAGE	DATE	TITLE
JML	11-19-1993_15:53			DCS Video Sound Board
CHECKED	DATE	CURRENT PROJ.	DATE	UART Serial Interface
APPROVED	DATE	SHEET	OF	PART NO.
		6	7	16-9615
				REV.
				-

Reset Circuit

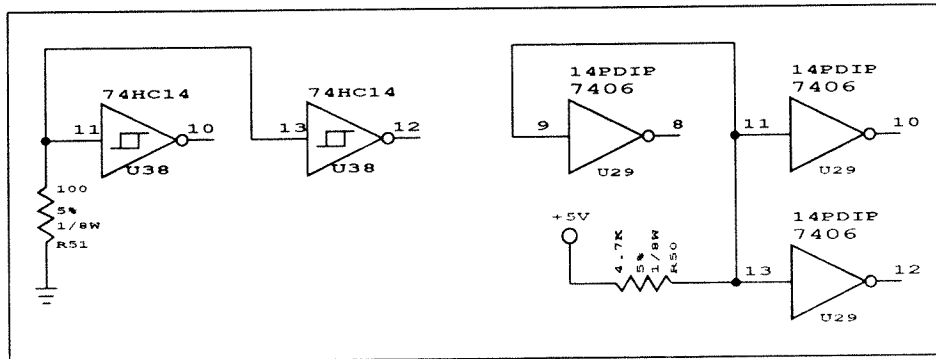
User-controlled Reset



Power-on Reset



Spare Gates



A

B

1

2

3

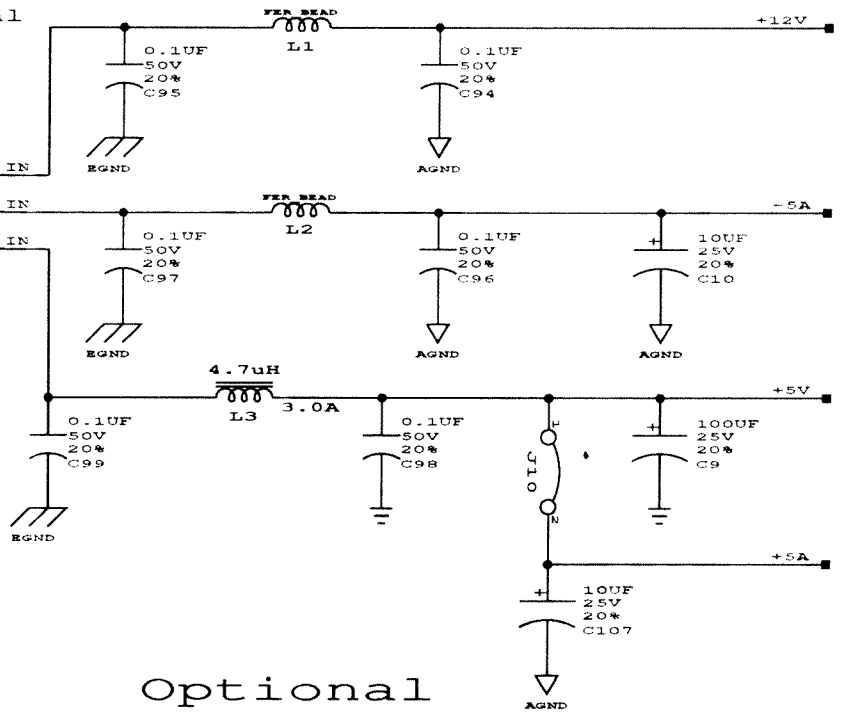
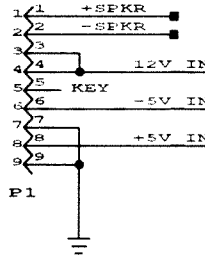
4

A

B

Analog/Digital Power

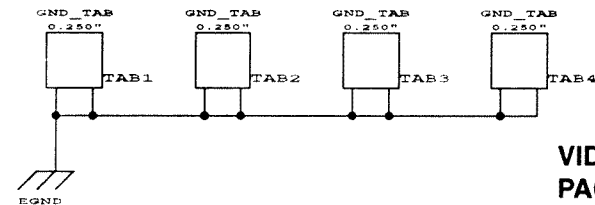
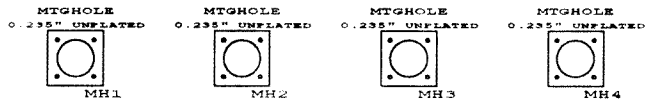
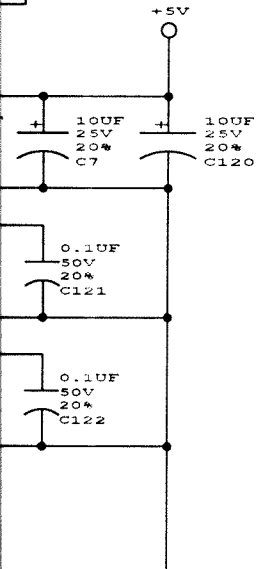
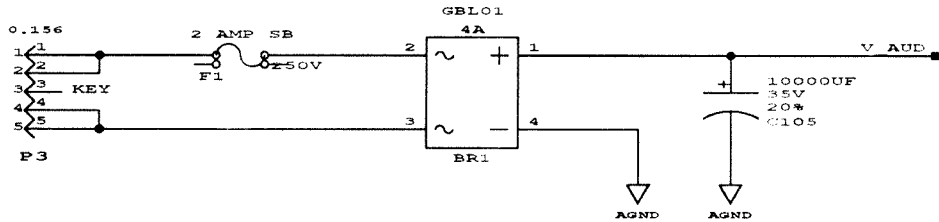
0.156



Optional

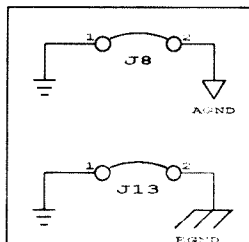
Aux Power: If used, then do NOT stuff C34, C94, C95, L1, and J5. This circuit replaces +12V as the power amp (U20) supply.

16VAC



VIDEO SOUND BOARD
PAGE 3-15

GROUND ISOLATION



ECN	CHANGE	DATE
-----	--------	------

INFORMATION CONTAINED HEREIN IS CONFIDENTIAL PROPERTY AND MAY NOT BE USED OR DISCLOSED WITHOUT EXPRESS WRITTEN CONSENT FROM THE COMPANY.					
PROJECT ENG.		1ST PROJ. NO.		DATE	
John Lowes					
DWN. BY		1ST USAGE		DATE	
JML		12-28-1993_10:14			
CHECKED		CURRENT PROJ.		DATE	
APPROVED		SHEET		OF	
		7		7	
PART NO.			REV.		
16-9615			-		

C

D

A

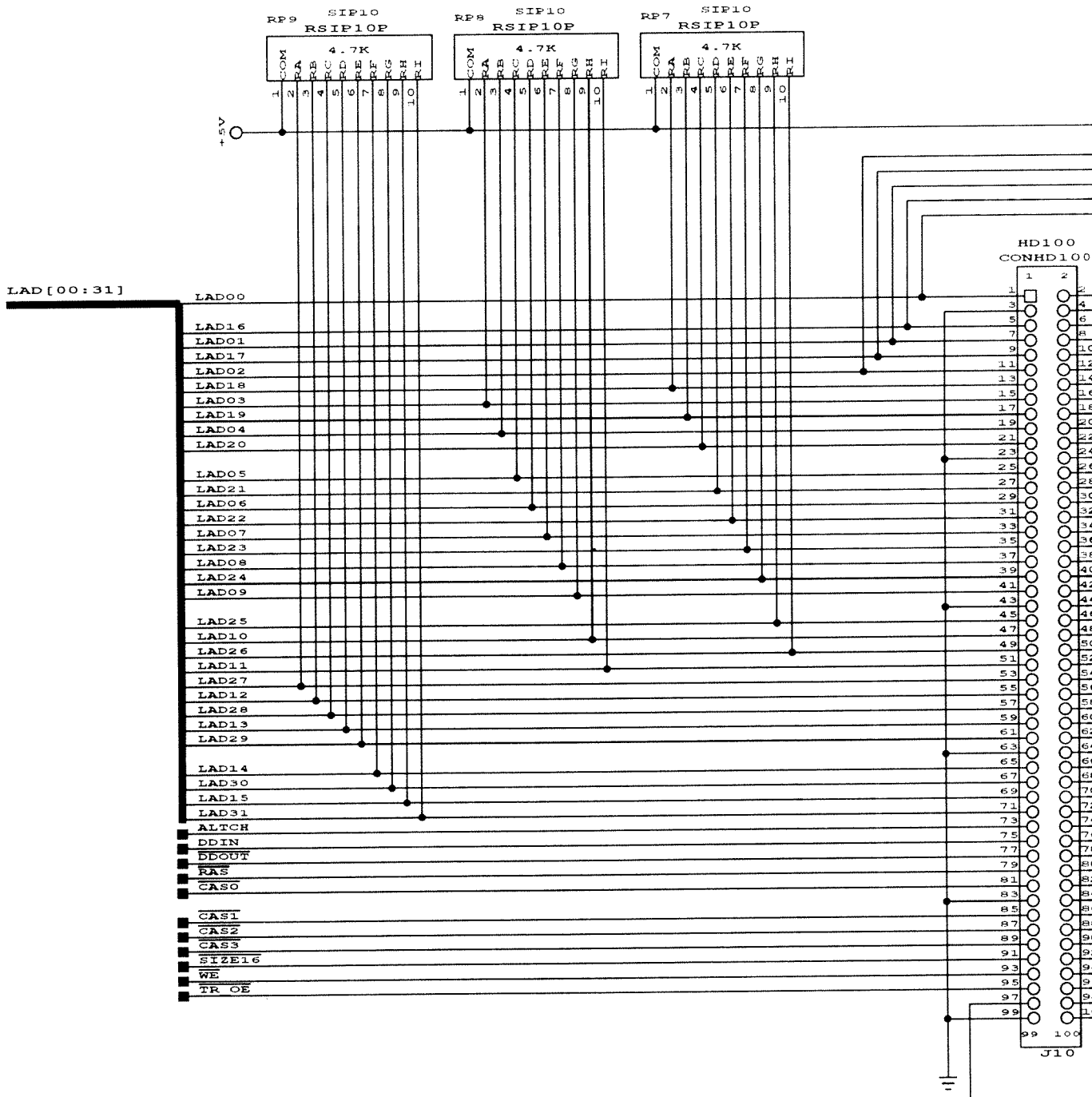
B

1

2

3

4



A

B

A

B

1

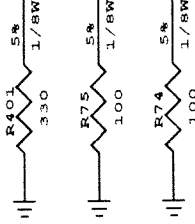
2

3

4

DOT CLK
 CAMD
 BUS FLT
 LRDY
 SIZE16
 FGMD

HA[05:31]



HBS[00:03]

HCS
 HRD
 HWR
 RESET
 LINT1
 LINT2
 HDST
 HOE
 HRDY
 HINT

GSPCLK

HAO5 67
 HAO6 66
 HAO7 65
 HAO8 64
 HAO9 63
 HA10 62
 HA11 61
 HA12 60
 HA13 59
 HA14 58
 HA15 57
 HA16 56
 HA17 55
 HA18 54
 HA19 53
 HA20 52
 HA21 51
 HA22 50
 HA23 49
 HA24 48
 HA25 47
 HA26 46
 HA27 45
 HA28 44
 HA29 43
 HA30 42
 HA31 41
 HBS00 71
 HBS01 70
 HBS02 69
 HBS03 68
 HCS 38
 HREAD 36
 HWRITE 35
 RESET 23
 LINT1 25
 LINT2 24
 HDST 13
 HOE 12
 HRDY 14
 HINT 15

HBS0
 HBS1
 HBS2
 HBS3
 HCS
 HREAD
 HWRITE
 RESET
 LINT1
 LINT2
 HDST
 HOE
 HRDY
 HINT

EMU0 20
 EMU1 19
 EMU2 21
 EMU3 16
 RO 10
 RI 11
 GI 22
 SCLK 116
 VCLK 33
 VCLK 136
 CBLNK/VBLNK 137
 CSYNC/HBLNK 135
 HSYNC 134
 VSYNC
 CAMD 26
 BUSFLT 27
 LRDY 30
 SIZE16 28
 FGMD 29

34020
 QFP144
 U19

LAD0 75
 LAD1 77
 LAD2 79
 LAD3 82
 LAD4 85
 LAD5 87
 LAD6 89
 LAD7 91
 LAD8 95
 LAD9 97
 LAD10 99
 LAD11 101
 LAD12 104
 LAD13 107
 LAD14 112
 LAD15 114
 LAD16 76
 LAD17 78
 LAD18 80
 LAD19 83
 LAD20 86
 LAD21 88
 LAD22 92
 LAD23 96
 LAD24 98
 LAD25 100
 LAD26 102
 LAD27 105
 LAD28 111
 LAD29 113
 LAD30 115
 LAD31

140 C ALTCH
 141 C DDIN
 142 C DDOUT
 8 C RAS
 WE 143 C WE
 133 C TR OE
 132 C SF
 6 C CAS0
 5 C CAS1
 4 C CAS2
 3 C CAS3

34 CLKIN
 17 LCLK1
 18 LCLK2
 131 RCA0
 130 RCA1
 129 RCA2
 128 RCA3
 127 RCA4
 124 RCA5
 123 RCA6
 122 RCA7
 121 RCA8
 120 RCA9
 119 RCA10
 118 RCA11
 117 RCA12

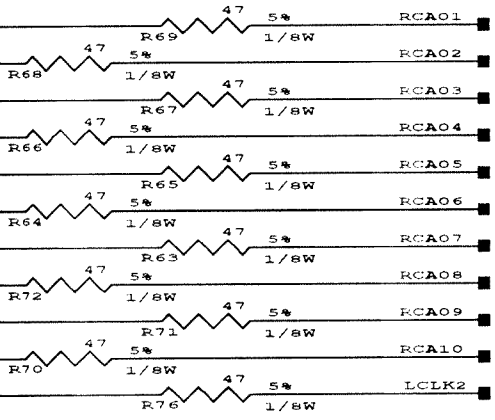
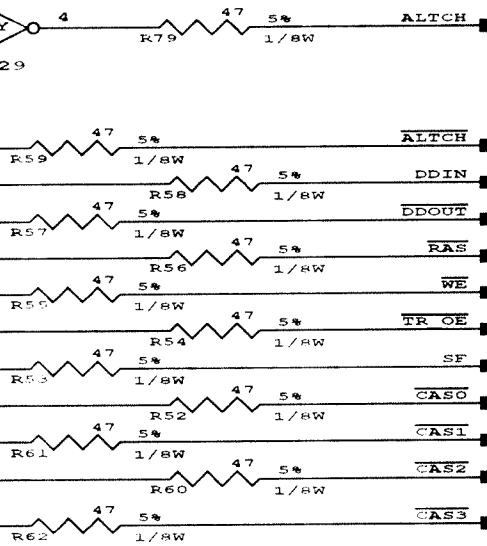
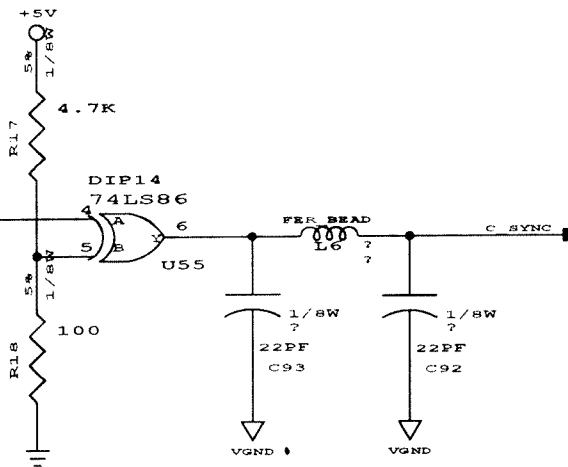
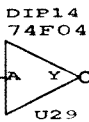
C RCA01
 C RCA02
 C RCA03
 C RCA04
 C RCA05
 C RCA06
 C RCA07
 C RCA08
 C RCA09
 C RCA10
 C LCLK2

B

A

000
001
002
003
004
005
006
007
008
009
010
011
012
013
014
015
016
017
018
019
020
021
022
023
024
025
026
027
028
029
030
031
LCH
DIN
DOUT
RAS
WE
OE
SF
CAS0
CAS1
CAS2
CAS3

LAD[00:31]



**VIDEO CPU BOARD
PAGE 3-17**

ECN	CHANGE	DATE
-----	--------	------

INFORMATION CONTAINED HEREIN IS CONFIDENTIAL PROPERTY AND MAY NOT BE USED OR DISCLOSED WITHOUT EXPRESS WRITTEN CONSENT FROM THE COMPANY.					
PROJECT ENG.	1ST PROJ. NO.	DATE	WILLIAMS ELECTRONICS GAMES MIDWAY MANUFACTURING CO. 3401 N. CALIFORNIA AVENUE CHICAGO ILLINOIS USA		
STEVE CORRELL			TITLE		
DWN. BY	DATE	1ST USAGE	DATE	XUNIT	
RSC	5-12-1994_12:05			34020 MICROPROCESSOR	
CHECKED	DATE	CURRENT PROJ.	DATE	PART NO.	
				16-9518	
APPROVED	DATE	SHEET	OF	REV.	
		2	26	4	

A

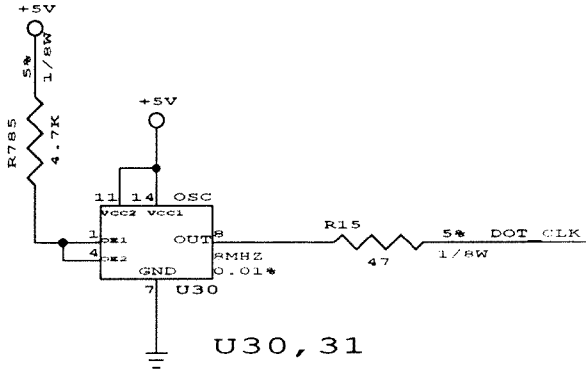
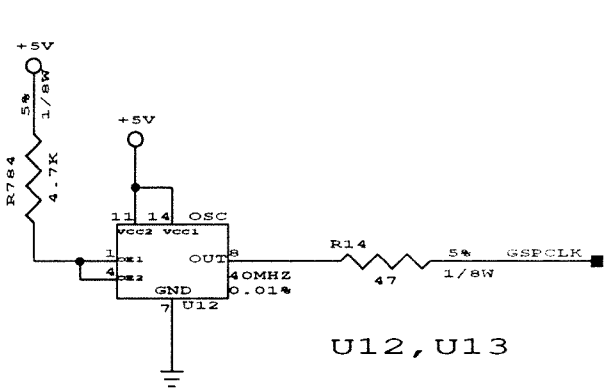
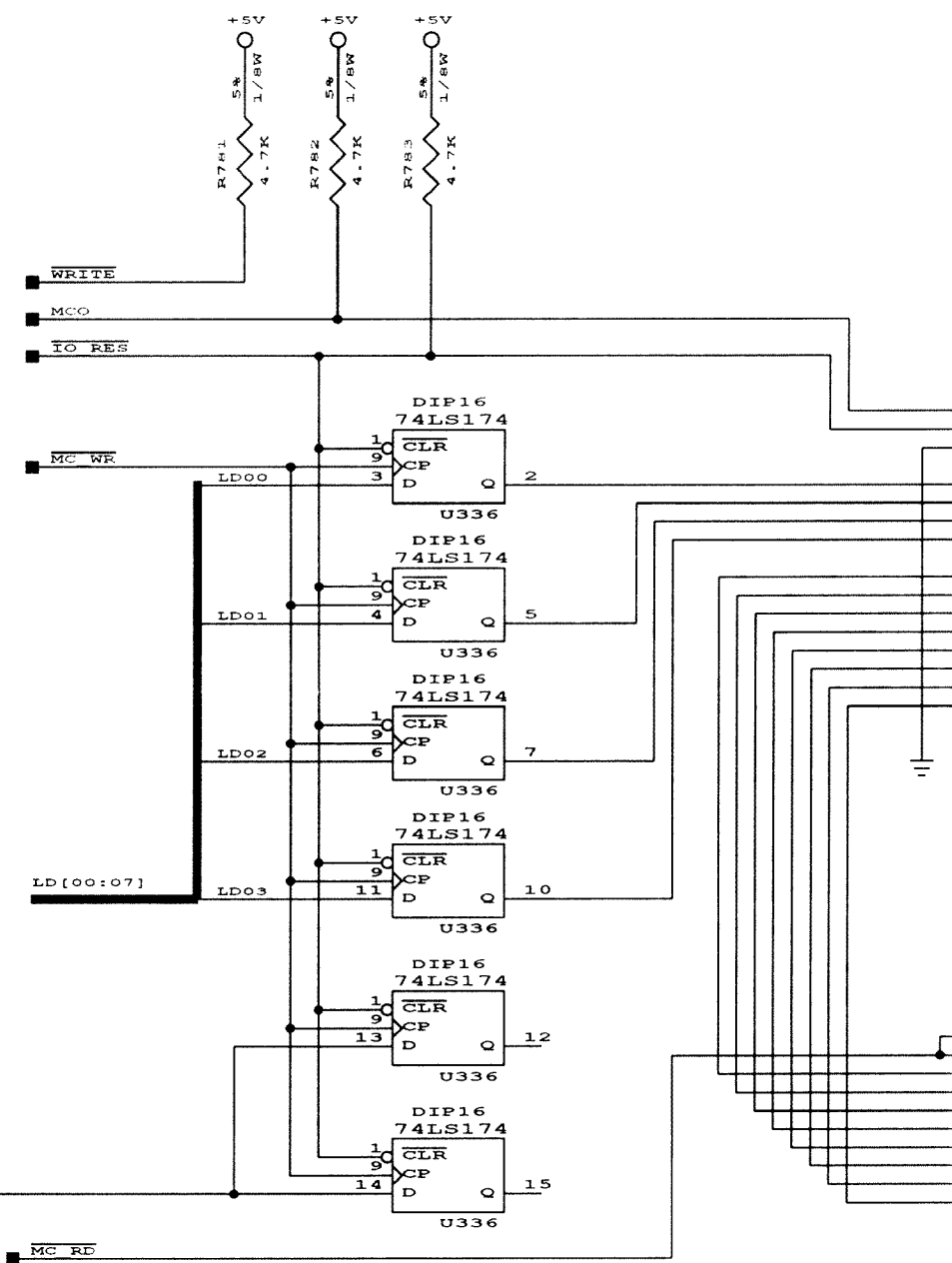
B

1

2

3

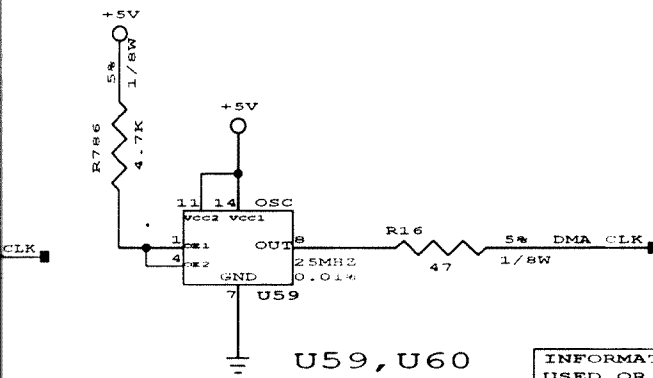
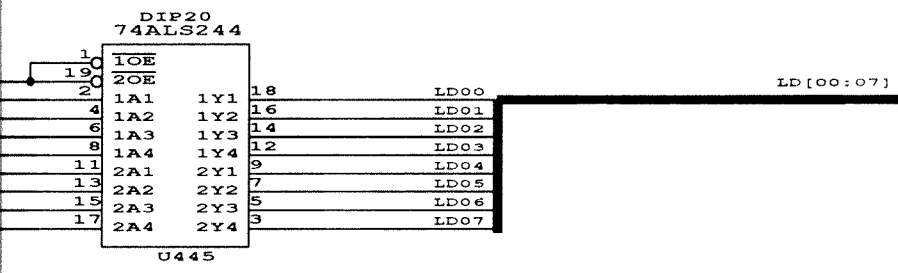
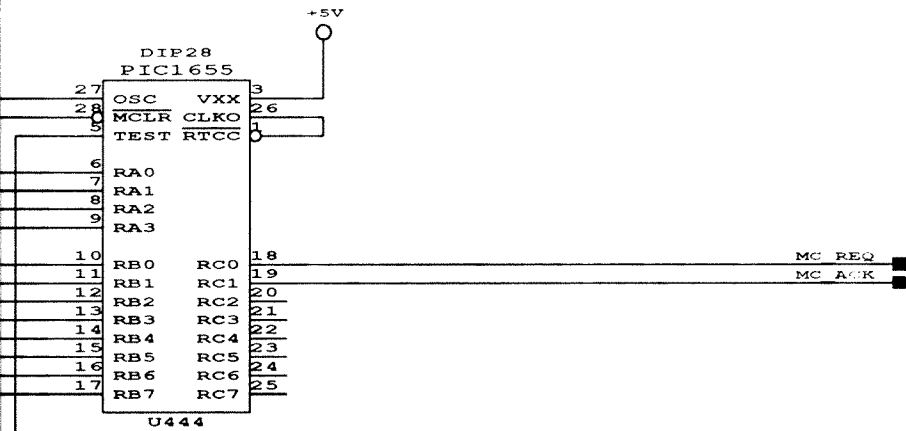
4



NOTE : OSCILLATORS HAVE DUAL FOOTPRINT WITH TWO REFDES ATTRIBUTES.
 REFDES USED IS DEPENDANT UPON

A

B



VIDEO CPU BOARD
PAGE 3-18

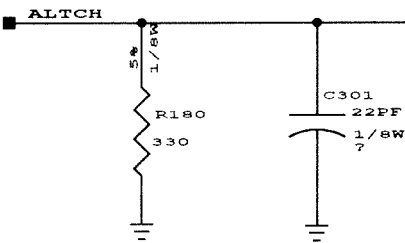
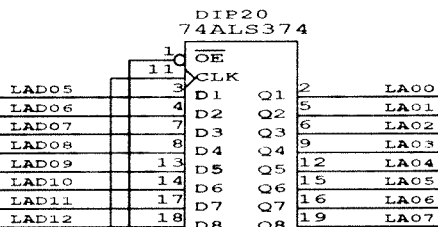
ECN	CHANGE	DATE
-----	--------	------

INFORMATION CONTAINED HEREIN IS CONFIDENTIAL PROPERTY AND MAY NOT BE USED OR DISCLOSED WITHOUT EXPRESS WRITTEN CONSENT FROM THE COMPANY.					
PROJECT ENG.	1ST PROJ. NO.	DATE	WILLIAMS ELECTRONICS GAMES MIDWAY MANUFACTURING CO. 3401 N. CALIFORNIA AVENUE CHICAGO ILLINOIS USA		
STEVE CORRELL			TITLE XUNIT		
DWN. BY	DATE	1ST USAGE	DATE	CAN BUS AND CLOCK GENERATION CIRCUITRY	
RSC	S-12-1994_12:06	CURRENT PROJ.	DATE	PART NO. 16-9518	
CHECKED	DATE	SHEET	OF	REV.	4
APPROVED	DATE	3	26		

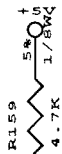
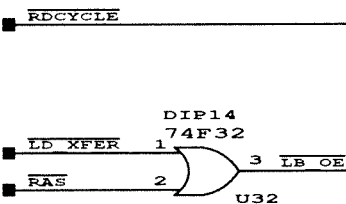
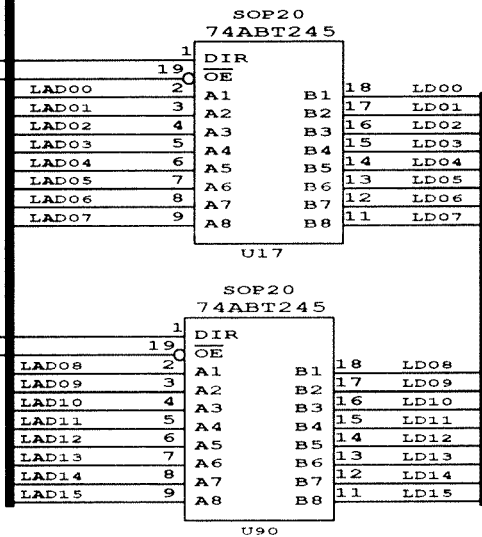
PRINTS
ON PACKAGE USED.

LAD[00:31]

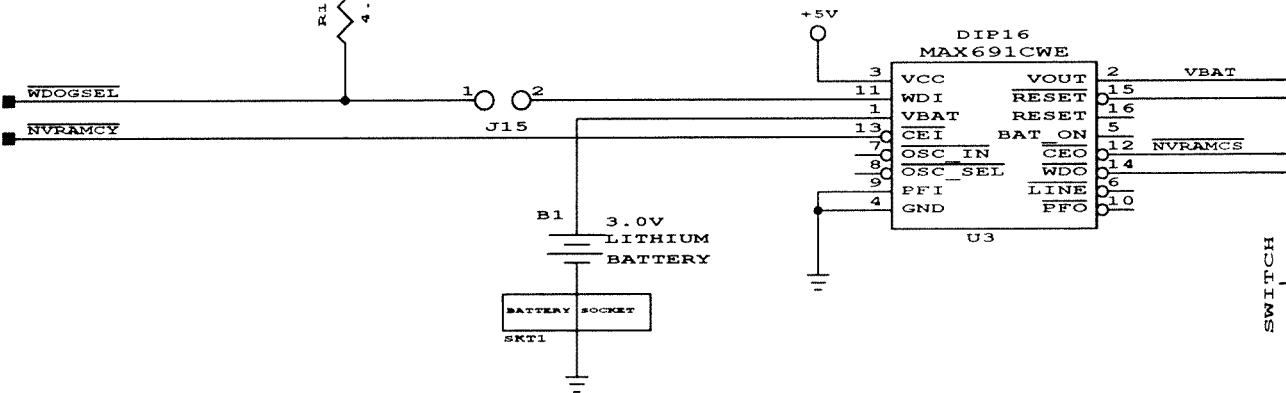
LOCAL BUS ADDRESS LATCH

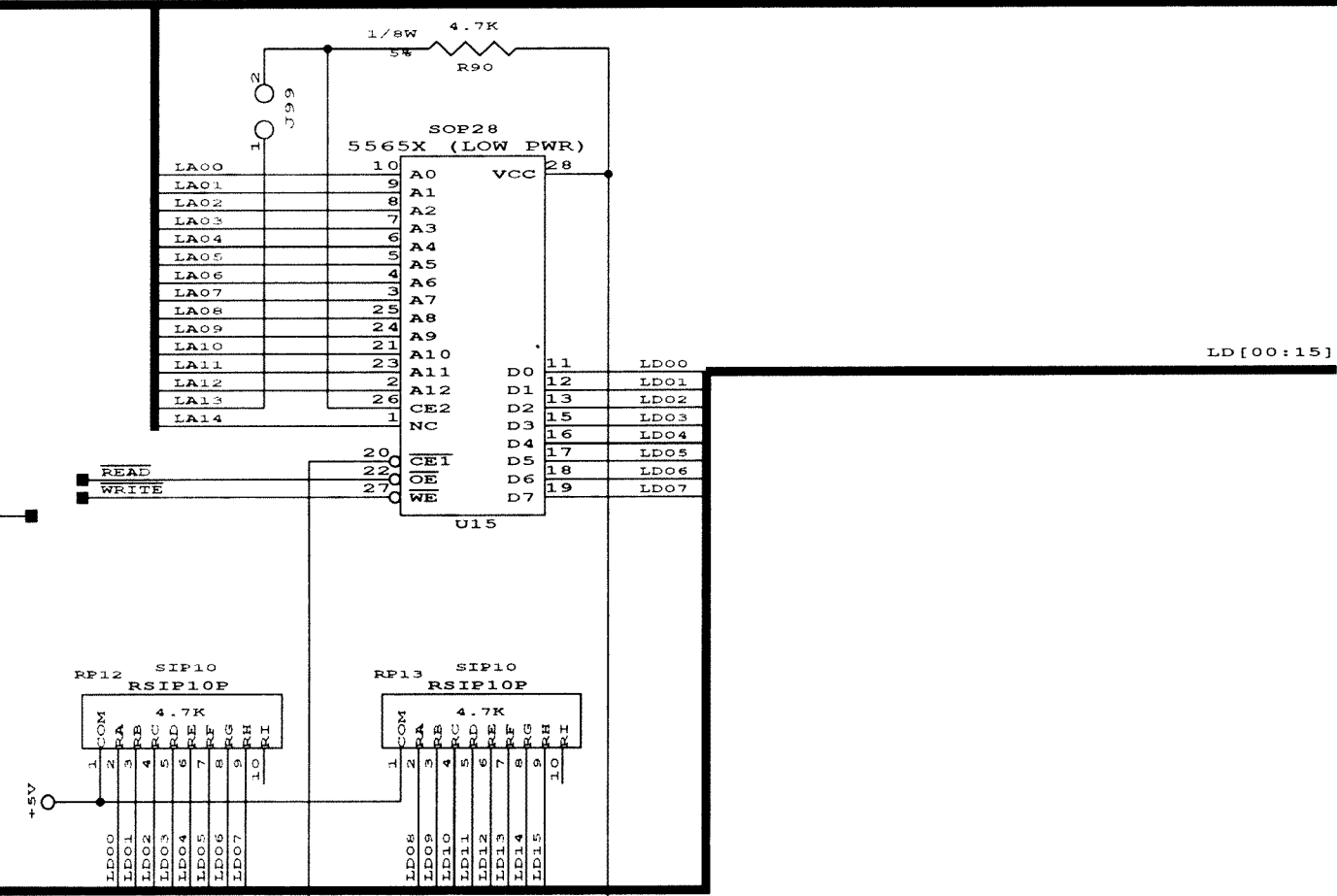


LOCAL BUS DATA XCVR

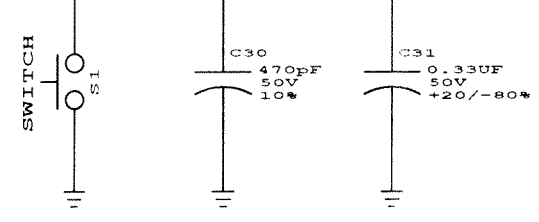
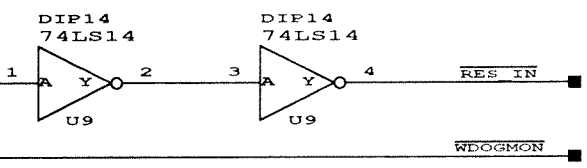


RESET CIRCUITRY





**VIDEO CPU BOARD
PAGE 3-19**



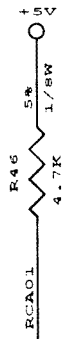
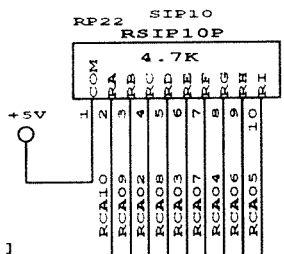
ECN		CHANGE		DATE	
INFORMATION CONTAINED HEREIN IS CONFIDENTIAL PROPERTY AND MAY NOT BE USED OR DISCLOSED WITHOUT EXPRESS WRITTEN CONSENT FROM THE COMPANY.					
PROJECT ENG.		1ST PROJ. NO.	DATE	WILLIAMS ELECTRONICS GAMES MIDWAY MANUFACTURING CO. 3401 N. CALIFORNIA AVENUE CHICAGO ILLINOIS USA	
STEVE CORRELL				TITLE	
DWN. BY	DATE	1ST USAGE	DATE	XUNIT	
RSC	5-12-1994_12:06			LOCAL BUS INTERFACE AND CMOS RAM	
CHECKED	DATE	CURRENT PROJ.	DATE	PART NO.	
				16-9518	
APPROVED	DATE	SHEET	OF	REV.	
		4	26	4	

A

B

SCRATCH

1



BANK 0
(OPTIONAL)

RCA[01:10]

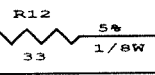
40PSOJ
256KX16 DRAM

LAD[00:31]

RCA02 16	A0	I/O0	2	LAD00
RCA03 17	A1	I/O1	3	LAD01
RCA04 18	A2	I/O2	4	LAD02
RCA05 19	A3	I/O3	5	LAD03
RCA06 22	A4	I/O4	7	LAD04
RCA07 23	A5	I/O5	8	LAD05
RCA08 24	A6	I/O6	9	LAD06
RCA09 25	A7	I/O7	10	LAD07
RCA10 26	A8	I/O8	31	LAD08
		I/O9	32	LAD09
		I/O10	33	LAD10
14	RAS	I/O11	34	LAD11
13	WE	I/O12	36	LAD12
29	LCAS	I/O13	37	LAD13
28	UCAS	I/O14	38	LAD14
27	OE	I/O15	39	LAD15

U25

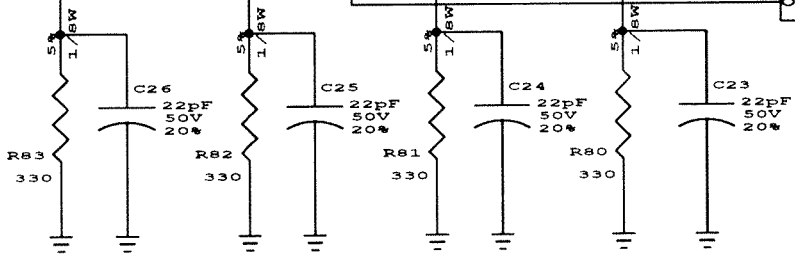
DRBORAS
WE
CAS0
CAS1
TR OE



RCA02 16	A0	I/O0	2	LAD16
RCA03 17	A1	I/O1	3	LAD17
RCA04 18	A2	I/O2	4	LAD18
RCA05 19	A3	I/O3	5	LAD19
RCA06 22	A4	I/O4	7	LAD20
RCA07 23	A5	I/O5	8	LAD21
RCA08 24	A6	I/O6	9	LAD22
RCA09 25	A7	I/O7	10	LAD23
RCA10 26	A8	I/O8	31	LAD24
		I/O9	32	LAD25
		I/O10	33	LAD26
14	RAS	I/O11	34	LAD27
13	WE	I/O12	36	LAD28
29	LCAS	I/O13	37	LAD29
28	UCAS	I/O14	38	LAD30
27	OE	I/O15	39	LAD31

U11

CAS2
CAS3



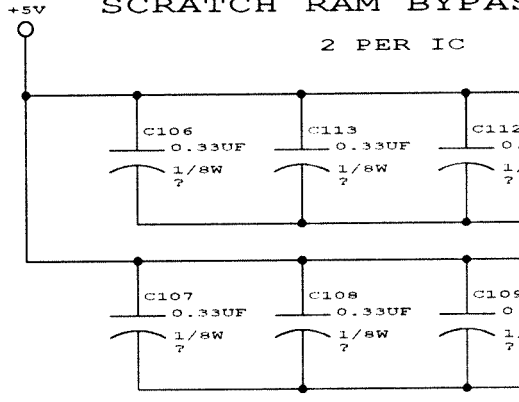
2

3

4

SCRATCH RAM BYPASS

2 PER IC

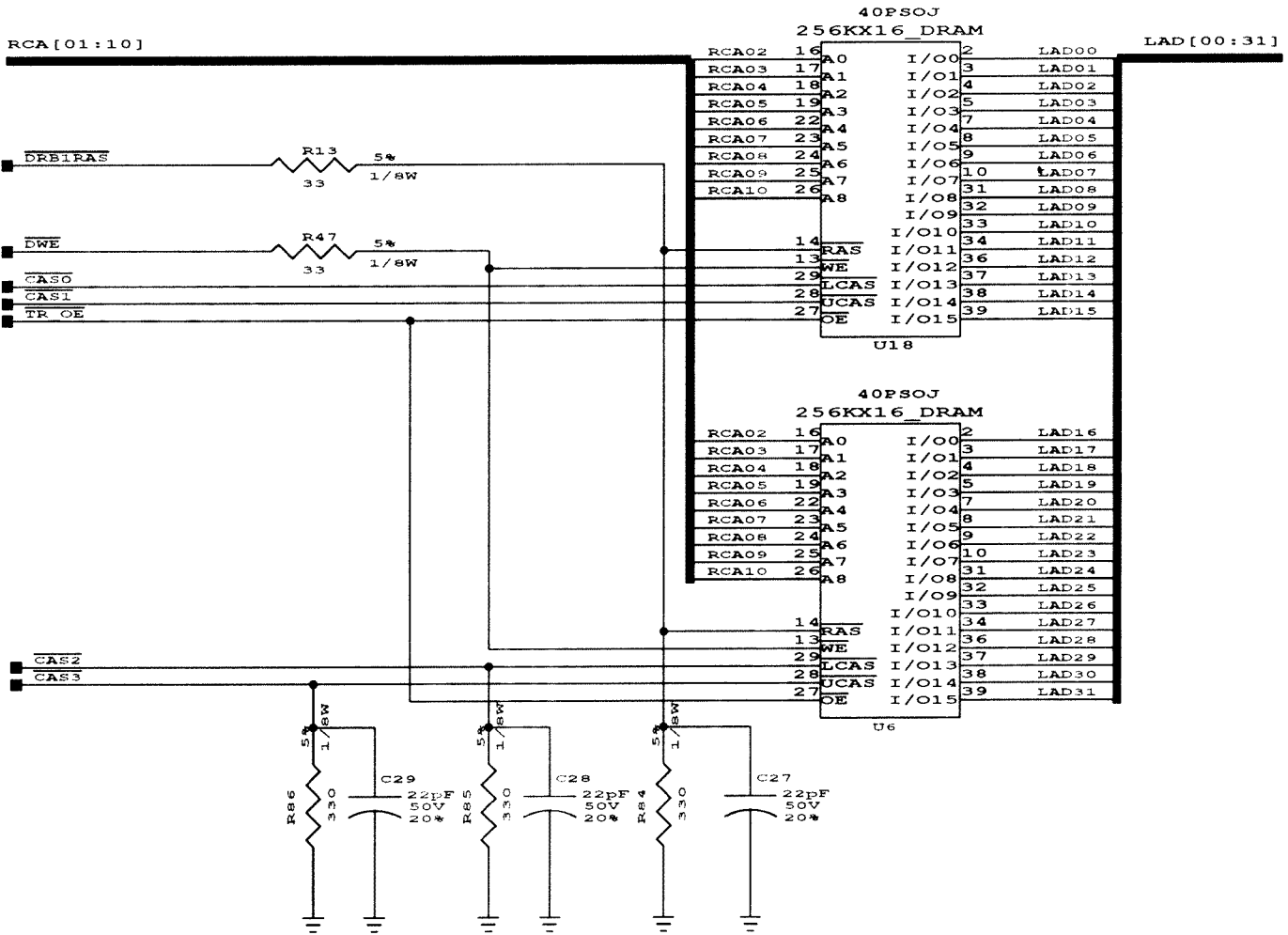


A

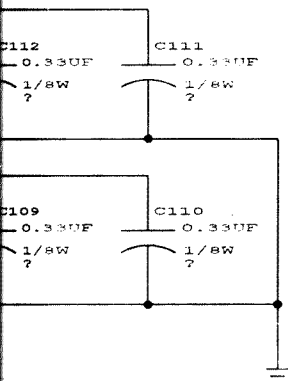
B

CH/MEMORY DRAM

BANK 1



PASS CAPS :



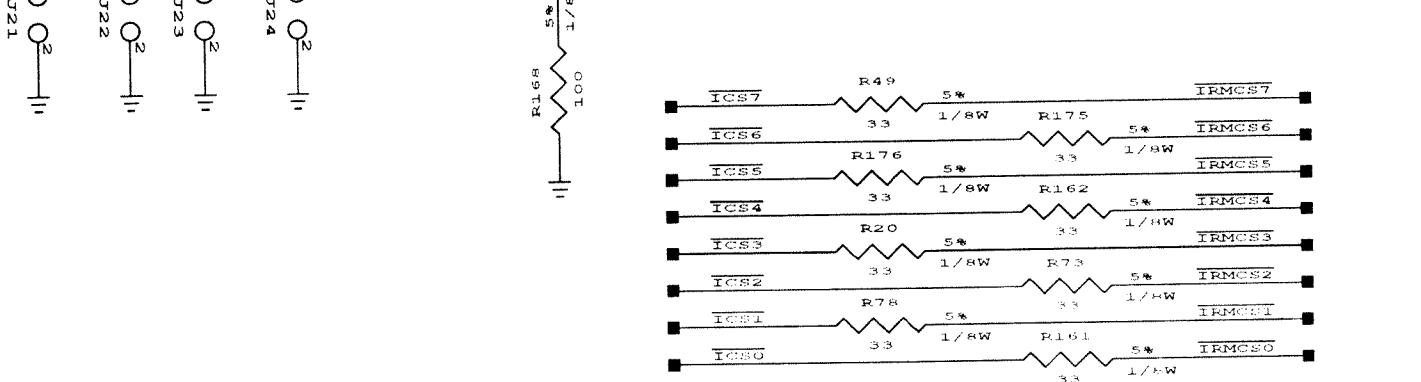
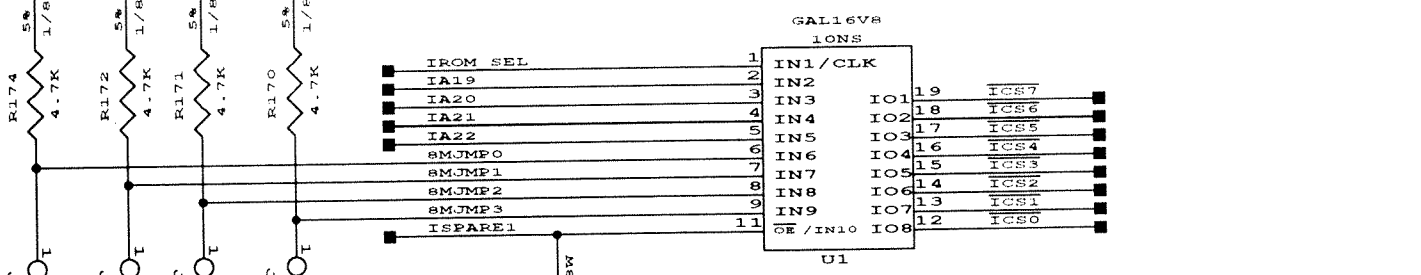
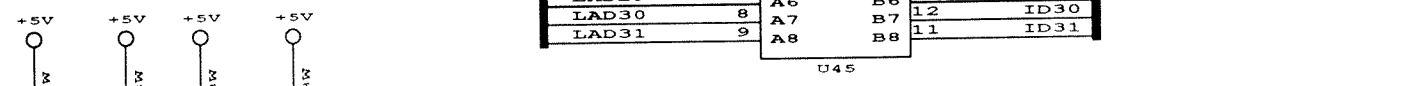
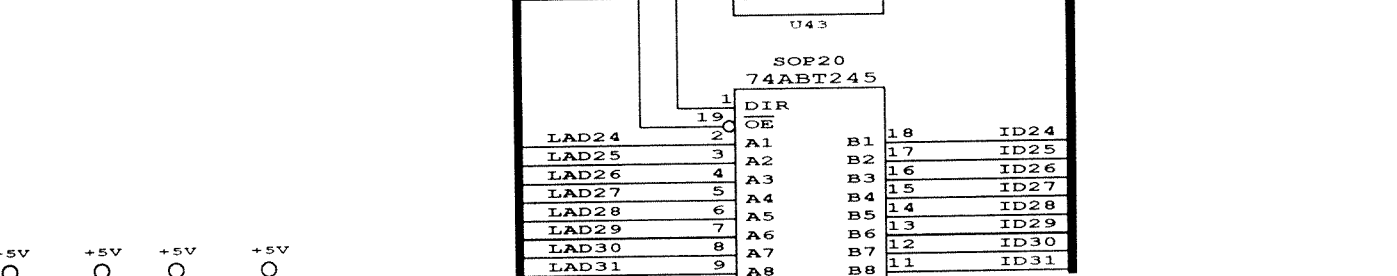
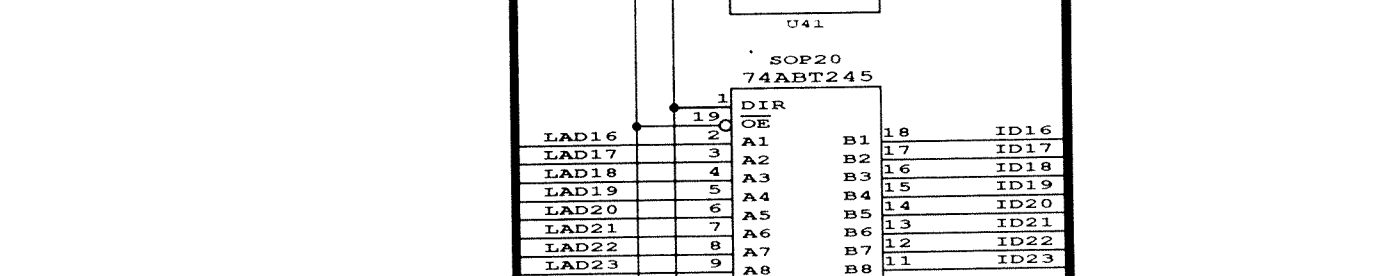
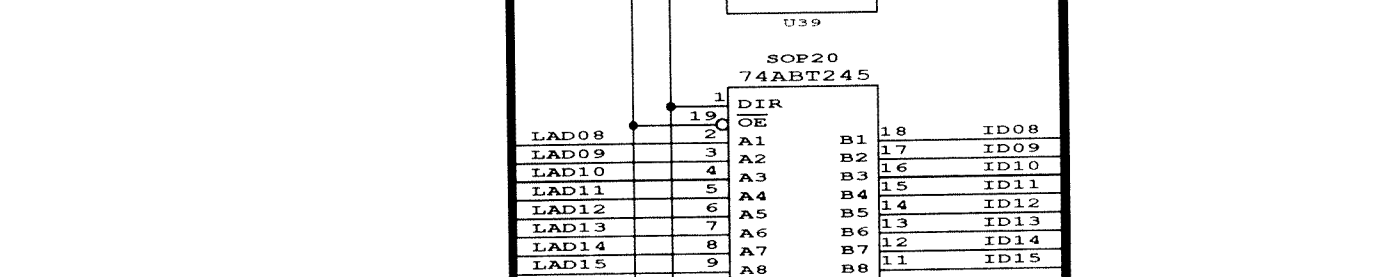
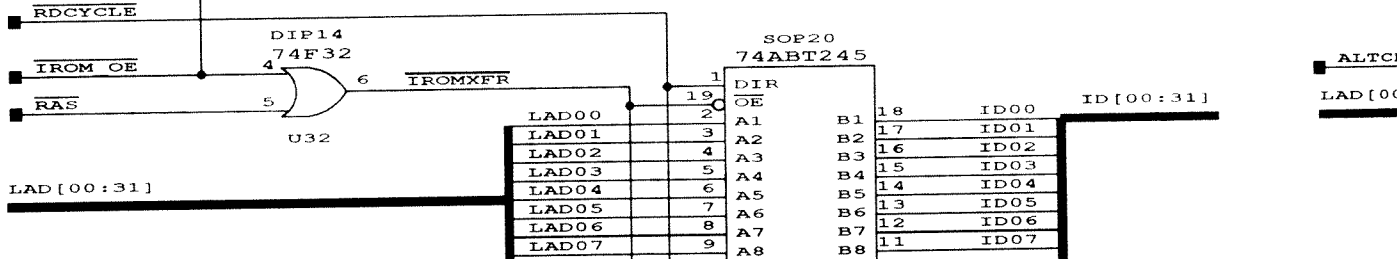
VIDEO CPU BOARD
PAGE 3-20

ECN		CHANGE		DATE
INFORMATION CONTAINED HEREIN IS CONFIDENTIAL PROPERTY AND MAY NOT BE USED OR DISCLOSED WITHOUT EXPRESS WRITTEN CONSENT FROM THE COMPANY.				
PROJECT ENG.		1ST PROJ. NO.	DATE	WILLIAMS ELECTRONICS GAMES
STEVE CORRELL				MIDWAY MANUFACTURING CO.
DWN. BY	DATE	1ST USAGE	DATE	3401 N. CALIFORNIA AVENUE
RSC	5-12-1994_12:06			CHICAGO ILLINOIS USA
CHECKED	DATE	CURRENT PROJ.	DATE	TITLE
				XUNIT
				EXECUTION/SCRATCH RAM
APPROVED	DATE	SHEET	OF	PART NO.
		5	26	16-9518
				REV.
				4

A

B

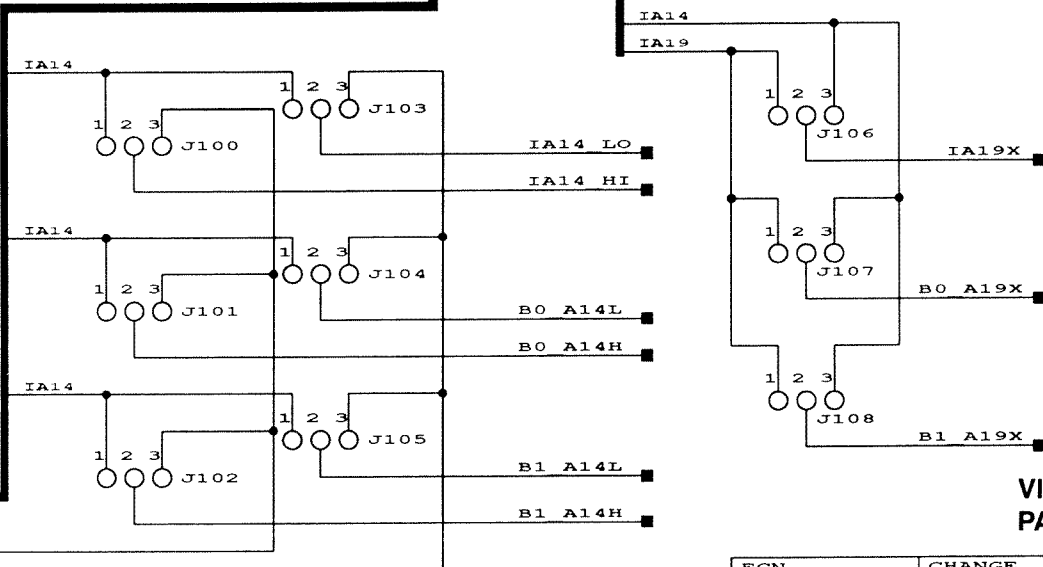
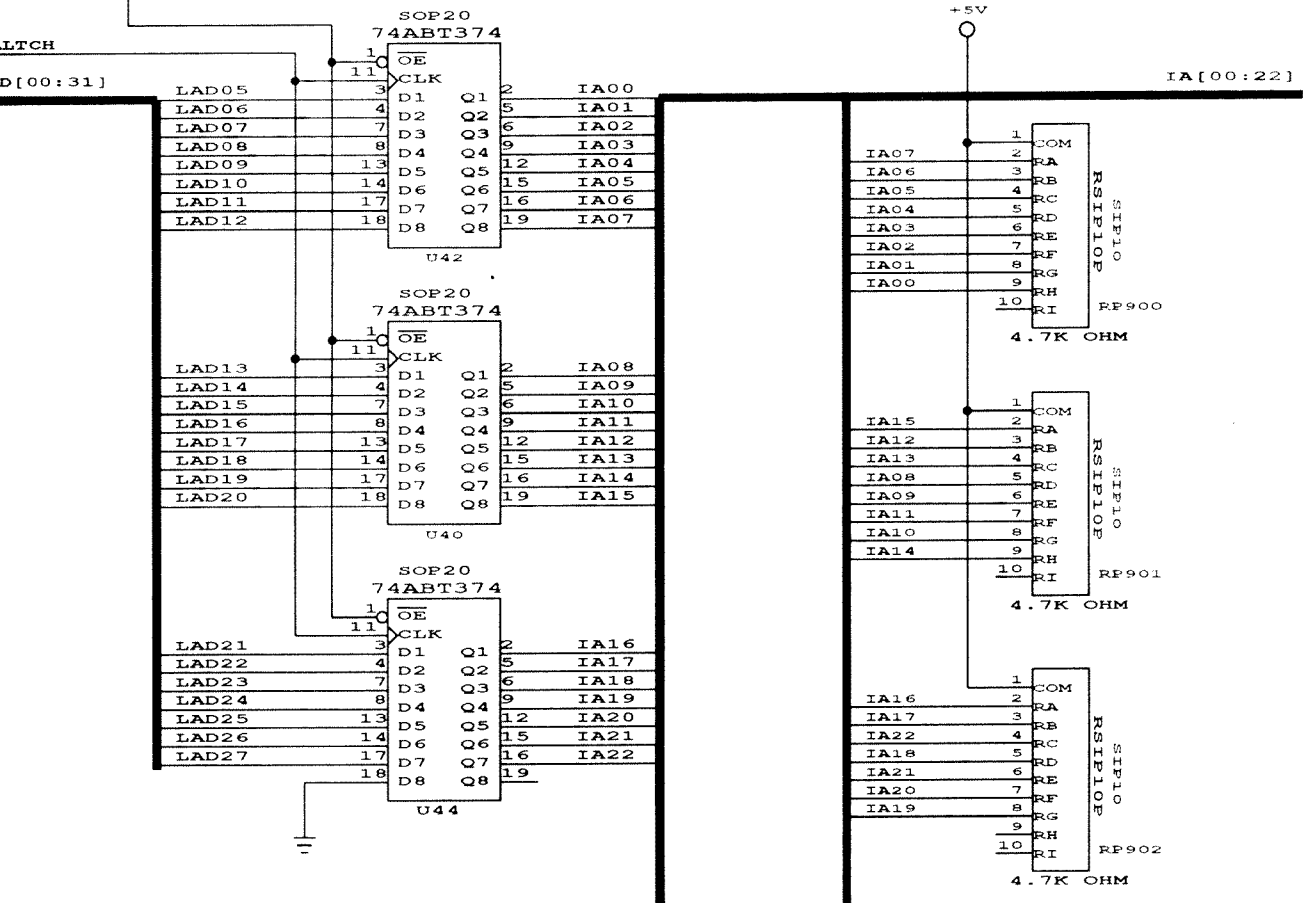
GSP IMAGE ROM DATA XCVR



A

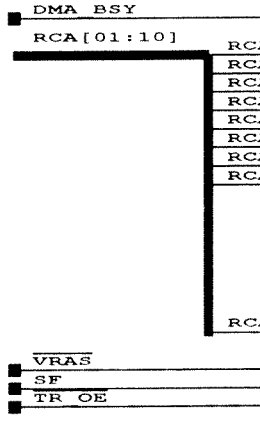
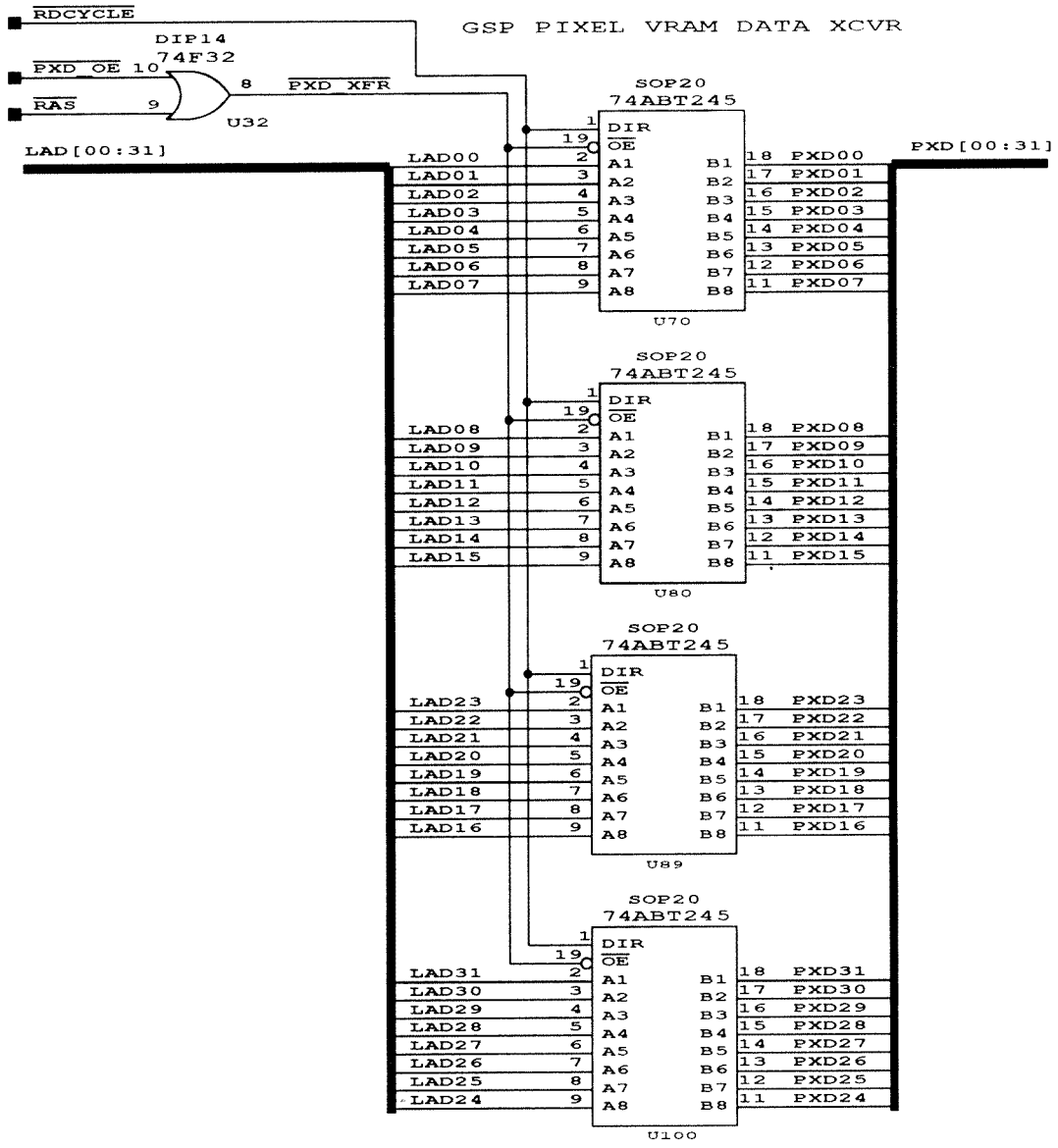
B

GSP IMAGE ROM ADDRESS LATCH

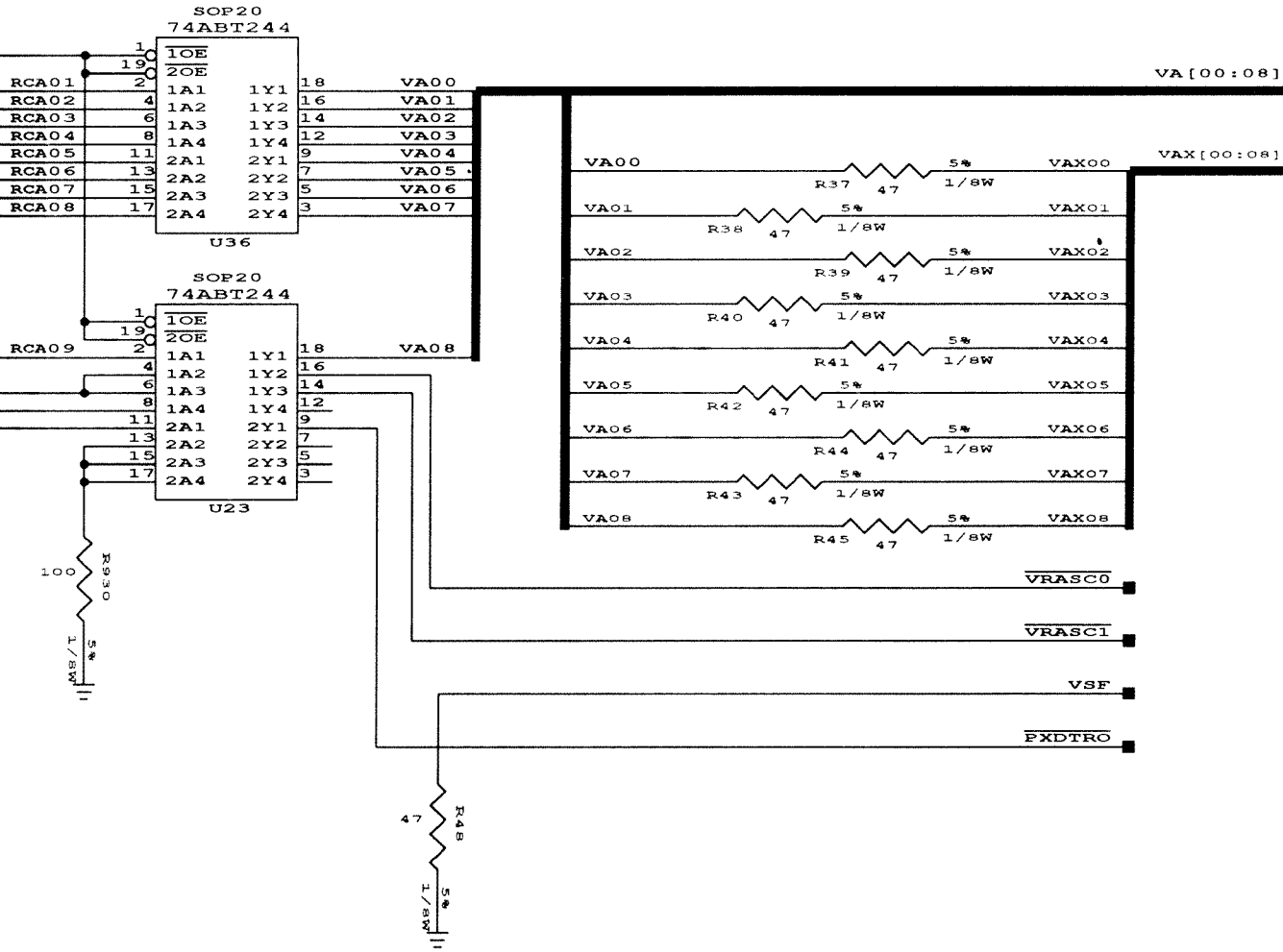


VIDEO CPU BOARD
PAGE 3-21

FROMWEL		ECN		CHANGE		DATE	
FROMWEO		INFORMATION CONTAINED HEREIN IS CONFIDENTIAL PROPERTY AND MAY NOT BE USED OR DISCLOSED WITHOUT EXPRESS WRITTEN CONSENT FROM THE COMPANY.					
PROJECT ENG.		1ST PROJ. NO.		DATE		WILLIAMS ELECTRONICS GAMES	
STEVE CORRELL						MIDWAY MANUFACTURING CO.	
DWN. BY		DATE		1ST USAGE		DATE	
RSC 5-12-1994_12:07						3401 N. CALIFORNIA AVENUE	
CHECKED		DATE		CURRENT PROJ.		DATE	
						CHICAGO ILLINOIS USA	
APPROVED		DATE		SHEET		OF	
				6		26	
				PART NO.		REV.	
				16-9518		4	
				TITLE		XUNIT	
				GSP TO IMAGE ROM		INTERFACE CIRCUITRY	



GSP VRAM ADDRESS BUFFER



VIDEO CPU BOARD
PAGE 3-22

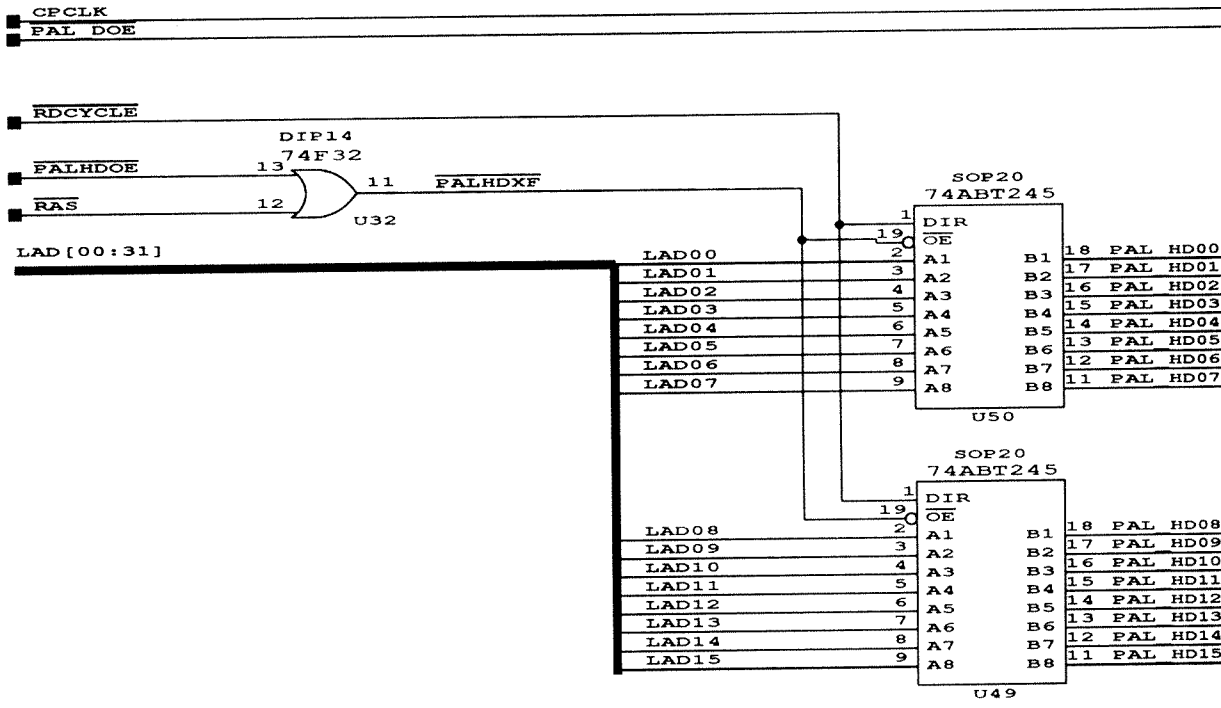
ECN	CHANGE	DATE
INFORMATION CONTAINED HEREIN IS CONFIDENTIAL PROPERTY AND MAY NOT BE USED OR DISCLOSED WITHOUT EXPRESS WRITTEN CONSENT FROM THE COMPANY.		
PROJECT ENG.	1ST PROJ. NO.	DATE
STEVE CORRELL		
DWN. BY	DATE	1ST USEAGE
RSC 5-12-1994_12:07		
CHECKED	DATE	CURRENT PROJ.
		DATE
APPROVED	DATE	SHEET
		OF
		7
		26
TITLE		
XUNIT		
GSP TO VRAM		
INTERFACE CIRCUITRY		
PART NO.	REV.	
16-9518	4	

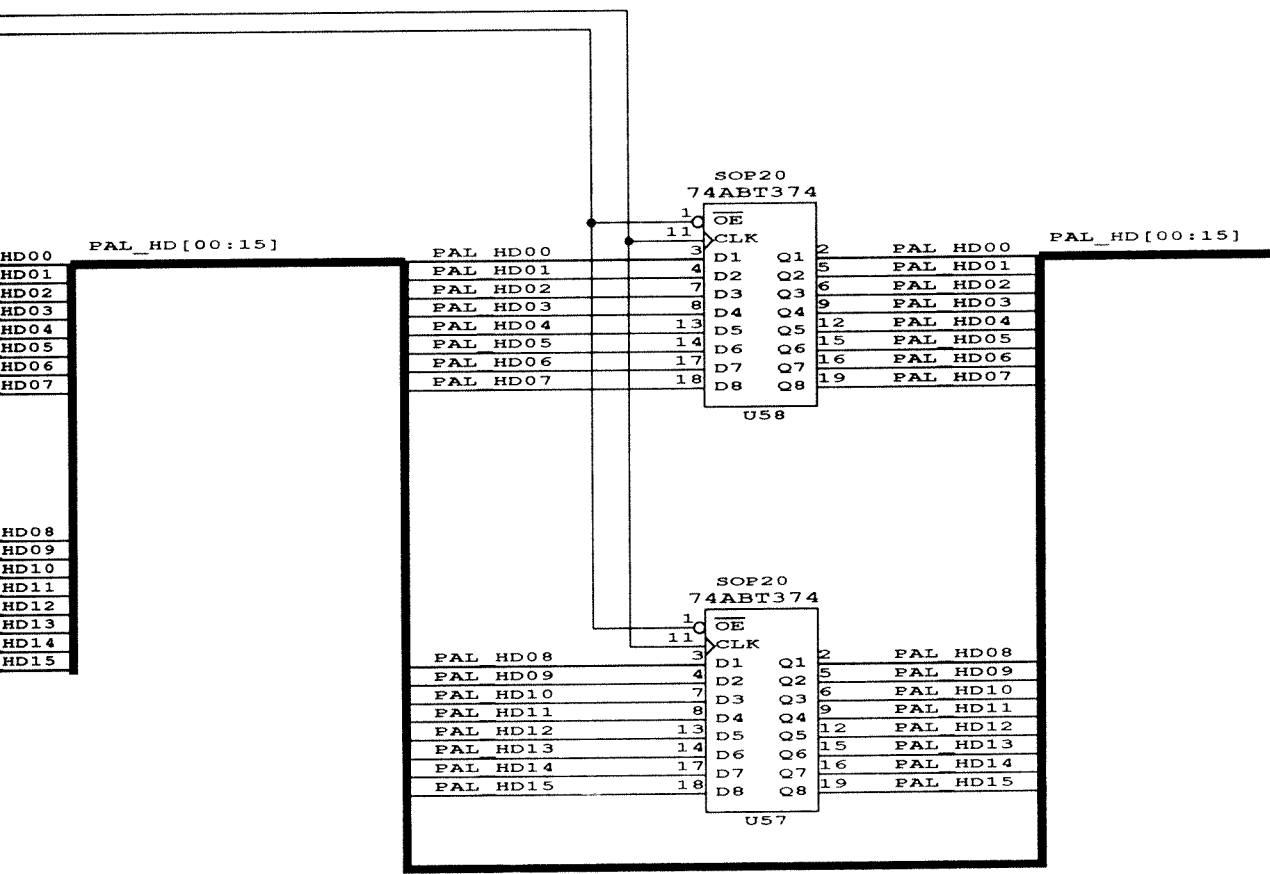
1

2

3

4





HD00
HD01
HD02
HD03
HD04
HD05
HD06
HD07

HD08
HD09
HD10
HD11
HD12
HD13
HD14
HD15

**VIDEO CPU BOARD
PAGE 3-23**

ECN		CHANGE		DATE
INFORMATION CONTAINED HEREIN IS CONFIDENTIAL PROPERTY AND MAY NOT BE USED OR DISCLOSED WITHOUT EXPRESS WRITTEN CONSENT FROM THE COMPANY.				
PROJECT ENG.	1ST PROJ. NO.	DATE	WILLIAMS ELECTRONICS GAMES MIDWAY MANUFACTURING CO. 3401 N. CALIFORNIA AVENUE CHICAGO ILLINOIS USA	
STEVE CORRELL			TITLE XUNIT	
DWN. BY	DATE	1ST USAGE	DATE	FIFO CIRCUITRY/ PALETTE AND DMA COMMAND BUS
RSC	5-12-1994_12:09			
CHECKED	DATE	CURRENT PROJ.	DATE	
APPROVED	DATE	SHEET	OF	PART NO. REV.
		8	26	16-9518 4

1

2

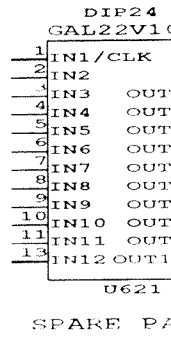
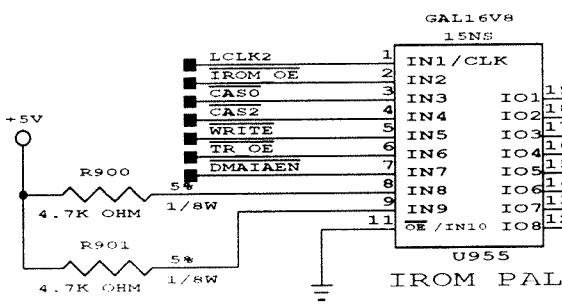
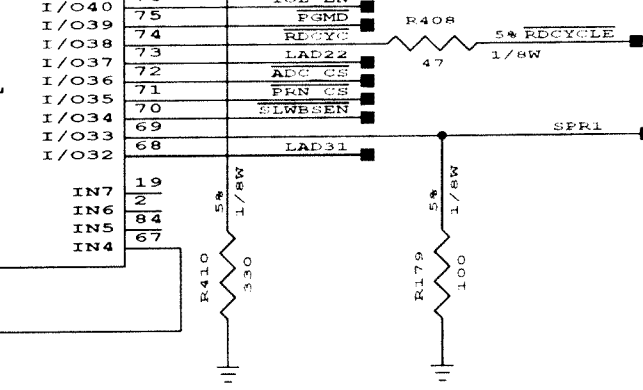
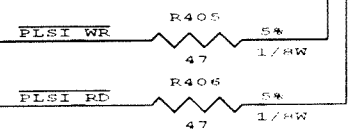
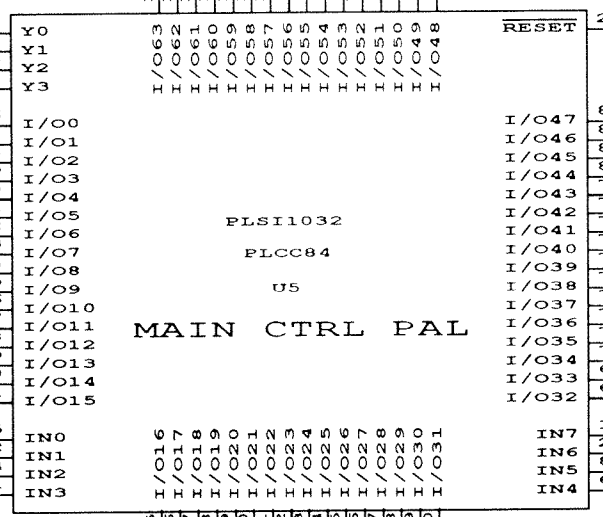
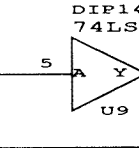
3

4

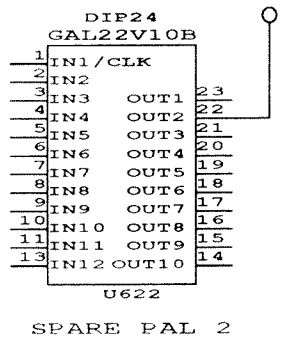
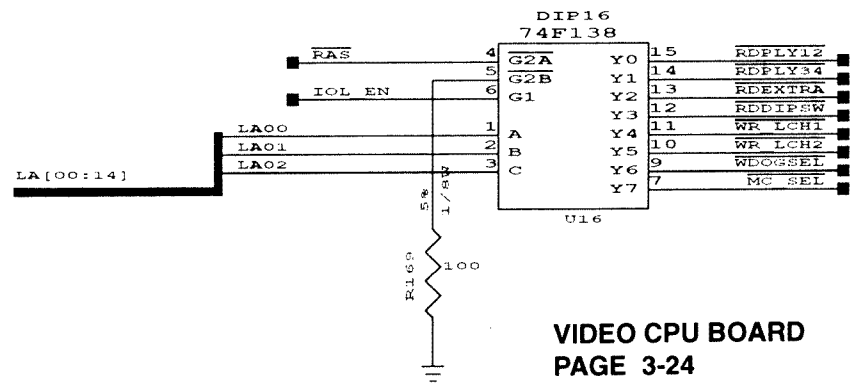
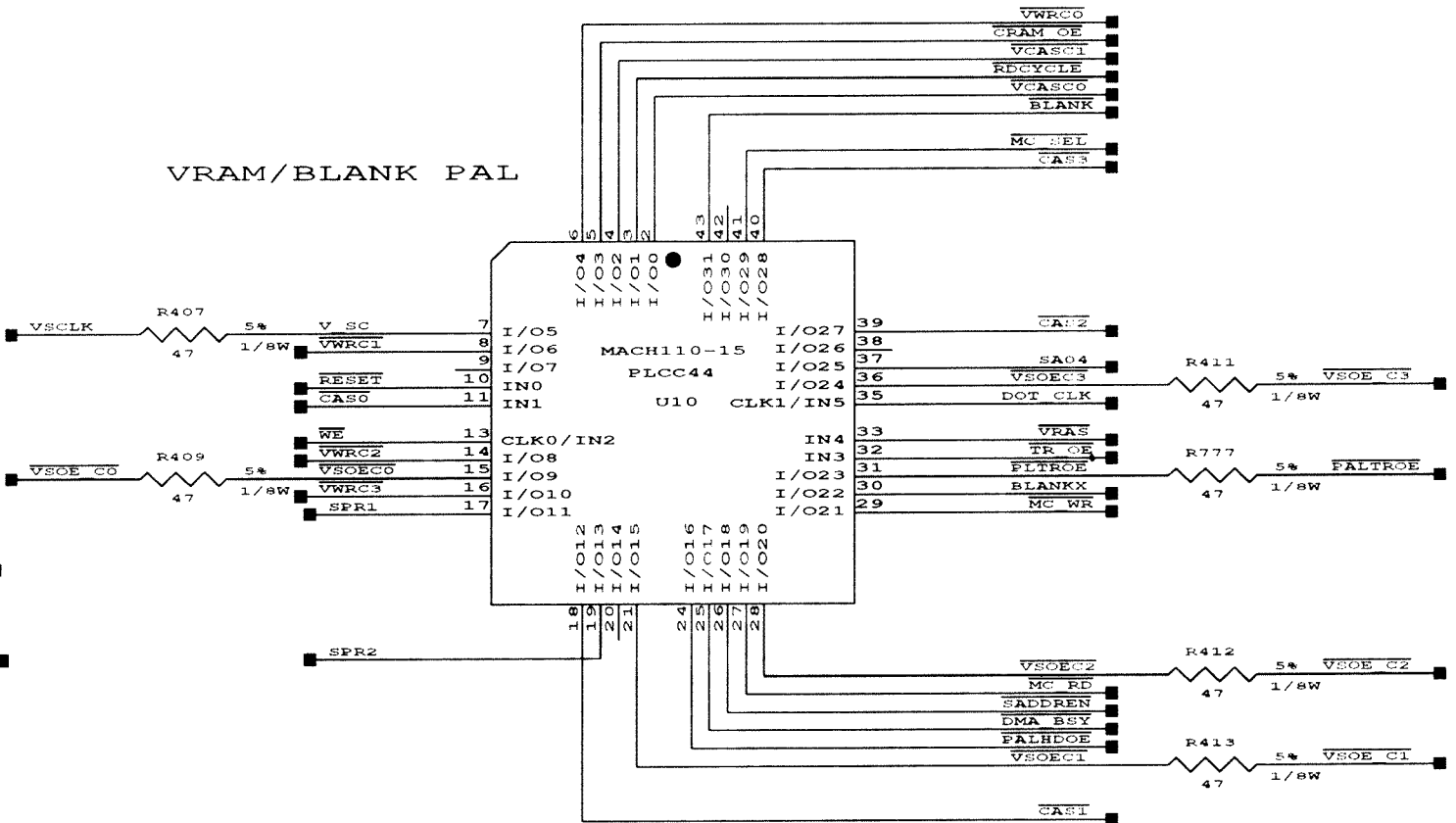
- WE
- PAL DOE
- READ
- WRITE
- PALHDOE
- DMA BSY
- NVRAMCY
- FXD OE
- WDGSMON
- CRAM WE
- DMATAEN
- CRAMCYC
- DMA CE
- LAD15
- SADDRN
- DMA HAK

- ALTKH
- LCLK2
- CAMD
- LED
- VRASCO
- VRAS
- BNK SEL
- DRBIRAS
- DMA GOX
- PLTROE
- DRBGRAS
- MCO
- DWE
- RESET
- LAD29
- DMA HRQ

- ADC INT
- MC ACK
- DDIN
- VRASCI
- TO RES
- MC REQ
- LAD30
- LAD01
- BUS FLT
- LAD03
- LAD00
- LRDY
- LAD02
- DMA GO
- RAS
- LAD23
- LINTZ
- DMA VCLK



VRAM/BLANK PAL



VIDEO CPU BOARD
PAGE 3-24

ECN		CHANGE		DATE
INFORMATION CONTAINED HEREIN IS CONFIDENTIAL PROPERTY AND MAY NOT BE USED OR DISCLOSED WITHOUT EXPRESS WRITTEN CONSENT FROM THE COMPANY.				
PROJECT ENG.		1ST PROJ. NO.	DATE	WILLIAMS ELECTRONICS GAMES MIDWAY MANUFACTURING CO. 3401 N. CALIFORNIA AVENUE CHICAGO ILLINOIS USA
STEVE CORRELL				TITLE
DWN. BY	DATE	1ST USAGE	DATE	XUNIT
JML	5-12-1994_12:10			FLD/CONTROL
CHECKED	DATE	CURRENT PROJ.	DATE	PART NO.
				16-9518
APPROVED	DATE	SHEET	OF	REV.
		9	26	4

PAL_HD[00:15]

ID[00:31]

ID00	30	ID0
ID01	31	ID1
ID02	32	ID2
ID03	33	ID3
ID04	34	ID4
ID05	35	ID5
ID06	36	ID6
ID07	37	ID7
ID08	38	ID8
ID09	40	ID9
ID10	42	ID10
ID11	43	ID11
ID12	44	ID12
ID13	45	ID13
ID14	46	ID14
ID15	47	ID15
ID16	48	ID16
ID17	49	ID17
ID18	50	ID18
ID19	51	ID19
ID20	52	ID20
ID21	53	ID21
ID22	54	ID22
ID23	55	ID23
ID24	56	ID24
ID25	57	ID25
ID26	58	ID26
ID27	59	ID27
ID28	62	ID28
ID29	63	ID29
ID30	64	ID30
ID31	65	ID31

RESET
 CPCLK
 DMA_CS
 READ
 WRITE

DMA_CLK
 DMA_VCLK
 DMA_HRQ
 DMA_HAK
 LINT1

SA04
 LA00
 LA01
 LA02

VSF

RESETZ
 PALZ
 CSZ
 RDZ
 WRZ
 CLK
 VCLK
 HALTZ
 IRQZ
 ENDO

75 PAL_HD00
 HD1 76 PAL_HD01
 HD2 77 PAL_HD02
 HD3 78 PAL_HD03
 HD4 79 PAL_HD04
 HD5 80 PAL_HD05
 HD6 81 PAL_HD06
 HD7 82 PAL_HD07
 HD8 83 PAL_HD08
 HD9 84 PAL_HD09
 HD10 85 PAL_HD10
 HD11 86 PAL_HD11
 HD12 87 PAL_HD12
 HD13 88 PAL_HD13
 HD14 89 PAL_HD14
 HD15 90 PAL_HD15

22 VA00
 23 VA01
 24 VA02
 25 VA03
 26 VA04
 27 VA05
 28 VA06
 29 VA07
 158 VA08

DMA2
 QFP160
 U76

AO
 A1
 A2
 A3
 RA0 131
 RA1 132
 RA2 133
 RA3 134
 RA4 135
 RA5 136
 RA6 137
 RA7 138
 RA8 139
 RA9 140
 RA10 141
 RA11 142
 RA12 143
 RA13 144
 RA14 145
 RA15 146
 RA16 147
 RA17 148
 RA18 149
 RA19 150
 RA20 151
 RA21 152
 RA22 153
 RA23 154

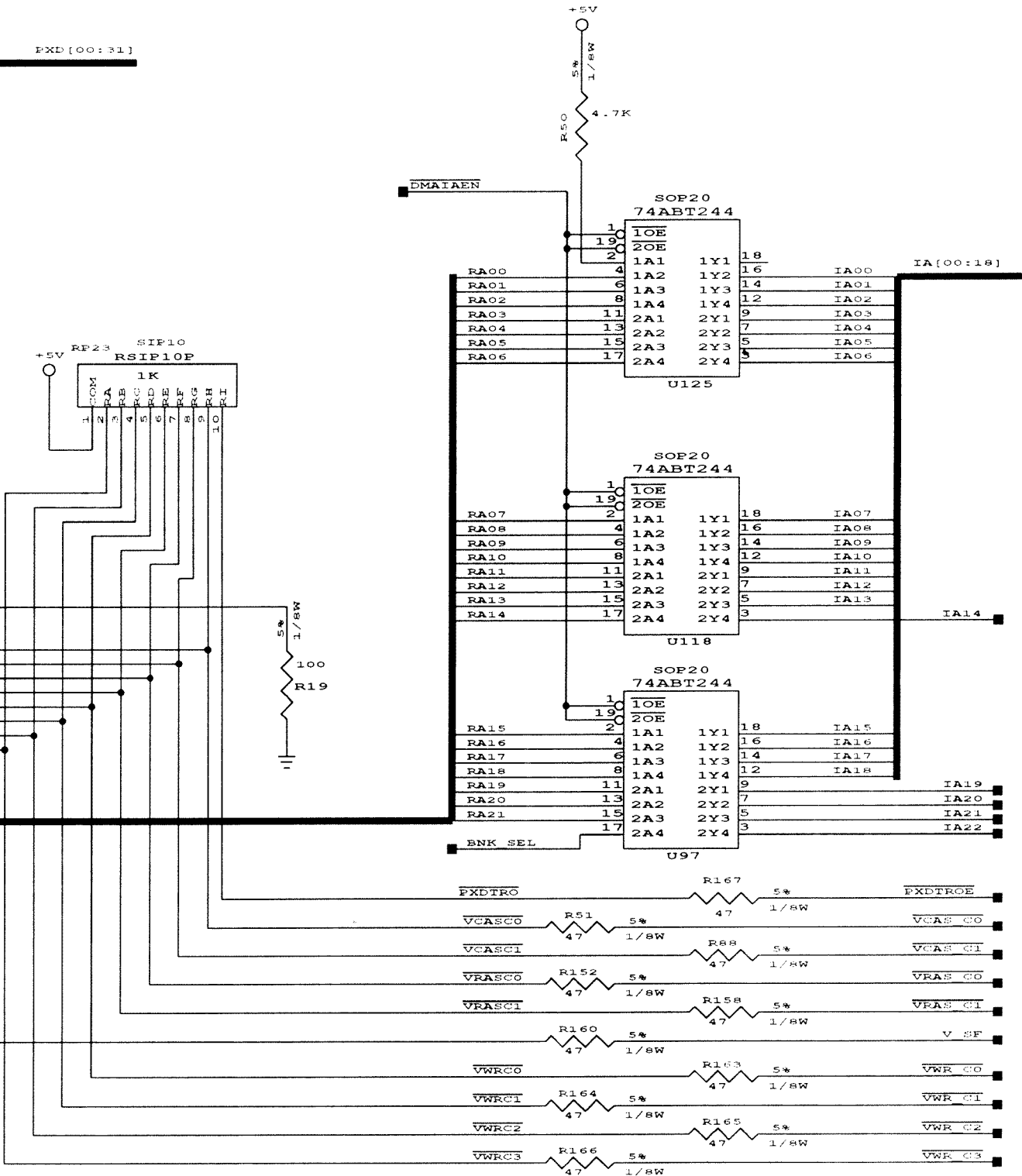
VD0	93	PXD
VD1	94	PXD
VD2	95	PXD
VD3	96	PXD
VD4	97	PXD
VD5	98	PXD
VD6	99	PXD
VD7	102	PXD
VD8	103	PXD
VD9	104	PXD
VD10	105	PXD
VD11	106	PXD
VD12	107	PXD
VD13	108	PXD
VD14	109	PXD
VD15	110	PXD
VD16	111	PXD
VD17	112	PXD
VD18	113	PXD
VD19	114	PXD
VD20	115	PXD
VD21	116	PXD
VD22	117	PXD
VD23	118	PXD
VD24	119	PXD
VD25	120	PXD
VD26	123	PXD
VD27	124	PXD
VD28	125	PXD
VD29	126	PXD
VD30	127	PXD
VD31	128	PXD
DMAGO	160	DMA G
DMAGOX	159	DMA G
RAENZ	157	RAEN
VIDENZ	156	DMA B
VCASZ0	12	VCAS
VCASZ1	13	VCAS
VRASZ0	14	VRAS
VRASZ1	15	VRAS
VWRZ0	16	VWRC
VWRZ1	17	VWRC
VWRZ2	18	VWRC
VWRZ3	19	VWRC

RA[00:21]

- PXD00
- PXD01
- PXD02
- PXD03
- PXD04
- PXD05
- PXD06
- PXD07
- PXD08
- PXD09
- PXD10
- PXD11
- PXD12
- PXD13
- PXD14
- PXD15
- PXD16
- PXD17
- PXD18
- PXD19
- PXD20
- PXD21
- PXD22
- PXD23
- PXD24
- PXD25
- PXD26
- PXD27
- PXD28
- PXD29
- PXD30
- PXD31

- DMA GO
- DMA GOX
- RAENZ
- DMA BSY

- VCASCO
- VCASCI
- VRASCO
- VRASCI
- VWRCO
- VWRC1
- VWRC2
- VWRC3



VIDEO CPU BOARD
PAGE 3-25

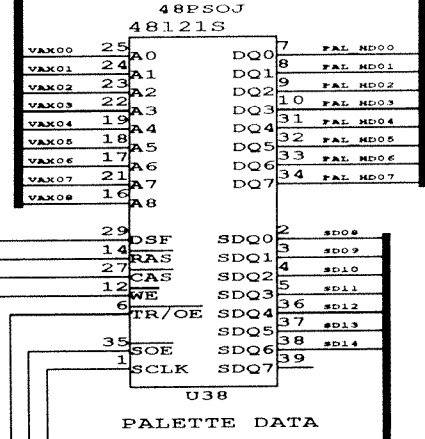
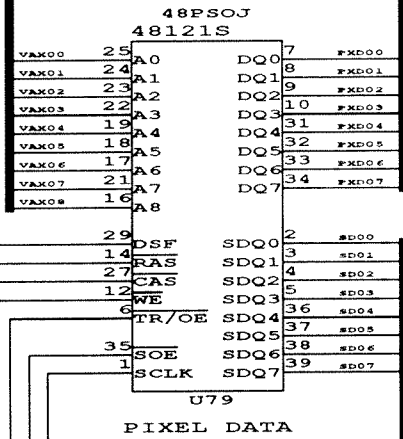
ECN		CHANGE		DATE
INFORMATION CONTAINED HEREIN IS CONFIDENTIAL PROPERTY AND MAY NOT BE USED OR DISCLOSED WITHOUT EXPRESS WRITTEN CONSENT FROM THE COMPANY.				
PROJECT ENG.	STEVE CORRELL	1ST PROJ. NO.	DATE	WILLIAMS ELECTRONICS GAMES MIDWAY MANUFACTURING CO. 3401 N. CALIFORNIA AVENUE CHICAGO ILLINOIS USA
DWN. BY	DATE	1ST USAGE	DATE	TITLE
RSC	5-12-1994_12:10			XUNIT
CHECKED	DATE	CURRENT PROJ.	DATE	DMA2
APPROVED	DATE	SHEET	OF	PART NO.
		10	25	16-9518
				REV. 4

VIDEO RAM - BANK 0

FAL_HD[00:15]

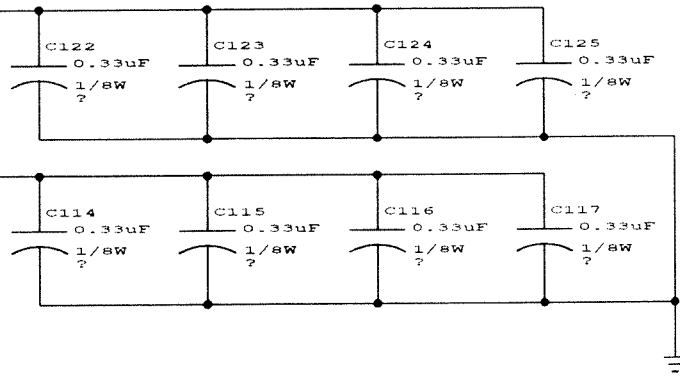
PXD[00:31]

VAX[00:08]

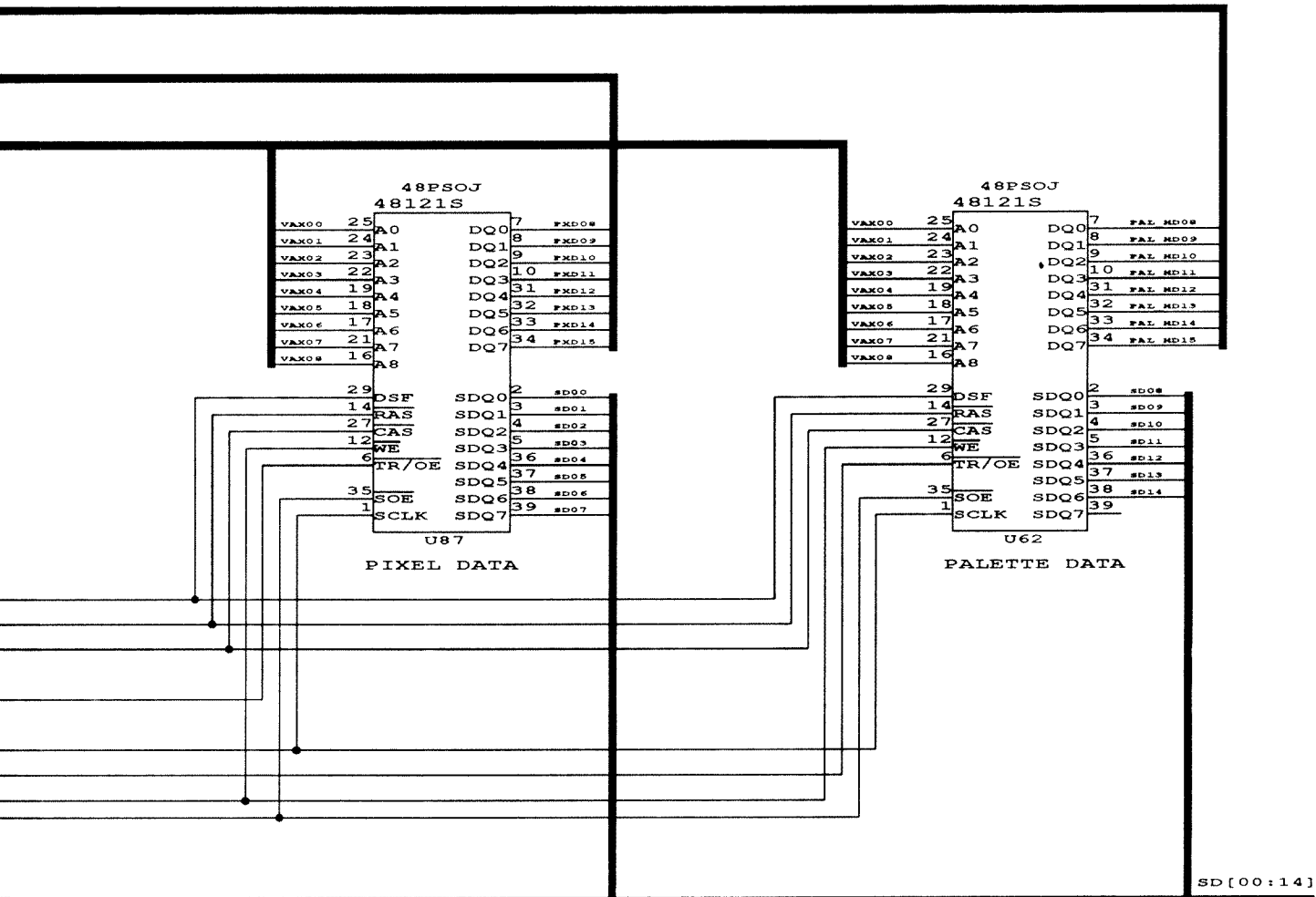


- V SF
- VRAS C0
- VCAS C0
- VWR C0
- FXDTROE
- VSOE C0
- VSCLK
- FALTROE
- VWR C1
- VSOE C1

VRAM BYPASS CAPS: 2 PER IC



VIDEO RAM - BANK 1



SD[00:14]

VIDEO CPU BOARD
PAGE 3-26

ECN		CHANGE		DATE	
INFORMATION CONTAINED HEREIN IS CONFIDENTIAL PROPERTY AND MAY NOT BE USED OR DISCLOSED WITHOUT EXPRESS WRITTEN CONSENT FROM THE COMPANY.					
PROJECT ENG.		1ST PROJ. NO.	DATE	WILLIAMS ELECTRONICS GAMES	
STEVE CORRELL				MIDWAY MANUFACTURING CO.	
DWN. BY	DATE	1ST USAGE	DATE	3401 N. CALIFORNIA AVENUE	
JML	9-12-1994_12:11			CHICAGO ILLINOIS USA	
CHECKED	DATE	CURRENT PROJ.	DATE	TITLE	
				XUNIT	
APPROVED	DATE	SHEET	OF	PART NO.	REV.
		11	26	16-9518	4

A

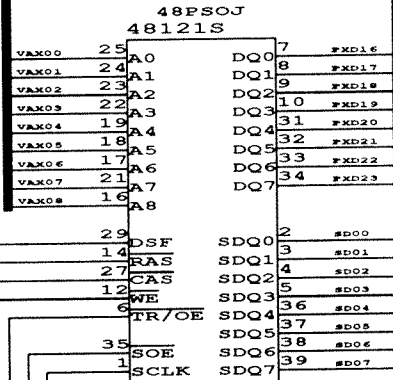
B

VIDEO RAM - BANK 2

FAL_HD[00:15]

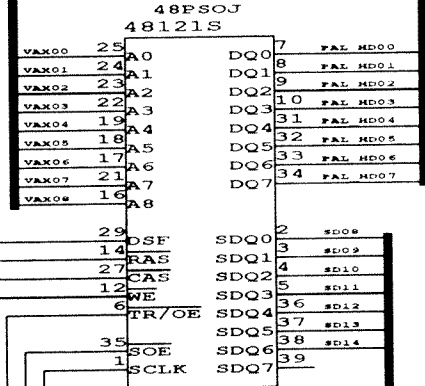
PXD[00:31]

VAX[00:08]



U96

PIXEL DATA



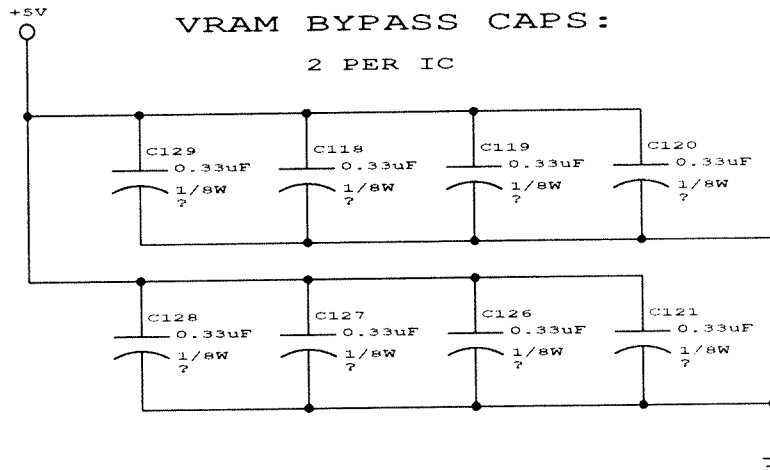
U48

PALETTE DATA

- V_SF
- VRAS C1
- VCAS C1
- VWR C2
- PXDTR0E
- VSOE C2
- VSCLK
- PALTR0E
- VWR C3
- VSOE C3

VRAM BYPASS CAPS:

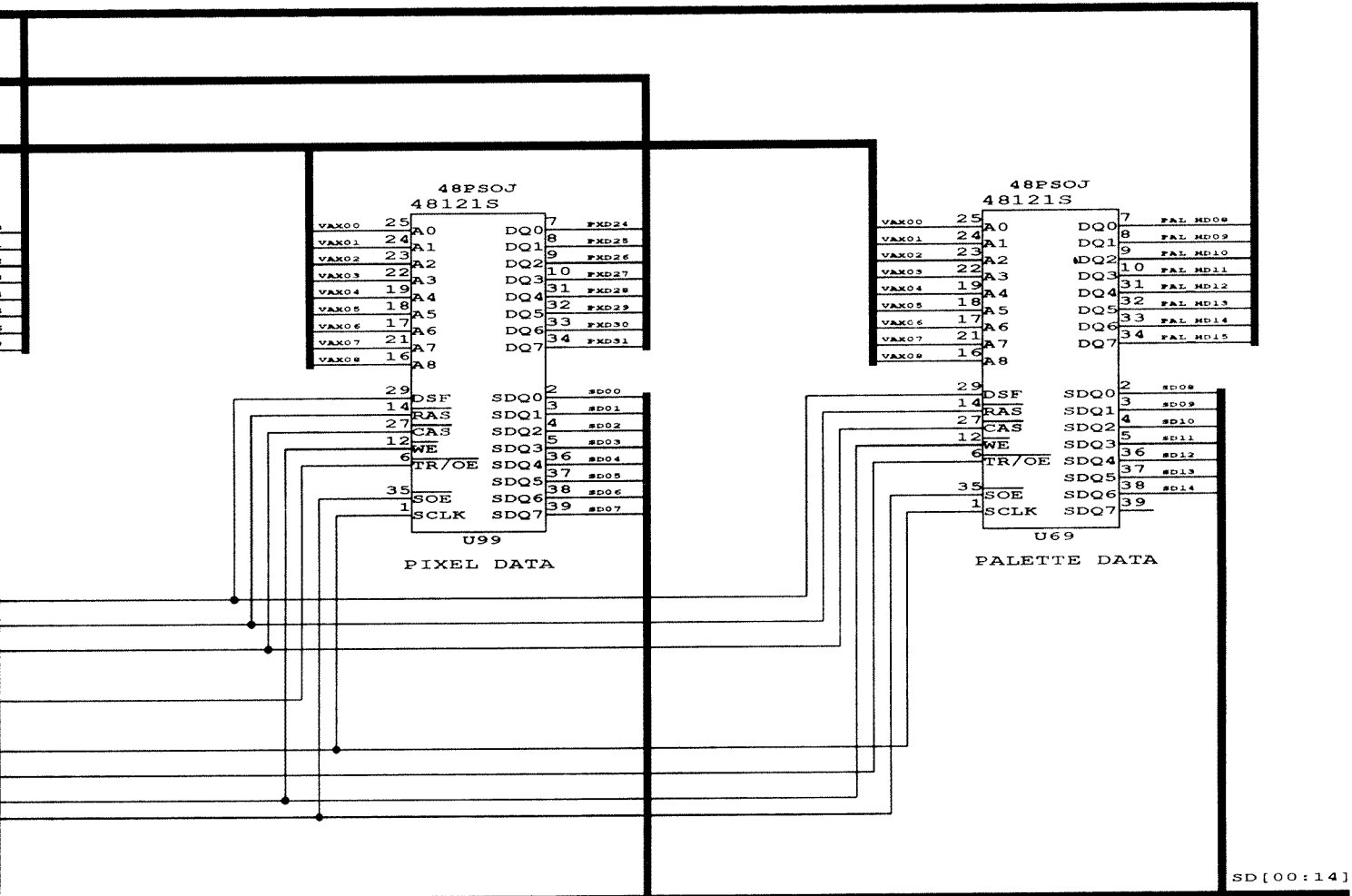
2 PER IC



A

B

VIDEO RAM - BANK 3



SD[00:14]

VIDEO CPU BOARD
PAGE 3-27

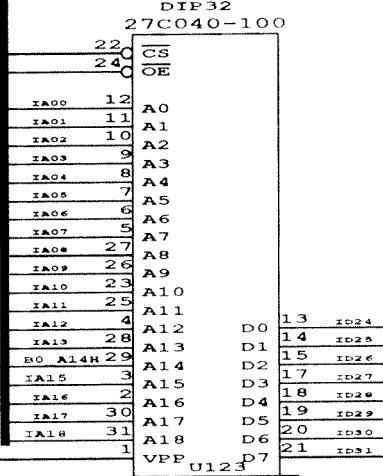
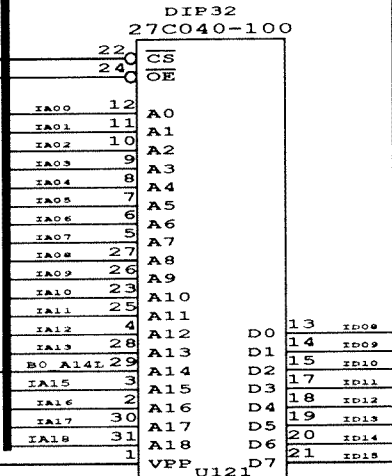
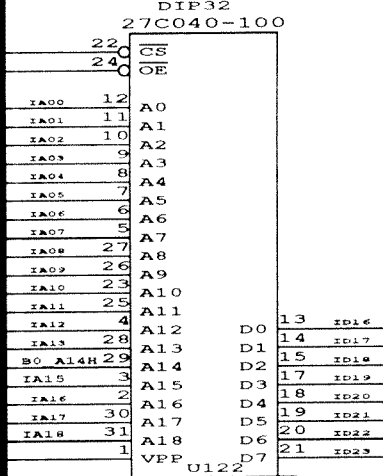
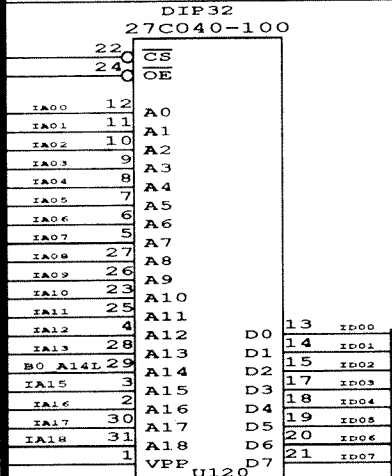
ECN		CHANGE		DATE	
INFORMATION CONTAINED HEREIN IS CONFIDENTIAL PROPERTY AND MAY NOT BE USED OR DISCLOSED WITHOUT EXPRESS WRITTEN CONSENT FROM THE COMPANY.					
PROJECT ENG.		1ST PROJ. NO.	DATE	WILLIAMS ELECTRONICS GAMES MIDWAY MANUFACTURING CO. 3401 N. CALIFORNIA AVENUE CHICAGO ILLINOIS USA	
STEVE CORRELL				TITLE XUNIT	
DWN. BY	DATE	1ST USEAGE	DATE	VIDEO RAM BANK 2/BANK 3	
JML	5-12-1994_12:11			PART NO. 16-9518	
CHECKED	DATE	CURRENT PROJ.	DATE	REV.	4
APPROVED	DATE	SHEET	OF		
		12	26		

B1 A14H
B1 A14L

IA[00:18]

B0 A14H

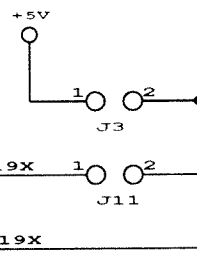
B0 A14L

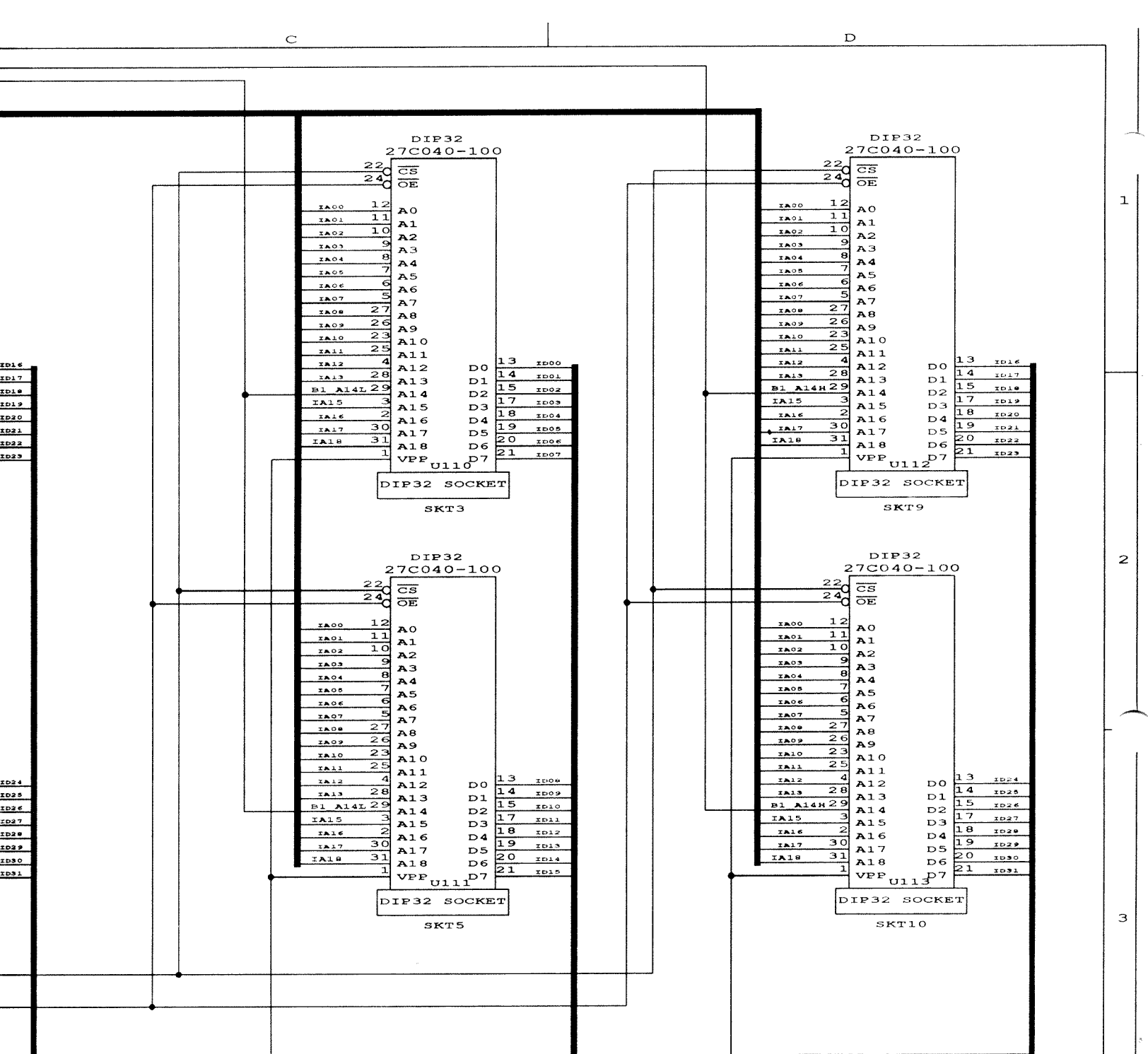


IRMCS0
IRMCS1
IROMOE0

ID[00:31]

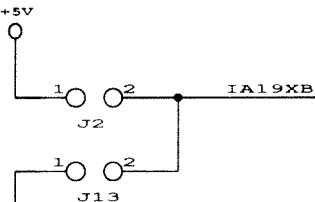
BANK 0





BANK 1

VIDEO CPU BOARD
PAGE 3-28



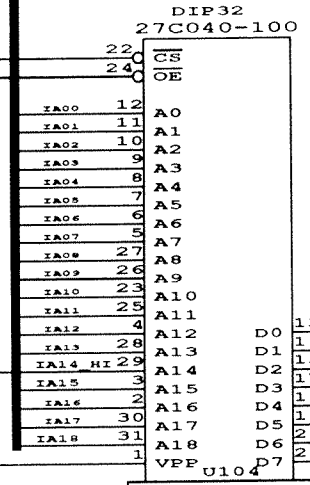
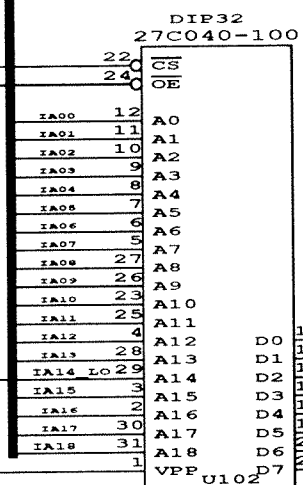
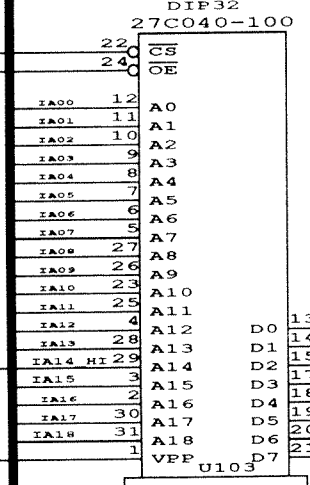
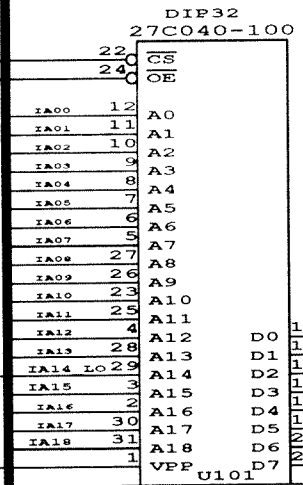
ECN	CHANGE	DATE

INFORMATION CONTAINED HEREIN IS CONFIDENTIAL PROPERTY AND MAY NOT BE USED OR DISCLOSED WITHOUT EXPRESS WRITTEN CONSENT FROM THE COMPANY.			
PROJECT ENG.		1ST PROJ. NO.	DATE
STEVE CORRELL			
DWN. BY	DATE	1ST USAGE	DATE
JML	5-12-1994_12:12		
CHECKED	DATE	CURRENT PROJ.	DATE
APPROVED	DATE	SHEET	OF
		13	26
WILLIAMS ELECTRONICS GAMES MIDWAY MANUFACTURING CO. 3401 N. CALIFORNIA AVENUE CHICAGO ILLINOIS USA		TITLE	
		XUNIT	
IMAGE ROM BANK 0/BANK 1			
PART NO.		REV.	
16-9518		4	

A

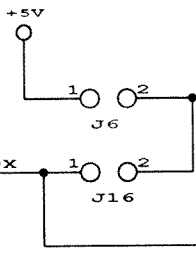
B

IA14 LO
IA[00:18]



IRMCS2
IRMCS3
IROMOE0
IA14 HI
ID[00:31]

BANK 2



A

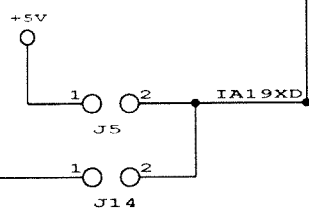
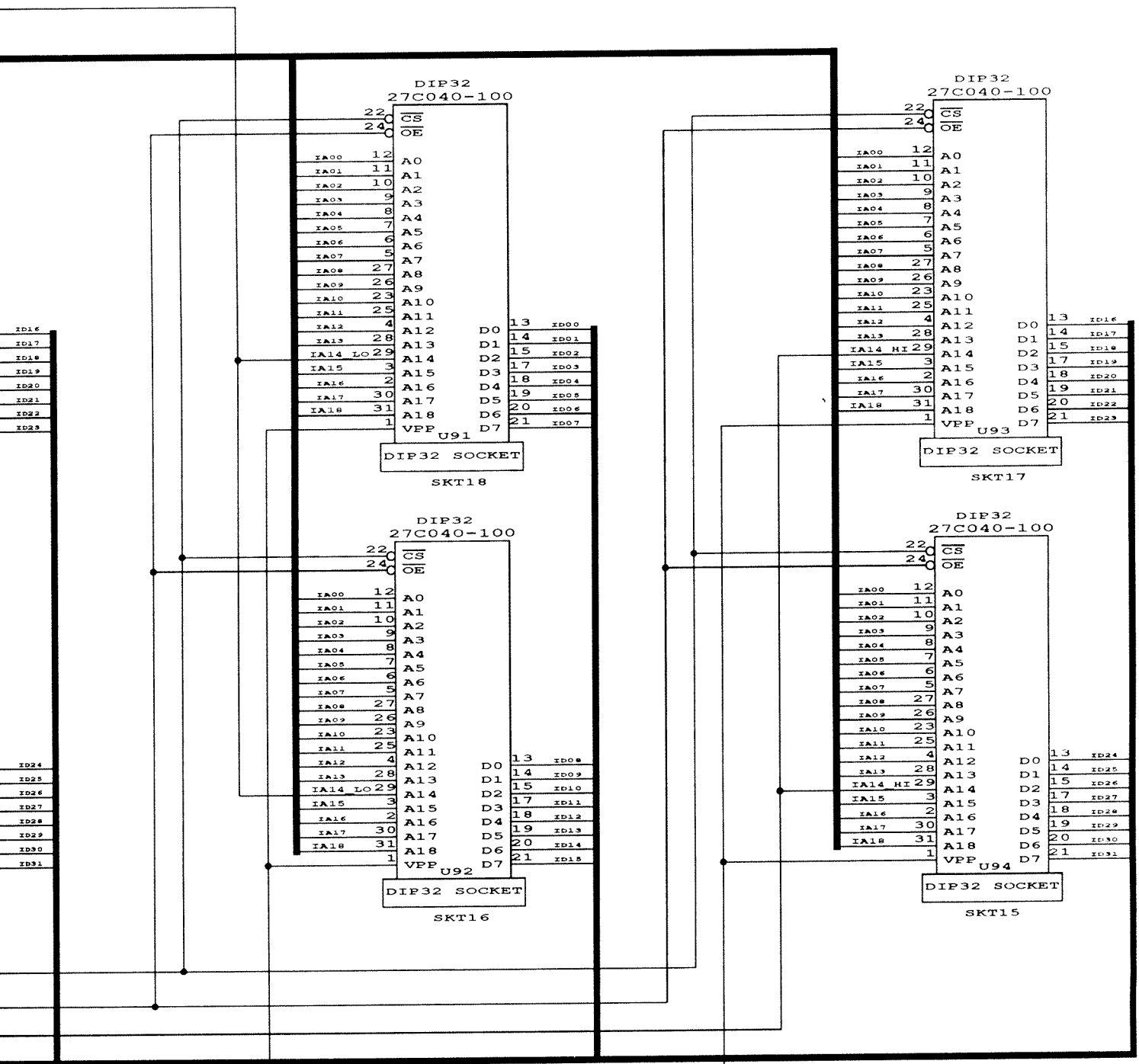
B

1

2

3

4



BANK 3

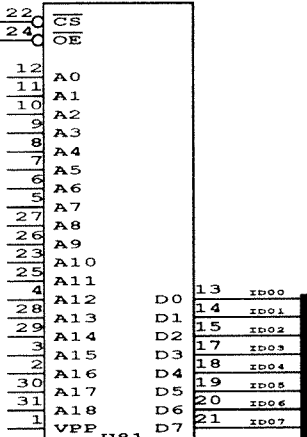
VIDEO CPU BOARD PAGE 3-29

ECN		CHANGE		DATE	
INFORMATION CONTAINED HEREIN IS CONFIDENTIAL PROPERTY AND MAY NOT BE USED OR DISCLOSED WITHOUT EXPRESS WRITTEN CONSENT FROM THE COMPANY.					
PROJECT ENG.		1ST PROJ. NO.	DATE	WILLIAMS ELECTRONICS GAMES	
STEVE CORRELL				MIDWAY MANUFACTURING CO.	
DWN. BY		1ST USAGE	DATE	3401 N. CALIFORNIA AVENUE	
JML		5-12-1994_12:12		CHICAGO ILLINOIS USA	
CHECKED		CURRENT PROJ.	DATE	TITLE	
				XUNIT	
APPROVED		SHEET	OF	IMAGE ROM BANK 2/BANK 3	
		14	26	PART NO.	REV.
				16-9518	4

A

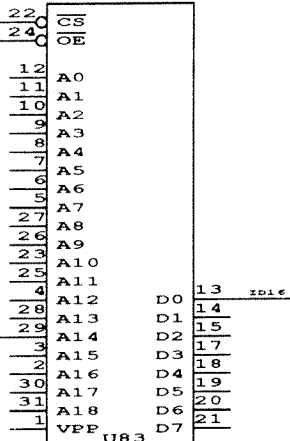
B

DIP32
27C040-100



U81
DIP32 SOCKET
SKT21

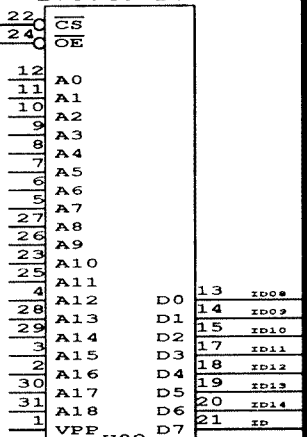
DIP32
27C040-100



U83
DIP32 SOCKET
SKT22

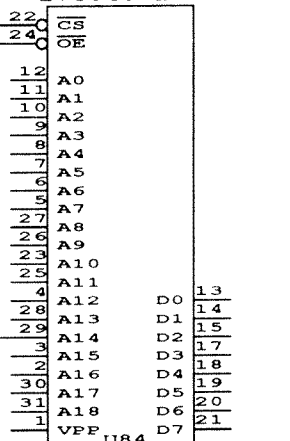
IA14 HI

DIP32
27C040-100



U82
DIP32 SOCKET
SKT19

DIP32
27C040-100



U84
DIP32 SOCKET
SKT20

IA14 HI

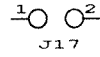
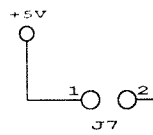
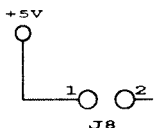
IRMCS4

IRMCS5

IROMOE1

IA14 HI

BANK 4



A

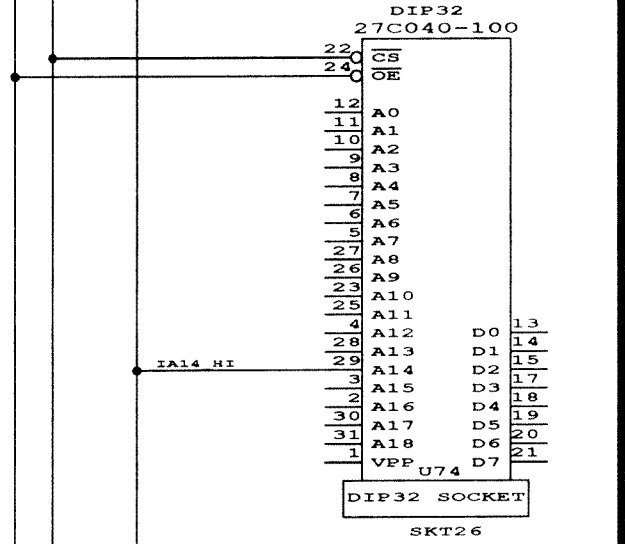
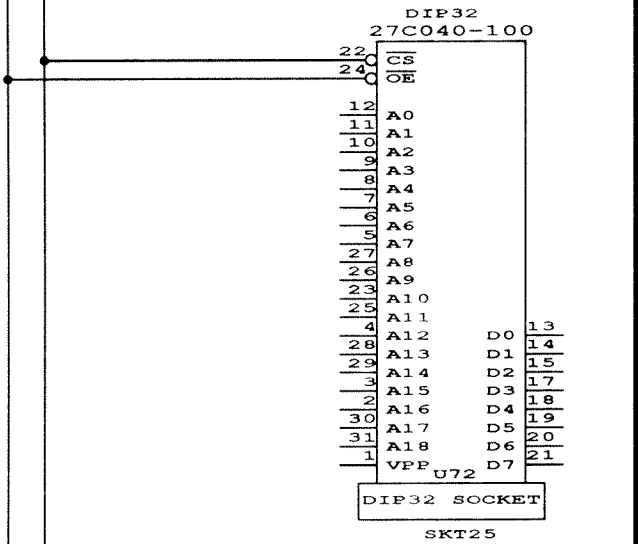
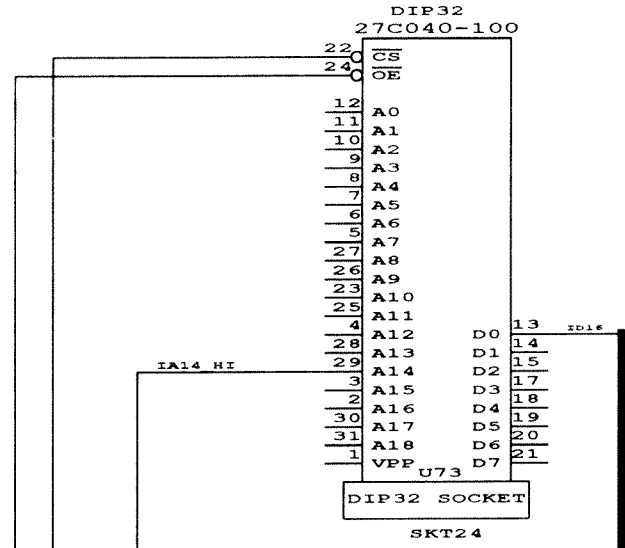
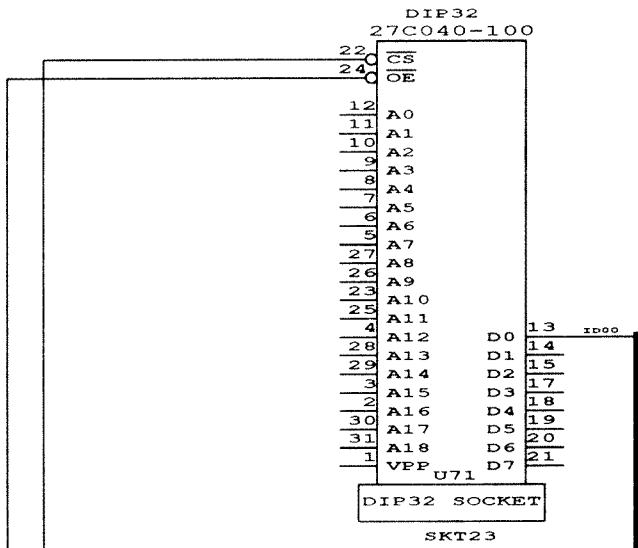
B

1

2

3

4



BANK 5

VIDEO CPU BOARD
PAGE 3-30

ECN	CHANGE	DATE
-----	--------	------

INFORMATION CONTAINED HEREIN IS CONFIDENTIAL PROPERTY AND MAY NOT BE USED OR DISCLOSED WITHOUT EXPRESS WRITTEN CONSENT FROM THE COMPANY.

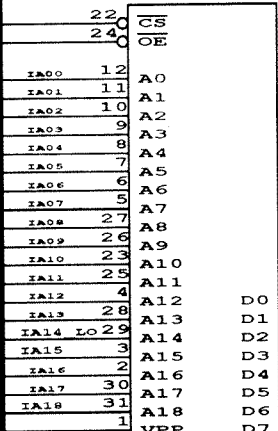
PROJECT ENG. STEVE CORRELL	1ST PROJ. NO. DATE	WILLIAMS ELECTRONICS GAMES MIDWAY MANUFACTURING CO. 3401 N. CALIFORNIA AVENUE CHICAGO ILLINOIS USA
DWN. BY JML	DATE 5-12-1994_12:12	TITLE
CHECKED	DATE	IMAGE ROM BANK 4/BANK 5
APPROVED	DATE	SHEET 15 OF 26
		PART NO. REV.

A

B

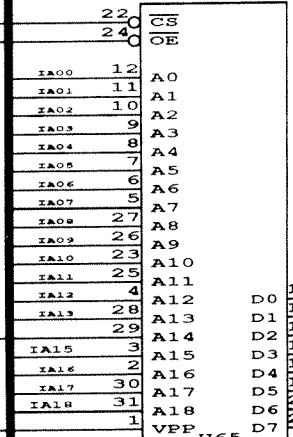
IA14 LO
IA[00:18]

DIP32
27C040-100



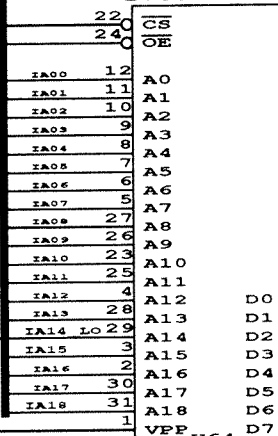
DIP32 SOCKET
SKT27

DIP32
27C040-100



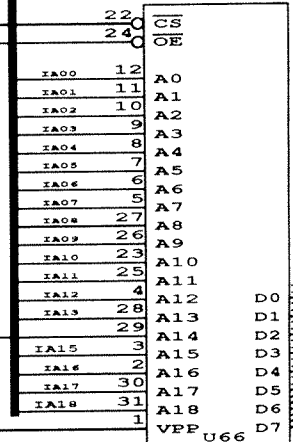
DIP32 SOCKET
SKT28

DIP32
27C040-100



DIP32 SOCKET
SKT29

DIP32
27C040-100



DIP32 SOCKET
SKT30

IRMCS6

IRMCS7

IROMOE1

IA14 HI
ID[00:31]

BANK 6

+5V

1

2

IA19XG

J12

IA19X

1

2

J19

+5V

1

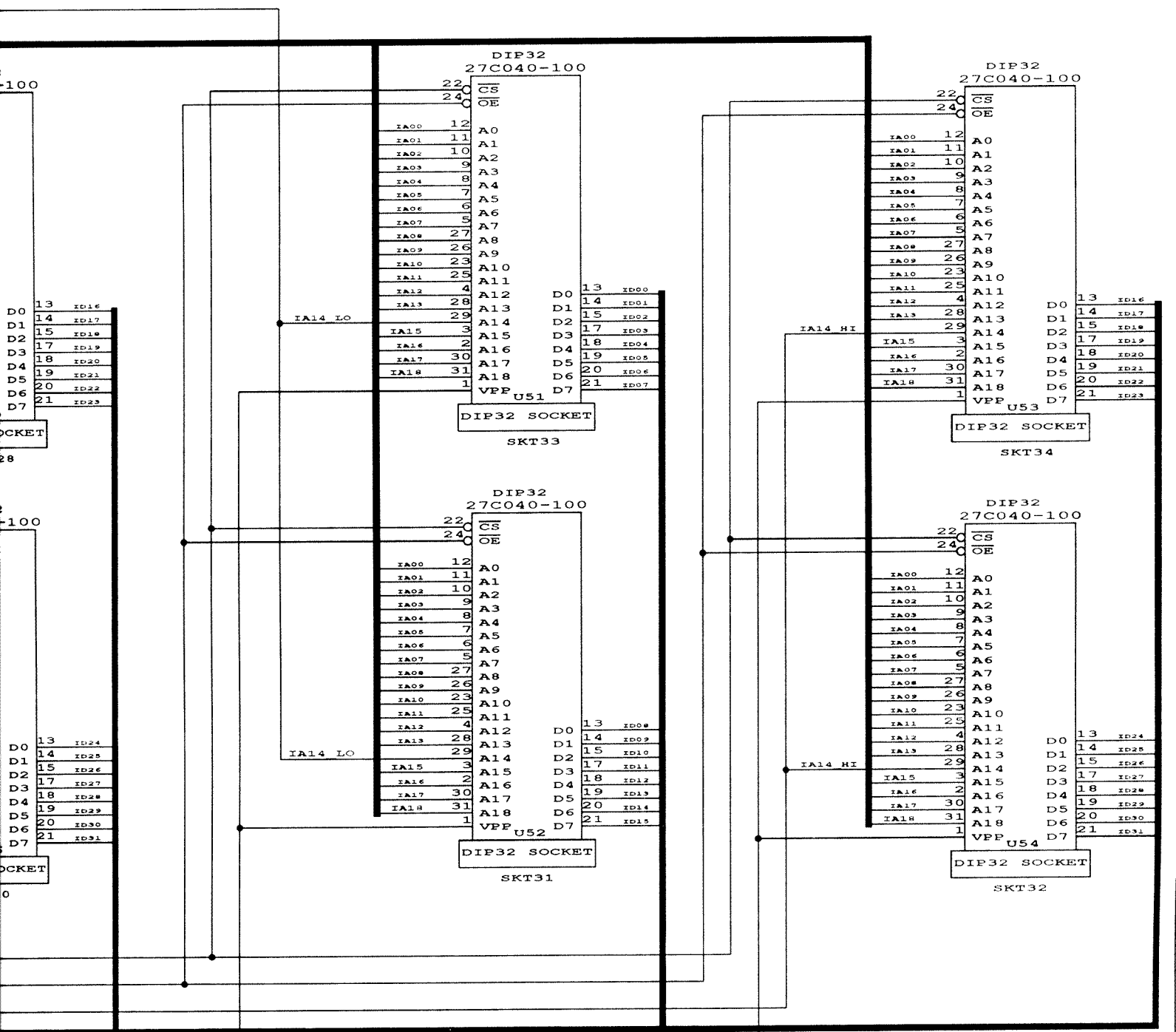
2

3

4

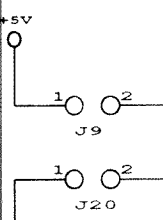
A

B



BANK 7

VIDEO CPU BOARD
PAGE 3-31



ECN	CHANGE	DATE
-----	--------	------

INFORMATION CONTAINED HEREIN IS CONFIDENTIAL PROPERTY AND MAY NOT BE USED OR DISCLOSED WITHOUT EXPRESS WRITTEN CONSENT FROM THE COMPANY.			
PROJECT ENG.	1ST PROJ. NO.	DATE	WILLIAMS ELECTRONICS GAMES MIDWAY MANUFACTURING CO. 3401 N. CALIFORNIA AVENUE CHICAGO ILLINOIS USA
STEVE CORRELL			TITLE XUNIT
DWN. BY	DATE	1ST USAGE	DATE
JML	5-12-1994_12:16		
CHECKED	DATE	CURRENT PROJ.	DATE
APPROVED	DATE	SHEET	OF
		16	26
		PART NO.	REV.
		16-9518	4

IMAGE ROM BANK 6/BANK 7

1

2

3

4

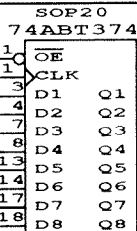
BLANKX

DOT CLK

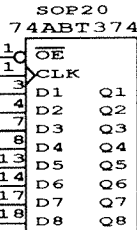
SADDRN

SD[00:14]

SD00
SD01
SD02
SD03
SD04
SD05
SD06
SD07

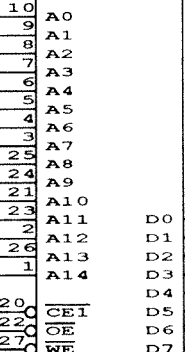


PA00
PA01
PA02
PA03
PA04
PA05
PA06
PA07



PA08
PA09
PA10
PA11
PA12
PA13
PA14

DIP28
32KX8SRAM

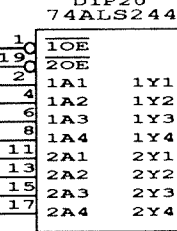


D0
D1
D2
D3
D4
D5
D6
D7

CRAMCYC

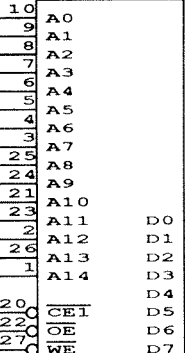
LA[00:14]

LA00
LA01
LA02
LA03
LA04
LA05
LA06
LA07



1Y1
1Y2
1Y3
1Y4
2Y1
2Y2
2Y3
2Y4

DIP28
32KX8SRAM

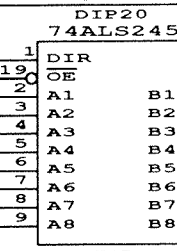


D0
D1
D2
D3
D4
D5
D6
D7

RDCYCLE

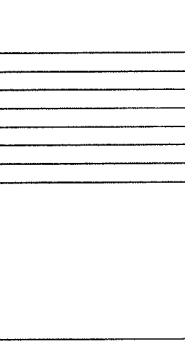
CRAM WR

LD00
LD01
LD02
LD03
LD04
LD05
LD06
LD07



CRD00
CRD01
CRD02
CRD03
CRD04
CRD05
CRD06
CRD07

DIP20
74ALS245



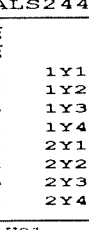
CRD08
CRD09
CRD10
CRD11
CRD12
CRD13
CRD14
CRD15

U78

U68

U27

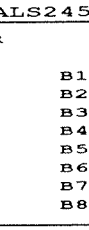
DIP20
74ALS244



1Y1
1Y2
1Y3
1Y4
2Y1
2Y2
2Y3
2Y4

U21

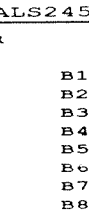
DIP20
74ALS245



CRD08
CRD09
CRD10
CRD11
CRD12
CRD13
CRD14
CRD15

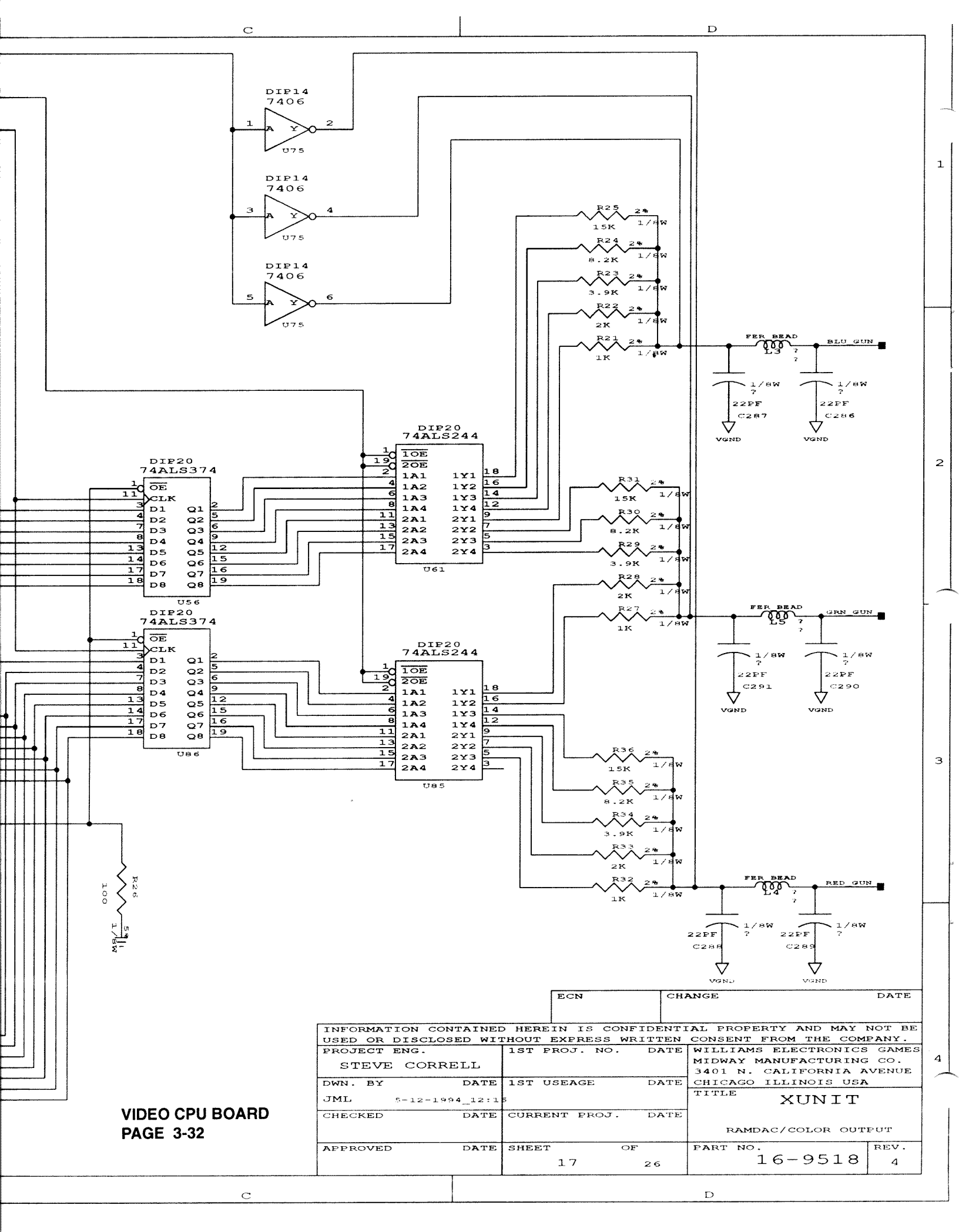
U47

DIP20
74ALS245



CRD08
CRD09
CRD10
CRD11
CRD12
CRD13
CRD14
CRD15

U98



VIDEO CPU BOARD
PAGE 3-32

ECN CHANGE DATE

INFORMATION CONTAINED HEREIN IS CONFIDENTIAL PROPERTY AND MAY NOT BE USED OR DISCLOSED WITHOUT EXPRESS WRITTEN CONSENT FROM THE COMPANY.

PROJECT ENG.	1ST PROJ. NO.	DATE	WILLIAMS ELECTRONICS GAMES MIDWAY MANUFACTURING CO. 3401 N. CALIFORNIA AVENUE CHICAGO ILLINOIS USA	
STEVE CORRELL			TITLE XUNIT	
DWN. BY	DATE	1ST USAGE	DATE	RAMDAC/COLOR OUTPUT
JML	5-12-1994	12:15		
CHECKED	DATE	CURRENT PROJ.	DATE	
APPROVED	DATE	SHEET	OF	PART NO.
		17	26	16-9518
				REV. 4

A

B

RDPLY12

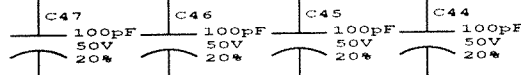
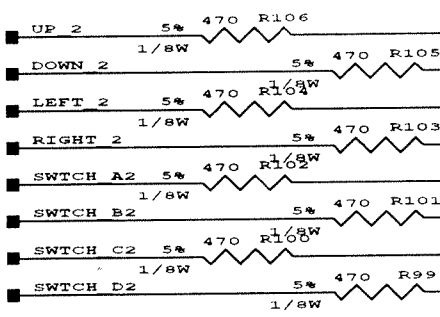
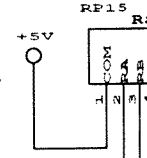
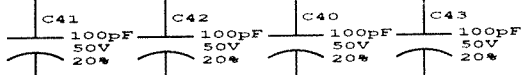
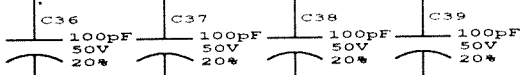
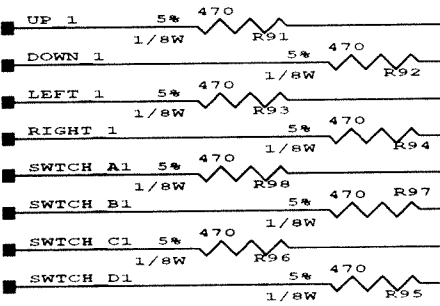
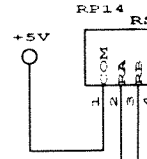
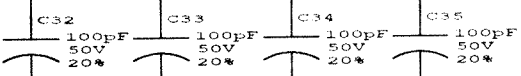
1

2

PLAYER 1 & 2
INPUTS

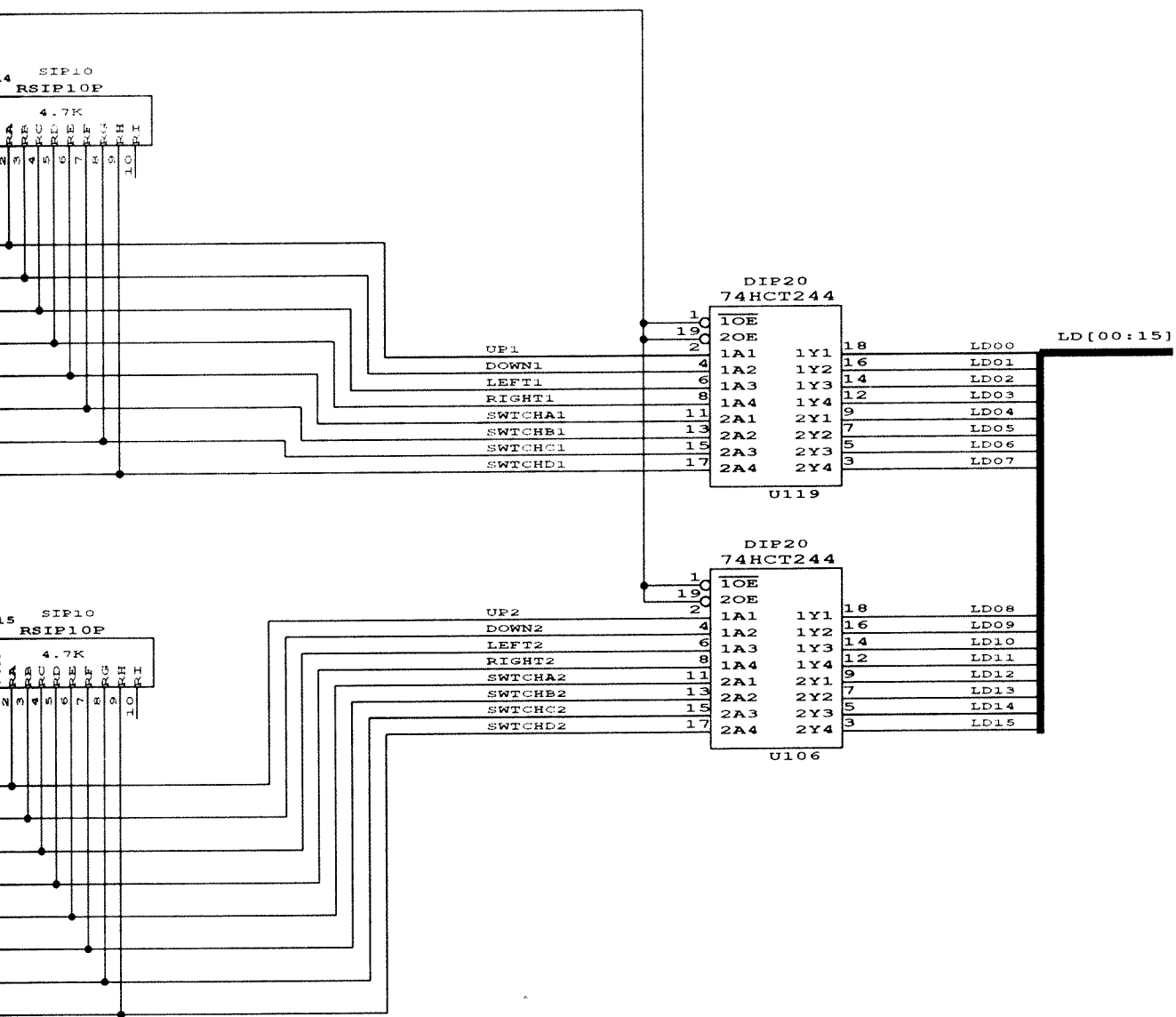
3

4



A

B



**VIDEO CPU BOARD
PAGE 3-33**

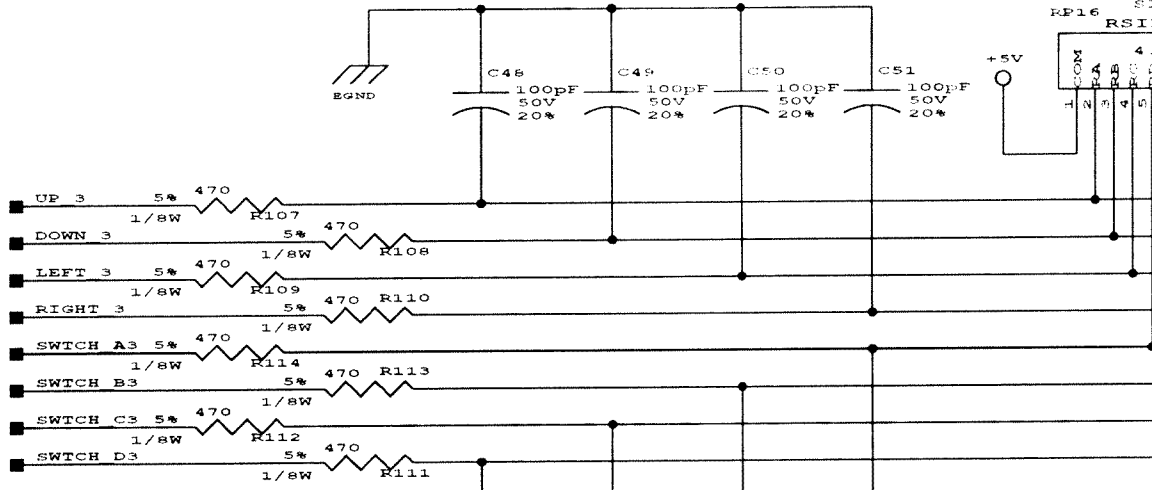
ECN		CHANGE		DATE	
INFORMATION CONTAINED HEREIN IS CONFIDENTIAL PROPERTY AND MAY NOT BE USED OR DISCLOSED WITHOUT EXPRESS WRITTEN CONSENT FROM THE COMPANY.					
PROJECT ENG.		1ST PROJ. NO.		DATE	
STEVE CORRELL					
DWN. BY		1ST USAGE		DATE	
RSC 5-12-1994_12:16					
CHECKED		CURRENT PROJ.		DATE	
APPROVED		SHEET		OF	
		18		26	
TITLE				PART NO.	
XUNIT				16-9518	
PLAYER 1 AND 2 INPUTS				REV.	
				4	

A

B

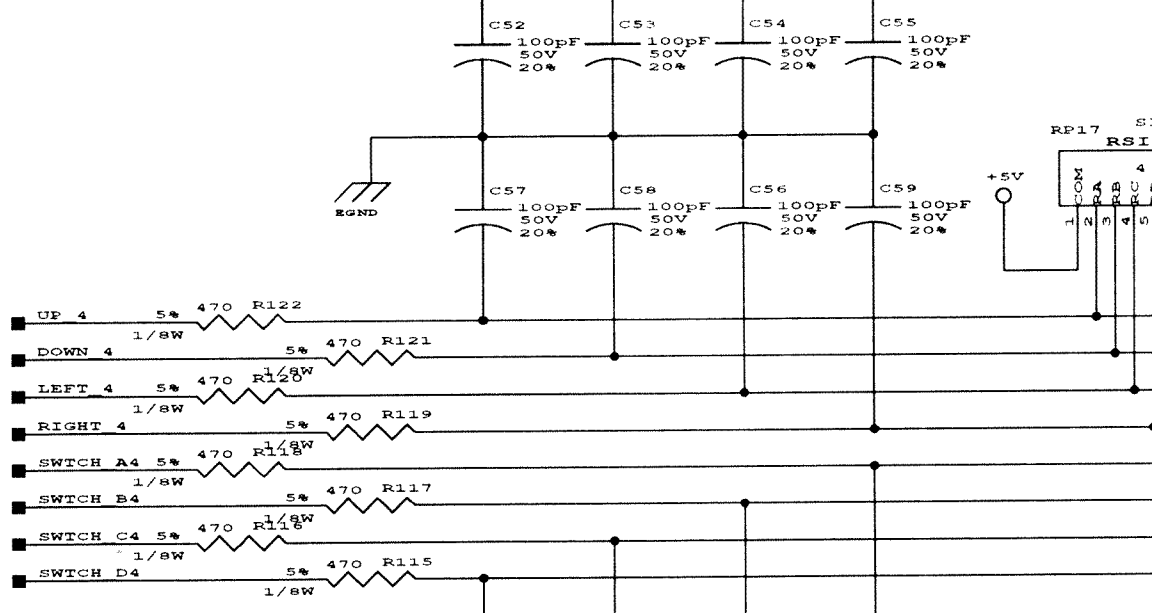
RDPLY34

1



2

PLAYER 3 & 4
INPUTS

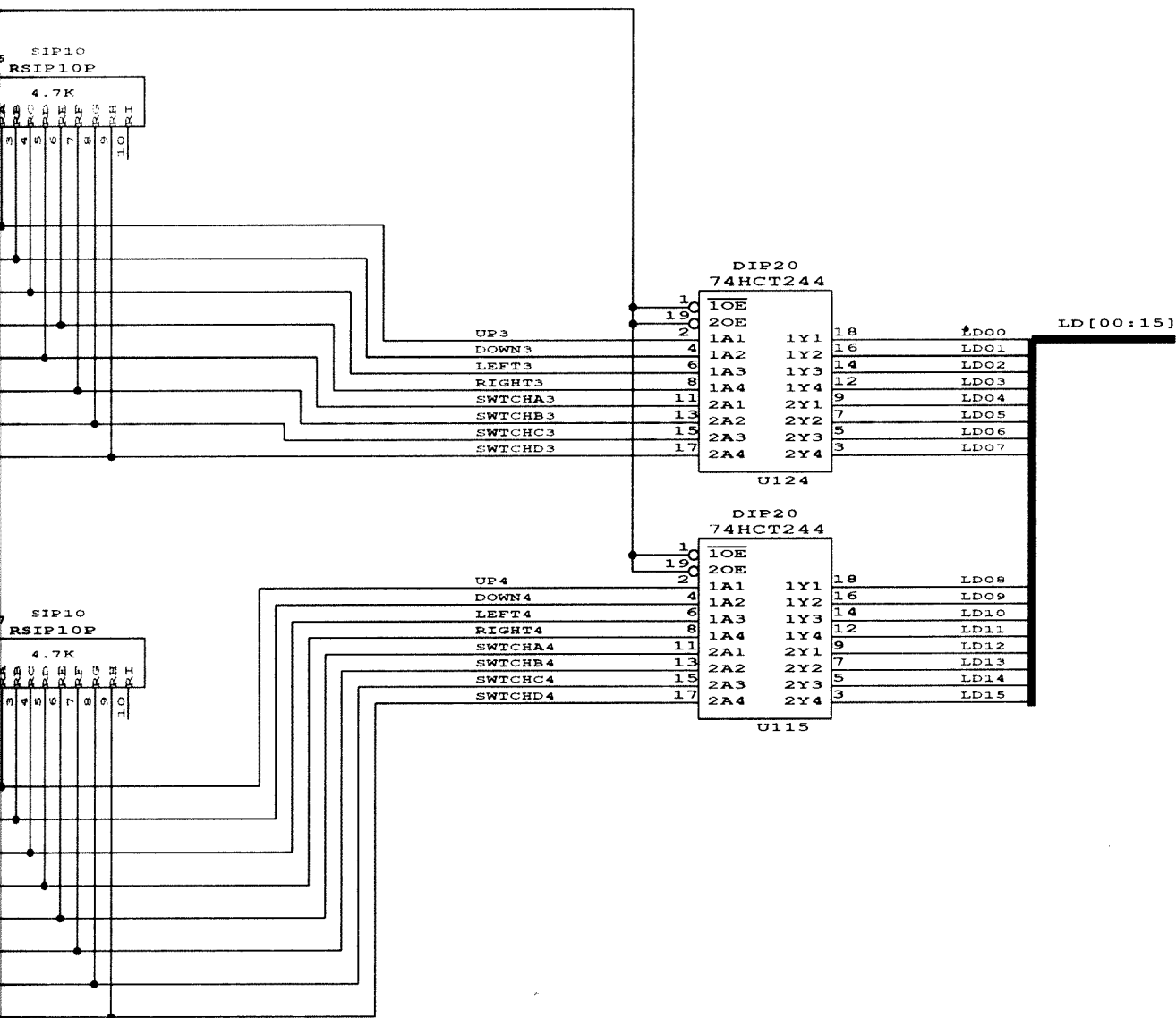


3

4

A

B



**VIDEO CPU BOARD
PAGE 3-34**

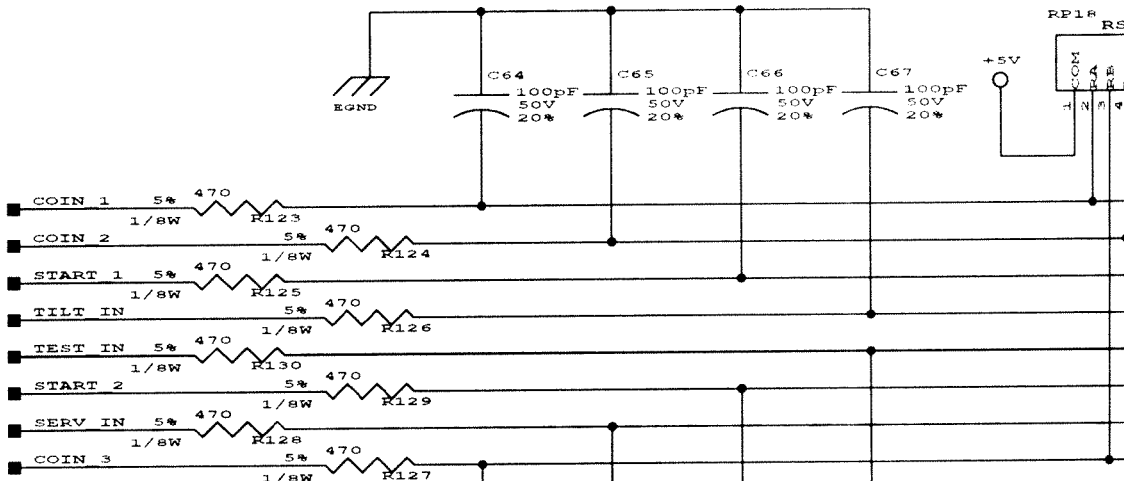
ECN	CHANGE	DATE

INFORMATION CONTAINED HEREIN IS CONFIDENTIAL PROPERTY AND MAY NOT BE USED OR DISCLOSED WITHOUT EXPRESS WRITTEN CONSENT FROM THE COMPANY.					
PROJECT ENG.	1ST PROJ. NO.	DATE	WILLIAMS ELECTRONICS GAMES MIDWAY MANUFACTURING CO. 3401 N. CALIFORNIA AVENUE CHICAGO ILLINOIS USA		
STEVE CORRELL			TITLE XUNIT		
DWN. BY	DATE	1ST USAGE	DATE	PLAYER 3 AND 4 INPUTS	
RSC 5-12-1994_12:16					
CHECKED	DATE	CURRENT PROJ.	DATE		
APPROVED	DATE	SHEET	OF	PART NO.	REV.
		19	26	16-9518	4

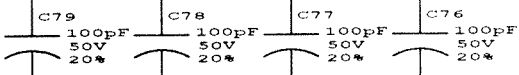
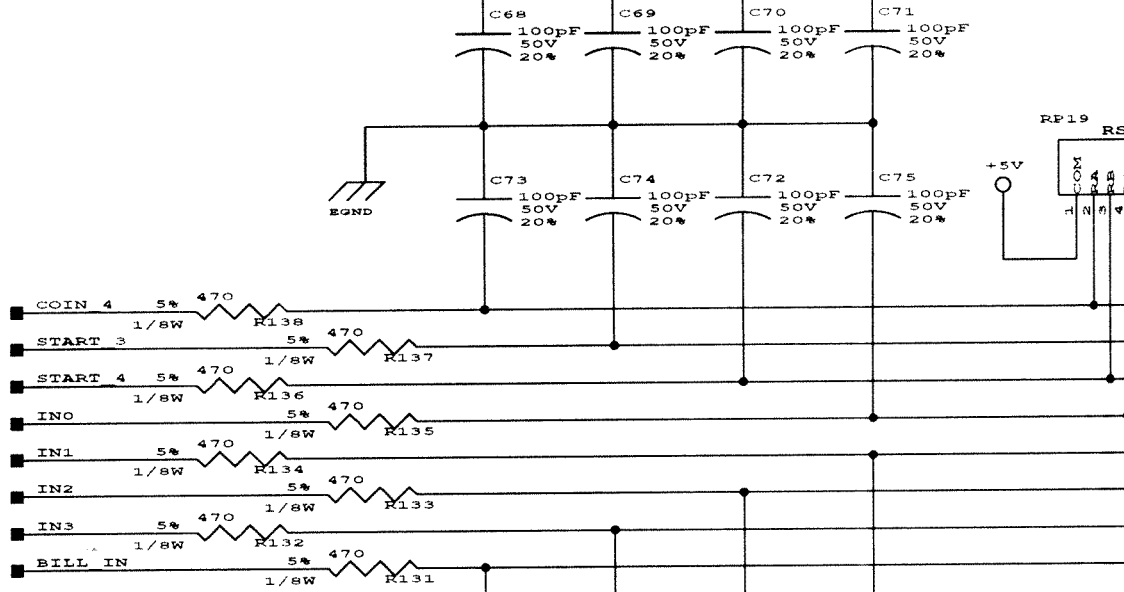
A

B

RDEXTRA



EXTRA INPUTS & COIN INPUTS



A

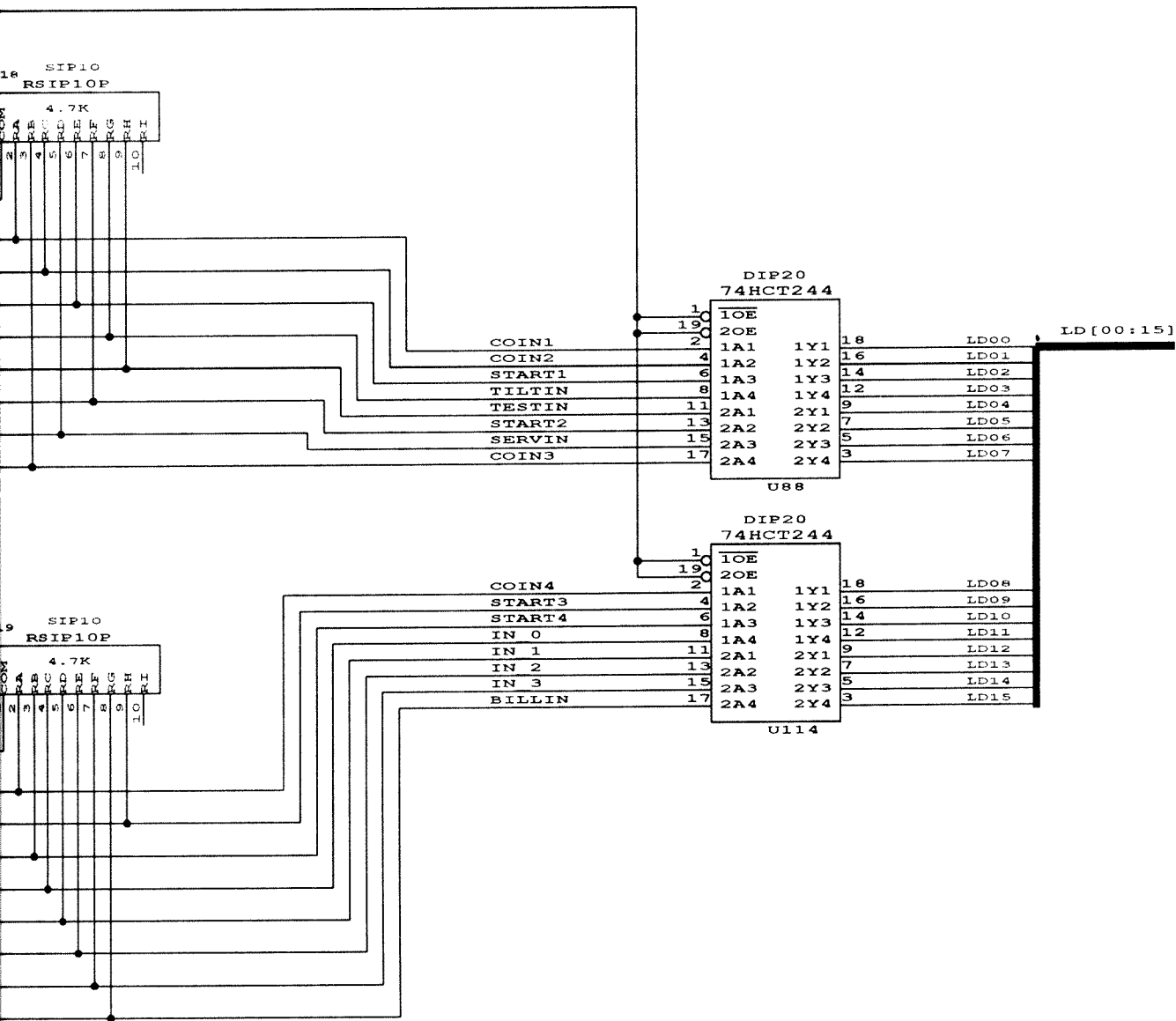
B

1

2

3

4



**VIDEO CPU BOARD
PAGE 3-35**

		ECN	CHANGE	DATE
INFORMATION CONTAINED HEREIN IS CONFIDENTIAL PROPERTY AND MAY NOT BE USED OR DISCLOSED WITHOUT EXPRESS WRITTEN CONSENT FROM THE COMPANY.				
PROJECT ENG.	1ST PROJ. NO.	DATE	WILLIAMS ELECTRONICS GAMES MIDWAY MANUFACTURING CO. 3401 N. CALIFORNIA AVENUE CHICAGO ILLINOIS USA	
STEVE CORRELL			TITLE XUNIT	
DWN. BY	DATE	1ST USEAGE	DATE	EXTRA INPUTS, COIN/START
RSC	5-12-1994_12:17			
CHECKED	DATE	CURRENT PROJ.	DATE	
APPROVED	DATE	SHEET	OF	PART NO.
		20	26	16-9518
				REV. 4

A

B

1

2

3

4

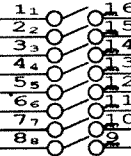
RDDIPSW

RF20 SIP10
RSIP10P

+5V



DIP16
8POS DIP_SW



U105

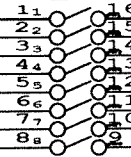
DIP-SWITCH
INPUTS

RF21 SIP10
RSIP10P

+5V



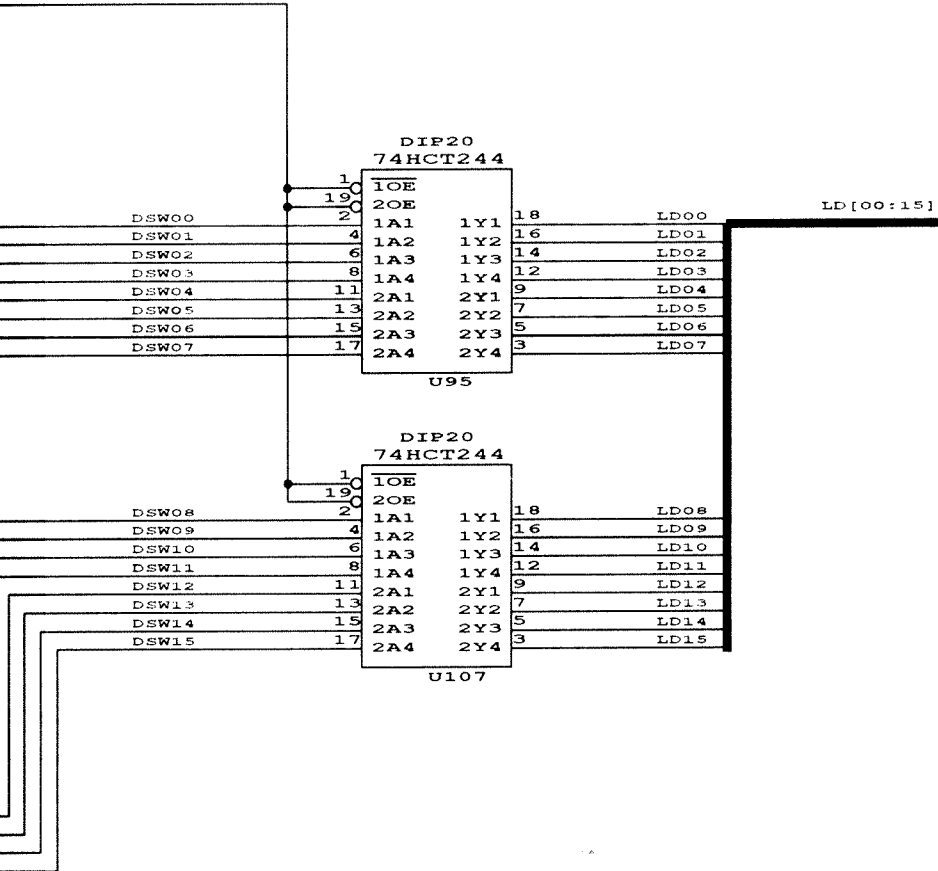
DIP16
8POS DIP_SW



U108

A

B



1

2

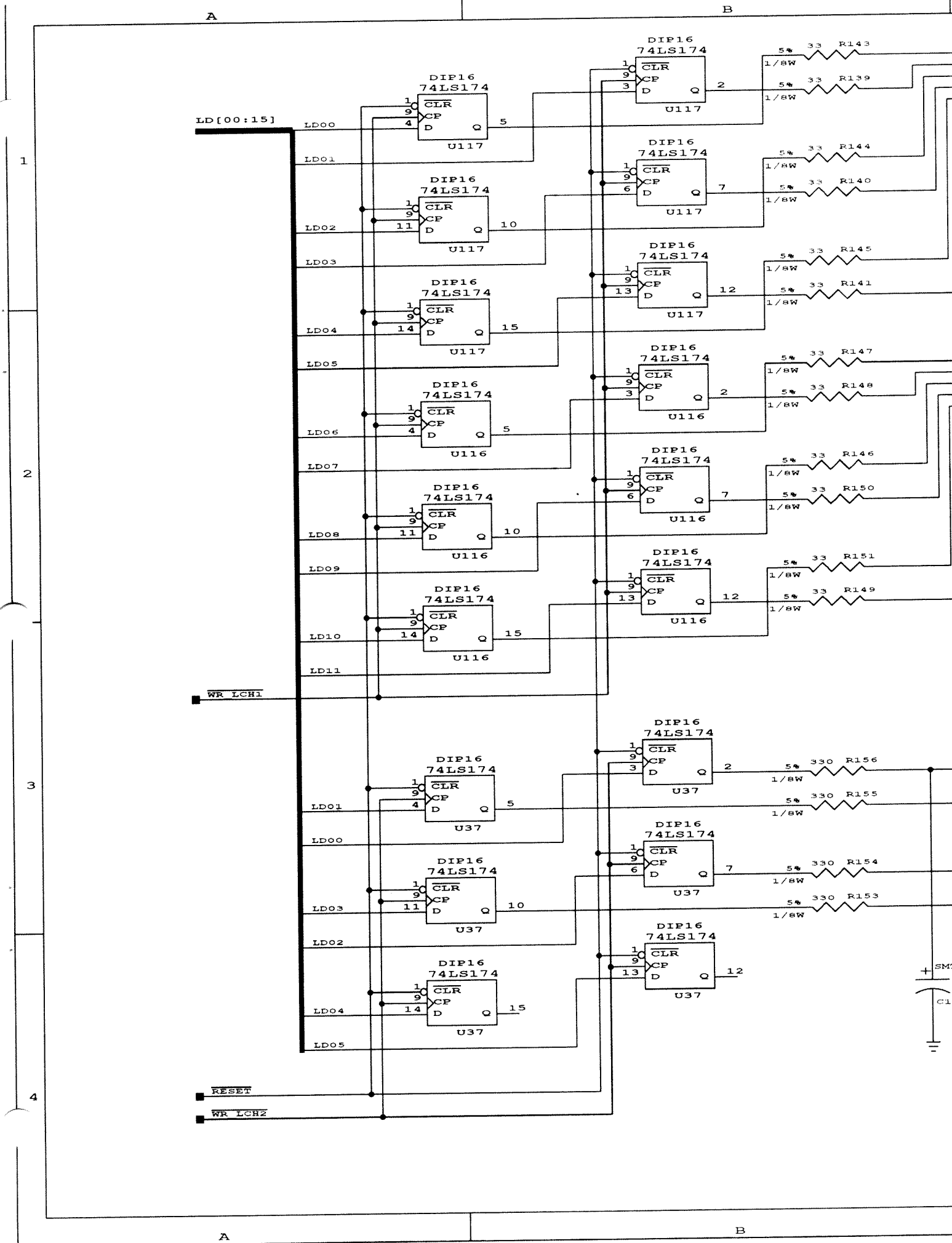
3

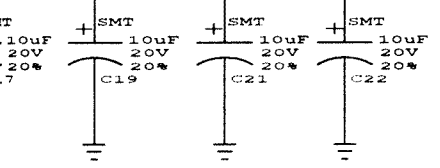
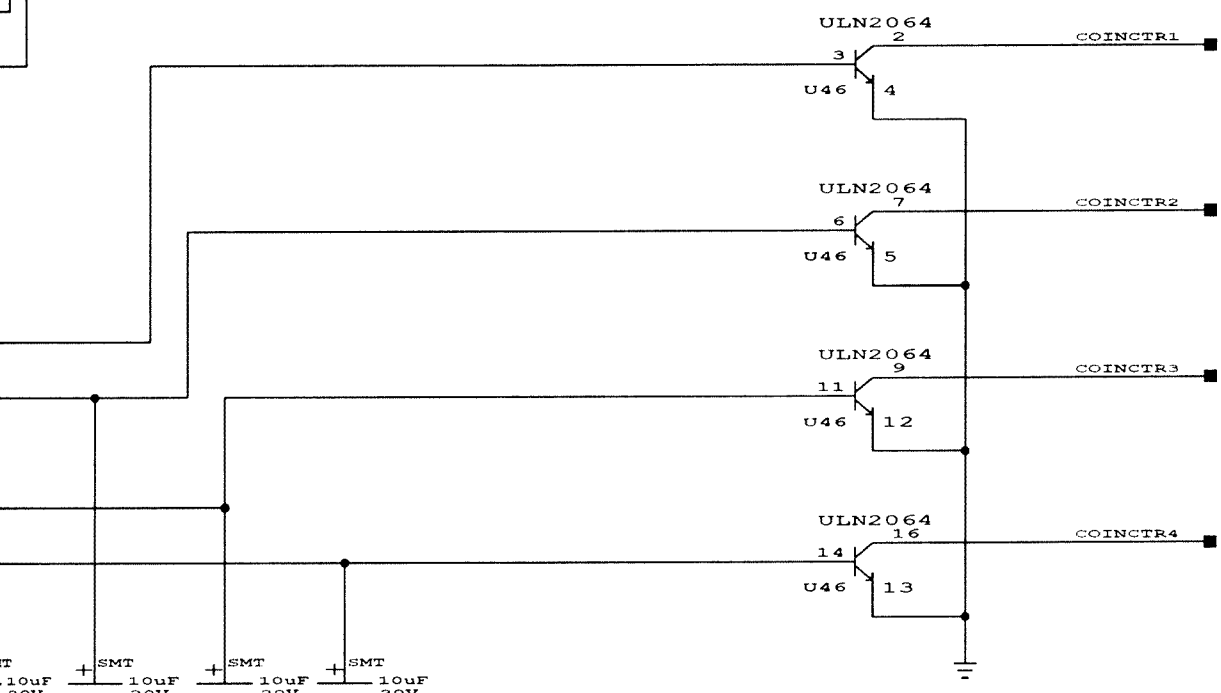
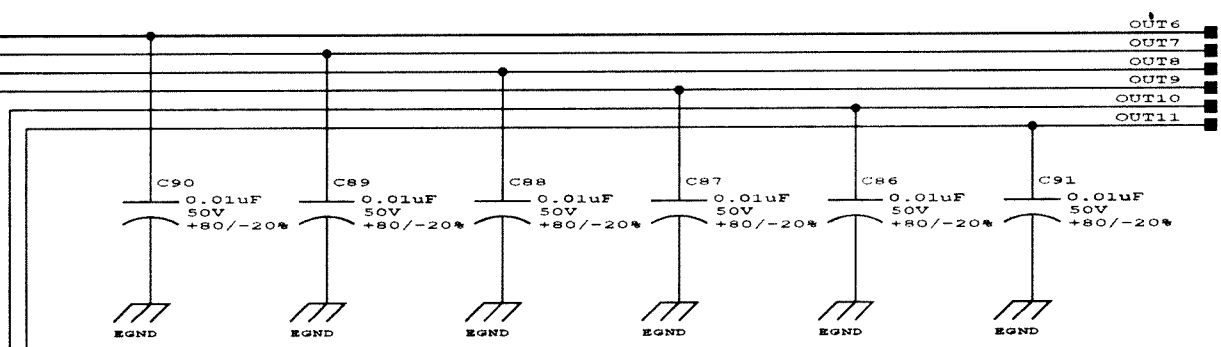
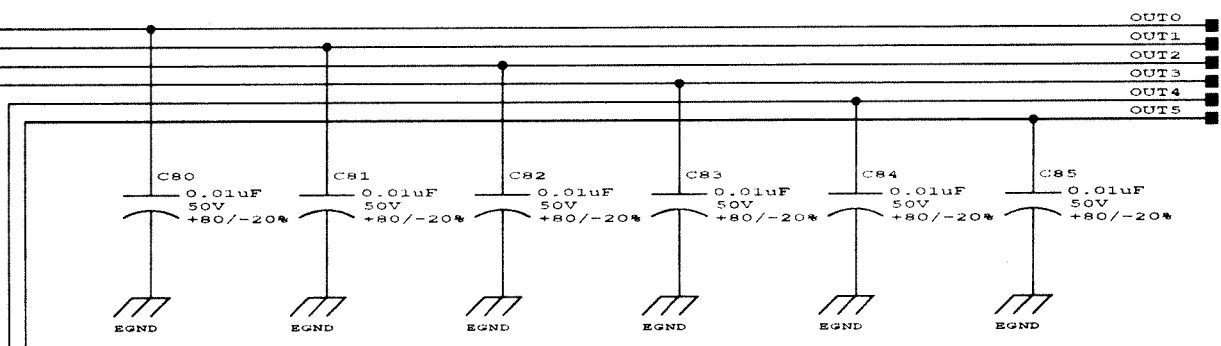
4

**VIDEO CPU BOARD
PAGE 3-36**

ECN	CHANGE	DATE
-----	--------	------

INFORMATION CONTAINED HEREIN IS CONFIDENTIAL PROPERTY AND MAY NOT BE USED OR DISCLOSED WITHOUT EXPRESS WRITTEN CONSENT FROM THE COMPANY.					
PROJECT ENG.	1ST PROJ. NO.	DATE	WILLIAMS ELECTRONICS GAMES MIDWAY MANUFACTURING CO. 3401 N. CALIFORNIA AVENUE CHICAGO ILLINOIS USA		
STEVE CORRELL			TITLE XUNIT		
DWN. BY	DATE	1ST USAGE	DATE	DIP-SWITCH INPUTS	
RSC	5-12-1994_12:17				
CHECKED	DATE	CURRENT PROJ.	DATE		
APPROVED	DATE	SHEET	OF	PART NO.	REV.
		21	26	16-9518	4





**VIDEO CPU BOARD
PAGE 3-37**

ECN	CHANGE	DATE

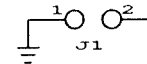
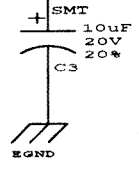
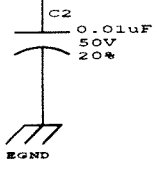
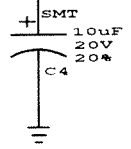
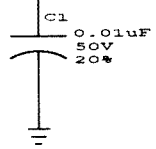
INFORMATION CONTAINED HEREIN IS CONFIDENTIAL PROPERTY AND MAY NOT BE USED OR DISCLOSED WITHOUT EXPRESS WRITTEN CONSENT FROM THE COMPANY.					
PROJECT ENG.	1ST PROJ. NO.	DATE	WILLIAMS ELECTRONICS GAMES MIDWAY MANUFACTURING CO. 3401 N. CALIFORNIA AVENUE CHICAGO ILLINOIS USA		
STEVE CORRELL			TITLE XUNIT		
DWN. BY	DATE	1ST USAGE	DATE	OUTPUTS	
RSC	5-12-1994_12:18				
CHECKED	DATE	CURRENT PROJ.	DATE		
APPROVED	DATE	SHEET	OF	PART NO.	REV.
		22	26	16-9518	4

A

B

+5V

COIL 4.7uH
L2 5.0A



2AGF
1.0A F
USE TWO 5mm THRU

ADC INT

ADC CS

RDCYCLE

SLWSEN

LD[00:15]

READ

UARTINT

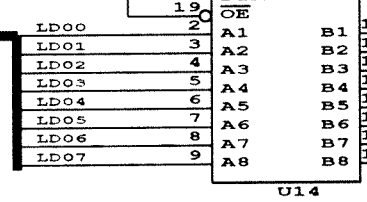
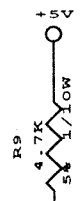
RESET

UART CS

WRITE

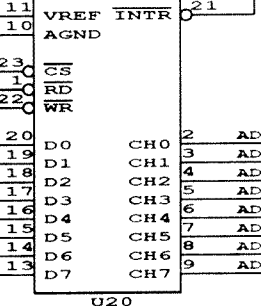
LA[00:14]

IO RES



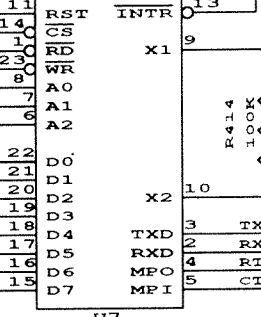
U14

DIP24
ADC0848



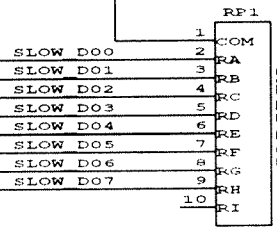
U20

D28_300M
SCC2691



U7

+5V



RF1

SPIIO
RESPIIO
4.7K
1/8W

A

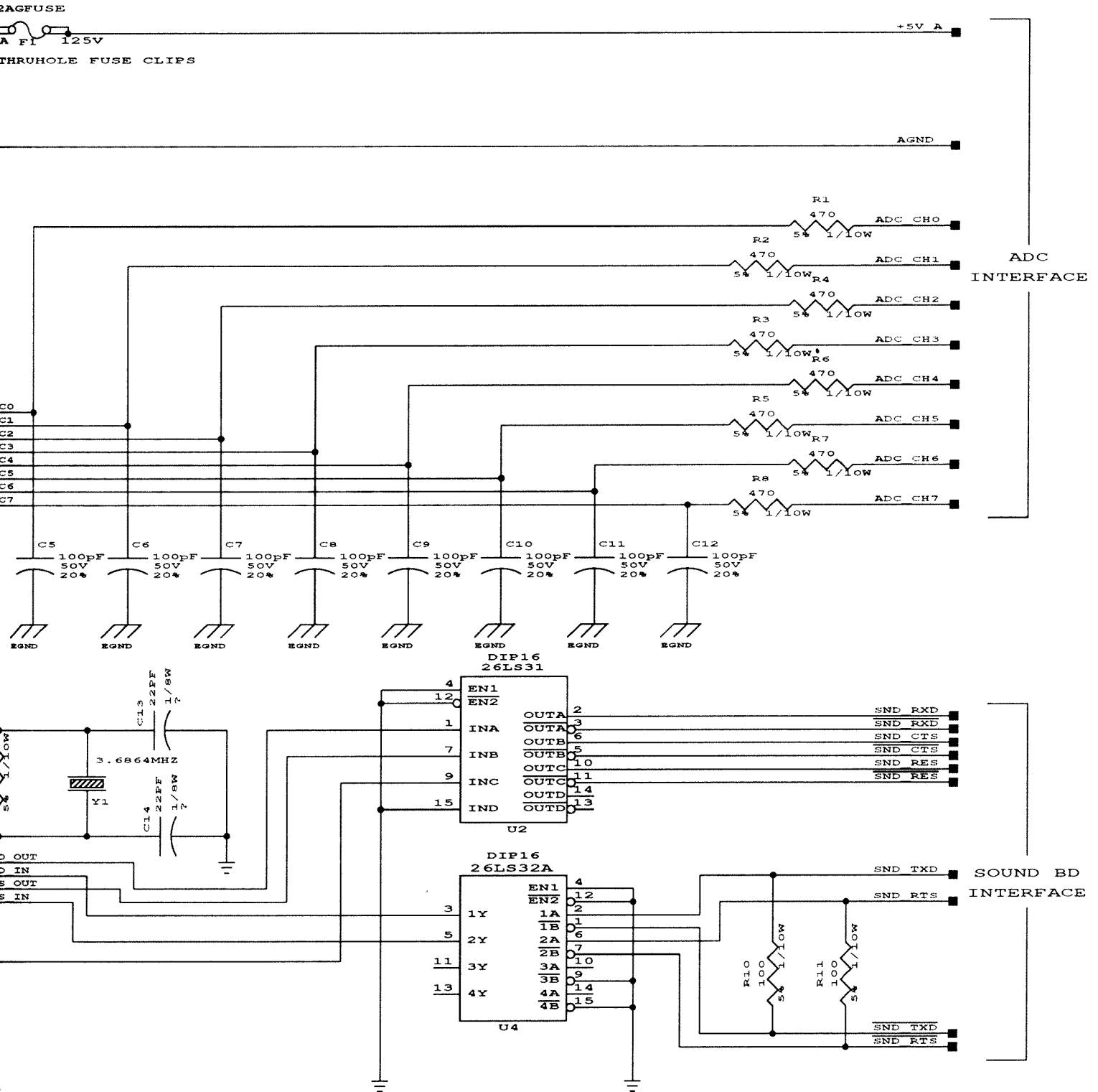
B

1

2

3

4



7K
8W

ECN	CHANGE	DATE
-----	--------	------

INFORMATION CONTAINED HEREIN IS CONFIDENTIAL PROPERTY AND MAY NOT BE USED OR DISCLOSED WITHOUT EXPRESS WRITTEN CONSENT FROM THE COMPANY.					
PROJECT ENG. STEVE CORRELL	1ST PROJ. NO.	DATE	WILLIAMS ELECTRONICS GAMES MIDWAY MANUFACTURING CO. 3401 N. CALIFORNIA AVENUE CHICAGO ILLINOIS USA		
DWN. BY	DATE	1ST USAGE	DATE	TITLE XUNIT	
RSC 5-12-1994_12:18		CURRENT PROJ.	DATE	A/D CONVERTER AND UART (SOUND INTERFACE)	
CHECKED	DATE	SHEET	OF	PART NO.	REV.
		23	26	16-9518	4

VIDEO CPU BOARD
PAGE 3-38

C

D

A

B

1

GENERAL PURPOSE B

2

3

4

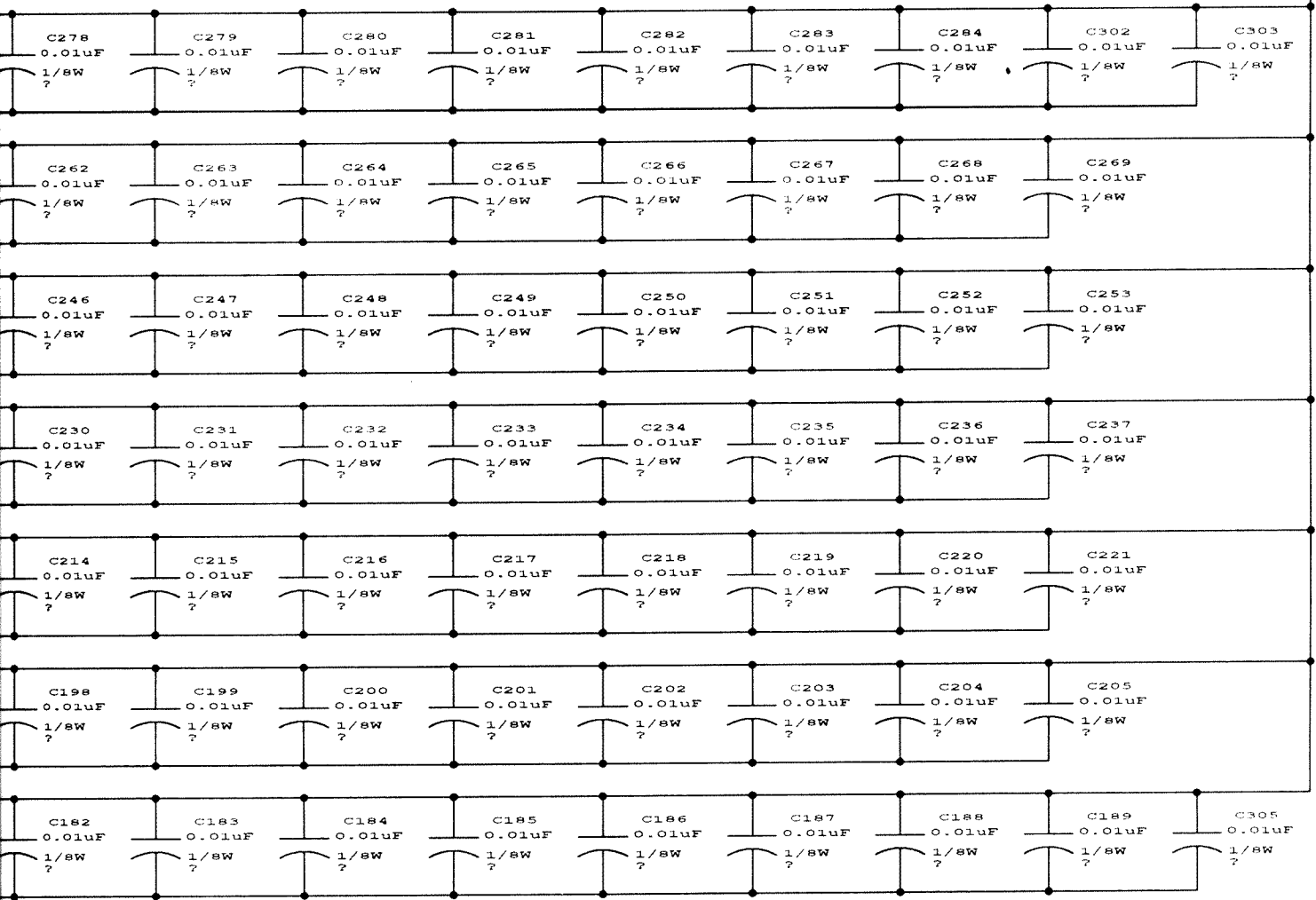


A

B

BYPASS CAPS

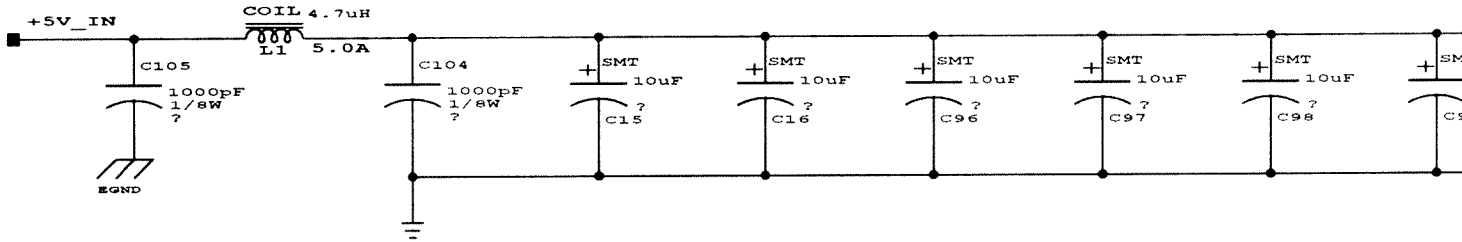
+5V



VIDEO CPU BOARD
PAGE 3-39

ECN		CHANGE		DATE
INFORMATION CONTAINED HEREIN IS CONFIDENTIAL PROPERTY AND MAY NOT BE USED OR DISCLOSED WITHOUT EXPRESS WRITTEN CONSENT FROM THE COMPANY.				
PROJECT ENG.		1ST PROJ. NO.	DATE	WILLIAMS ELECTRONICS GAMES MIDWAY MANUFACTURING CO. 3401 N. CALIFORNIA AVENUE CHICAGO ILLINOIS USA
STEVE CORRELL				
DWN. BY	DATE	1ST USEAGE	DATE	TITLE
JML	5-12-1994_12:18			XUNIT BYPASS CAPS
CHECKED	DATE	CURRENT PROJ.	DATE	
APPROVED	DATE	SHEET	OF	PART NO.
		24	26	16-9518
				REV. 4

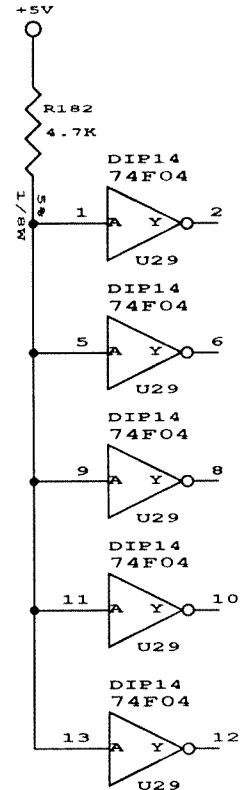
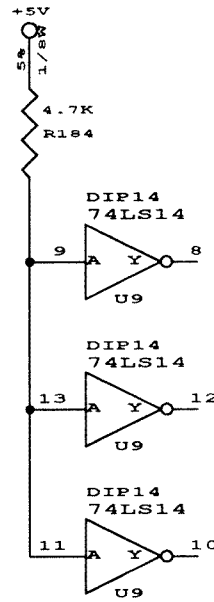
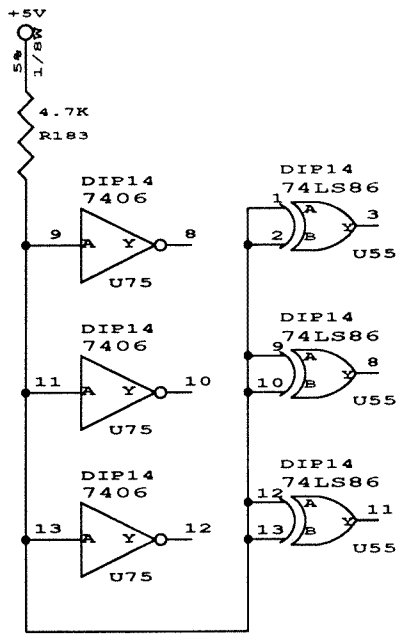
1



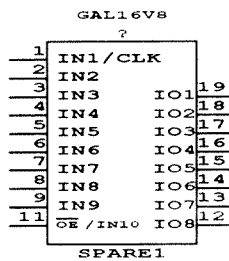
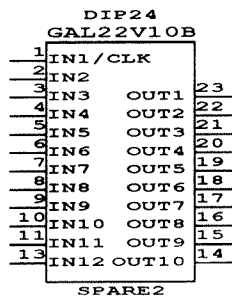
2

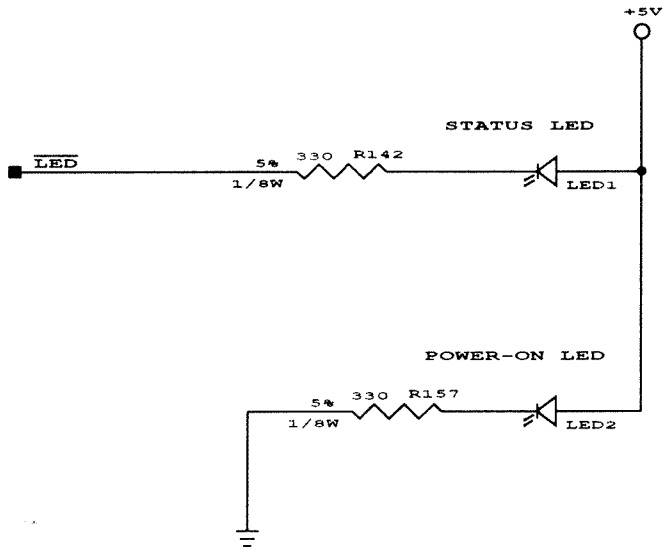
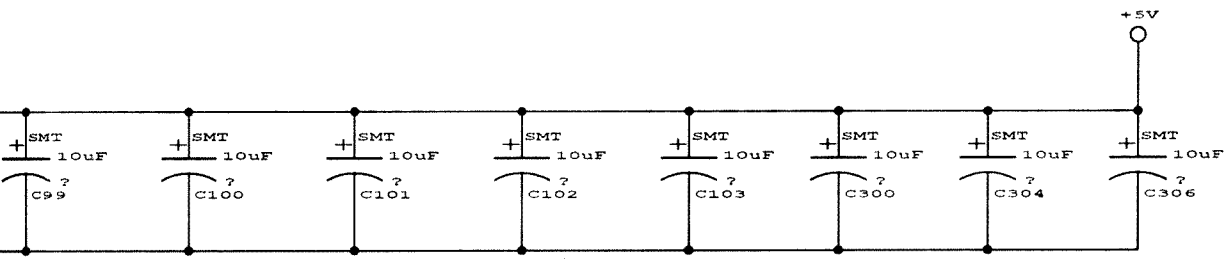
SPARE GATES

3

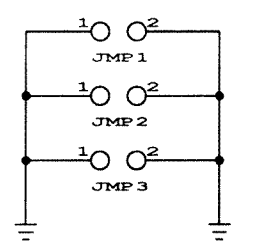
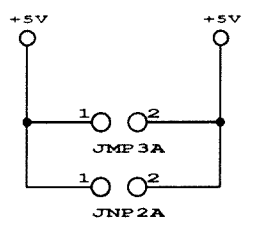


4





Test points

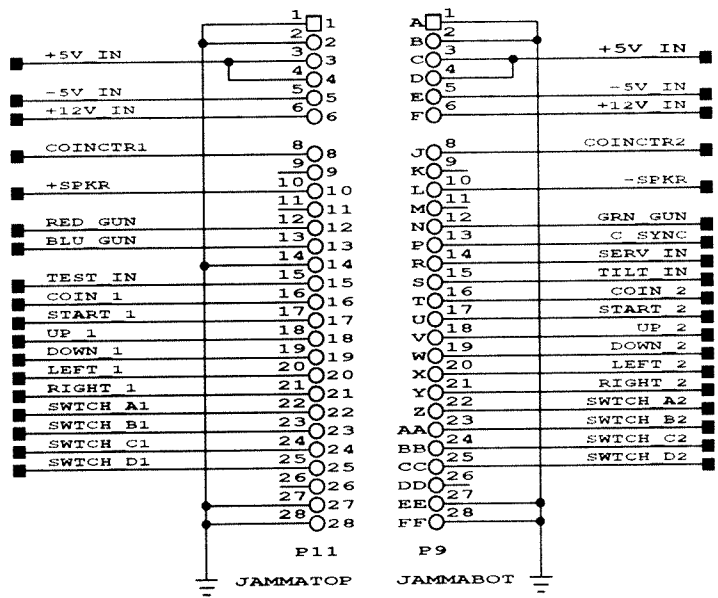


VIDEO CPU BOARD
PAGE 3-40

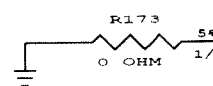
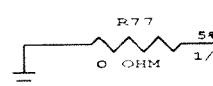
ECN	CHANGE	DATE

INFORMATION CONTAINED HEREIN IS CONFIDENTIAL PROPERTY AND MAY NOT BE USED OR DISCLOSED WITHOUT EXPRESS WRITTEN CONSENT FROM THE COMPANY.					
PROJECT ENG.		1ST PROJ. NO.	DATE	WILLIAMS ELECTRONICS GAMES	
STEVE CORRELL				MIDWAY MANUFACTURING CO.	
DWN. BY	DATE	1ST USAGE	DATE	3401 N. CALIFORNIA AVENUE	
JML	5-12-1994_12:18			CHICAGO ILLINOIS USA	
CHECKED	DATE	CURRENT PROJ.	DATE	TITLE	
				XUNIT	
				PLD/CONTROL	
APPROVED	DATE	SHEET	OF	PART NO.	REV.
		25	26	16-9518	4

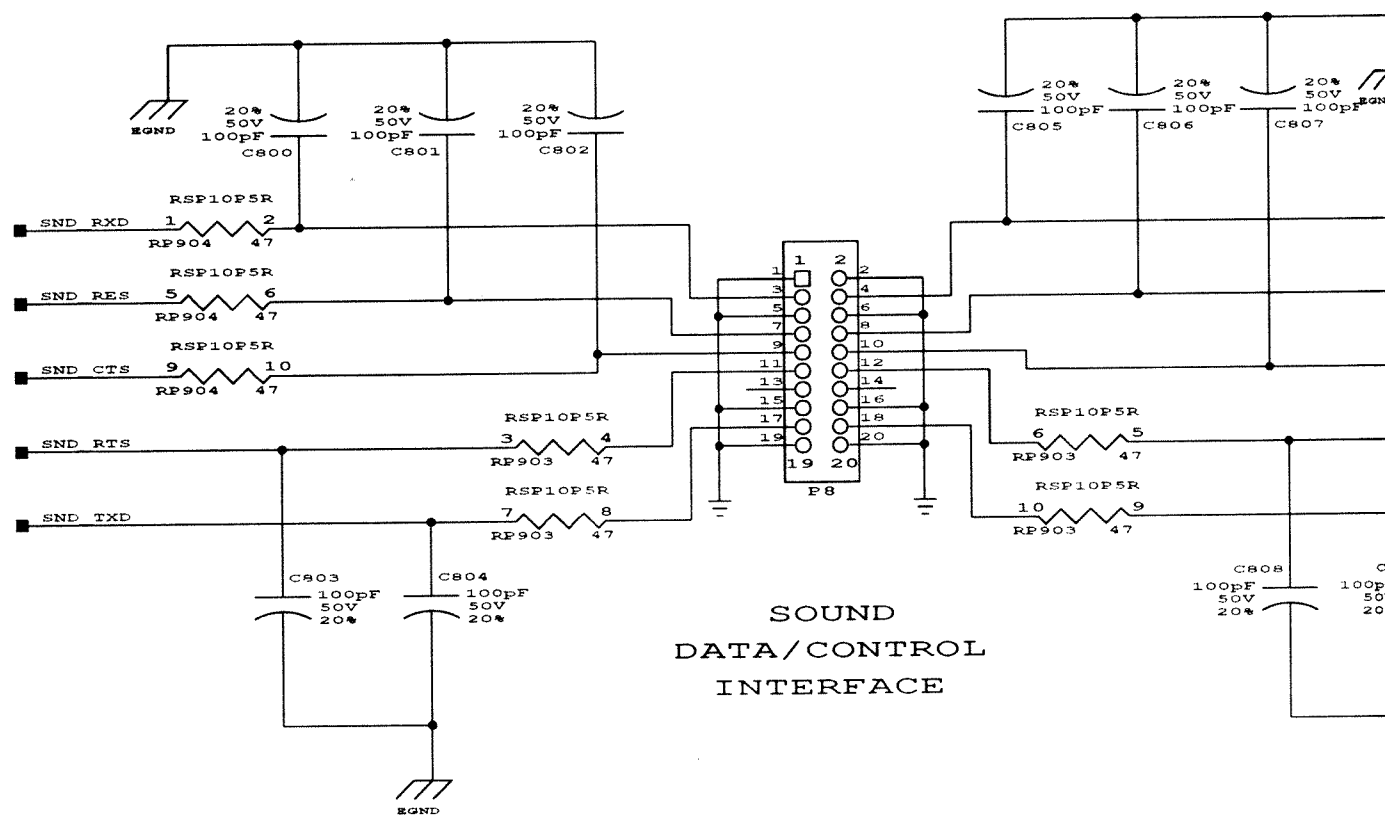
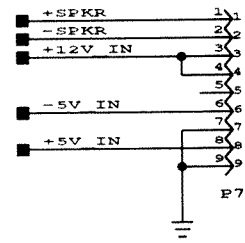
JAMMA INTERFACE EDGE CONNECTOR



ISOLATED GR...



SOUND POWER/SPEAKER INTERFAC...

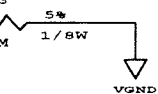
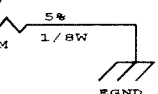


SOUND DATA/CONTROL INTERFACE

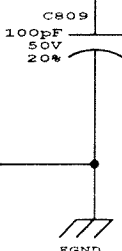
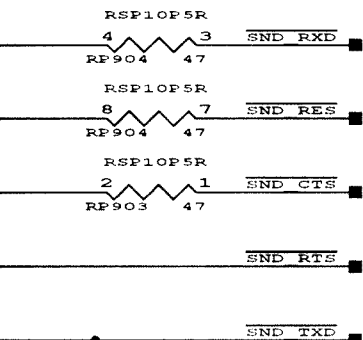
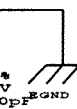
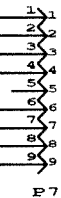
A

B

0 GROUNDS

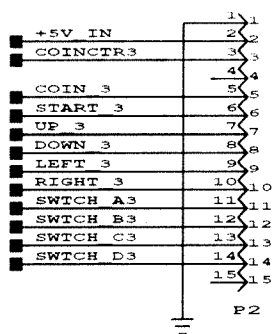


ND
PEAKER
FACE

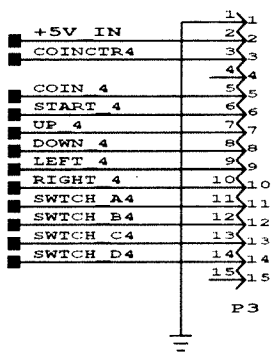


**VIDEO CPU BOARD
PAGE 3-41**

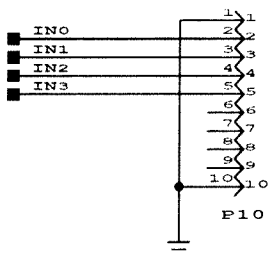
**PLAYER 3
I/O CONNECTOR**



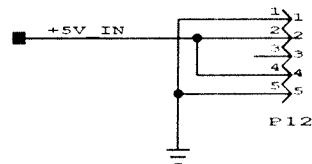
**PLAYER 4
I/O CONNECTOR**



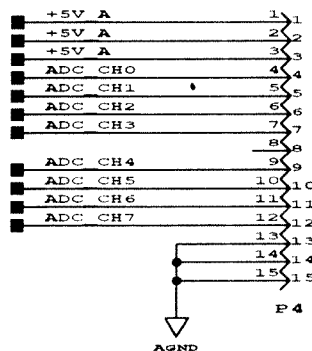
EXTRA INPUTS



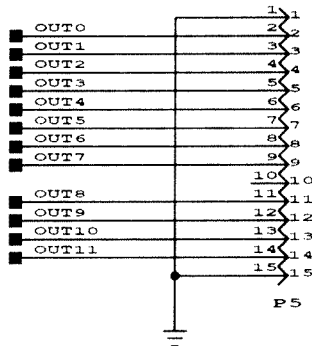
AUX. POWER OUT



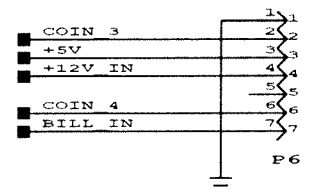
8 CHANNEL A/D



**AUX. LATCHED
OUTPUTS**



COIN 3 & 4 INPUTS

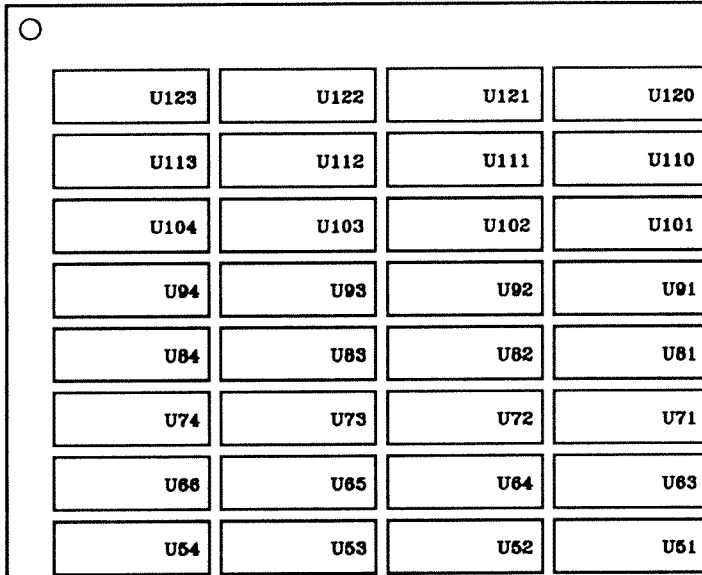
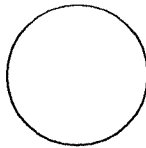


ECN		CHANGE		DATE	
INFORMATION CONTAINED HEREIN IS CONFIDENTIAL PROPERTY AND MAY NOT BE USED OR DISCLOSED WITHOUT EXPRESS WRITTEN CONSENT FROM THE COMPANY.					
PROJECT ENG.		1ST PROJ. NO.	DATE	WILLIAMS ELECTRONICS GAMES MIDWAY MANUFACTURING CO. 3401 N. CALIFORNIA AVENUE CHICAGO ILLINOIS USA	
STEVE CORRELL				TITLE XUNIT	
DWN. BY	DATE	1ST USAGE	DATE	connectors	
JML	5-12-1994_12:18				
CHECKED	DATE	CURRENT PROJ.	DATE		
APPROVED	DATE	SHEET	OF	PART NO.	REV.
		26	26	16-9518	4

TO SPEAKER CABLE

1/4" CLIP
03-7855-4

1/4" CLIP
03-7855-4



CPU ASSEMBLY
A-16744-40019

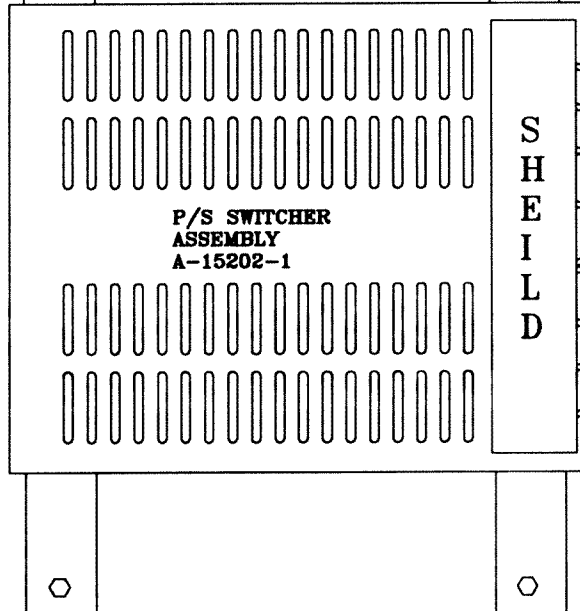
P7

PLASTIC PCB SPACER 03-8338-1 (QTY 15)
HEX WOOD SCREW 4106-01115-12 (QTY 15)
Used on Video, Sound, and Driver boards.

POWER SUPPLY MOUNTING BRACKETS
MOUNT UNDER VIDEO CPU BOARD

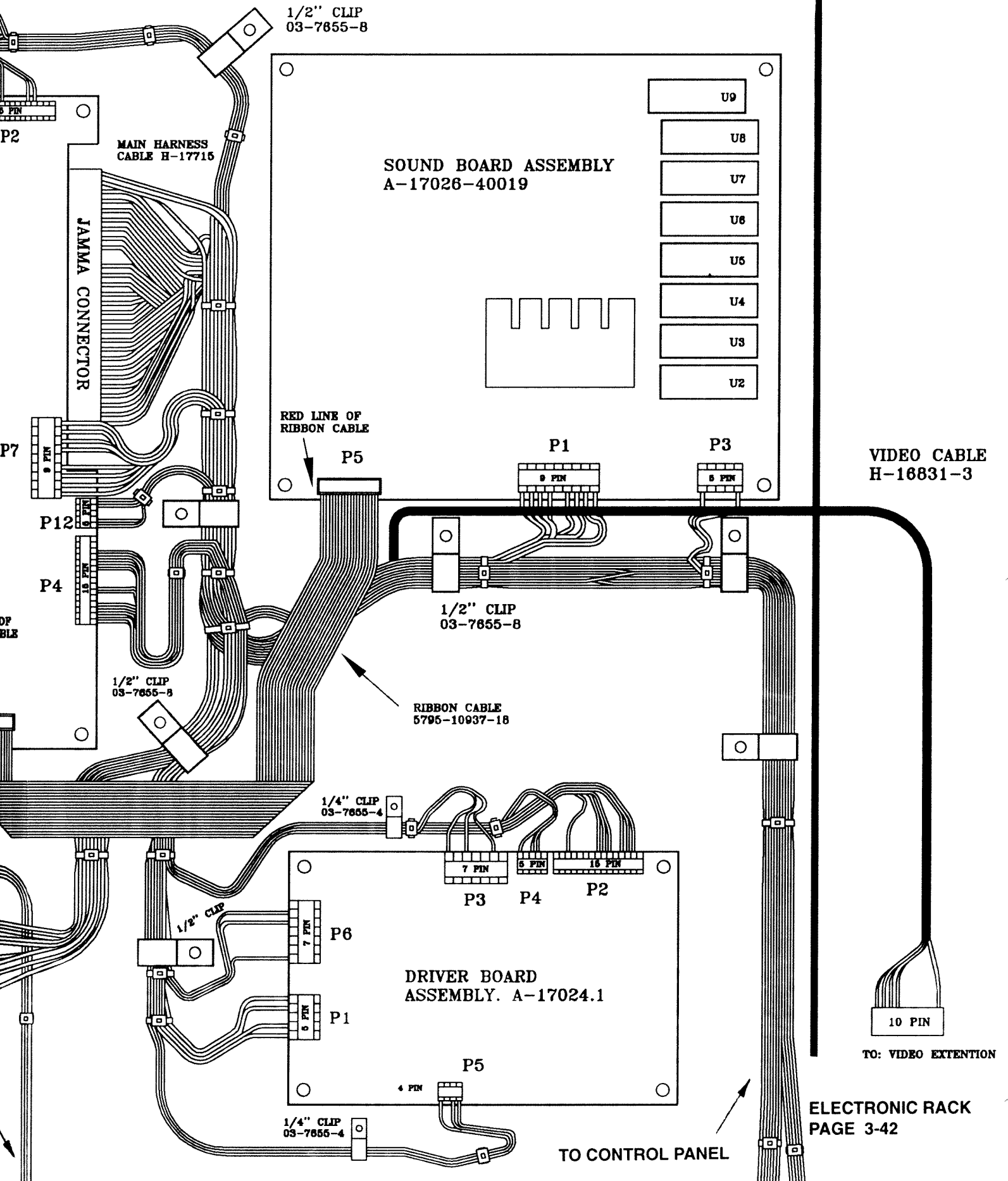
RED LINE OF
RIBBON CABLE

P8



SLIDE OUT RACK
11-1175

AC IN



WARNING & NOTICES

WARNING

USE OF NON-MIDWAY PARTS OR CIRCUIT MODIFICATIONS MAY CAUSE SERIOUS INJURY OR EQUIPMENT DAMAGE! USE ONLY MIDWAY AUTHORIZED PARTS.

* For safety and reliability, substitute parts and modifications are not recommended.

* Substitute parts or modifications may void FCC type acceptance.

* This game is protected by federal copyright, trademark and patent laws. Unauthorized modifications may be illegal under federal law. This also applies to MIDWAY logos, designs, publications and assemblies. Moreover, facsimiles of MIDWAY equipment (or any feature thereof) may be illegal under federal law, regardless of whether or not such facsimiles are manufactured with MIDWAY components.

WARNING

NOTE: This equipment has been tested and found to comply with the limits for a Class A digital device, pursuant to Part 15 of the FCC Rules. These limits are designed to provide reasonable protection against harmful interference when the equipment is operated in a commercial environment. This equipment generated, uses and can radiate radio frequency energy and if not installed and used in accordance with the instruction manual, may cause harmful interference to radio communications. Operation of this equipment in a residential area is likely to cause harmful interference in which case the user will be required to correct the interference at his own expense.

WARNING

Prevent shock hazard and assure proper game operation. Only plug this game into a properly grounded outlet. Do not use a cheater plug to defeat the power cord's grounding pin. Do not cut off the ground pin.

NOTICE

When MIDWAY ships a game, it is in compliance with FCC regulations. Your sticker is proof. If the sticker is missing or damaged, legal repercussions to the owner or distributor of the game may result. If your game does contain an FCC sticker, call MIDWAY immediately.

NOTICE

No part of this publication may be reproduced by any mechanical, photographic, or electronic process, or in the form of a phonographic recording, nor may be transmitted, or otherwise copied for public or private use, without permission from the publisher.

FOR SERVICE: CALL YOUR AUTHORIZED MIDWAY DISTRIBUTOR.

Revolution X™ Music is the Weapon™

Featuring Aerosmith®

©1994 Midway® Manufacturing Company

Revolution X™ and Rev X™

are trademarks of Midway Manufacturing Company

DCS Sound System™ is a trademark of Williams Electronics Games, Inc.

ALL RIGHTS RESERVED

"EAT THE RICH"

(Composers: Steven Tyler, Joe Perry and Jim Vallance)

©1993 Swag Song Music, Inc./Almo Music Corp./

Testatyme Music (ASCAP)

Courtesy of Geffen Records

Used by Permission - All Rights Reserved

"INTRO"

(Composer: Steven Tyler)

©1993 Swag Song Music, Inc. (ASCAP)

Courtesy of Geffen Records

Used by Permission - All Rights Reserved

"LOVE IN AN ELEVATOR"

(Composers: Steven Tyler/Joe Perry)

©1989 Swag Song Music, Inc. (ASCAP)

Used by Permission - All Rights Reserved

"SWEET EMOTION"

(Composers: Steven Tyler/Tom Hamilton)

©1975 Daksel Music Corp.

Courtesy of SONY Music Entertainment

"WALK THIS WAY"

and

"TOYS IN THE ATTIC"

(Composers: Steven Tyler/Joe Perry)

©1975 Daksel Music Corp.

Courtesy of SONY Music Entertainment

Used by Permission - All Rights Reserved

MIDWAY MANUFACTURING COMPANY

3401 N. CALIFORNIA AVE.

CHICAGO, IL 60618

Entire contents of the manual copyright © 1994 MIDWAY Manufacturing Company.