

Table of Contents

Pac-Mania™ ROM PCB Assembly Schematic Diagram (8 pages) Sheets 1B-5A

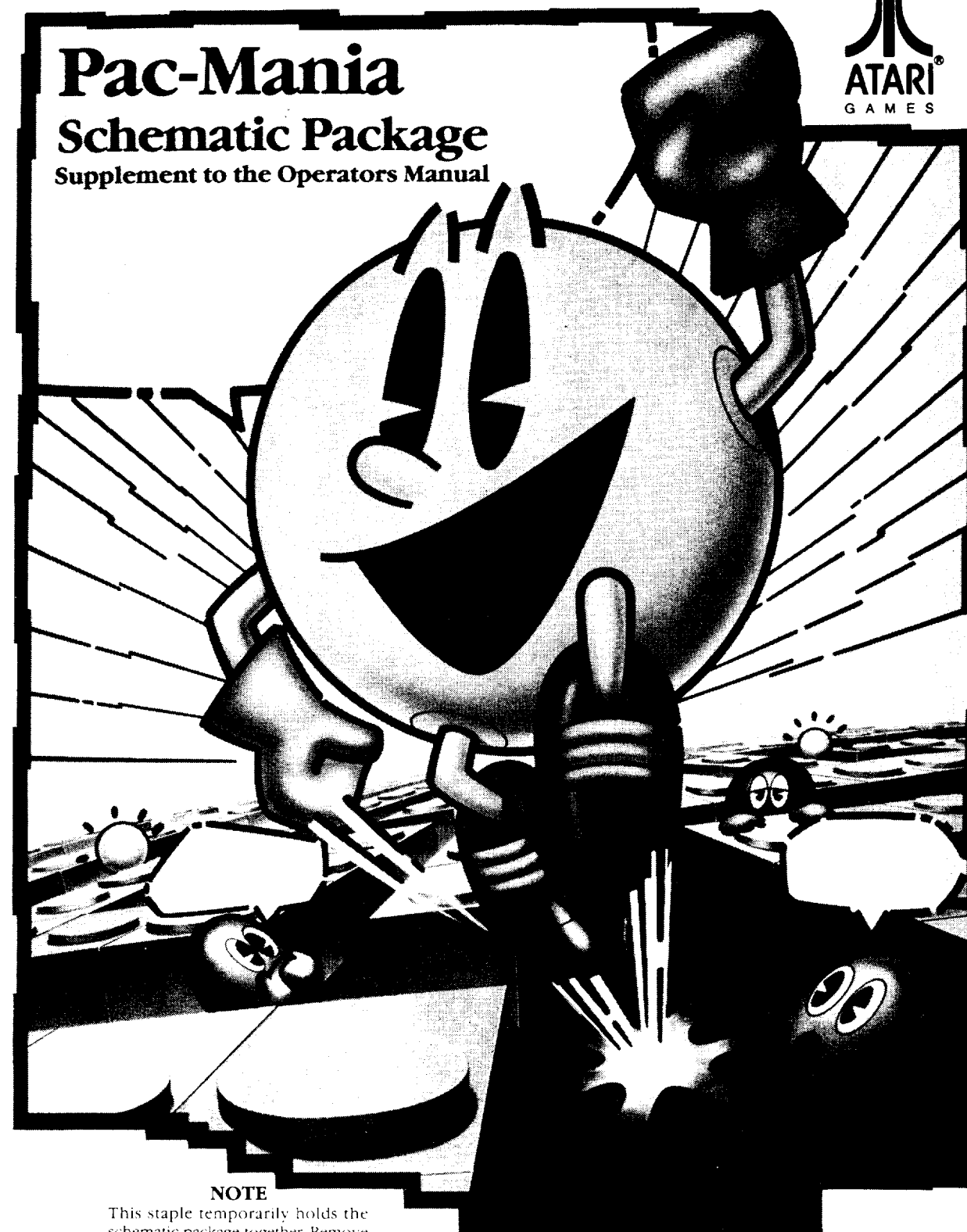
Pac-Mania CPU PCB Assembly Schematic Diagram (8 pages) Sheets 5B-9A

End PCB Assembly Schematic Diagram Sheet 9B

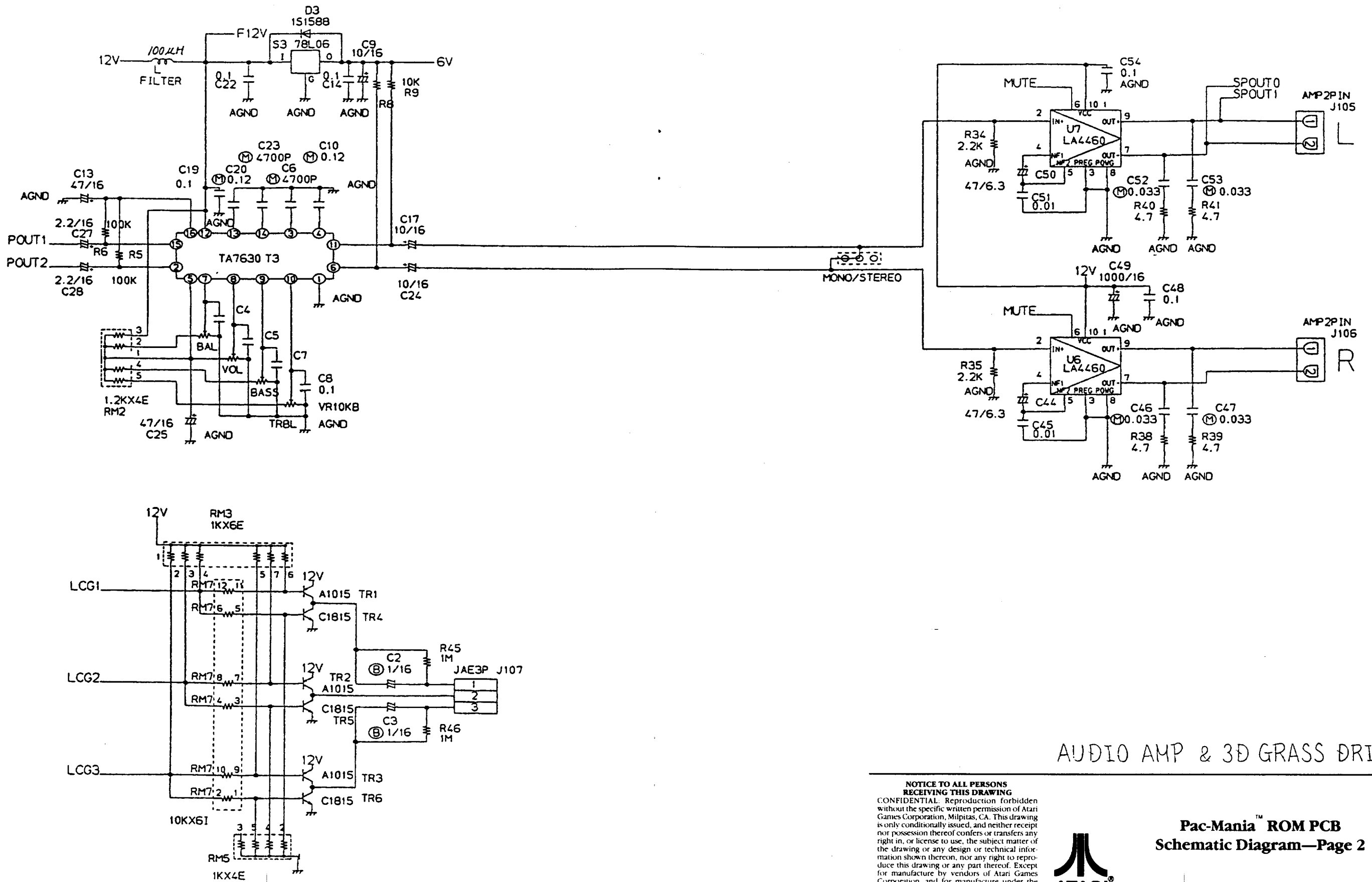
Switching/Linear (SL) Power Supply Wiring Diagram and
Astec 5V/12V Switching Power Supply Wiring Diagram Sheet 10A

Pac-Mania Main Wiring Diagram and Coin Door Wiring Diagram Sheet 10B

*Pac-Mania is engineered and designed by Namco Ltd.
Manufactured by Atari Games. Trademark and © Namco 1987.*



NOTE
This staple temporarily holds the schematic package together. Remove the staple before using these schematics.



AUDIO AMP & 3D GRASS DRIVER

NOTICE TO ALL PERSONS RECEIVING THIS DRAWING
 CONFIDENTIAL. Reproduction forbidden without the specific written permission of Atari Games Corporation, Milpitas, CA. This drawing is only conditionally issued, and neither receipt nor possession thereof confers or transfers any right in, or license to use, the subject matter of the drawing or any design or technical information shown thereon, nor any right to reproduce this drawing or any part thereof. Except for manufacture by vendors of Atari Games Corporation, and for manufacture under the corporation's written license, no right is granted to reproduce this drawing or the subject matter thereof, unless by written agreement with or written permission from the corporation.

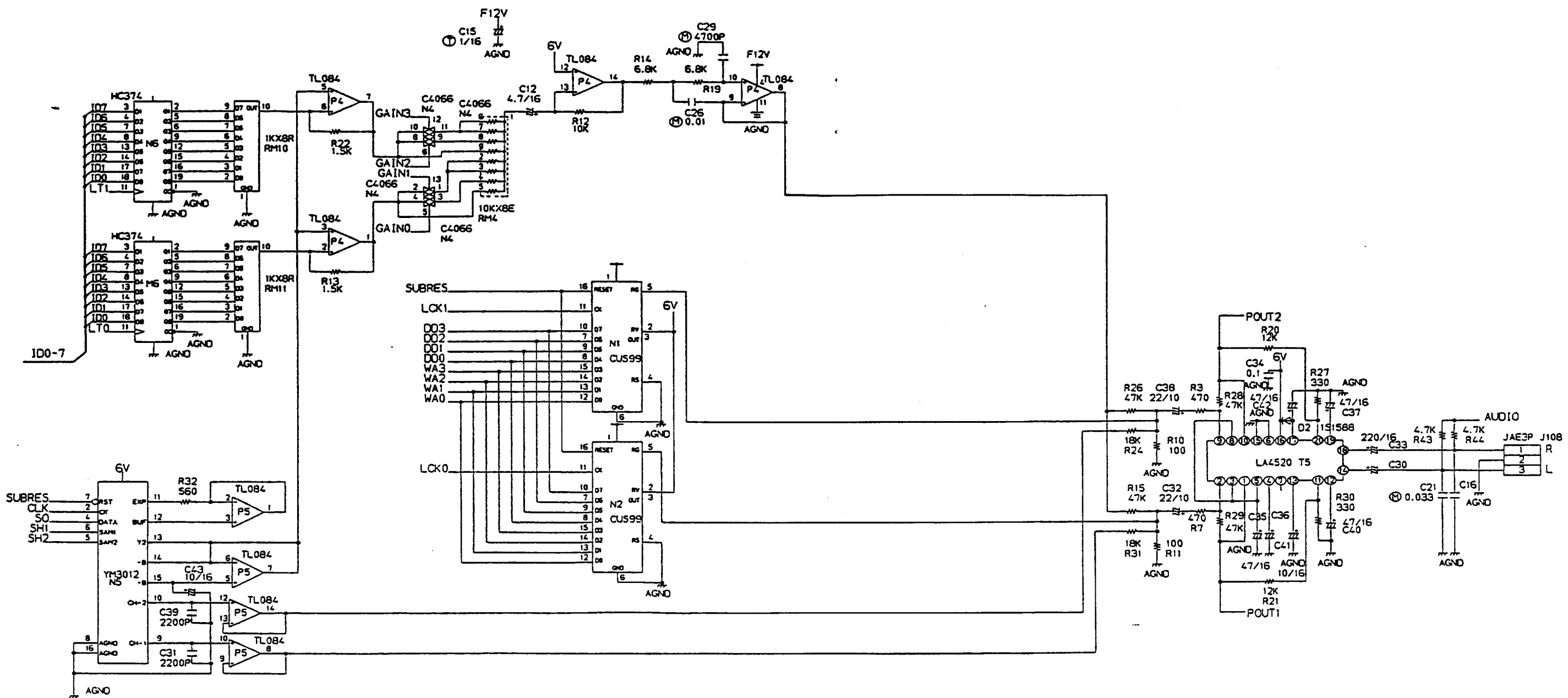


Pac-Mania™ ROM PCB
Schematic Diagram—Page 2

© 1987 Atari Games Corporation

SP-315 Sheet 2A
 1st printing

99180356



SOUND MIX & HEAD PHONE AMP

NOTICE TO ALL PERSONS RECEIVING THIS DRAWING
 CONFIDENTIAL. Reproduction forbidden without the specific written permission of Atari Games Corporation, Milpitas, CA. This drawing is only conditionally issued, and neither receipt nor possession thereof confers or transfers any right in, or license to use, the subject matter of the drawing or any design or technical information shown thereon, nor any right to reproduce this drawing or any part thereof. Except for manufacture by vendors of Atari Games Corporation, and for manufacture under the corporation's written license, no right is granted to reproduce this drawing or the subject matter thereof, unless by written agreement with or written permission from the corporation.

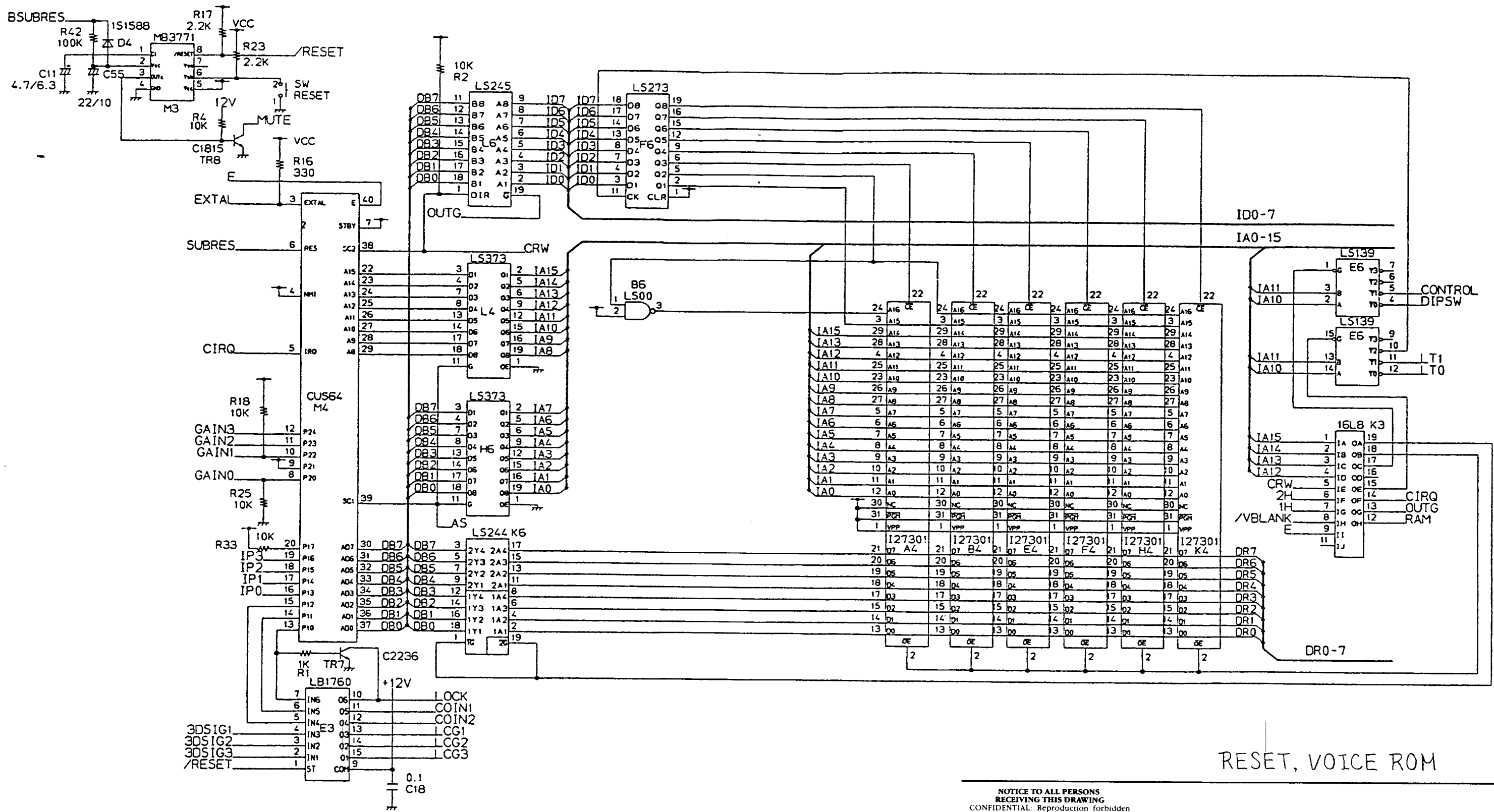


Pac-Mania™ ROM PCB
Schematic Diagram—Page 3

© 1987 Atari Games Corporation

SP-315 Sheet 2B
 1st printing

09-090156



RESET, VOICE ROM

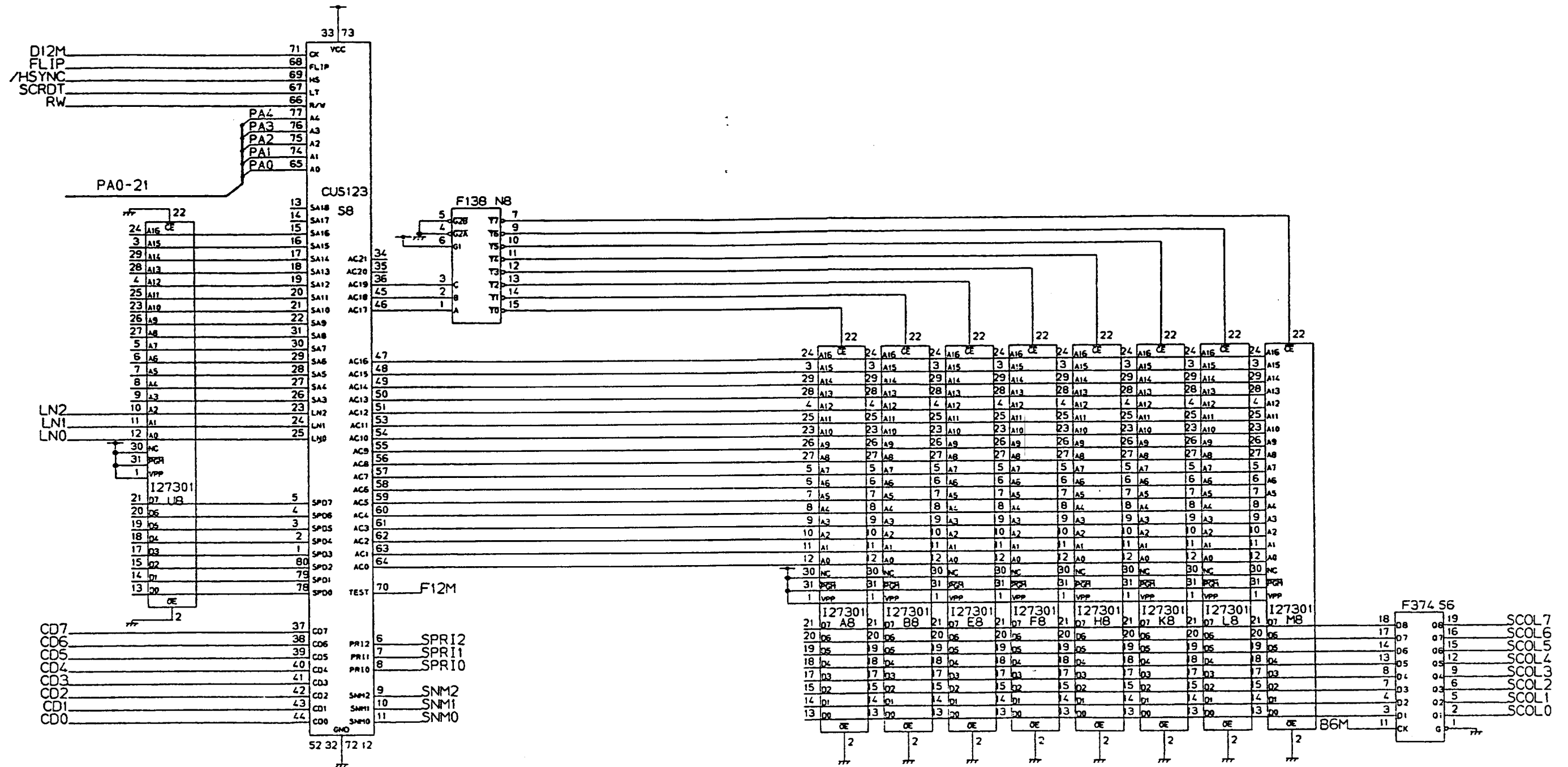
NOTICE TO ALL PERSONS RECEIVING THIS DRAWING
 CONFIDENTIAL: Reproduction forbidden without the specific written permission of Atari Games Corporation, Milpitas, CA. This drawing is only conditionally issued, and neither receipt nor possession thereof confers or transfers any right in, or license to use, the subject matter of the drawing or any design or technical information shown thereon, nor any right to reproduce this drawing or any part thereof. Except for manufacture by vendors of Atari Games Corporation, and for manufacture under the corporation's written license, no right is granted to reproduce this drawing or the subject matter thereof, unless by written agreement with or written permission from the corporation.



Pac-Mania™ ROM PCB Schematic Diagram—Page 4

© 1987 Atari Games Corporation

SP-315 Sheet 3A 1st printing



SCROLL SCREEN CHARACTER ROM

NOTICE TO ALL PERSONS RECEIVING THIS DRAWING

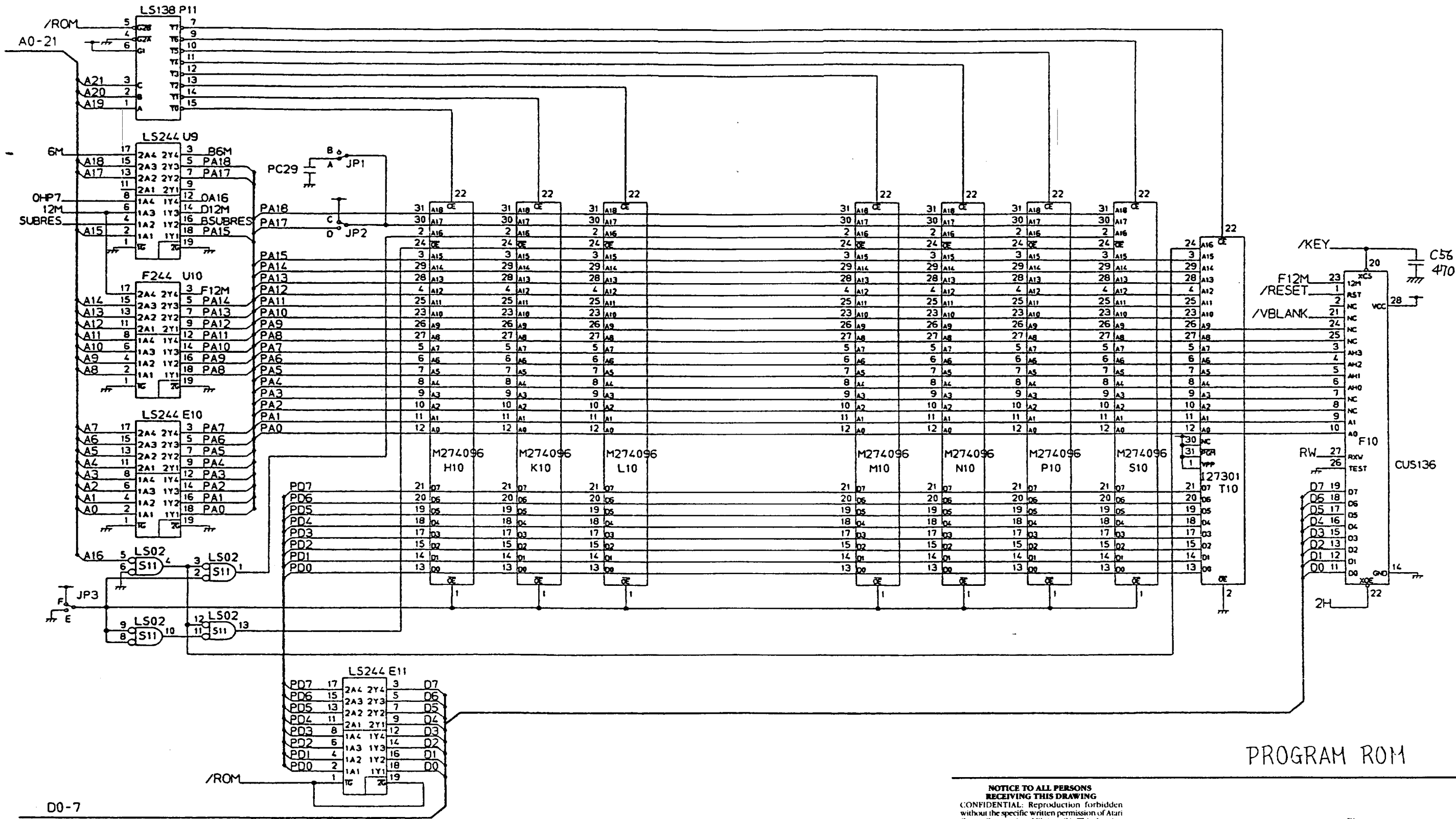
CONFIDENTIAL: Reproduction forbidden without the specific written permission of Atari Games Corporation, Milpitas, CA. This drawing is only conditionally issued, and neither receipt nor possession thereof confers or transfers any right in, or license to use, the subject matter of the drawing or any design or technical information shown thereon, nor any right to reproduce this drawing or any part thereof. Except for manufacture by vendors of Atari Games Corporation, and for manufacture under the corporation's written license, no right is granted to reproduce this drawing or the subject matter thereof, unless by written agreement with or written permission from the corporation.



Pac-Mania™ ROM PCB Schematic Diagram—Page 5

© 1987 Atari Games Corporation

SP-315 Sheet 3B
1st printing



PROGRAM ROM

D0-7

NOTICE TO ALL PERSONS RECEIVING THIS DRAWING
 CONFIDENTIAL: Reproduction forbidden without the specific written permission of Atari Games Corporation, Milpitas, CA. This drawing is only conditionally issued, and neither receipt nor possession thereof confers or transfers any right in, or license to use, the subject matter of the drawing or any design or technical information shown thereon, nor any right to reproduce this drawing or any part thereof. Except for manufacture by vendors of Atari Games Corporation, and for manufacture under the corporation's written license, no right is granted to reproduce this drawing or the subject matter thereof, unless by written agreement with or written permission from the corporation.



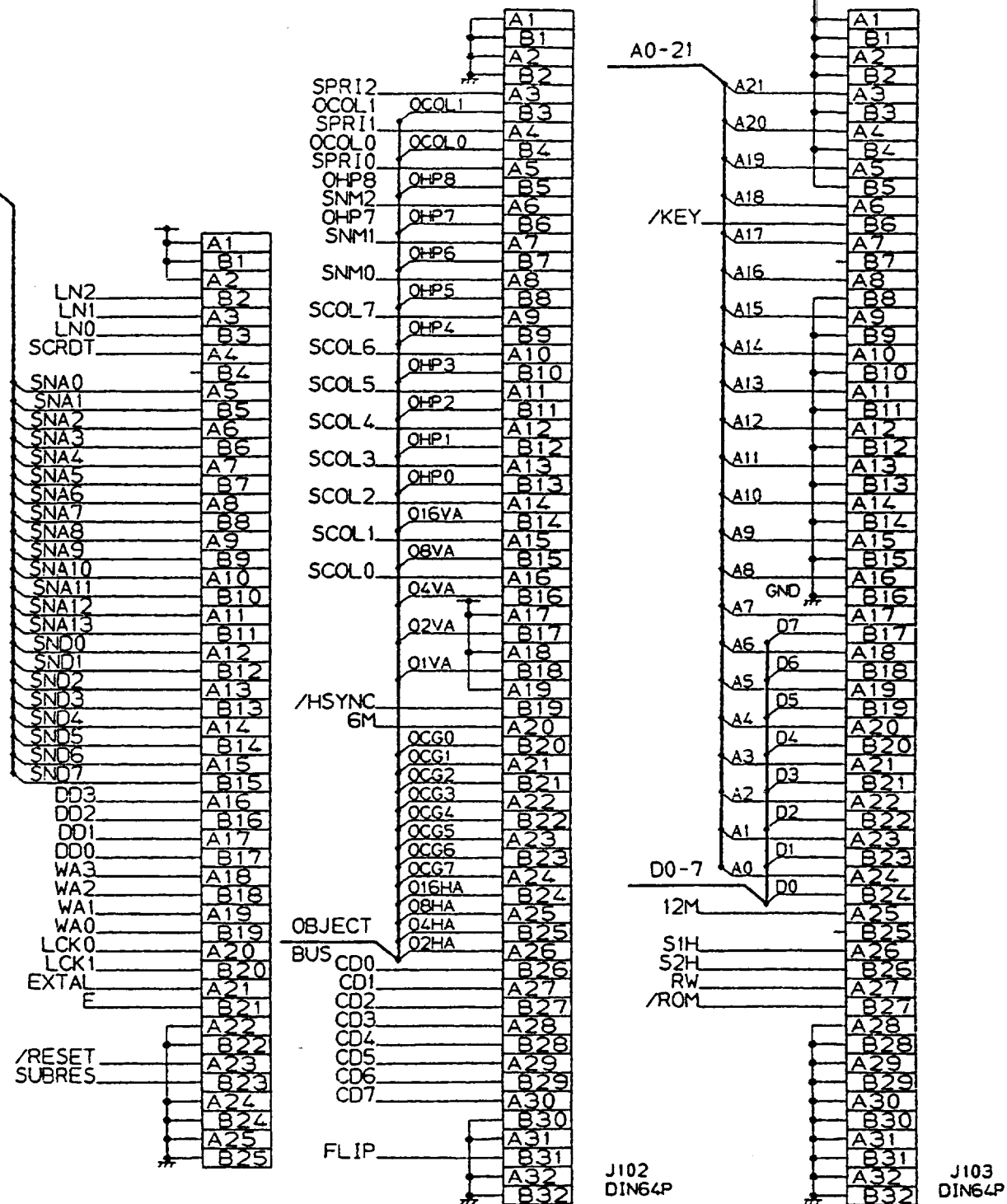
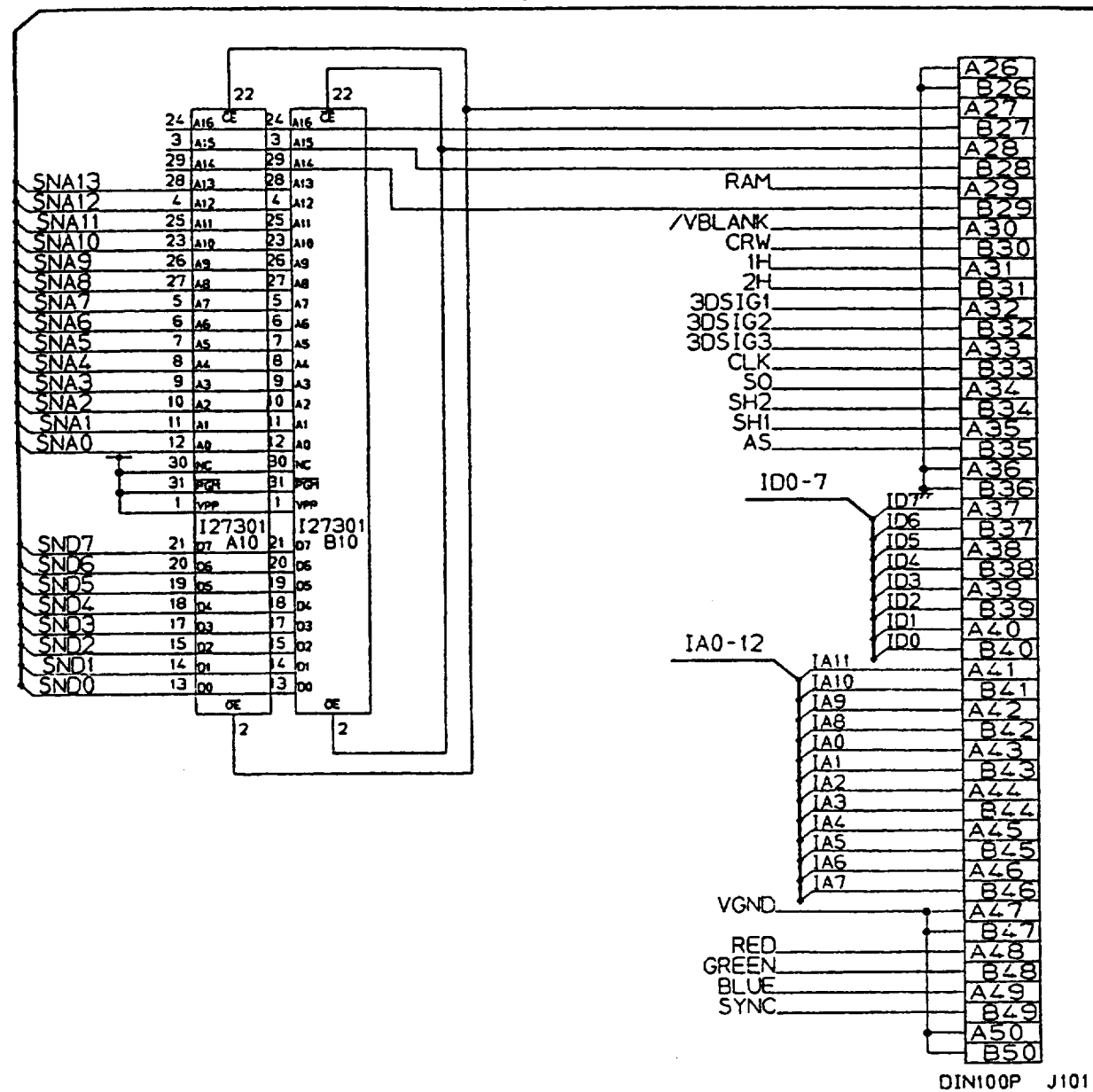
Pac-Mania™ ROM PCB Schematic Diagram—Page 7

© 1987 Atari Games Corporation

SP-315 Sheet 4B
1st printing

99-090156

SND0-7, SNA0-13



DIN CONNECTOR, SOUND RAM

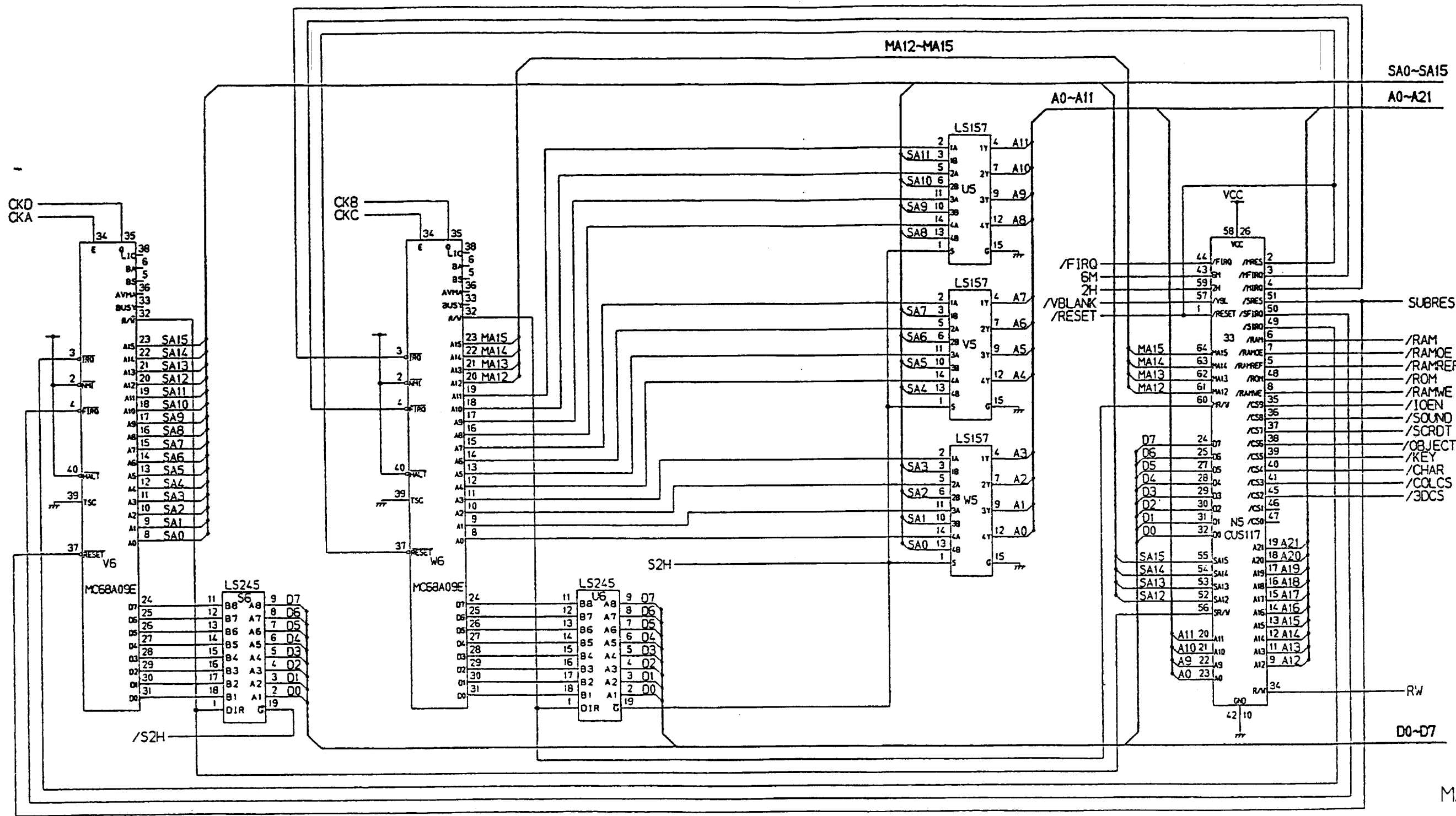
NOTICE TO ALL PERSONS RECEIVING THIS DRAWING
 CONFIDENTIAL: Reproduction forbidden without the specific written permission of Atari Games Corporation, Milpitas, CA. This drawing is only conditionally issued, and neither receipt nor possession thereof confers or transfers any right in, or license to use, the subject matter of the drawing or any design or technical information shown thereon, nor any right to reproduce this drawing or any part thereof. Except for manufacture by vendors of Atari Games Corporation, and for manufacture under the corporation's written license, no right is granted to reproduce this drawing or the subject matter thereof, unless by written agreement with or written permission from the corporation.



Pac-Mania™ ROM PCB Schematic Diagram—Page 8

© 1987 Atari Games Corporation

SP-315 Sheet 5A
1st printing



MAIN, SUB CPU

NOTICE TO ALL PERSONS RECEIVING THIS DRAWING

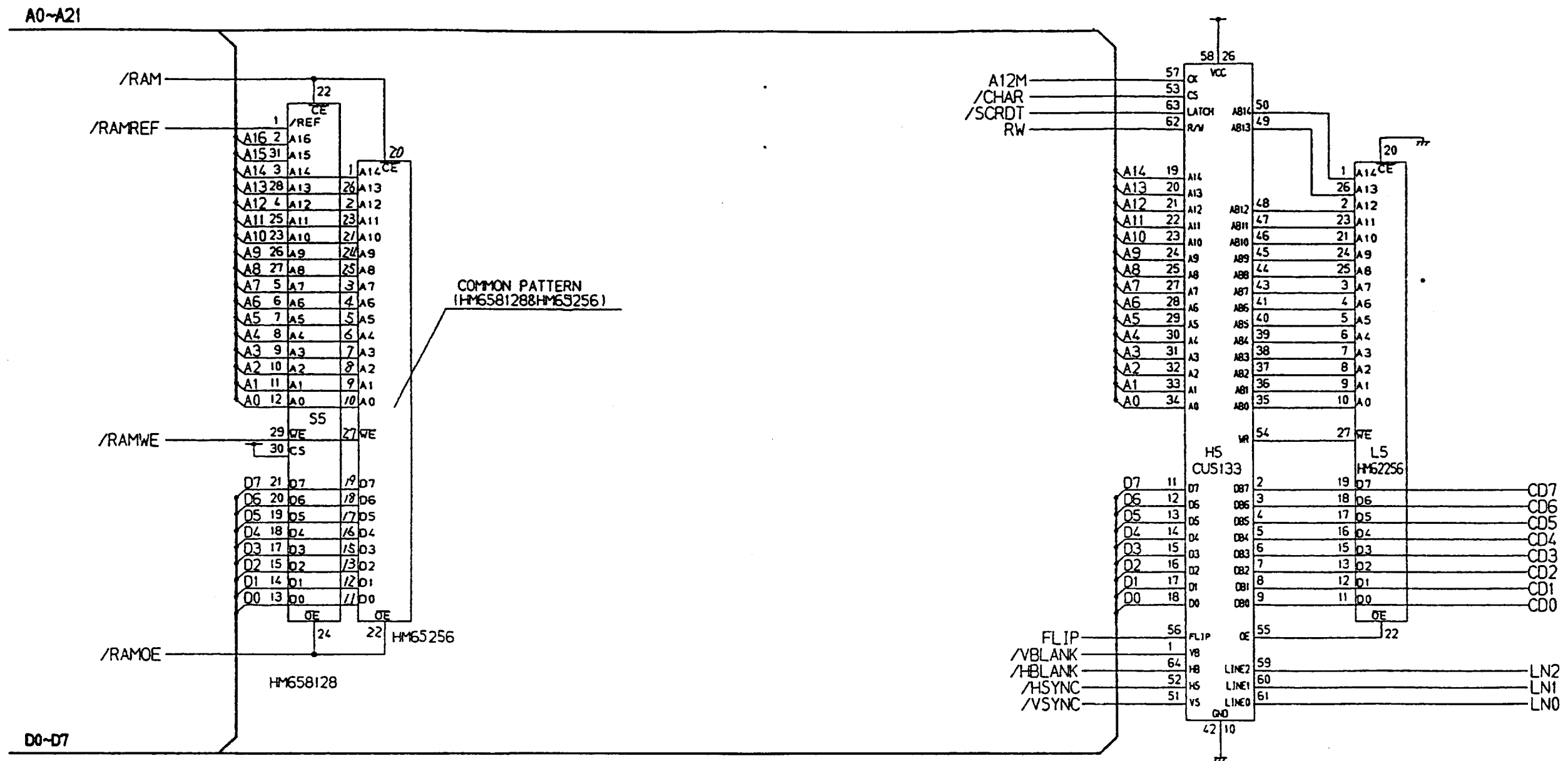
CONFIDENTIAL: Reproduction forbidden without the specific written permission of Atari Games Corporation, Milpitas, CA. This drawing is only conditionally issued, and neither receipt nor possession thereof confers or transfers any right in, or license to use, the subject matter of the drawing or any design or technical information shown thereon, nor any right to reproduce this drawing or any part thereof. Except for manufacture by vendors of Atari Games Corporation, and for manufacture under the corporation's written license, no right is granted to reproduce this drawing or the subject matter thereof, unless by written agreement with or written permission from the corporation.



Pac-Mania™ CPU PCB Schematic Diagram—Page 1

© 1987 Atari Games Corporation

SP-315 Sheet 5B 1st printing



WORK RAM, SCROLL ADDRESSER

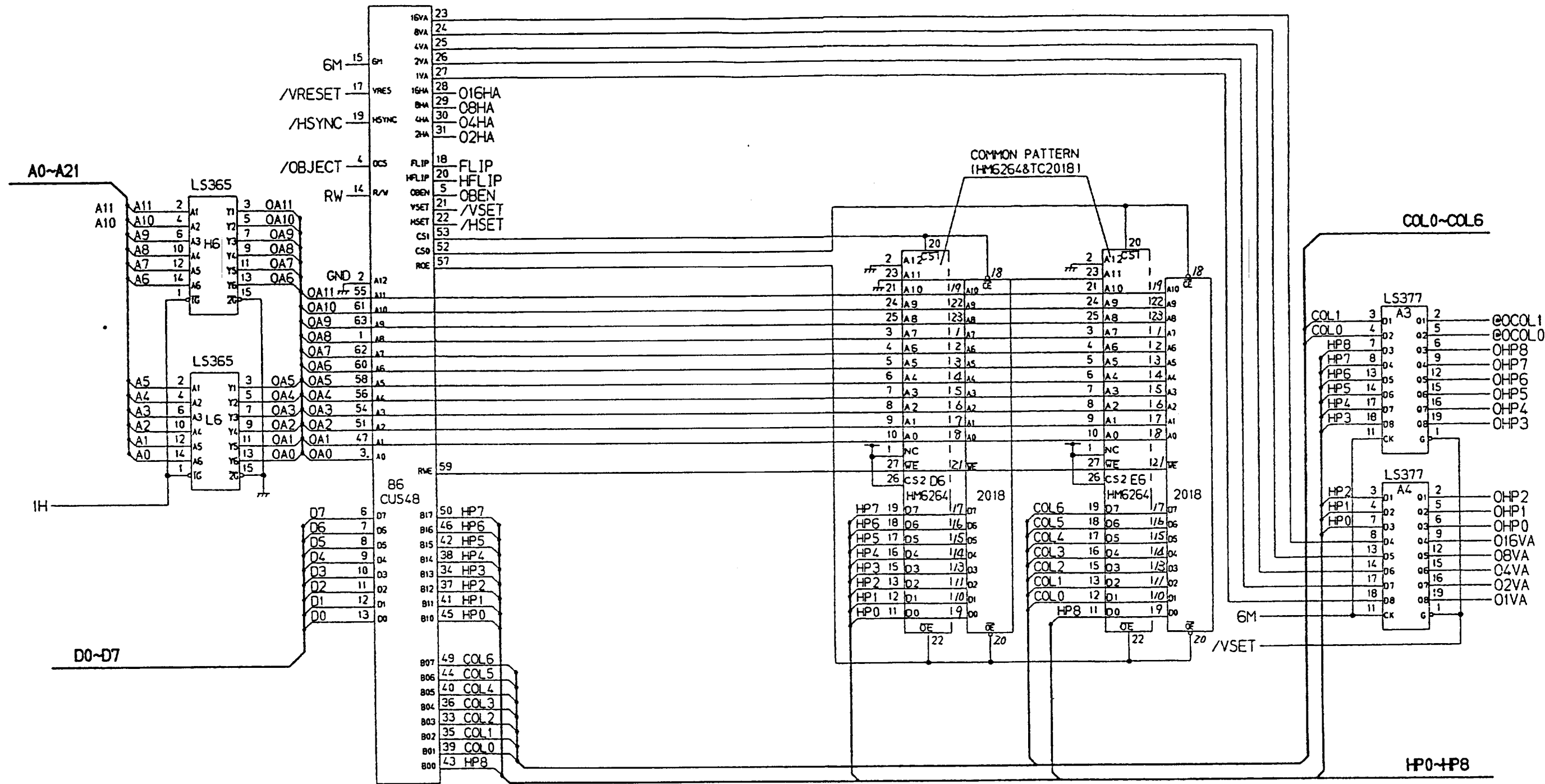
NOTICE TO ALL PERSONS RECEIVING THIS DRAWING
 CONFIDENTIAL: Reproduction forbidden without the specific written permission of Atari Games Corporation, Milpitas, CA. This drawing is only conditionally issued, and neither receipt nor possession thereof confers or transfers any right in, or license to use, the subject matter of the drawing or any design or technical information shown thereon, nor any right to reproduce this drawing or any part thereof. Except for manufacture by vendors of Atari Games Corporation, and for manufacture under the corporation's written license, no right is granted to reproduce this drawing or the subject matter thereof, unless by written agreement with or written permission from the corporation.



Pac-Mania™ CPU PCB Schematic Diagram—Page 2

© 1987 Atari Games Corporation

SP-315 Sheet 6A 1st printing



OBJECT CONTROL

NOTICE TO ALL PERSONS RECEIVING THIS DRAWING
 CONFIDENTIAL: Reproduction forbidden without the specific written permission of Atari Games Corporation, Milpitas, CA. This drawing is only conditionally issued, and neither receipt nor possession thereof confers or transfers any right in, or license to use, the subject matter of the drawing or any design or technical information shown thereon, nor any right to reproduce this drawing or any part thereof. Except for manufacture by vendors of Atari Games Corporation, and for manufacture under the corporation's written license, no right is granted to reproduce this drawing or the subject matter thereof, unless by written agreement with or written permission from the corporation.

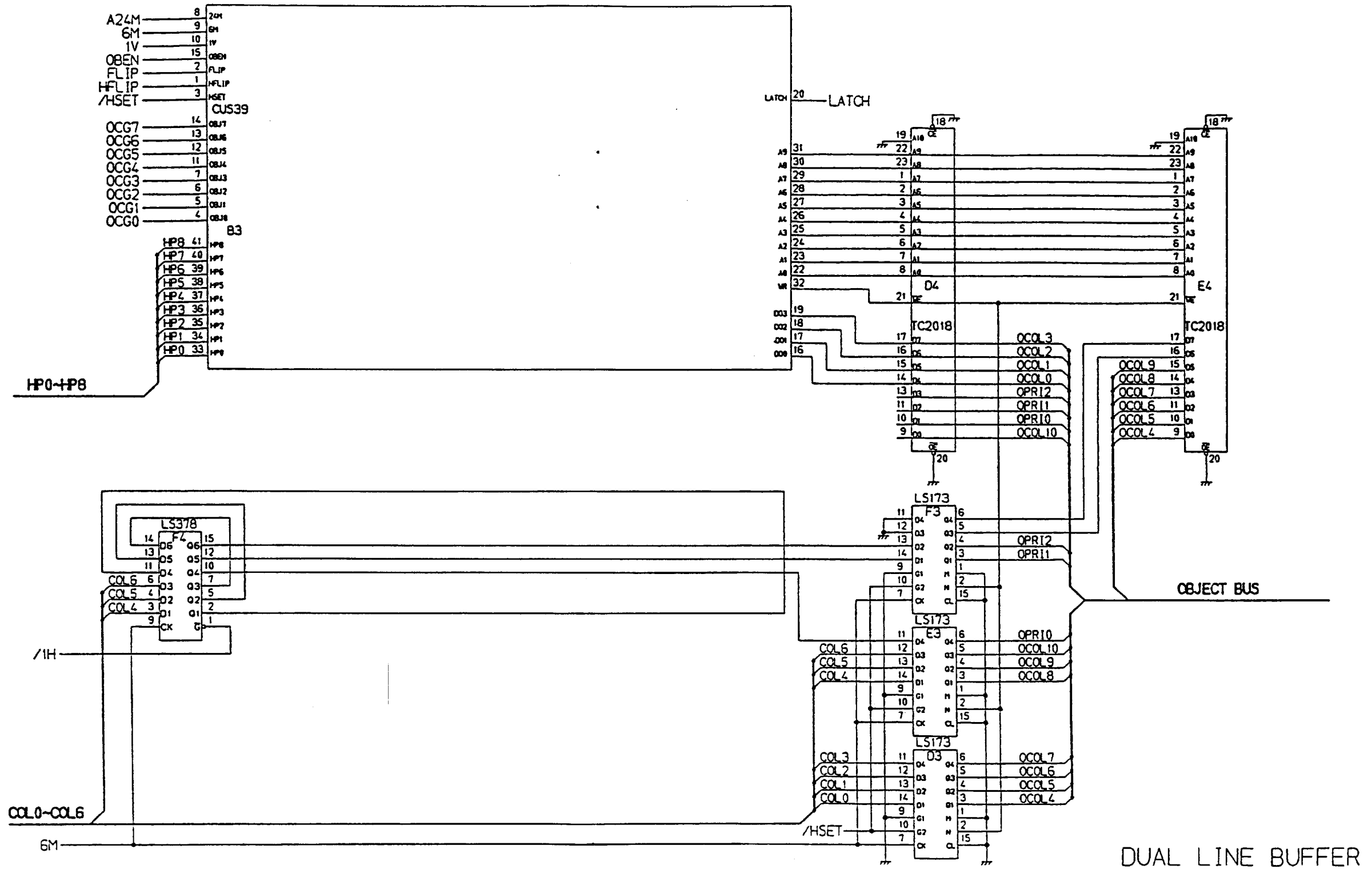


Pac-Mania™ CPU PCB Schematic Diagram—Page 3

© 1987 Atari Games Corporation

SP-315 Sheet 6B 1st printing

99-090286



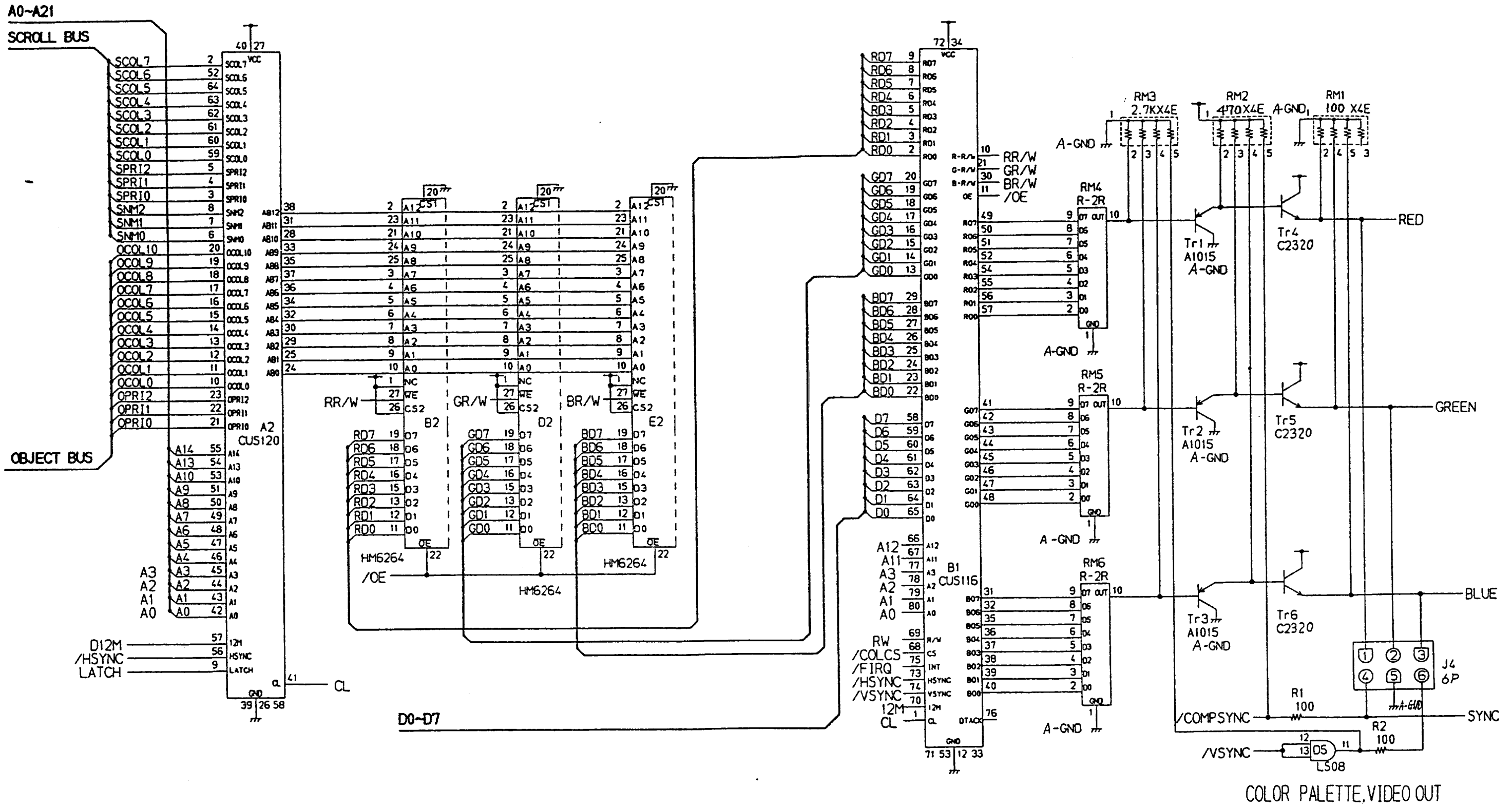
NOTICE TO ALL PERSONS RECEIVING THIS DRAWING
 CONFIDENTIAL: Reproduction forbidden without the specific written permission of Atari Games Corporation, Milpitas, CA. This drawing is only conditionally issued, and neither receipt nor possession thereof confers or transfers any right in, or license to use, the subject matter of the drawing or any design or technical information shown thereon, nor any right to reproduce this drawing or any part thereof. Except for manufacture by vendors of Atari Games Corporation, and for manufacture under the corporation's written license, no right is granted to reproduce this drawing or the subject matter thereof, unless by written agreement with or written permission from the corporation.



Pac-Mania™ CPU PCB Schematic Diagram—Page 4

© 1987 Atari Games Corporation

SP-315 Sheet 7A
1st printing



COLOR PALETTE, VIDEO OUT

NOTICE TO ALL PERSONS RECEIVING THIS DRAWING
 CONFIDENTIAL: Reproduction forbidden without the specific written permission of Atari Games Corporation, Milpitas, CA. This drawing is only conditionally issued, and neither receipt nor possession thereof confers or transfers any right in, or license to use, the subject matter of the drawing or any design or technical information shown thereon, nor any right to reproduce this drawing or any part thereof. Except for manufacture by vendors of Atari Games Corporation, and for manufacture under the corporation's written license, no right is granted to reproduce this drawing or the subject matter thereof, unless by written agreement with or written permission from the corporation.



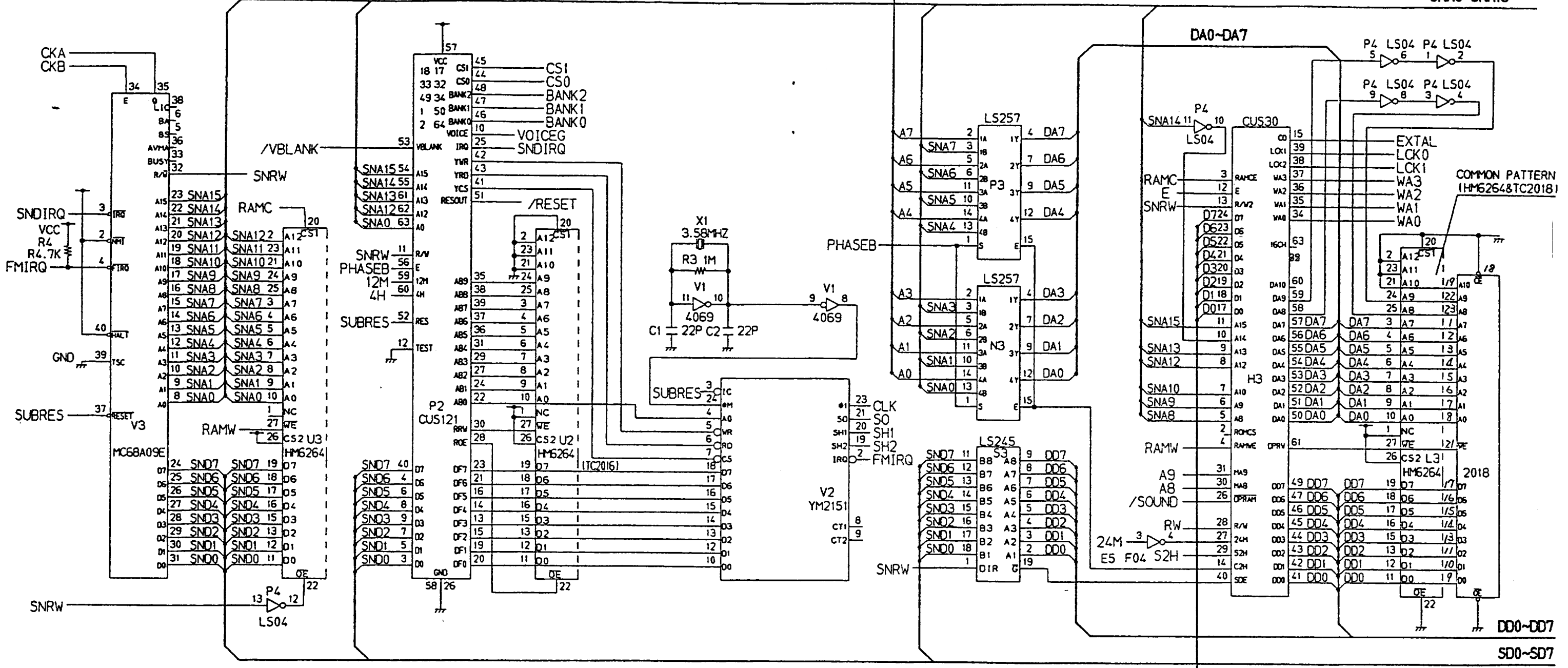
Pac-Mania™ CPU PCB Schematic Diagram—Page 5

© 1987 Atari Games Corporation

SP-315 Sheet 7B
1st printing

A0~A21

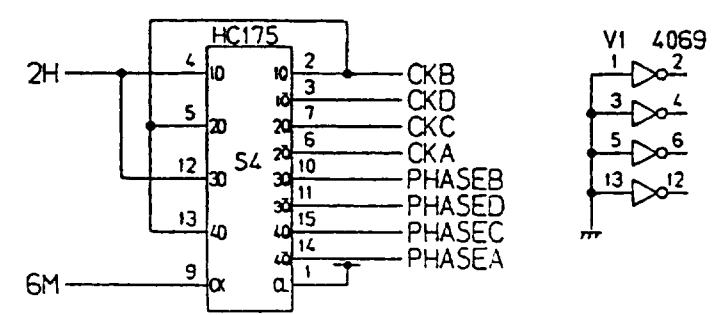
SNA0~SNA15



D0~D7

DD0~DD7

SD0~SD7



SOUND GENERATOR

NOTICE TO ALL PERSONS RECEIVING THIS DRAWING
 CONFIDENTIAL: Reproduction forbidden without the specific written permission of Atari Games Corporation, Milpitas, CA. This drawing is only conditionally issued, and neither receipt nor possession thereof confers or transfers any right in, or license to use, the subject matter of the drawing or any design or technical information shown thereon, nor any right to reproduce this drawing or any part thereof. Except for manufacture by vendors of Atari Games Corporation, and for manufacture under the corporation's written license, no right is granted to reproduce this drawing or the subject matter thereof, unless by written agreement with or written permission from the corporation.

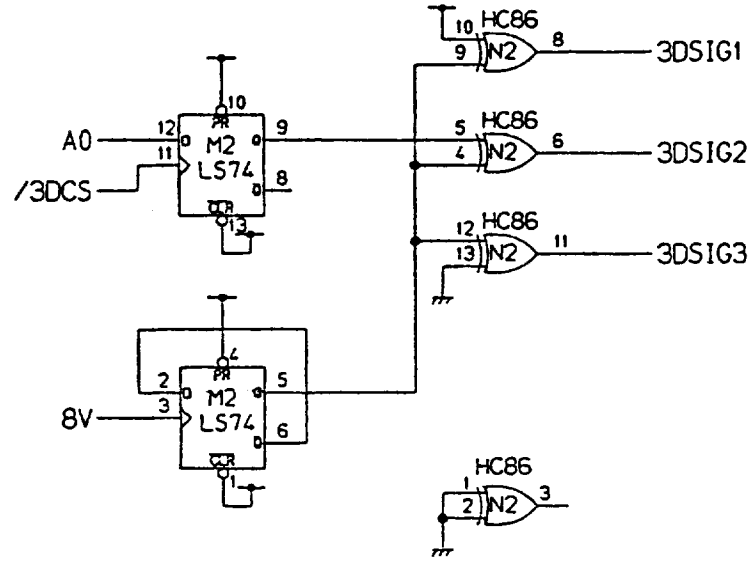
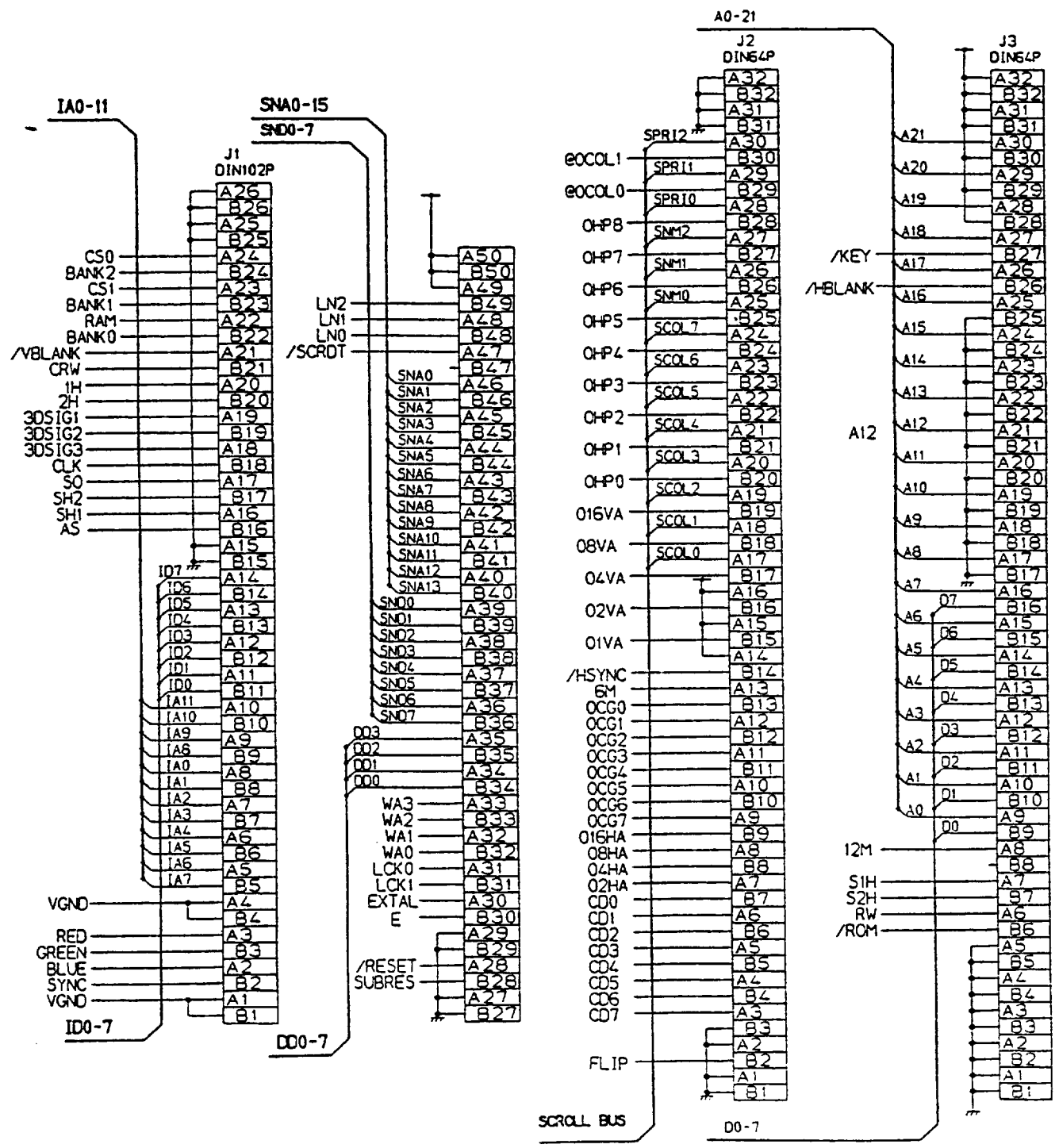


Pac-Mania™ CPU PCB Schematic Diagram—Page 6

© 1987 Atari Games Corporation

SP-315 Sheet 8A
1st printing

99-0901286



DIN CONNECTOR, 3D

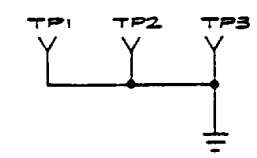
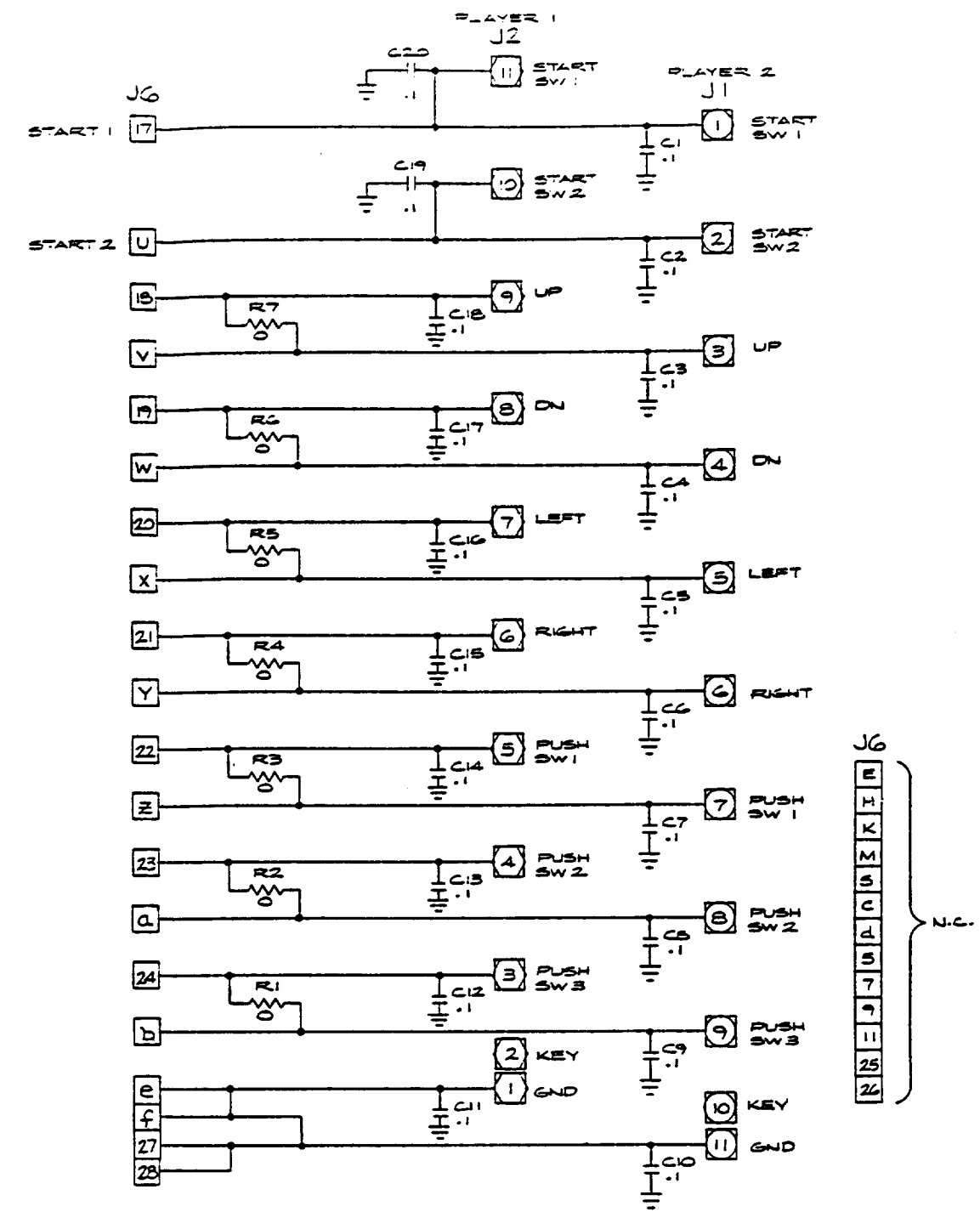
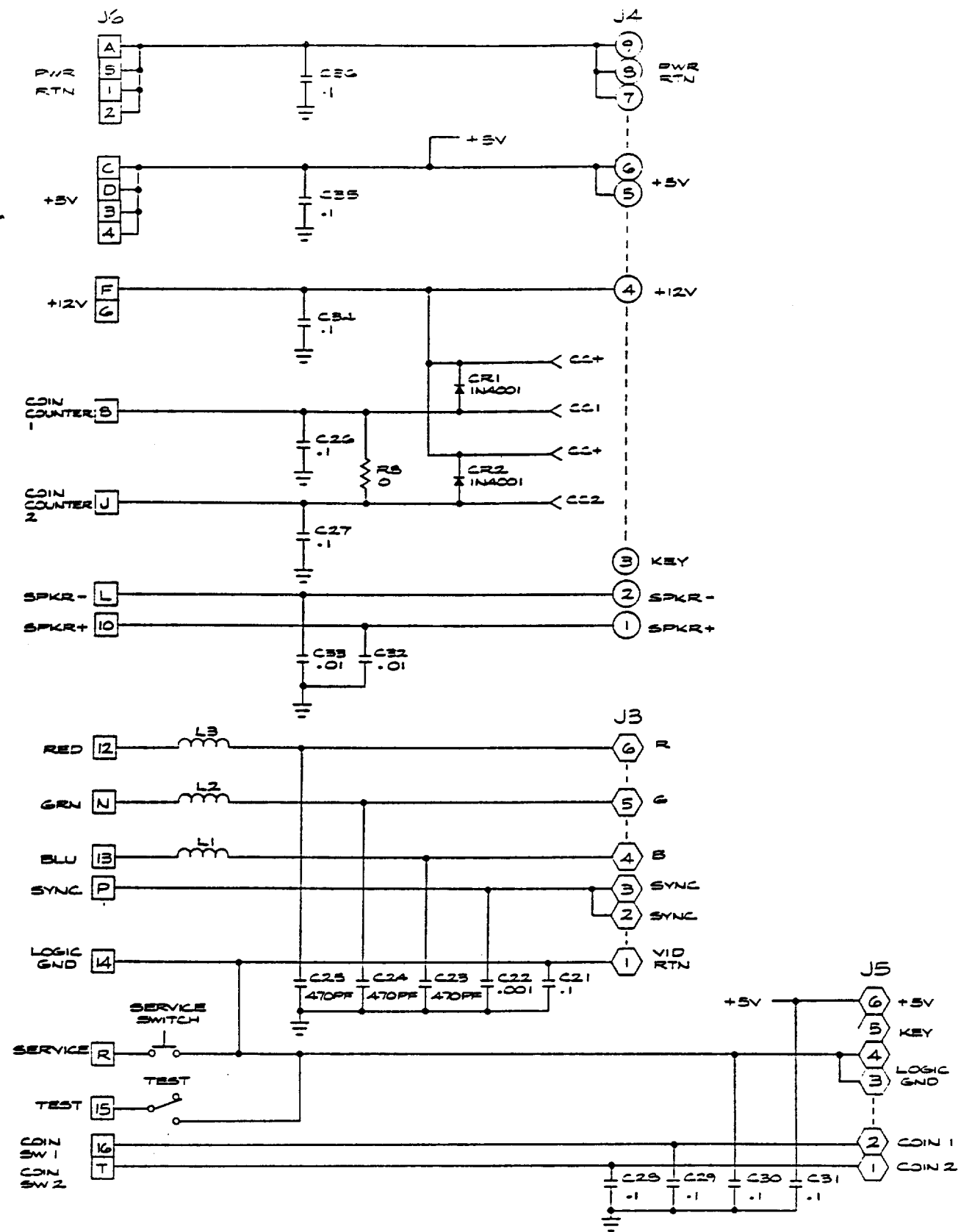
NOTICE TO ALL PERSONS RECEIVING THIS DRAWING
 CONFIDENTIAL: Reproduction forbidden without the specific written permission of Atari Games Corporation, Milpitas, CA. This drawing is only conditionally issued, and neither receipt nor possession thereof confers or transfers any right in, or license to use, the subject matter of the drawing or any design or technical information shown thereon, nor any right to reproduce this drawing or any part thereof. Except for manufacture by vendors of Atari Games Corporation, and for manufacture under the corporation's written license, no right is granted to reproduce this drawing or the subject matter thereof, unless by written agreement with or written permission from the corporation.



**Pac-Mania™ CPU PCB
 Schematic Diagram—Page 8**

© 1987 Atari Games Corporation

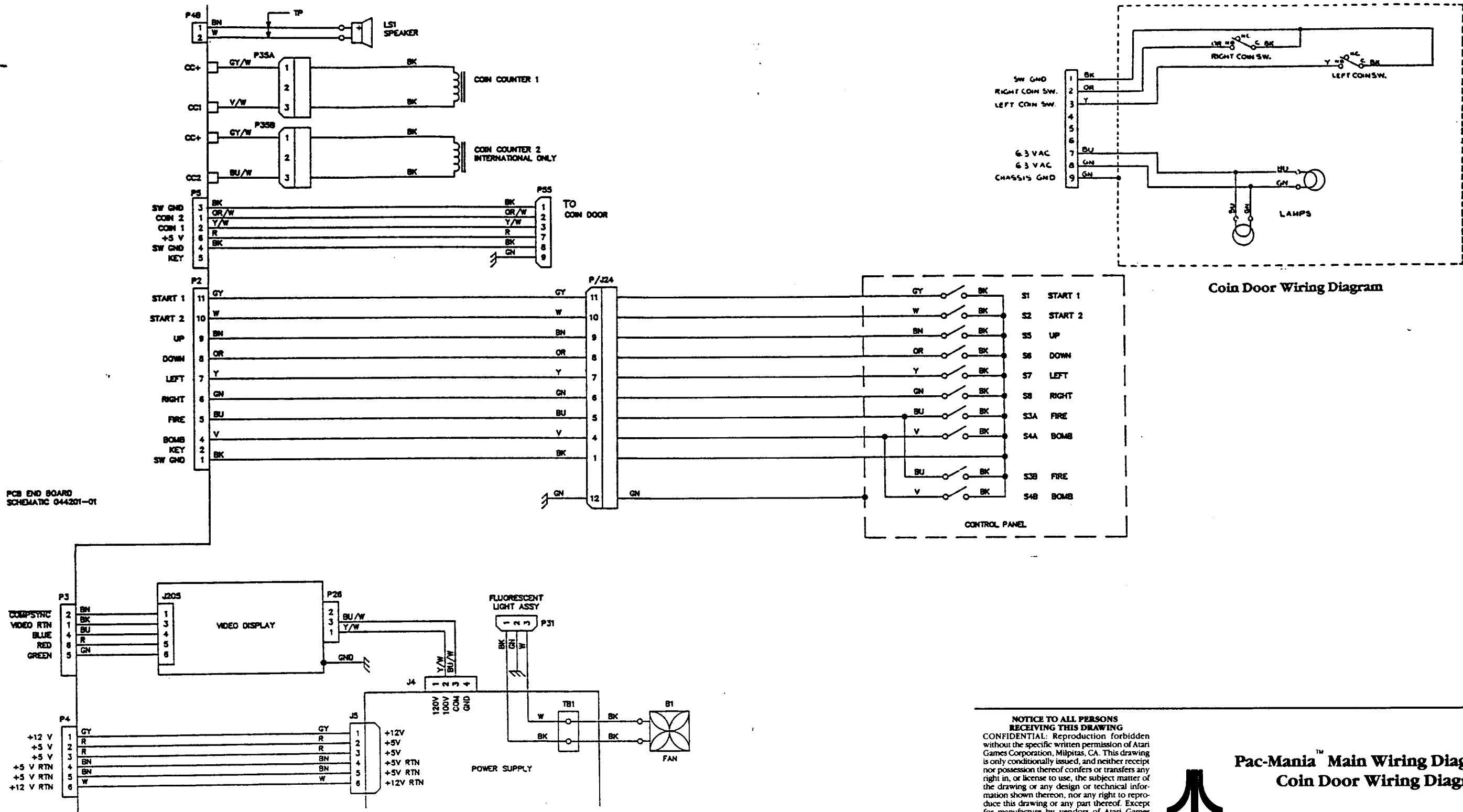
SP-315 Sheet 9A
 1st printing



NOTICE TO ALL PERSONS RECEIVING THIS DRAWING
 CONFIDENTIAL. Reproduction forbidden without the specific written permission of Atari Games Corporation, Milpitas, CA. This drawing is only conditionally issued, and neither receipt nor possession thereof confers or transfers any right in, or license to use, the subject matter of the drawing or any design or technical information shown thereon, nor any right to reproduce this drawing or any part thereof. Except for manufacture by vendors of Atari Games Corporation, and for manufacture under the corporation's written license, no right is granted to reproduce this drawing or the subject matter thereof, unless by written agreement with or written permission from the corporation.



End PCB Assembly Schematic Diagram



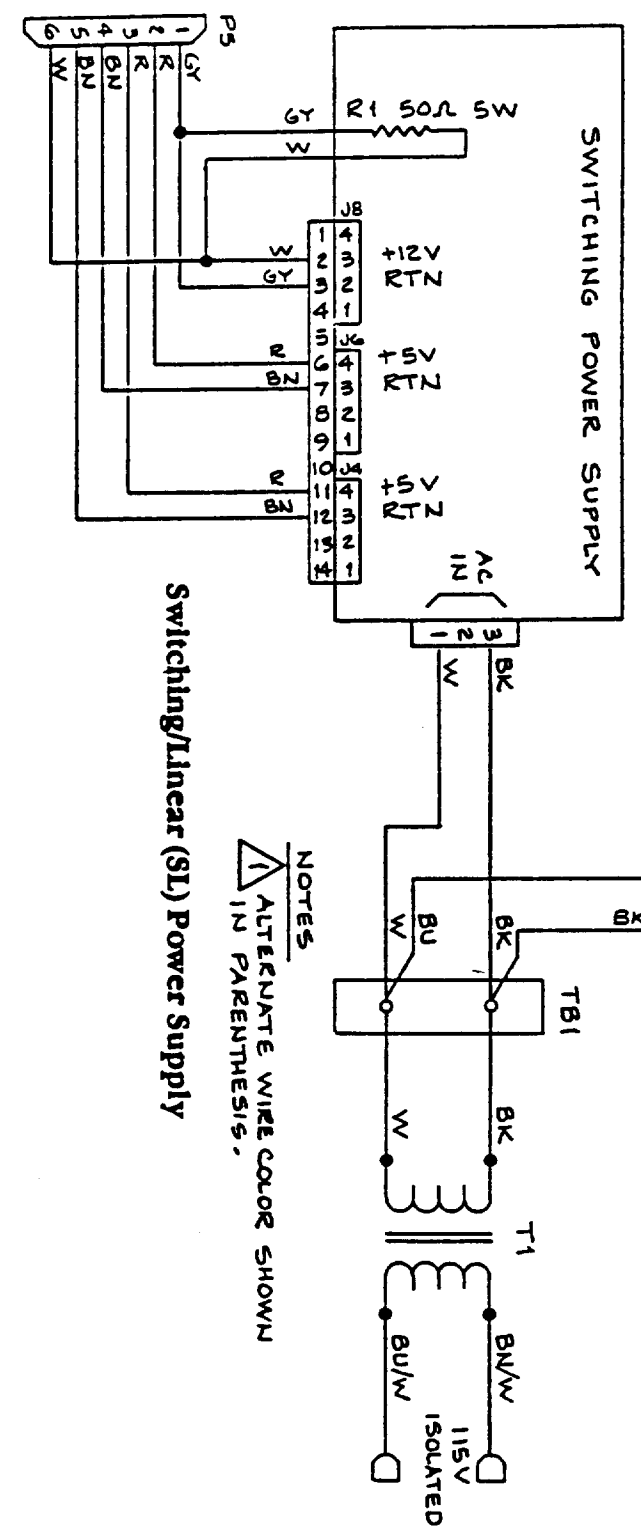
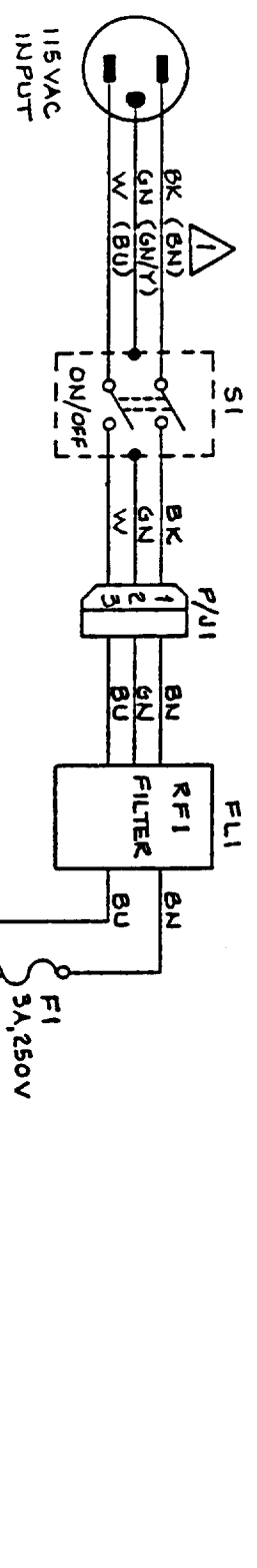
PCB END BOARD
SCHEMATIC 044201-01

Coin Door Wiring Diagram

NOTICE TO ALL PERSONS RECEIVING THIS DRAWING
 CONFIDENTIAL. Reproduction forbidden without the specific written permission of Atari Games Corporation, Milpitas, CA. This drawing is only conditionally issued, and neither receipt nor possession thereof confers or transfers any right in, or license to use, the subject matter of the drawing or any design or technical information shown thereon, nor any right to reproduce this drawing or any part thereof. Except for manufacture by vendors of Atari Games Corporation, and for manufacture under the corporation's written license, no right is granted to reproduce this drawing or the subject matter thereof, unless by written agreement with or written permission from the corporation.



Pac-Mania™ Main Wiring Diagram and Coin Door Wiring Diagram



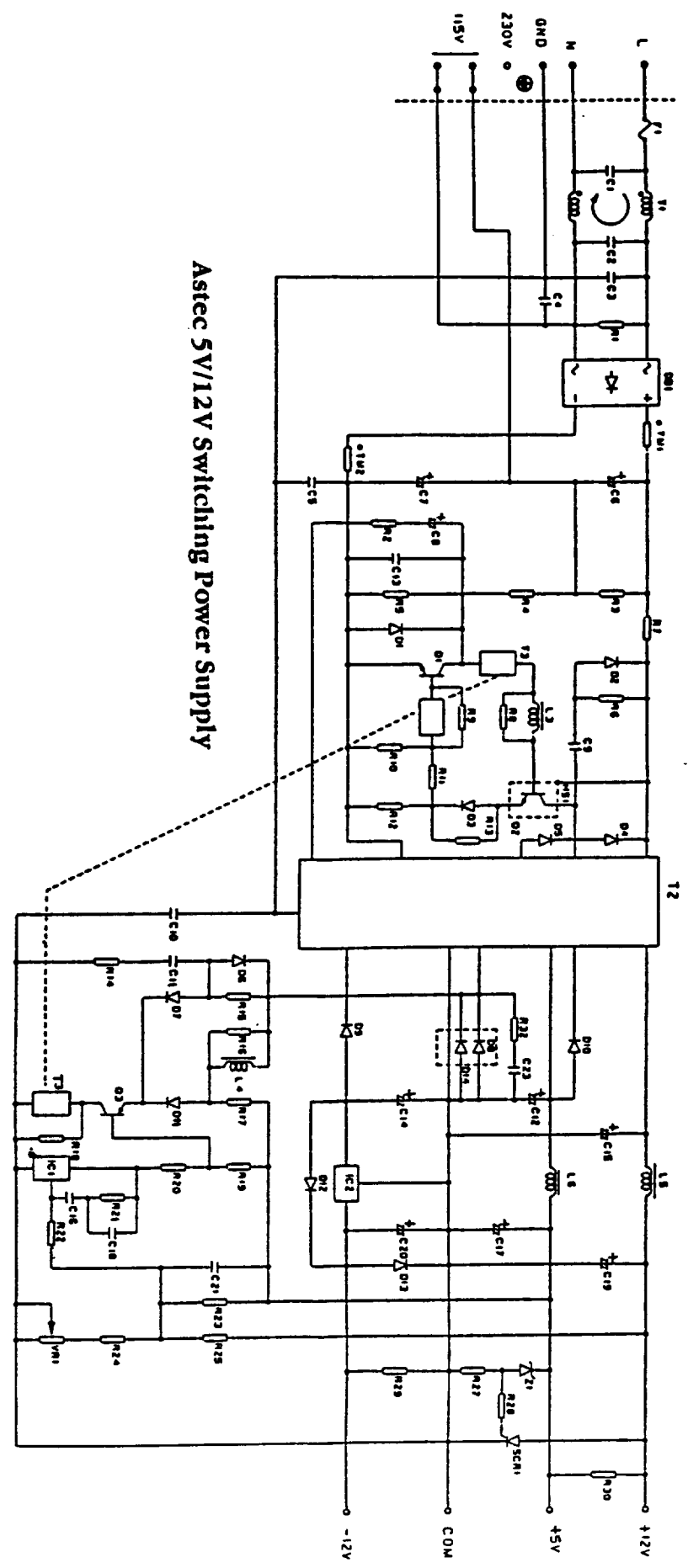
Switching/Linear (SL) Power Supply

NOTES
 ▲ ALTERNATE WIRE COLOR SHOWN
 IN PARENTHESIS.

NOTICE TO ALL PERSONS RECEIVING THIS DRAWING
 CONFIDENTIAL. Reproduction forbidden without the specific written permission of Atari Games Corporation, Milpitas, CA. This drawing is only conditionally issued, and neither receipt nor possession thereof confers or transfers any right in, or license to use, the subject matter of the drawing or any design or technical information shown thereon, nor any right to reproduce this drawing or any part thereof. Except for manufacture by vendors of Atari Games Corporation, and for manufacture under the corporation's written license, no right is granted to reproduce this drawing or the subject matter thereof, unless by written agreement with or written permission from the corporation.



Switching/Linear & Astec 5V/12V Switching Power Supply Wiring Diagrams



Astec 5V/12V Switching Power Supply