

Table of Contents

Blasteroids™ RAM/ROM Error Tables Sheet 1

Blasteroids Game PCB Assembly Schematic Diagram Sheets 1-11

Blasteroids Memory Map Sheet 12

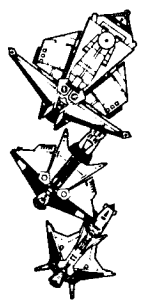
Blasteroids Main Wiring Diagram Sheet 13

Stand-Alone Audio PCB Assembly Schematic Diagram Sheets 14-17

Housequake™ PCB Assembly Schematic Diagram Sheet 18

Wiring Diagrams for Switching/Linear (SL) Power Supply, Hitron 5V
10A Switching Power Supply, and Coin Door Sheet 19

Blasteroids Harness Installation Sheet 20



NOTE
This staple temporarily holds the schematic package together. Remove the staple before using these schematics.

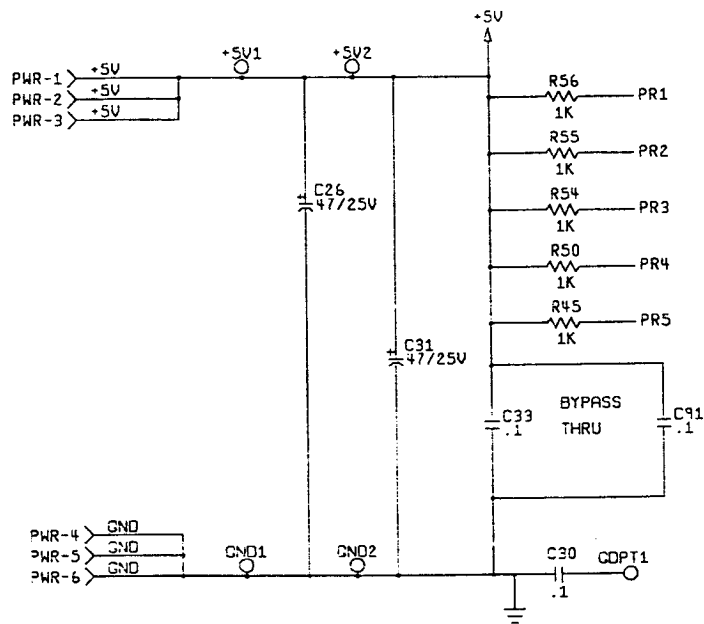


Schematic Package

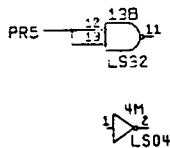
Supplement to the Operators Manual



© 1987 Atari Games Corporation. All rights reserved.



SPARE GATES



NOTES: UNLESS OTHERWISE SPECIFIED

1. RESISTORS ARE 1/8W, 5%.
2. A 231000 ROM MAY BE INTERCHANGED WITH A PAIR OF 27312 EPROMS ON SHEET 6,7, AND 8 :

1L = 1L, 1M
 3L = 3L, 3M
 5M = 5M, 6/7M
 5N = 5N, 6/7N

Table 1 Faulty RAM Locations

Video Characteristic	Location on Game PCB	RAM Type
Red background	67L 5L	Upper Video RAM Lower Video RAM
Black background	15/16C 15/16B	Upper Color RAM Lower Color RAM

Table 2 Faulty Program ROM Locations

Error Address	Location on Game PCB
00000	U = 6C L = 6B
20000	U = 4C L = 4B

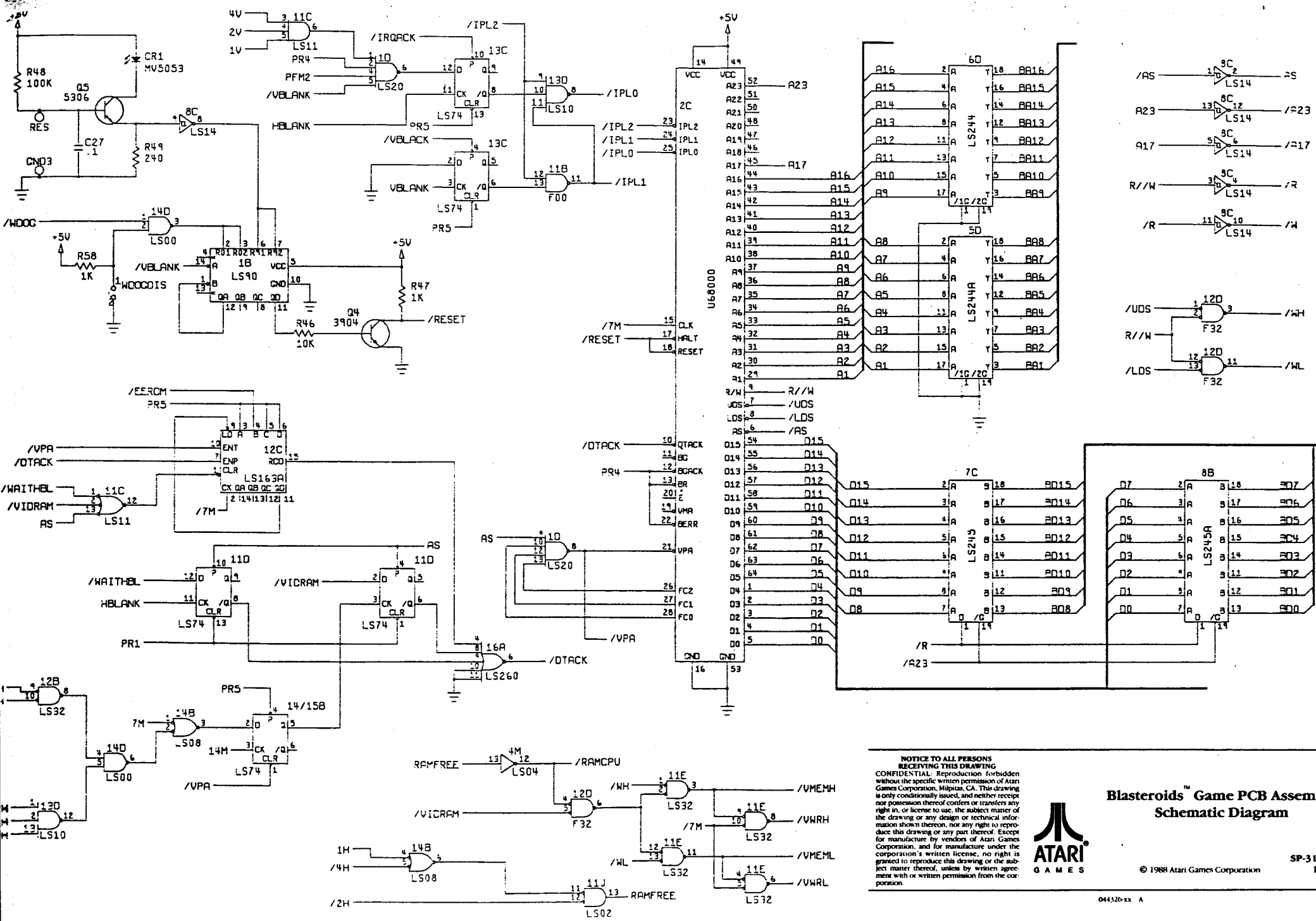
NOTICE TO ALL PERSONS
 RECEIVING THIS DRAWING
 CONFIDENTIAL: Reproduction forbidden
 without the specific written permission of Atari
 Games Corporation, Milpitas, CA. This drawing
 is only conditionally issued, and neither receipt
 nor possession thereof confers or transfers any
 right in, or license to use, the subject matter of
 the drawing or any design or technical infor-
 mation shown thereon, nor any right to repro-
 duce this drawing or any part thereof. Except
 for manufacture by vendors of Atari Games
 Corporation, and for manufacture under the
 corporation's written license, no right is
 granted to reproduce this drawing or the sub-
 ject matter thereof, unless by written agree-
 ment with or written permission from the cor-
 poration.



Blasteroids™ Game PCB Assembly
 Schematic Diagram, RAM/ROM Error

© 1988 Atari Games Corporation

SP-31

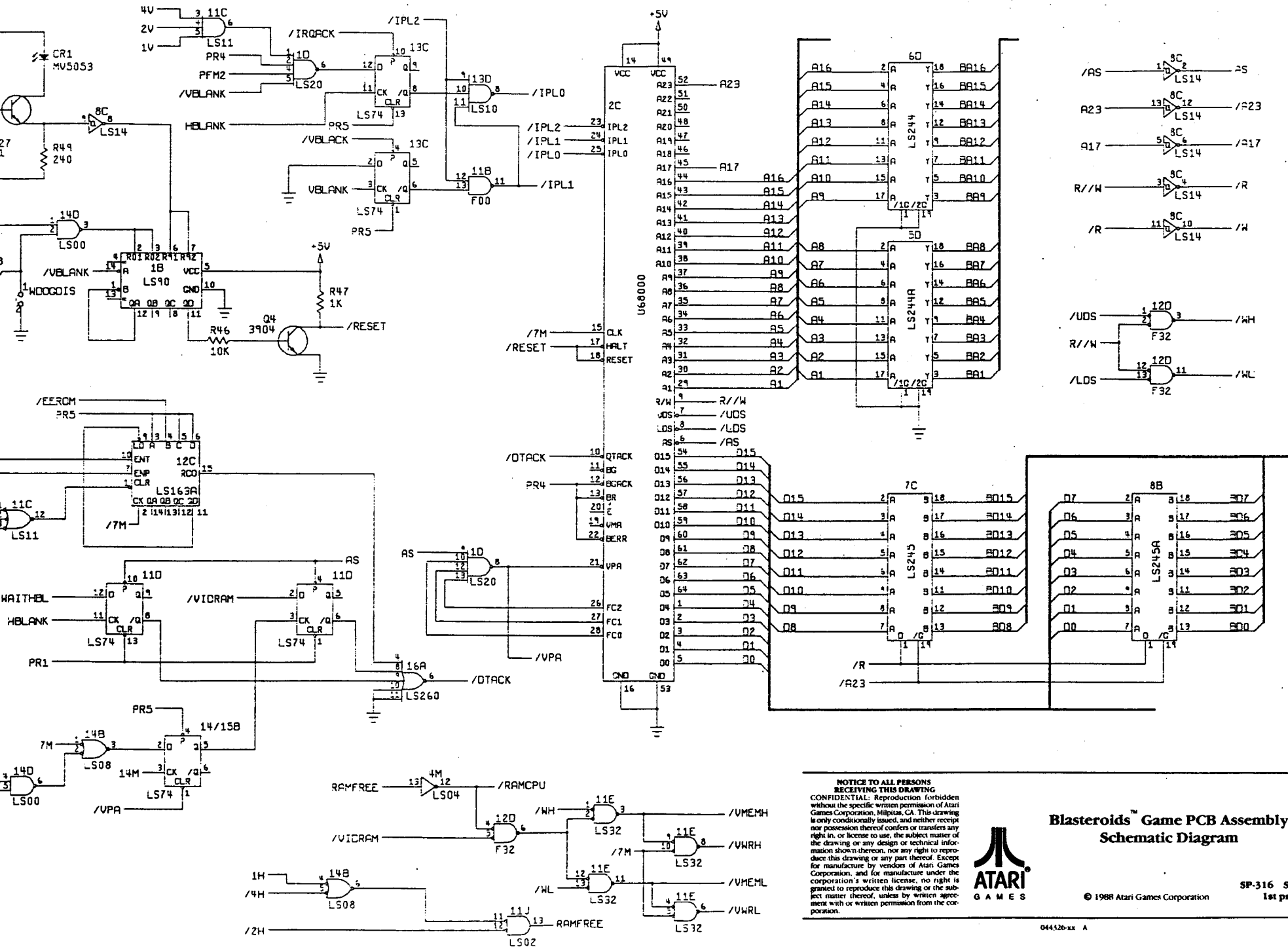


NOTICE TO ALL PERSONS RECEIVING THIS DRAWING
 CONFIDENTIAL. Reproduction forbidden without the specific written permission of Atari Games Corporation, Milpitas, CA. This drawing is only conditionally issued, and neither receipt nor possession thereof confers or transfers any right in, or license to use, the subject matter of the drawing or any design or technical information shown thereon, nor any right to reproduce this drawing or any part thereof. Except for manufacture by vendors of Atari Games Corporation, and for manufacture under the corporation's written license, no right is granted to reproduce this drawing or the subject matter thereof, unless by written agreement with or written permission from the corporation.



Blasteroids™ Game PCB Assembly Schematic Diagram

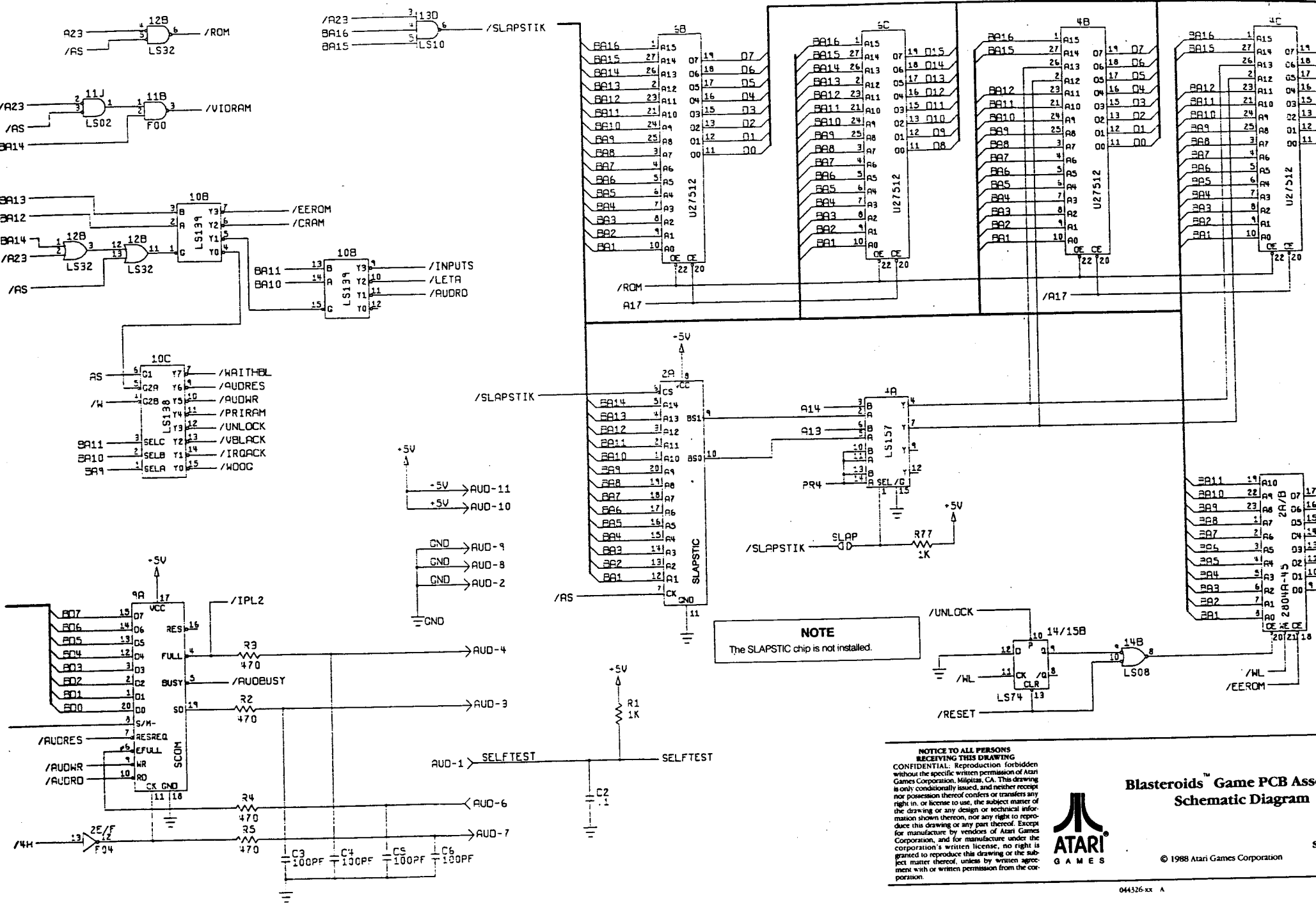
© 1988 Atari Games Corporation



NOTICE TO ALL PERSONS RECEIVING THIS DRAWING
 CONFIDENTIAL: Reproduction forbidden without the specific written permission of Atari Games Corporation, Milpitas, CA. This drawing is only conditionally issued, and neither receipt nor possession thereof confers or transfers any right in, or license to use, the subject matter of the drawing or any design or technical information shown thereon, nor any right to reproduce this drawing or any part thereof. Except for manufacture by vendors of Atari Games Corporation, and for manufacture under the corporation's written license, no right is granted to reproduce this drawing or the subject matter thereof, unless by written agreement with or written permission from the corporation.



Blasteroids™ Game PCB Assembly Schematic Diagram



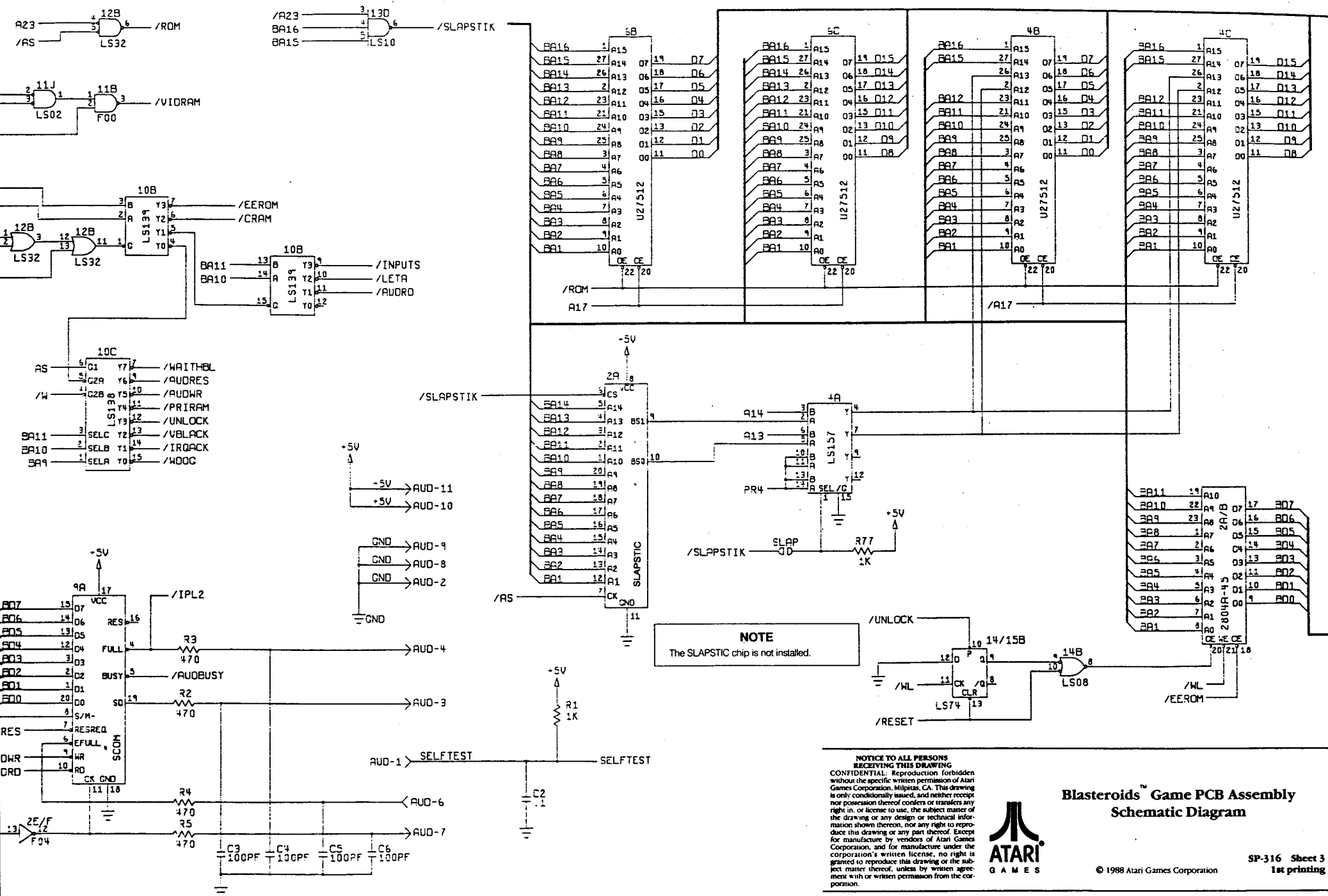
NOTE
The SLAPSTIC chip is not installed.

NOTICE TO ALL PERSONS RECEIVING THIS DRAWING
CONFIDENTIAL: Reproduction forbidden without the specific written permission of Atari Games Corporation, Milpitas, CA. This drawing is only conditionally issued, and neither receipt nor possession thereof confers or transfers any right in, or license to use, the subject matter of the drawing or any design or technical information shown thereon, nor any right to reproduce this drawing or any part thereof. Except for manufacture by vendors of Atari Games Corporation, and for manufacture under the corporation's written license, no right is granted to reproduce this drawing or the subject matter thereof, unless by written agreement with or written permission from the corporation.

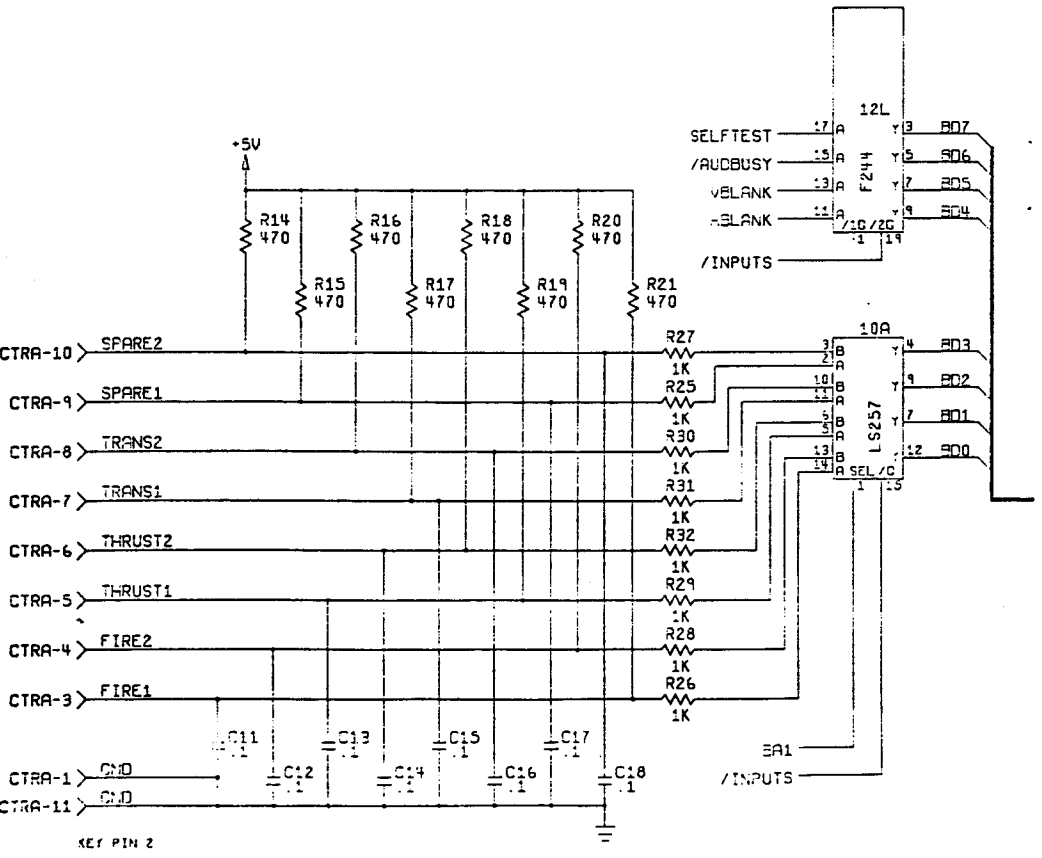
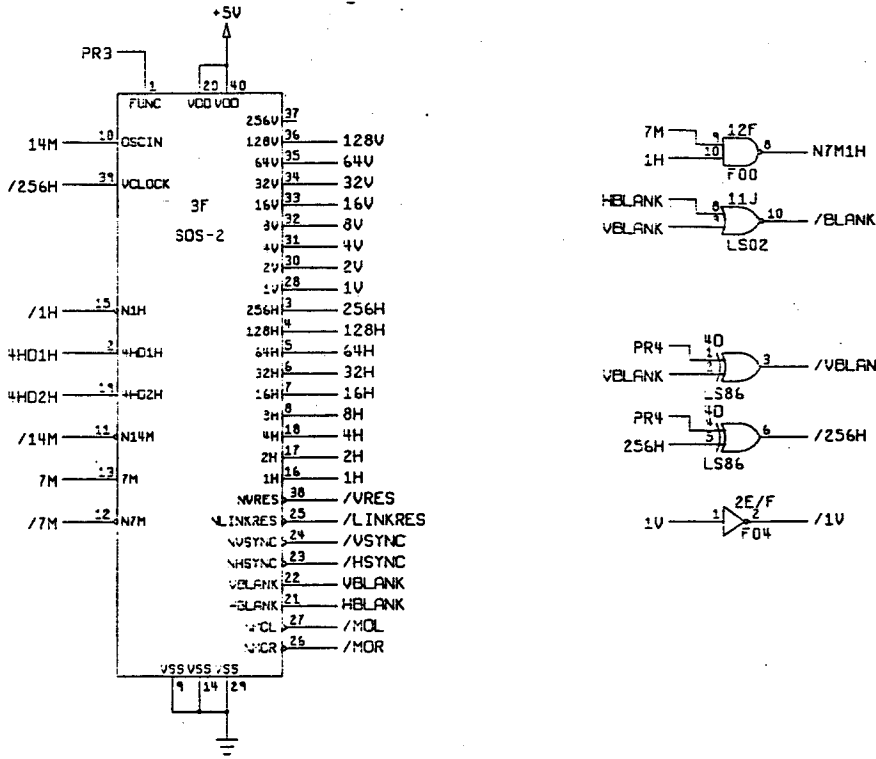
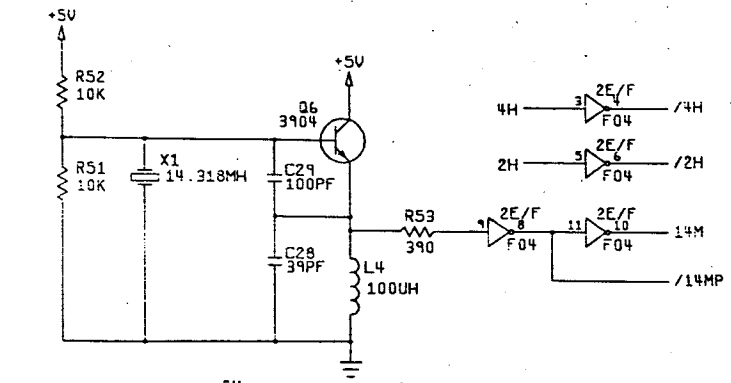
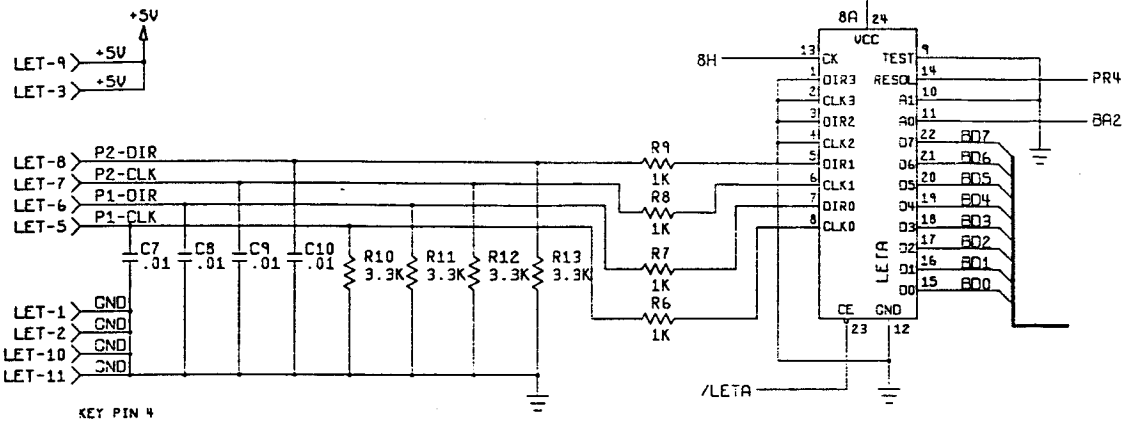


Blasteroids™ Game PCB Assembly Schematic Diagram

© 1988 Atari Games Corporation



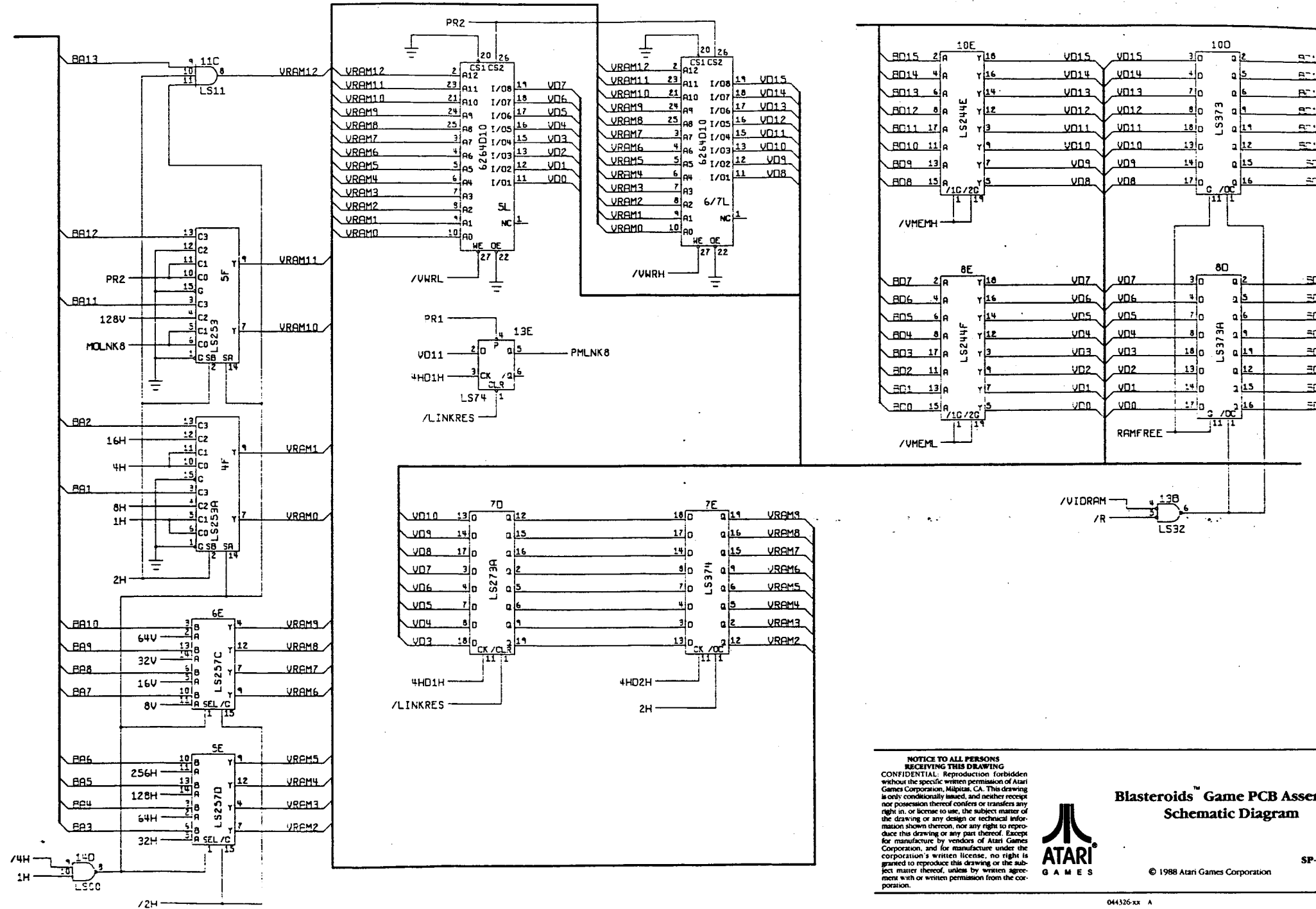
Blasteroids™ Game PCB Assembly Schematic Diagram



NOTICE TO ALL PERSONS RECEIVING THIS DRAWING
CONFIDENTIAL: Reproduction forbidden without the specific written permission of Atari Games Corporation, Milpitas, CA. This drawing is only conditionally issued, and neither receipt nor possession thereof confers or transfers any right in, or license to use, the subject matter of the drawing or any design or technical information shown thereon, nor any right to reproduce this drawing or any part thereof. Except for manufacture by vendors of Atari Games Corporation, and for manufacture under the corporation's written license, no right is granted to reproduce this drawing or the subject matter thereof, unless by written agreement with or written permission from the corporation.



Blasteroids™ Game PCB Assembly Schematic Diagram

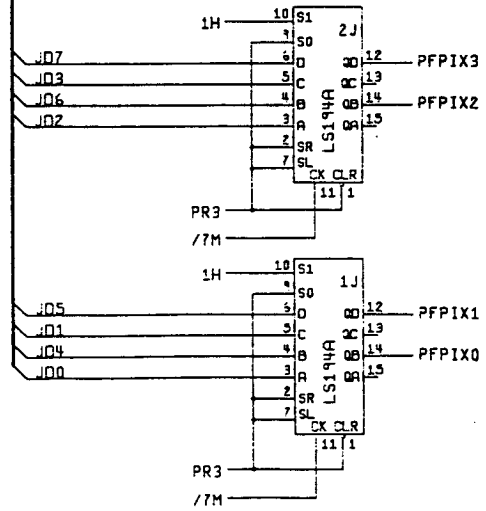
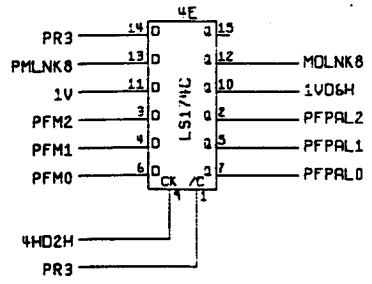
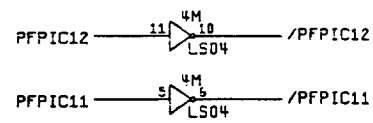
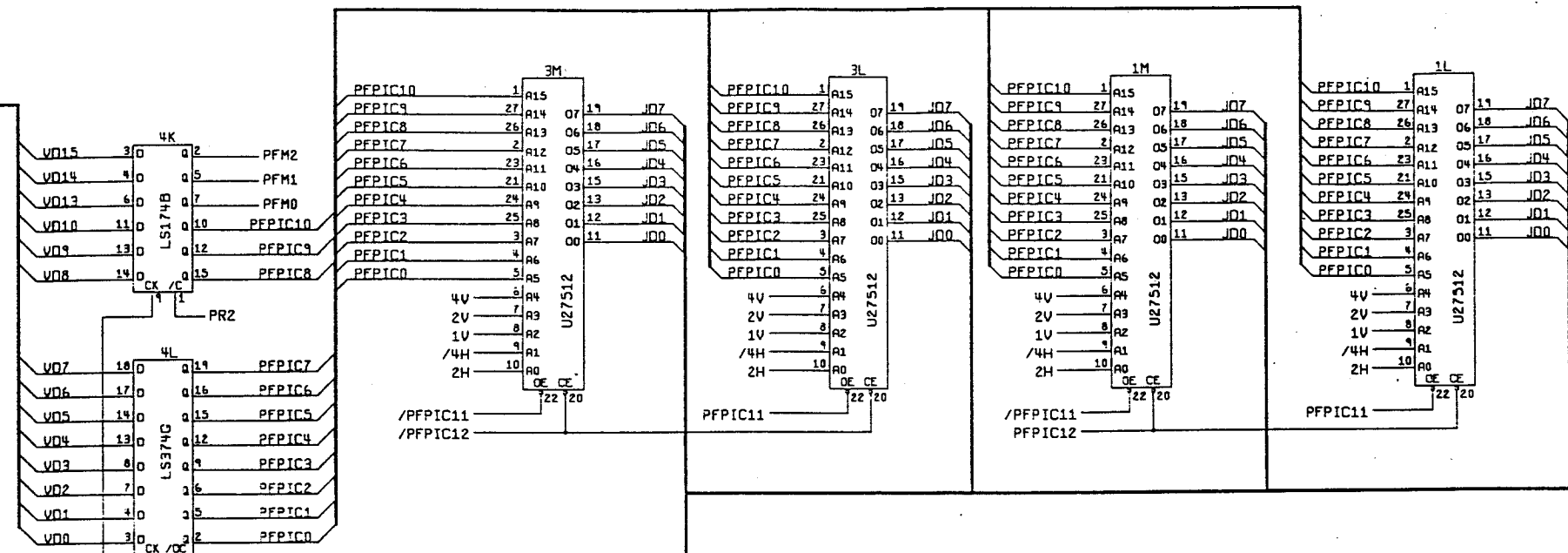


NOTICE TO ALL PERSONS RECEIVING THIS DRAWING
 CONFIDENTIAL. Reproduction forbidden without the specific written permission of Atari Games Corporation, Milpitas, CA. This drawing is only conditionally issued, and neither receipt nor possession thereof confers or transfers any right in, or license to use, the subject matter of the drawing or any design or technical information shown thereon, nor any right to reproduce this drawing or any part thereof. Except for manufacture by vendors of Atari Games Corporation, and for manufacture under the corporation's written license, no right is granted to reproduce this drawing or the subject matter thereof, unless by written agreement with or written permission from the corporation.



Blasteroids™ Game PCB Assembly Schematic Diagram

© 1988 Atari Games Corporation



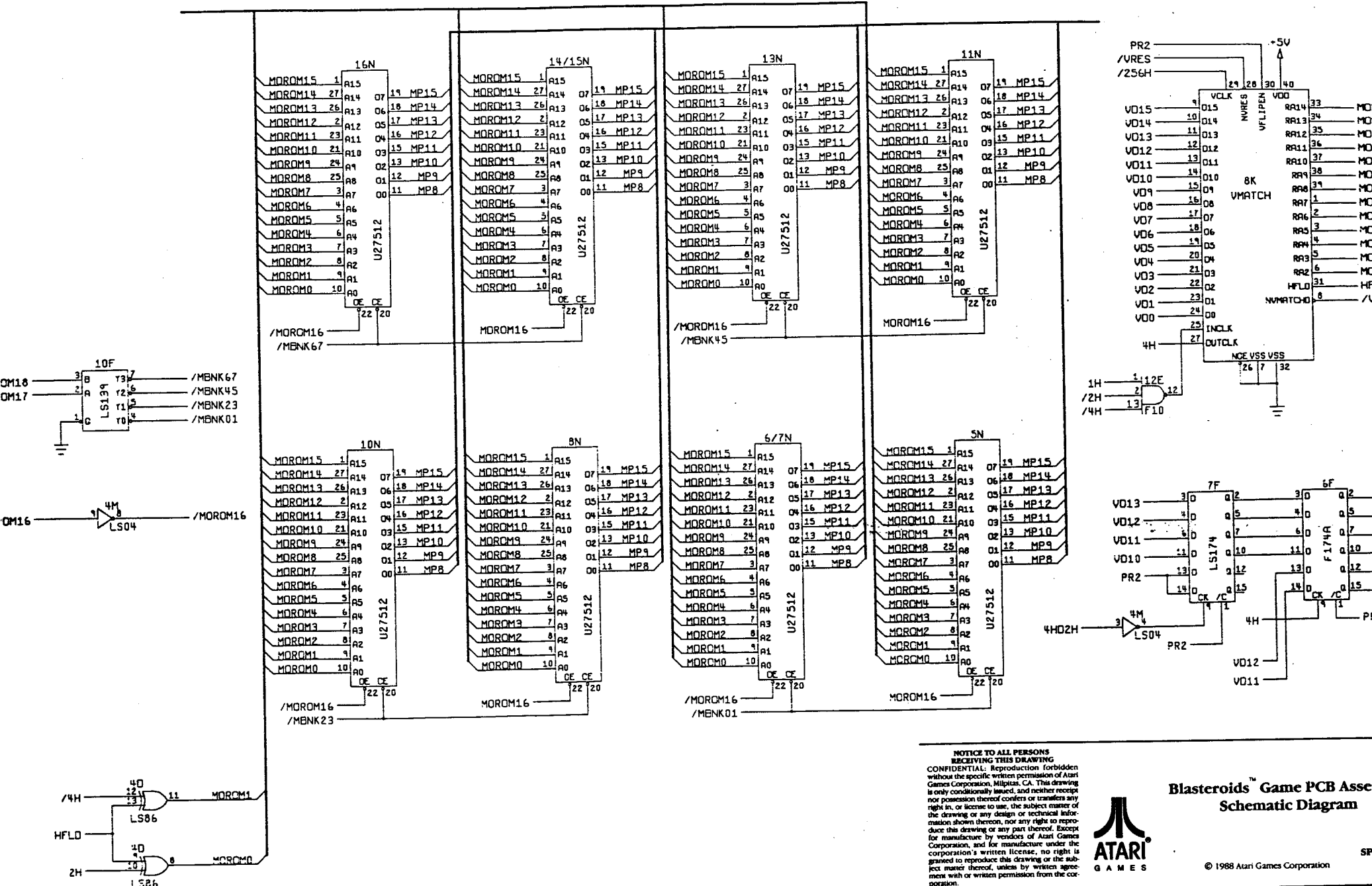
NOTICE TO ALL PERSONS RECEIVING THIS DRAWING
 CONFIDENTIAL: Reproduction forbidden without the specific written permission of Atari Games Corporation, Milpitas, CA. This drawing is only conditionally issued, and neither receipt nor possession thereof confers or transfers any right in, or license to use, the subject matter of the drawing or any design or technical information shown thereon, nor any right to reproduce this drawing or any part thereof. Except for manufacture by vendors of Atari Games Corporation, and for manufacture under the corporation's written license, no right is granted to reproduce this drawing or the subject matter thereof, unless by written agreement with or written permission from the corporation.



Blasteroids™ Game PCB Assembly Schematic Diagram

© 1988 Atari Games Corporation

SP-316 Sh 1st pric

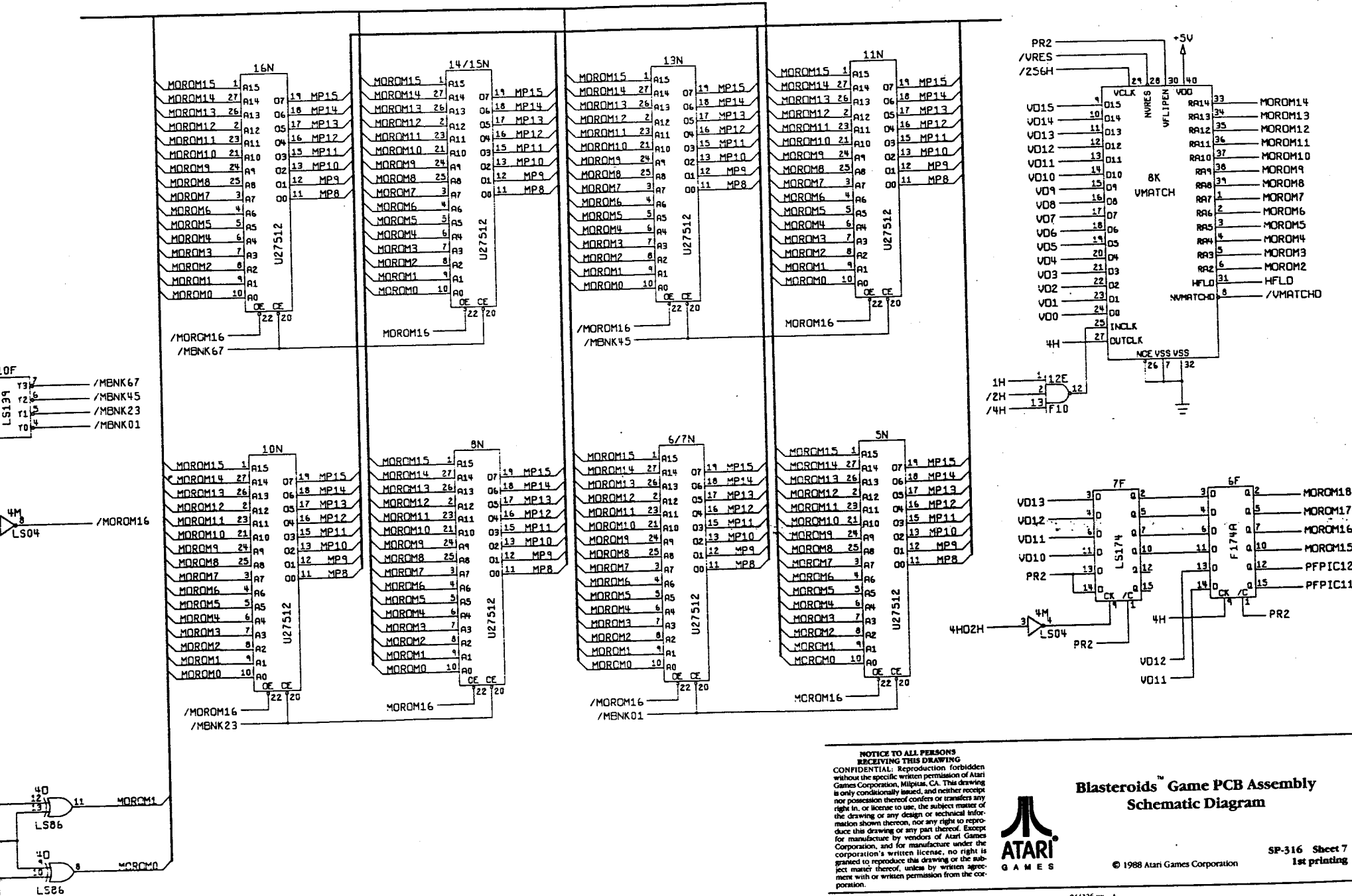


NOTICE TO ALL PERSONS RECEIVING THIS DRAWING
 CONFIDENTIAL: Reproduction forbidden without the specific written permission of Atari Games Corporation, Milpitas, CA. This drawing is only conditionally issued, and neither receipt nor possession thereof confers or transfers any right in, or license to use, the subject matter of the drawing or any design or technical information shown thereon, nor any right to reproduce this drawing or any part thereof. Except for manufacture by vendors of Atari Games Corporation, and for manufacture under the corporation's written license, no right is granted to reproduce this drawing or the subject matter thereof, unless by written agreement with or written permission from the corporation.



Blasteroids™ Game PCB Assembly Schematic Diagram

© 1988 Atari Games Corporation

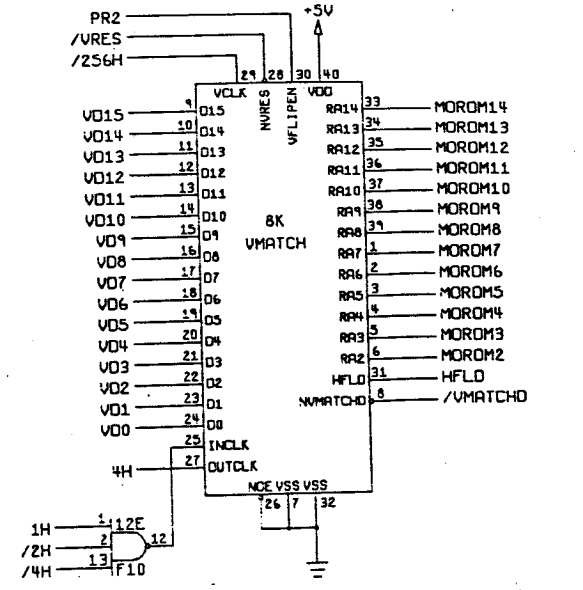


NOTICE TO ALL PERSONS RECEIVING THIS DRAWING
 CONFIDENTIAL: Reproduction forbidden without the specific written permission of Atari Games Corporation, Milpitas, CA. This drawing is only conditionally loaned, and neither receipt nor possession thereof confers or transfers any right in, or license to use, the subject matter of the drawing or any design or technical information shown thereon, nor any right to reproduce this drawing or any part thereof. Except for manufacture by vendors of Atari Games Corporation, and for manufacture under the corporation's written license, no right is granted to reproduce this drawing or the subject matter thereof, unless by written agreement with or written permission from the corporation.

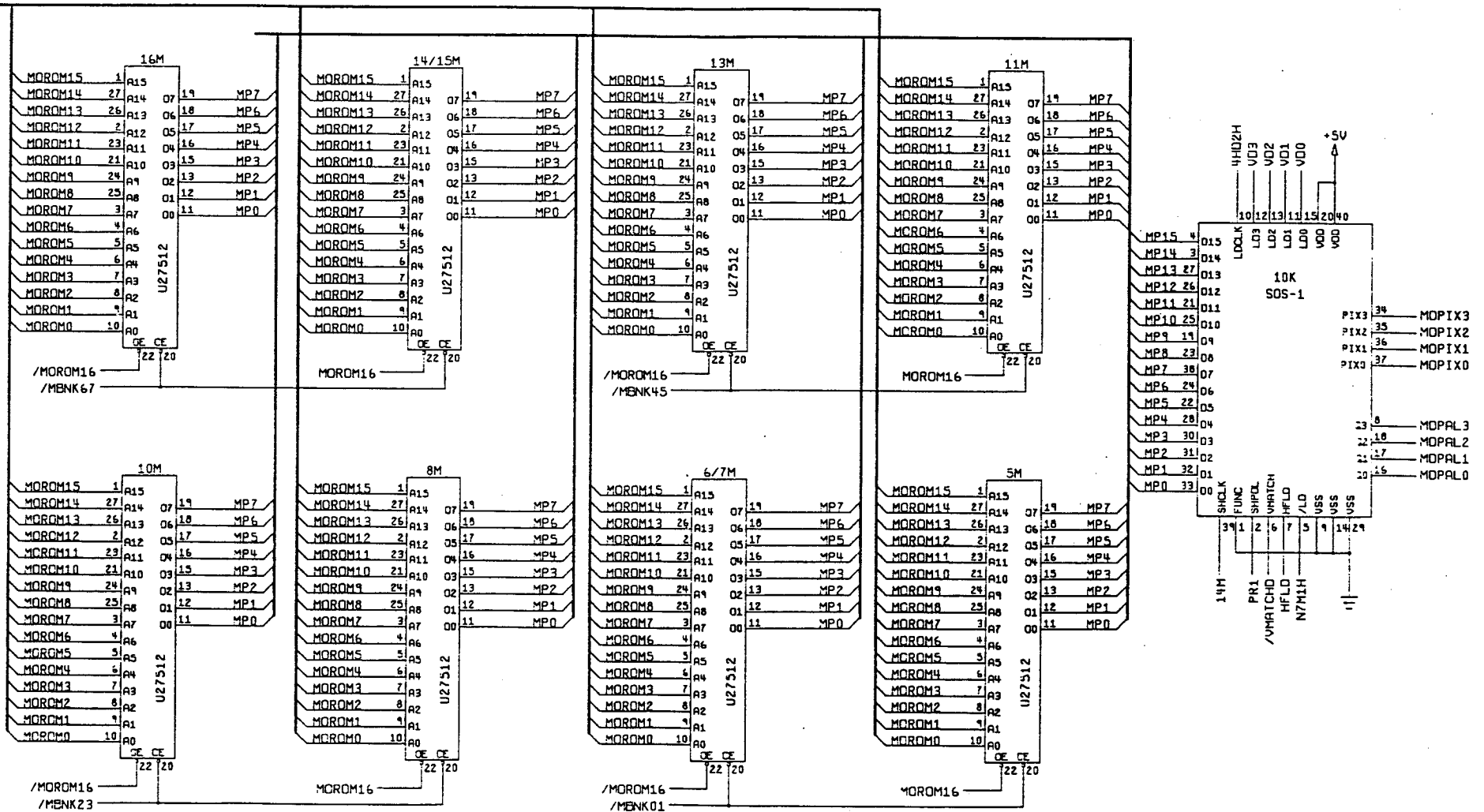
Blasteroids™ Game PCB Assembly Schematic Diagram



© 1988 Atari Games Corporation



044526-xx A



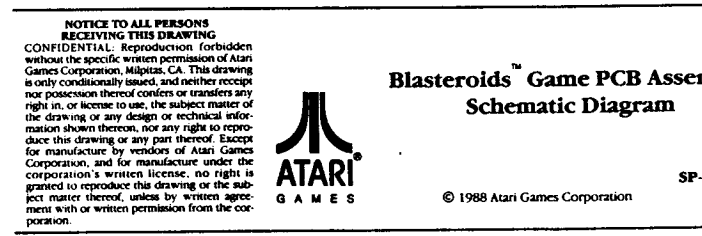
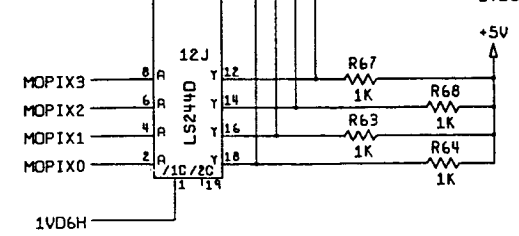
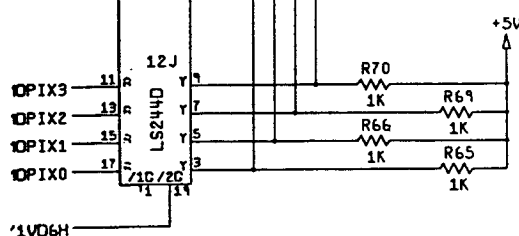
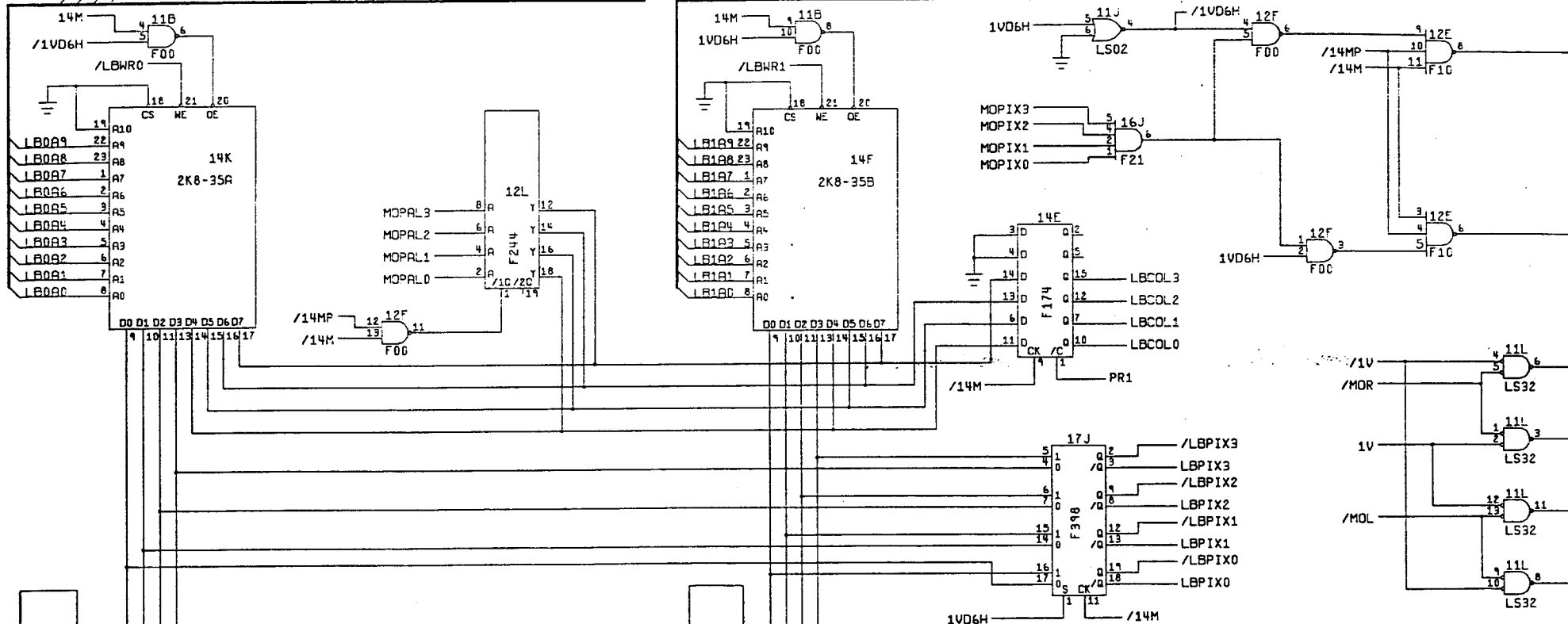
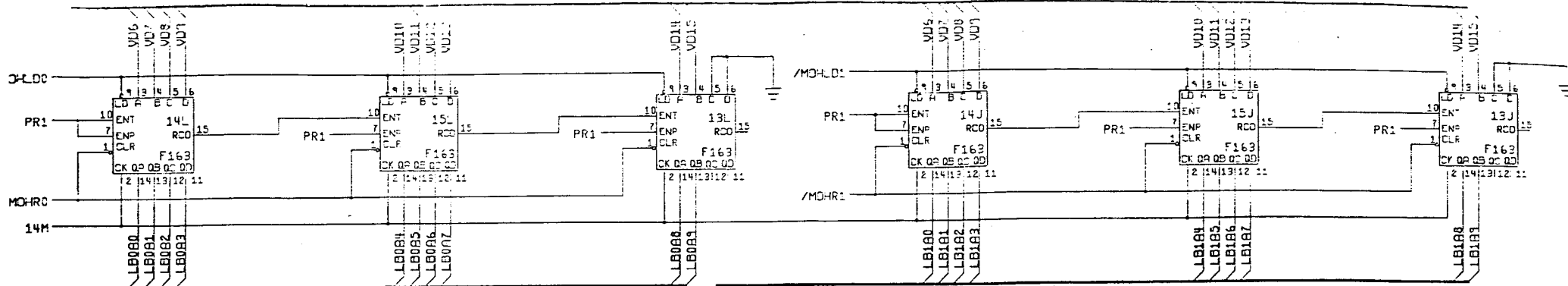
NOTICE TO ALL PERSONS RECEIVING THIS DRAWING
 CONFIDENTIAL: Reproduction forbidden without the specific written permission of Atari Games Corporation, Milpitas, CA. This drawing is only conditionally issued, and neither receipt nor possession thereof confers or transfers any right in, or license to use, the subject matter of the drawing or any design or technical information shown thereon, nor any right to reproduce this drawing or any part thereof. Except for manufacture by vendors of Atari Games Corporation, and for manufacture under the corporation's written license, no right is granted to reproduce this drawing or the subject matter thereof, unless by written agreement with or written permission from the corporation.



Blasteroids™ Game PCB Assembly Schematic Diagram

© 1988 Atari Games Corporation

SP-316 Sheet 1st print

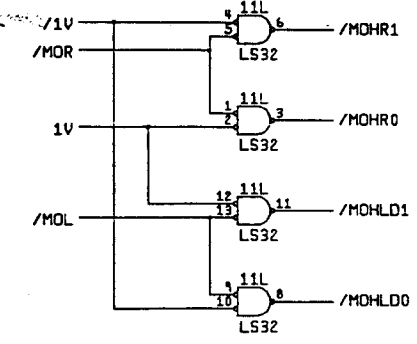
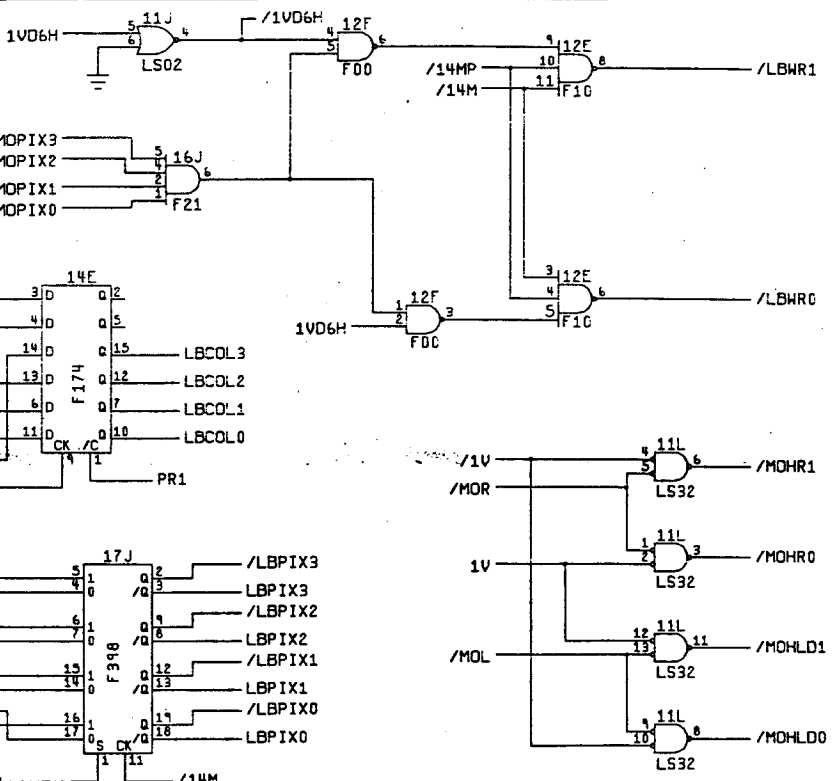
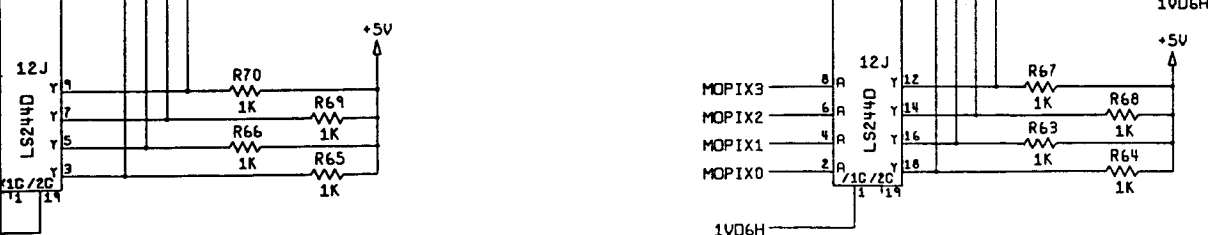
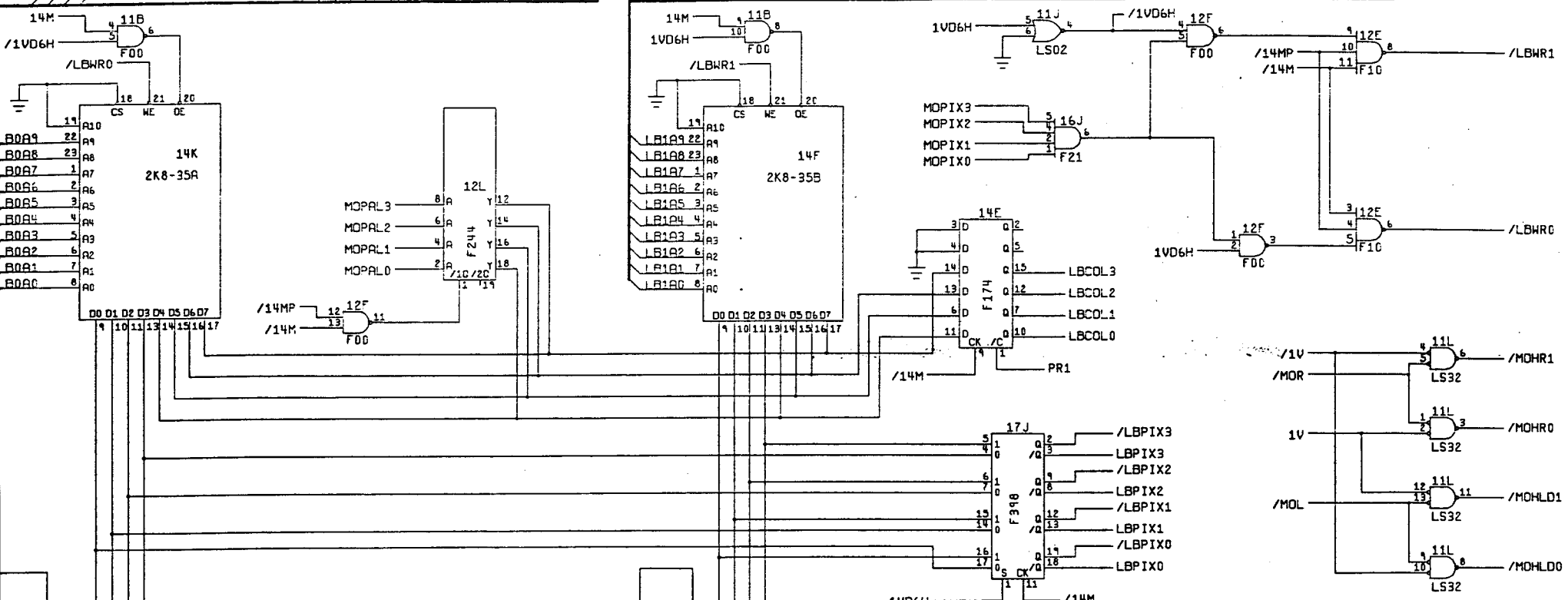
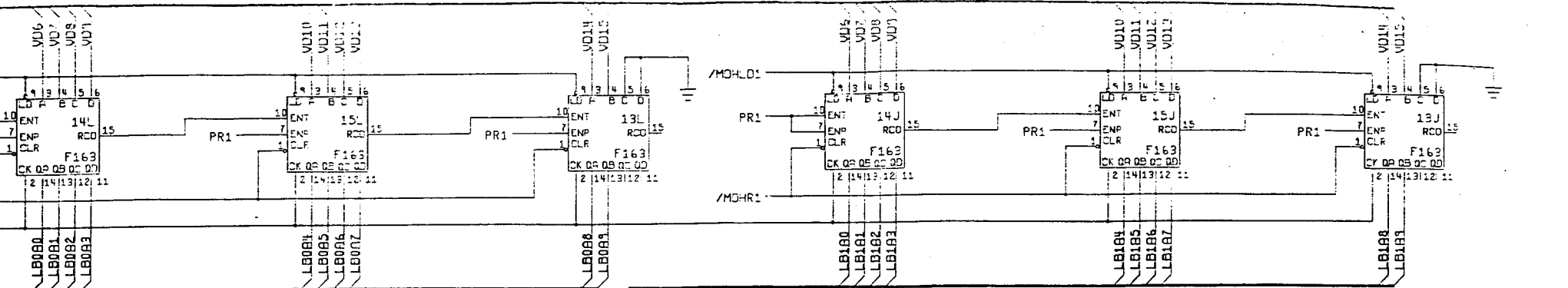


NOTICE TO ALL PERSONS RECEIVING THIS DRAWING
 CONFIDENTIAL: Reproduction (forbidden without the specific written permission of Atari Games Corporation, Milpitas, CA. This drawing is only conditionally issued, and neither receipt nor possession thereof confers or transfers any right in, or license to use, the subject matter of the drawing or any design or technical information shown thereon, nor any right to reproduce this drawing or any part thereof. Except for manufacture by vendors of Atari Games Corporation, and for manufacture under the corporation's written license, no right is granted to reproduce this drawing or the subject matter thereof, unless by written agreement with or written permission from the corporation.



Blasteroids™ Game PCB Assembly Schematic Diagram

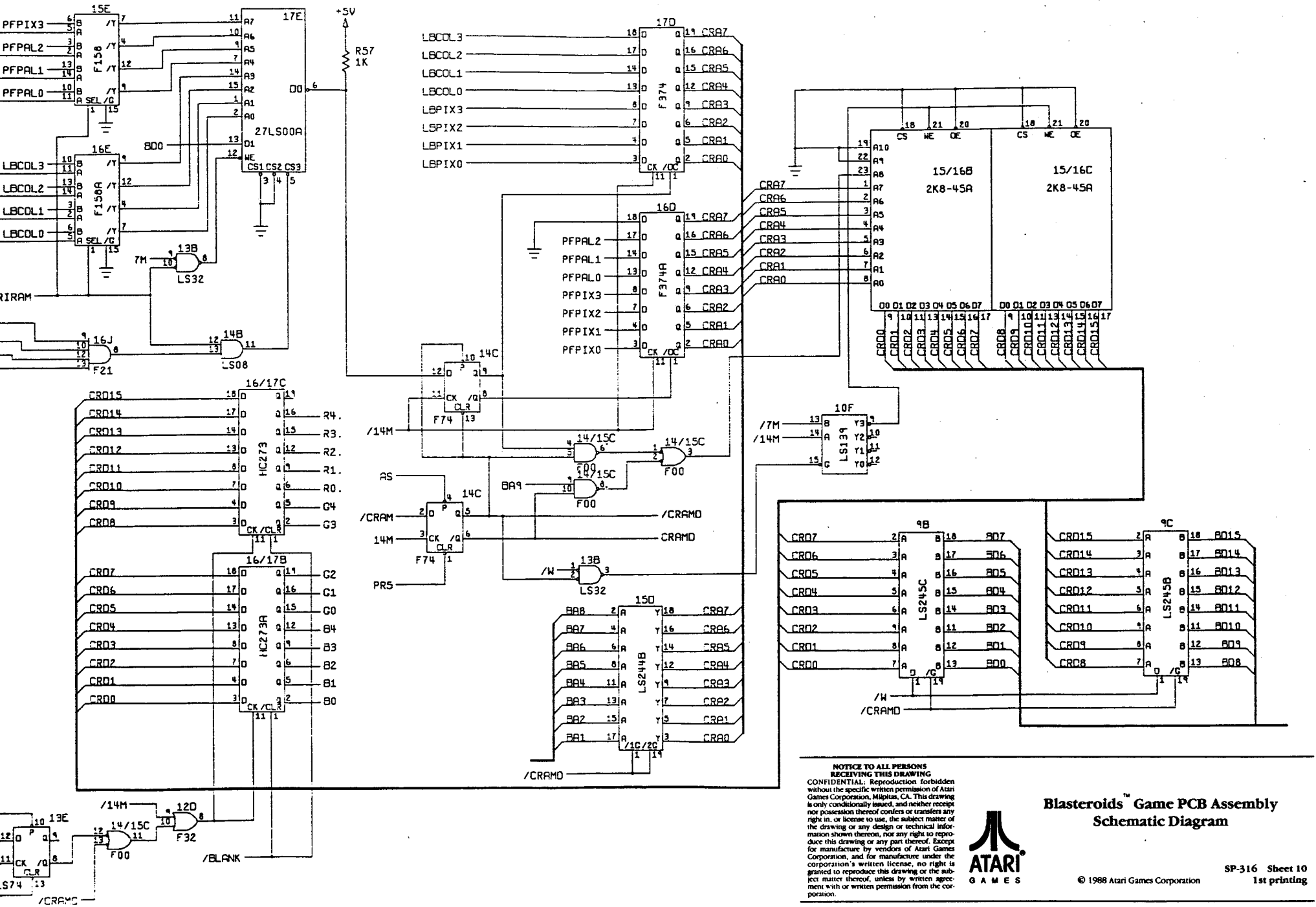
© 1988 Atari Games Corporation



NOTICE TO ALL PERSONS RECEIVING THIS DRAWING
 CONFIDENTIAL: Reproduction forbidden without the specific written permission of Atari Games Corporation, Milpitas, CA. This drawing is only conditionally issued, and neither receipt nor possession thereof confers or transfers any right in, or license to use, the subject matter of the drawing or any design or technical information shown thereon, nor any right to reproduce this drawing or any part thereof. Except for manufacture by vendors of Atari Games Corporation, and for manufacture under the corporation's written license, no right is granted to reproduce this drawing or the subject matter thereof, unless by written agreement with or written permission from the corporation.



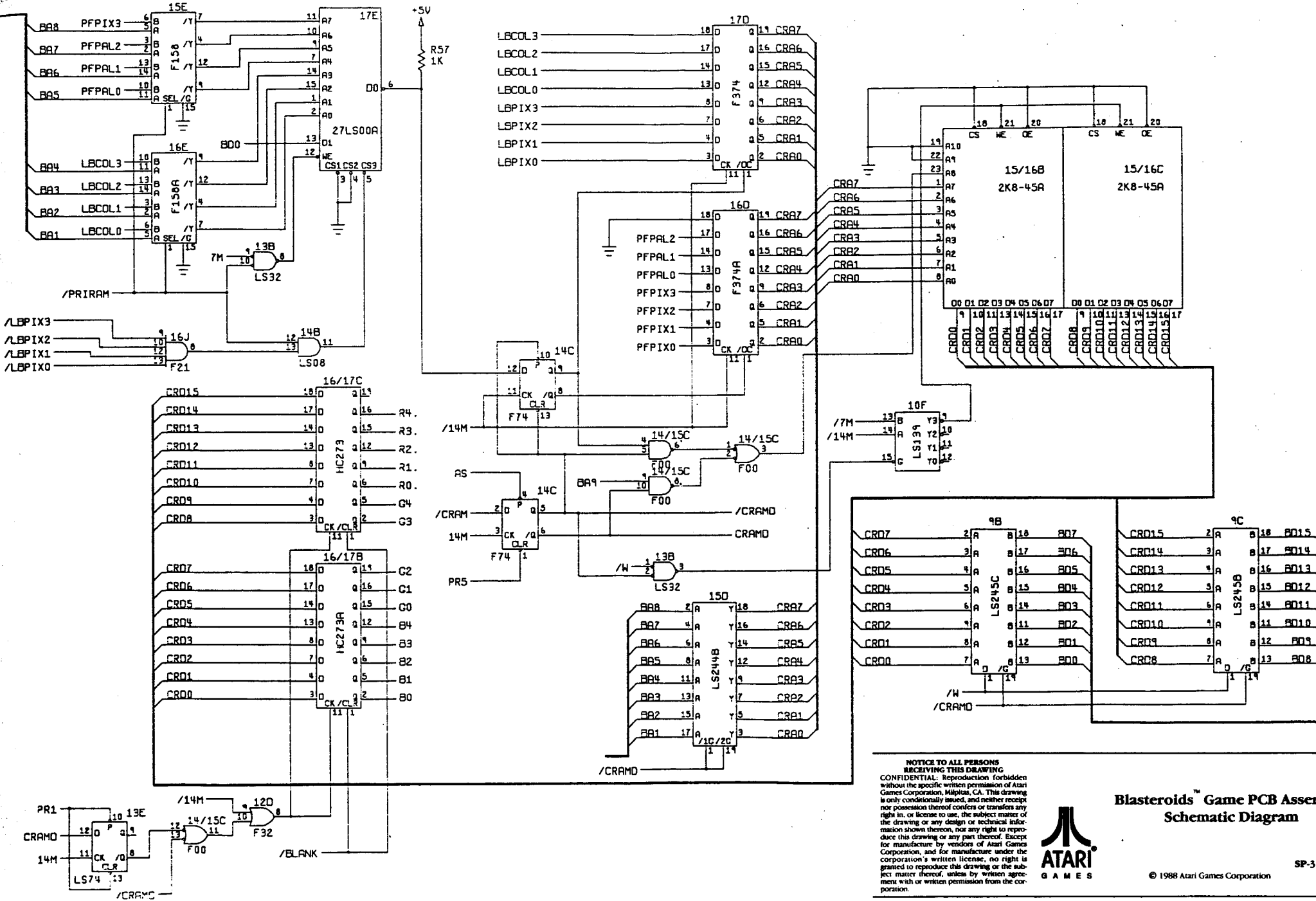
Blasteroids™ Game PCB Assembly Schematic Diagram

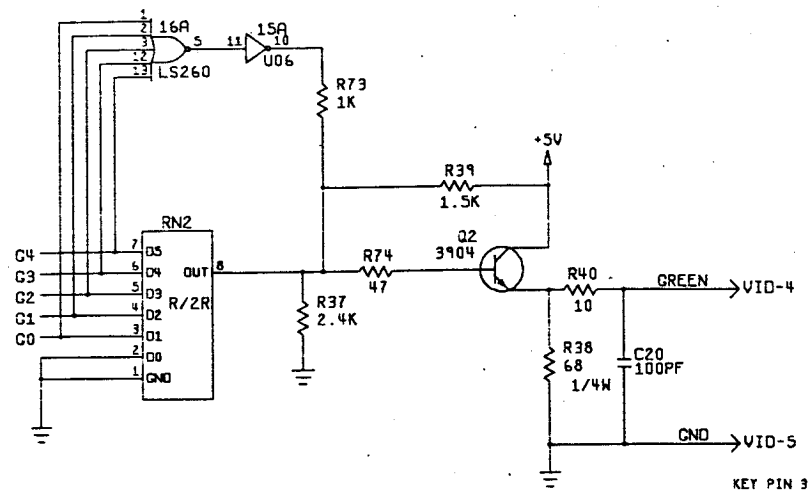
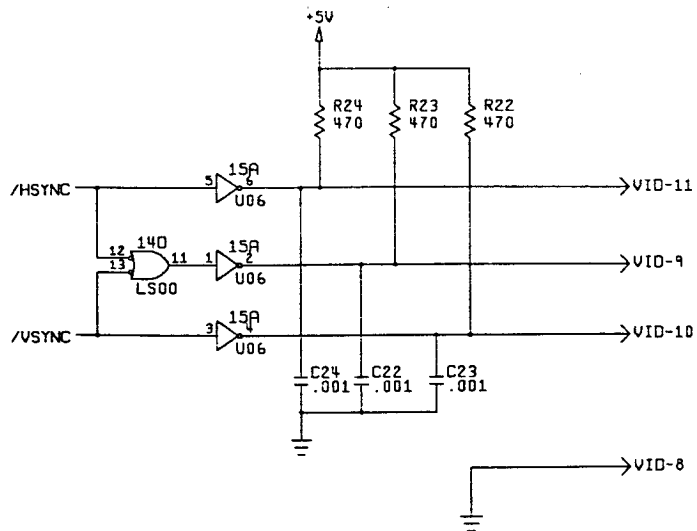


NOTICE TO ALL PERSONS RECEIVING THIS DRAWING
 CONFIDENTIAL. Reproduction forbidden without the specific written permission of Atari Games Corporation, Milpitas, CA. This drawing is only conditionally issued, and neither receipt nor possession thereof conveys or transfers any right in, or license to use, the subject matter of the drawing or any design or technical information shown thereon, nor any right to reproduce this drawing or any part thereof. Except for manufacture by vendors of Atari Games Corporation, and for manufacture under the corporation's written license, no right is granted to reproduce this drawing or the subject matter thereof, unless by written agreement with or written permission from the corporation.

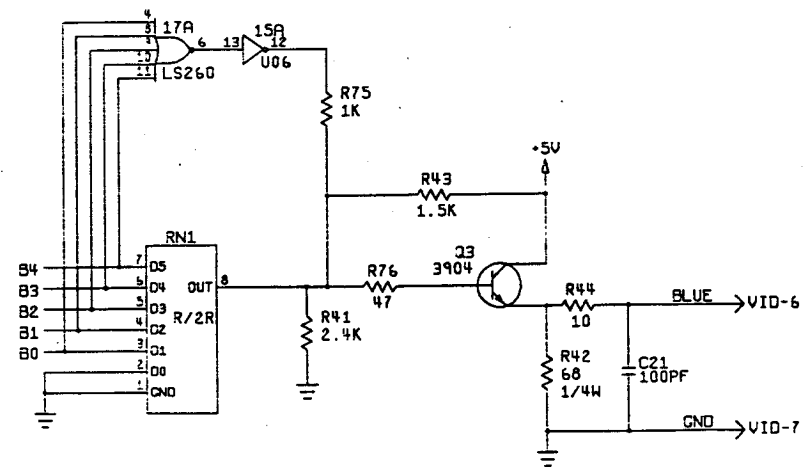
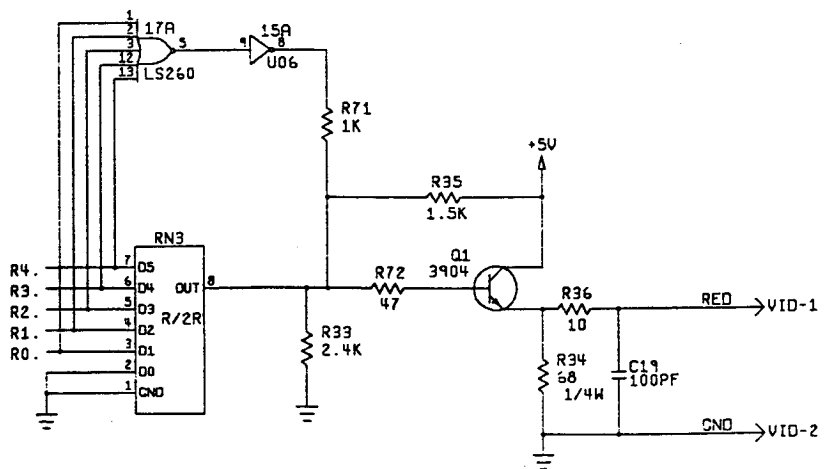


Blasteroids™ Game PCB Assembly Schematic Diagram





KEY PIN 3



NOTICE TO ALL PERSONS RECEIVING THIS DRAWING
 CONFIDENTIAL: Reproduction forbidden without the specific written permission of Atari Games Corporation, Milpitas, CA. This drawing is only conditionally issued, and neither receipt nor possession thereof confers or transfers any right in, or license to use, the subject matter of the drawing or any design or technical information shown thereon, nor any right to reproduce this drawing or any part thereof. Except for manufacture by vendors of Atari Games Corporation, and for manufacture under the corporation's written license, no right is granted to reproduce this drawing or the subject matter thereof, unless by written agreement with or written permission from the corporation.



Blasteroids™ Game PCB Assembly Schematic Diagram

© 1988 Atari Games Corporation

SP-316 Sheet 11
 1st printing

BLASTEROIDS MEMORY MAP

NOTE: The address and data line numbers are stacked vertically to fit over the narrow columns. For example, the leftmost address line is A23, and the rightmost data line is D0.

HEXADECIMAL	ADDRESS				R/W	DATA				FUNCTION		
	AAAA	AAAA	AAAA	AA		DDDD	DD	DDDD	DDDD			
000000-03FFFF	0XXX	XXAA	AAAA	AAAA	AAAA	AAAA	R	DDDD	DDDD	DDDD	DDDD	256K BYTES PROGRAM ROM
038000-03FFFF	0XXX	XX11	1AAA	AAAA	AAAA	AAAA	R	DDDD	DDDD	DDDD	DDDD	32K BYTES SLAPSTIC PROGRAM ROM SPACE
FF8000	1XXX	XXXX	X000	00XX	XXXX	XXXX	W					WATCHDOG RESET
FF8200	1XXX	XXXX	X000	001X	XXXX	XXXX	W					IRQ ACKNOWLEDGE
FF8400	1XXX	XXXX	X000	010X	XXXX	XXXX	W					VBLANK INTERRUPT ACKNOWLEDGE
FF8600	1XXX	XXXX	X000	011X	XXXX	XXXX	W					UNLOCK EEROM
FF8800-FF89FE	1XXX	XXXX	X000	100H	PPMM	MMMO	W				D	PRIORITY RAM (D0) (1 = MOTION OBJECT, 0 = PLAYFIELD)
	H = PF HALF PALETTE, P = PF PALETTE, M = M.O. PALETTE											
FF8A01	1XXX	XXXX	X000	101X	XXXX	XX01	W		DDDD	DDDD		AUDIO SEND PORT
FF8C00	1XXX	XXXX	X000	110X	XXXX	XXXX	W					RESET AUDIO PROCESSOR
FF8E00	1XXX	XXXX	X000	111X	XXXX	XXXX	W					HALT CPU UNTIL HBLANK
FF9401	1XXX	XXXX	X001	01XX	XXXX	XX01	R		DDDD	DDDD		AUDIO RECEIVE PORT
FF9801	1XXX	XXXX	X001	10XX	XXXX	XX01	R		DDDD	DDDD		WHIRLY-GIG (PLAYER 1)
FF9805	1XXX	XXXX	X001	10XX	XXXX	XX11	R		DDDD	DDDD		WHIRLY-GIG (PLAYER 2)
FF9C01	1XXX	XXXX	X001	11XX	XXXX	XX01	R				D	SELF-TEST SWITCH (D7)
FF9C01	1XXX	XXXX	X001	11XX	XXXX	XX01	R				D	AUDIO BUSY FLAG (D6) (0 = BUSY)
FF9C01	1XXX	XXXX	X001	11XX	XXXX	XX01	R				D	VBLANK (D5)
FF9C01	1XXX	XXXX	X001	11XX	XXXX	XX01	R				D	HBLANK (D4)
FF9C01	1XXX	XXXX	X001	11XX	XXXX	XX01	R		DDDD			PLAYER 1 BUTTONS \ (D0 = FIRE; D1 = THRUST;
FF9C03	1XXX	XXXX	X001	11XX	XXXX	XX11	R		DDDD			PLAYER 2 BUTTONS / D2 = TRANSFORM; D3 = SPARE)
FFA000-FFA3FE	1XXX	XXXX	X010	XXAA	AAAA	AA00	R/W	RRR	RRGG	GGGB	BBBB	COLOR RAM
FFA000-FFA1FE	1XXX	XXXX	X010	XX0P	PPPC	CC00	R/W	RRR	RRGG	GGGB	BBBB	MOTION OBJECT COLOR RAM
FFA200-FFA2FE	1XXX	XXXX	X010	XX10	PPPC	CC00	R/W	RRR	RRGG	GGGB	BBBB	PLAYFIELD COLOR RAM
	P = PALETTE C = COLOR											
FFB001-FFB3FF	1XXX	XXXX	X011	aaAA	AAAA	AA01	R/W		DDDD	DDDD		EEROM (2804: 512 BYTES; 2816: 2K BYTES)
	a = ADDRESS BITS ON 2816 ONLY											
FFC000-FFFFF	1XXXX	X1AA	AAAA	AAAA	AAAA		R/W	DDDD	DDDD	DDDD	DDDD	16K BYTES VIDEO AND WORKING RAM
FFC000-FFCFE	1XXX	XXXX	X100	RRRR	RCCC	CC00	R/W	PPPD	DDDD	DDDD	DDDD	PLAYFIELD RAM (40 x 30 STAMPS)
FFC050-FFCED0	1XXX	XXXX	X100	RRRR	R101	0000	R/W	D				ROW PROGRAMMABLE INTERRUPT (1 = INTERRUPT)
	R = ROW C = COLUMN											
FFC000-FFCFE	1XXX	XXXX	X100	1111	AAAA	AAAA		DDDD	DDDD	DDDD	DDDD	(Last 47 bytes of each row are free) 256 BYTES FREE RAM
FFD000-FFDF8	1XXX	XXXX	X101	LLLL	LLLL	L000	R/W	VVVV	VVVV	V	ZZZZ	MOVPOS (V = vposition, Z = vsize)
FFD002-FFDFFA	1XXX	XXXX	X101	LLLL	LLLL	L010	R/W	hVSS	SSSS	SSSS	SSSS	MOPIC (h = hflip, v = vflip, S = stamp)
FFD004-FFDFFC	1XXX	XXXX	X101	LLLL	LLLL	L100	R/W		LLLL	LLLL	L	MOLINK (L = next link pointer)
FFD006-FFDFFE	1XXX	XXXX	X101	LLLL	LLLL	L110	R/W	HHHH	HHHH	HH	PPPP	MOHPOS (H = hposition, P = palette)
	L = LINK POINTER											
FFE000-FFFFF	1XXX	XXXX	X11A	AAAA	AAAA	AAAA	R/W	DDDD	DDDD	DDDD	DDDD	8K BYTES FREE RAM (TOTAL FREE RAM = 9858 BYTES = 4929 WORDS + ANY UNUSED MOTION OBJECT RAM)

NOTICE TO ALL PERSONS RECEIVING THIS DRAWING
 CONFIDENTIAL: Reproduction forbidden without the specific written permission of Atari Games Corporation, Milpitas, CA. This drawing is only conditionally issued, and neither receipt nor possession thereof confers or transfers any right in, or license to use, the subject matter of the drawing or any design or technical information shown thereon, nor any right to reproduce this drawing or any part thereof. Except for manufacture by vendors of Atari Games Corporation, and for manufacture under the corporation's written license, no right is granted to reproduce this drawing or the subject matter thereof, unless by written agreement with or written permission from the corporation.



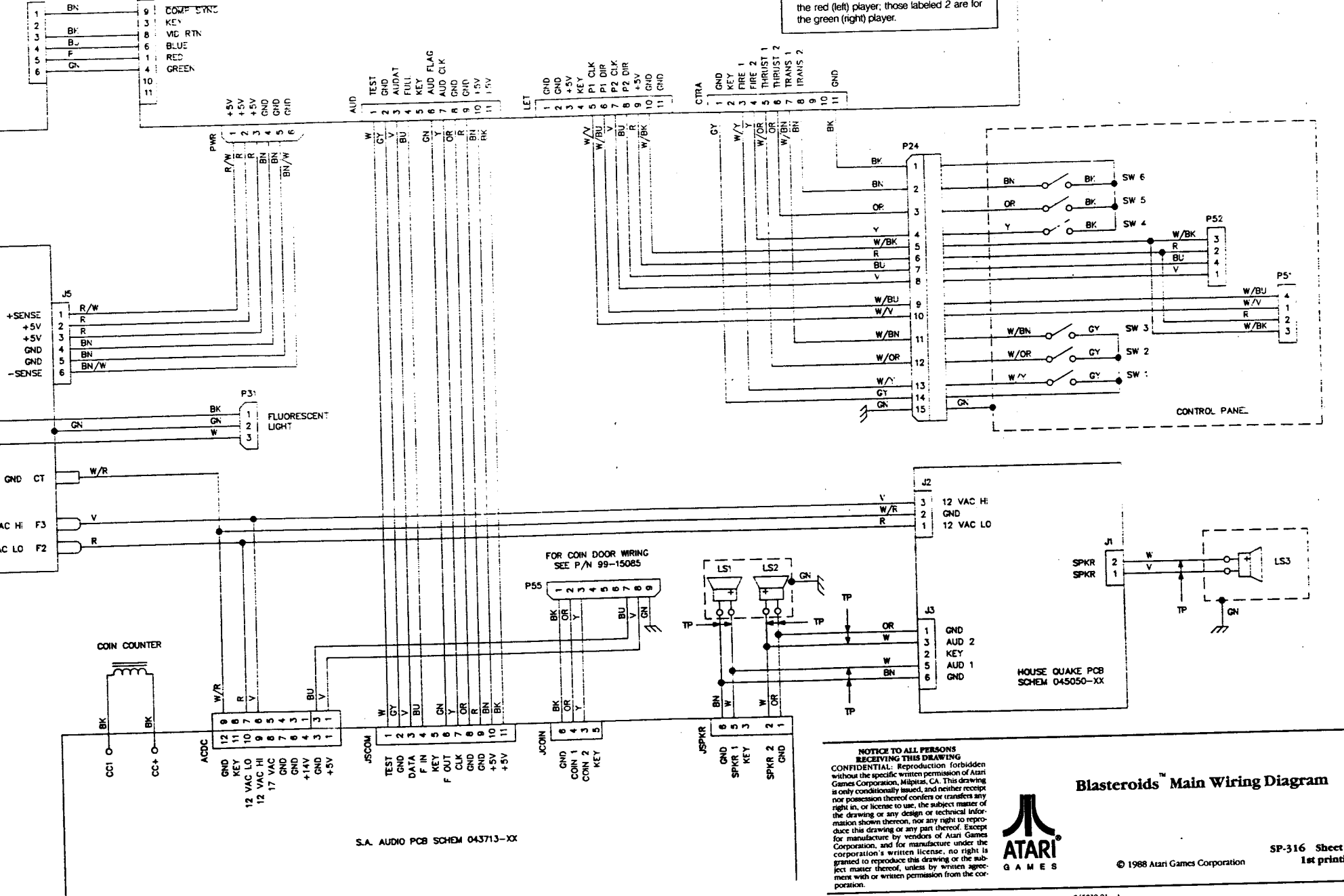
Blasteroids™ Memory Map

J205A

MAIN PCB SCHEM 044326-XX

NOTE

The control inputs below labeled 1 are for the red (left) player; those labeled 2 are for the green (right) player.



S.A. AUDIO PCB SCHEM 043713-XX

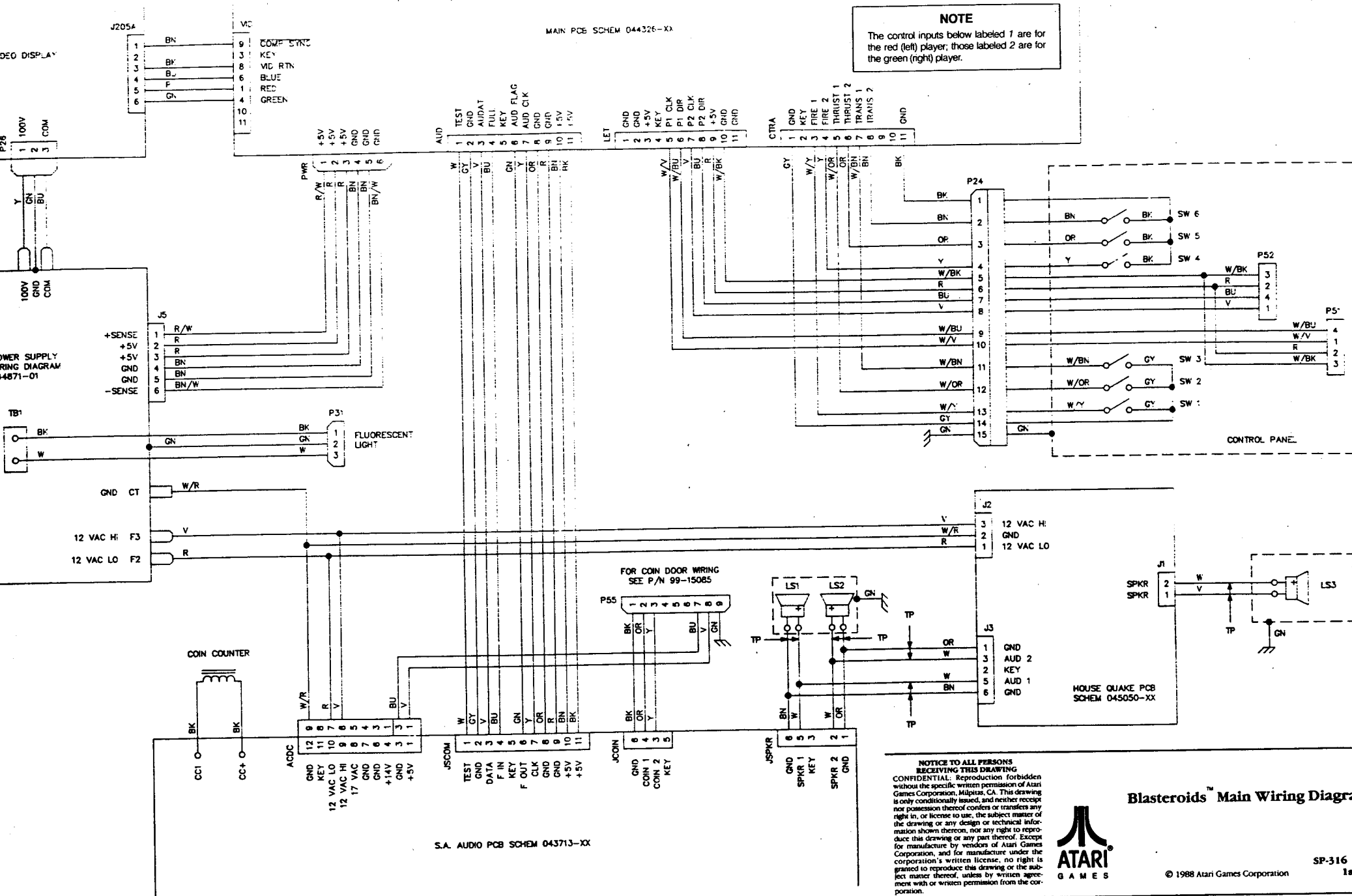
NOTICE TO ALL PERSONS RECEIVING THIS DRAWING
 CONFIDENTIAL: Reproduction forbidden without the specific written permission of Atari Games Corporation, Milpitas, CA. This drawing is only conditionally issued, and neither receipt nor possession thereof confers or transfers any right in, or license to use, the subject matter of the drawing or any design or technical information shown thereon, nor any right to reproduce this drawing or any part thereof. Except for manufacture by vendors of Atari Games Corporation, and for manufacture under the corporation's written license, no right is granted to reproduce this drawing or the subject matter thereof, unless by written agreement with or written permission from the corporation.



Blasteroids™ Main Wiring Diagram

© 1988 Atari Games Corporation

SP-316 Sheet 13
1st printing



NOTICE TO ALL PERSONS RECEIVING THIS DRAWING

CONFIDENTIAL: Reproduction forbidden without the specific written permission of Atari Games Corporation, Midvale, GA. This drawing is only conditionally issued, and neither receipt nor possession thereof confers or transfers any right in, or license to use, the subject matter of the drawing or any design or technical information shown thereon, nor any right to reproduce this drawing or any part thereof. Except for manufacture by vendors of Atari Games Corporation, and for manufacture under the corporation's written license, no right is granted to reproduce this drawing or the subject matter thereof, unless by written agreement with or written permission from the corporation.

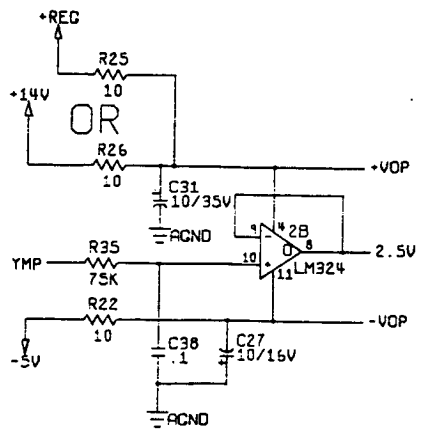
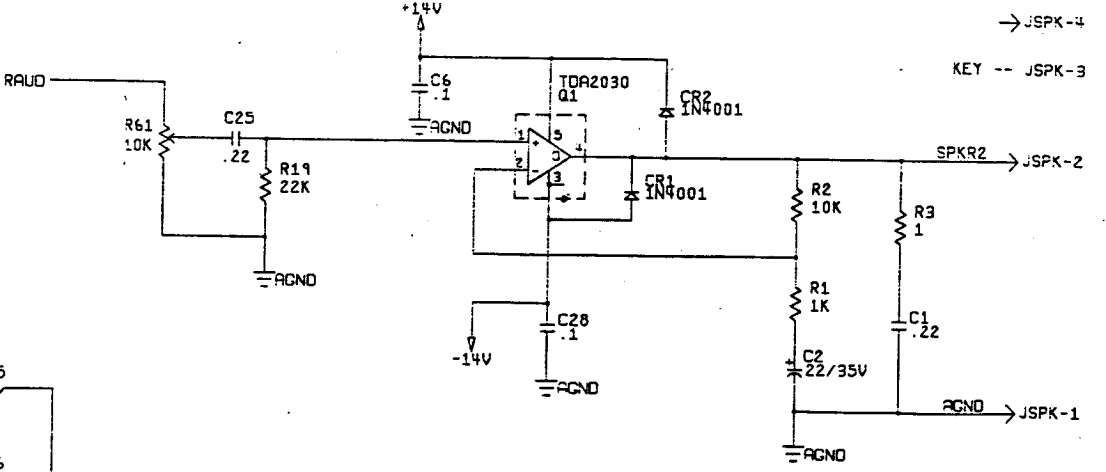
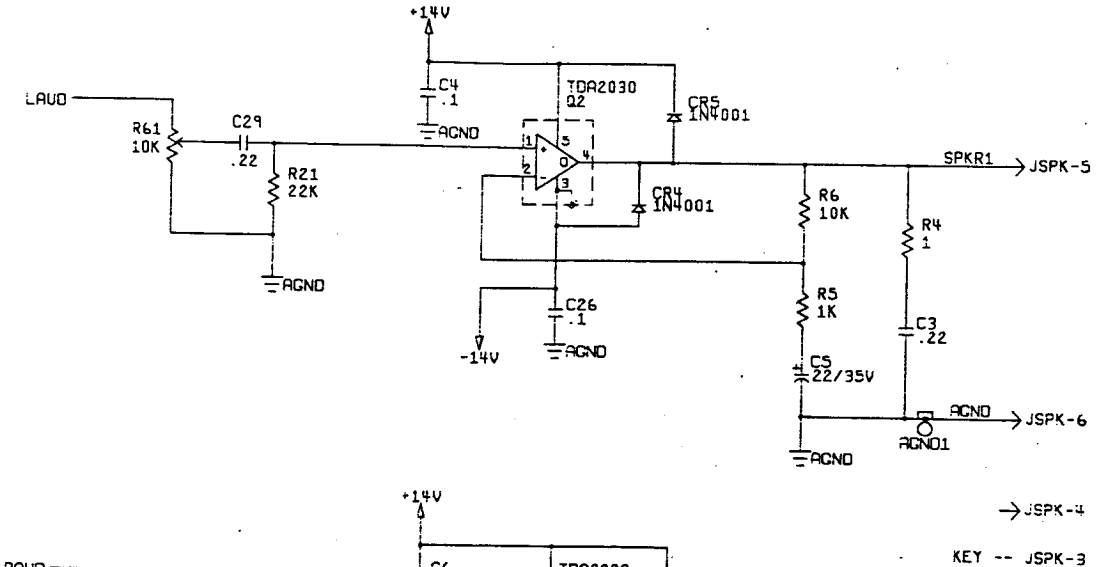
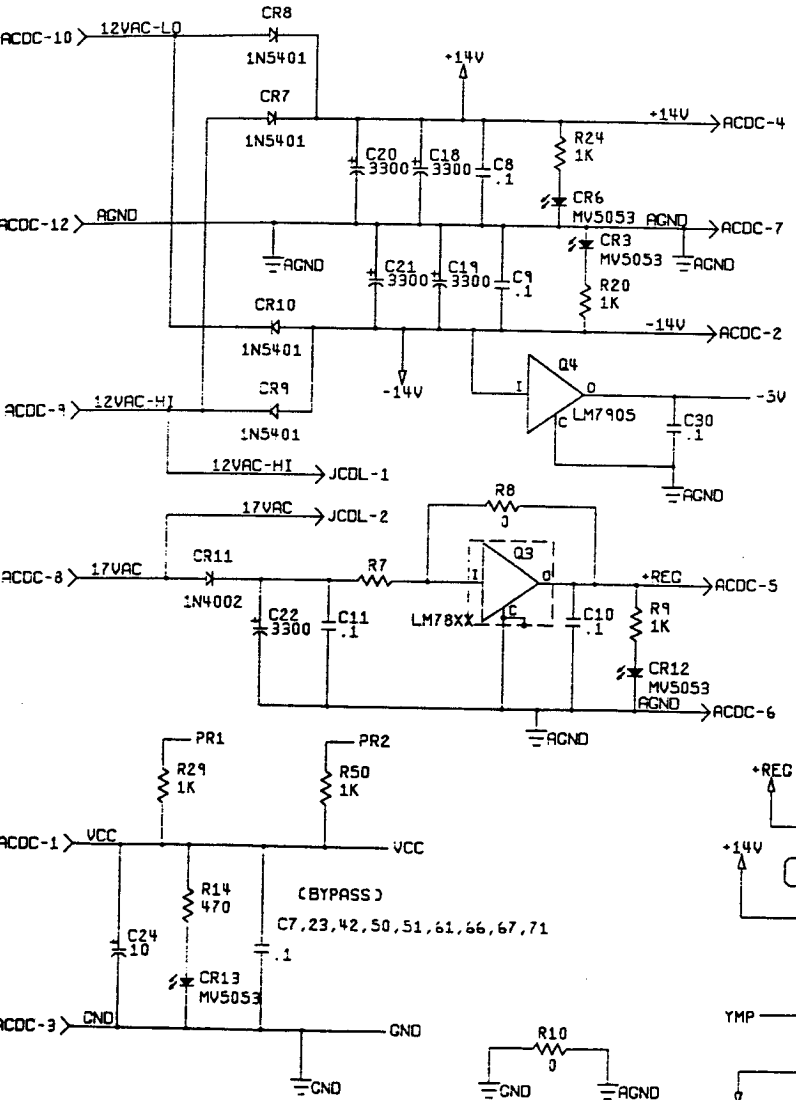


Blasteroids™ Main Wiring Diagram

© 1988 Atari Games Corporation

SP-316

ACDC-11 -- KEY

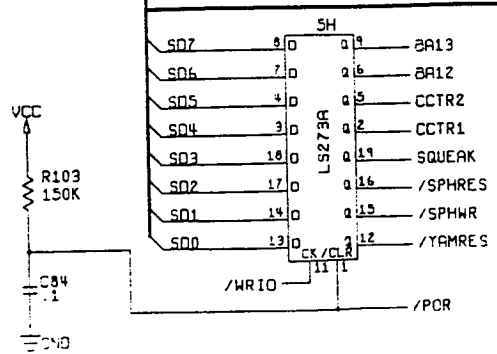
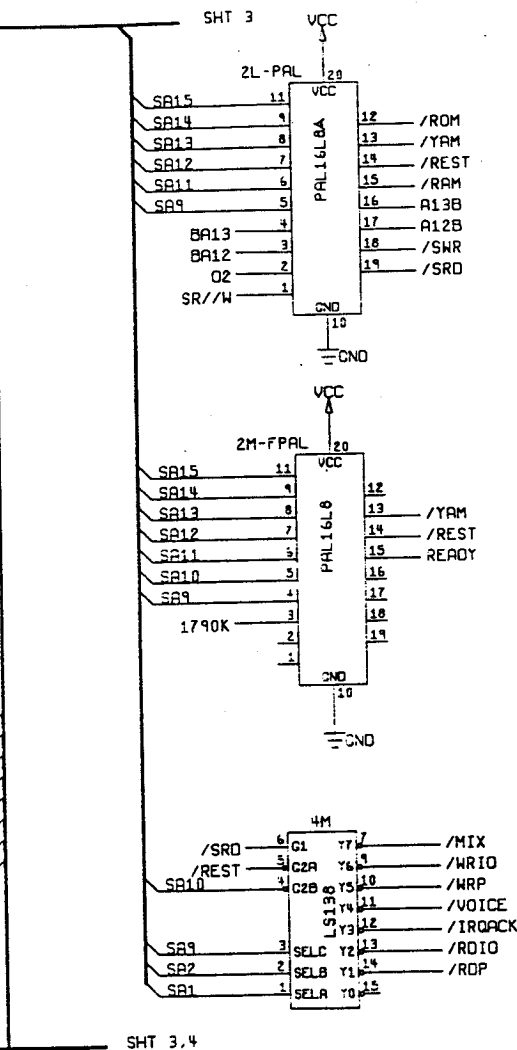
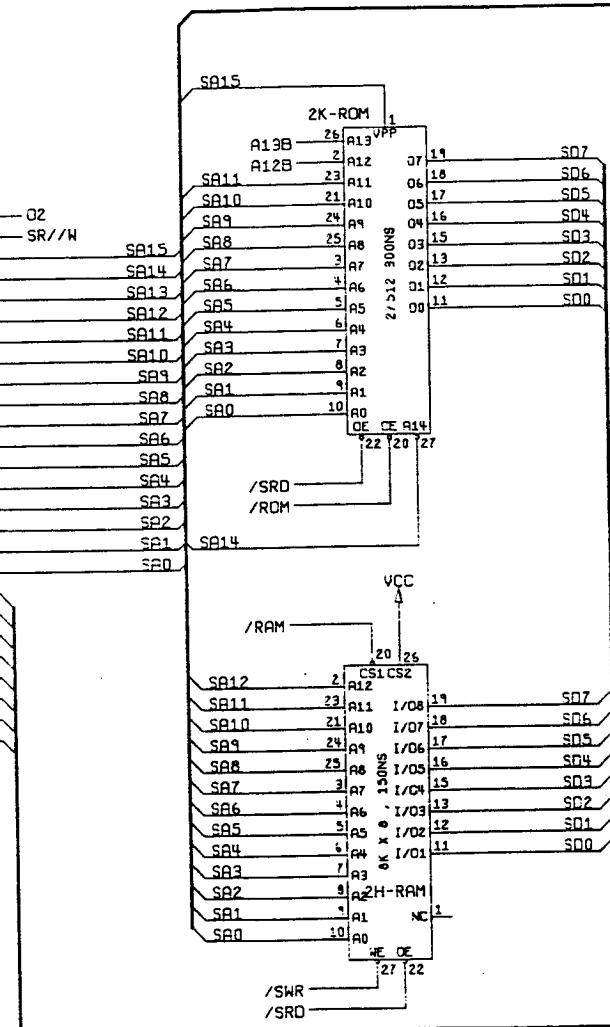
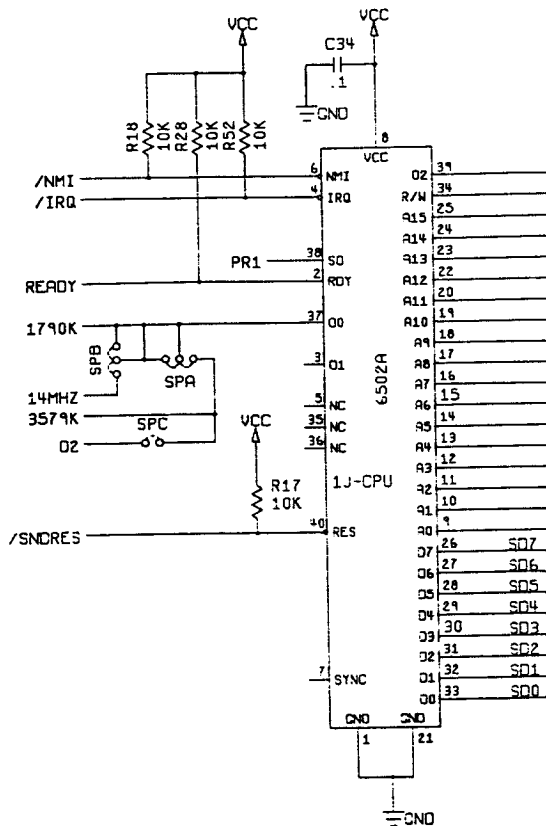


NOTICE TO ALL PERSONS RECEIVING THIS DRAWING
 CONFIDENTIAL: Reproduction forbidden without the specific written permission of Atari Games Corporation, Milpitas, CA. This drawing is only conditionally issued, and neither receipt nor possession thereof confers or transfers any right in, or license to use, the subject matter of the drawing or any design or technical information shown thereon, nor any right to reproduce this drawing or any part thereof. Except for manufacture by vendors of Atari Games Corporation, and for manufacture under the corporation's written license, no right is granted to reproduce this drawing or the subject matter thereof, unless by written agreement with or written permission from the corporation.



Stand-Alone Audio PCB Assembly Schematic Diagram (Sheet 1 of 4)

© 1988 Atari Games Corporation



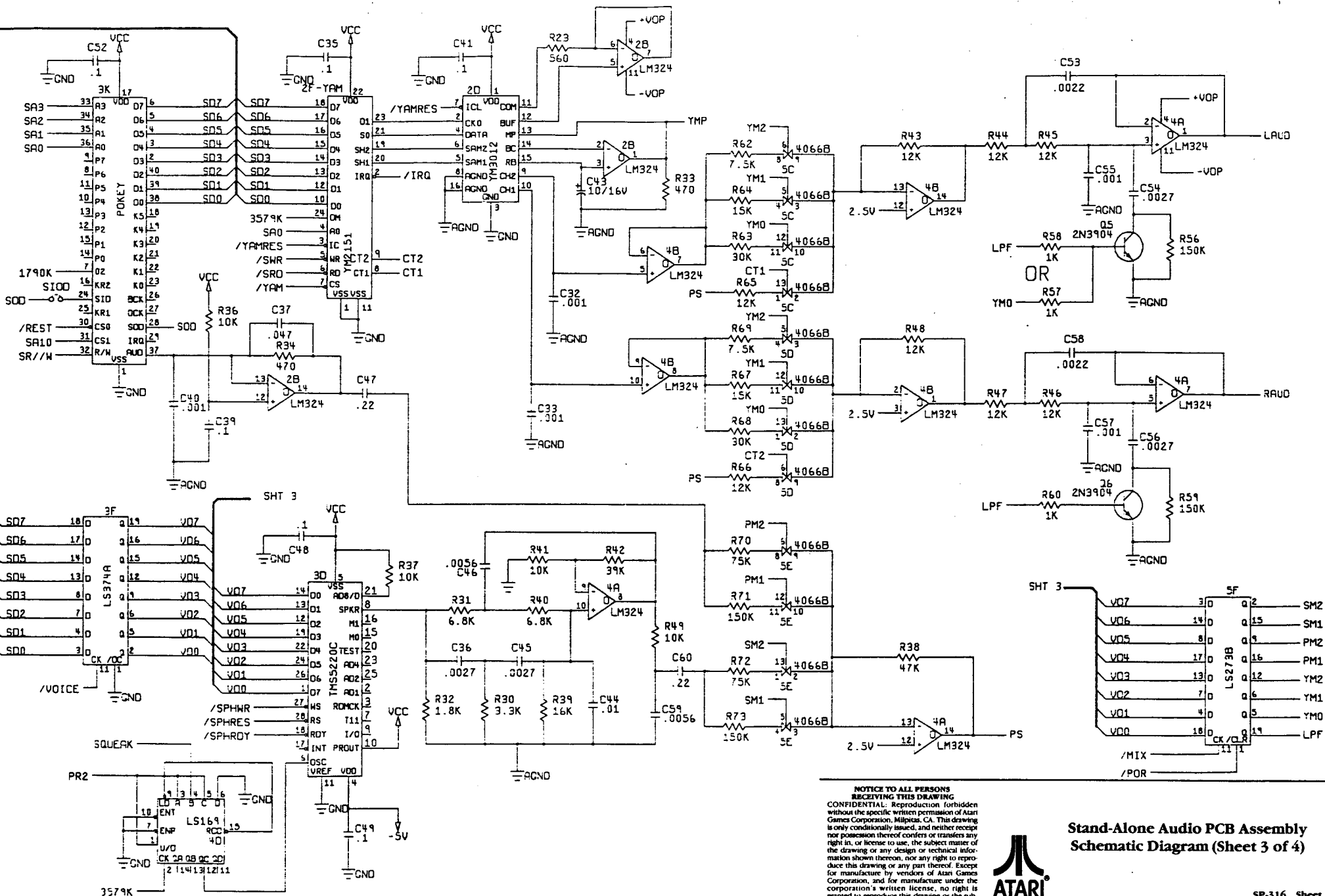
NOTICE TO ALL PERSONS RECEIVING THIS DRAWING
 CONFIDENTIAL: Reproduction forbidden without the specific written permission of Atari Games Corporation, Milpitas, CA. This drawing is only conditionally issued, and neither receipt nor possession thereof confers or transfers any right in, or license to use, the subject matter of the drawing or any design or technical information shown thereon, nor any right to reproduce this drawing or any part thereof. Except for manufacture by vendors of Atari Games Corporation, and for manufacture under the corporation's written license, no right is granted to reproduce this drawing or the subject matter thereof, unless by written agreement with or written permission from the corporation.



Stand-Alone Audio PCB Assembly Schematic Diagram (Sheet 2 of 4)

© 1988 Atari Games Corporation

SP-316 Sheet 15
1st printing



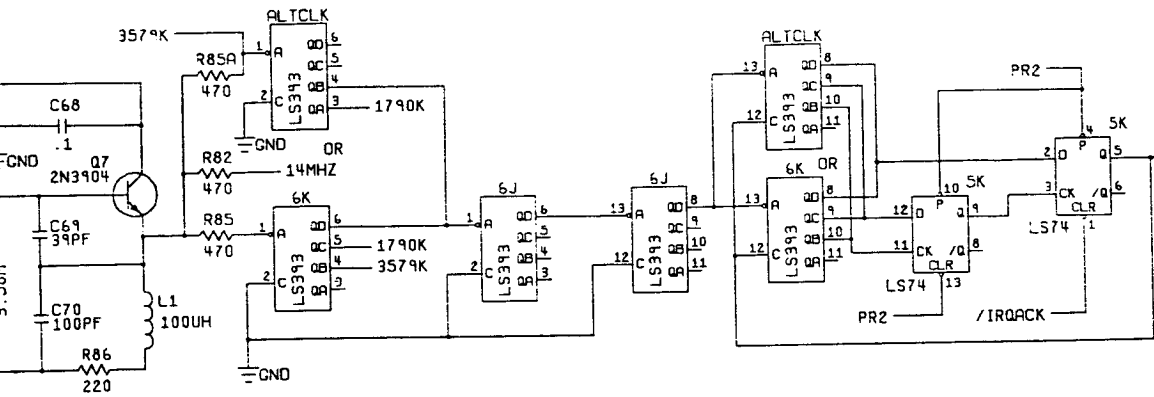
NOTICE TO ALL PERSONS RECEIVING THIS DRAWING
 CONFIDENTIAL: Reproduction forbidden without the specific written permission of Atari Games Corporation, Milpitas, CA. This drawing is only conditionally issued, and neither receipt nor possession thereof confers or transfers any right in, or license to use, the subject matter of the drawing or any design or technical information shown hereon, nor any right to reproduce this drawing or any part thereof. Except for manufacture by vendors of Atari Games Corporation, and for manufacture under the corporation's written license, no right is granted to reproduce this drawing or the subject matter thereof, unless by written agreement with or written permission from the corporation.



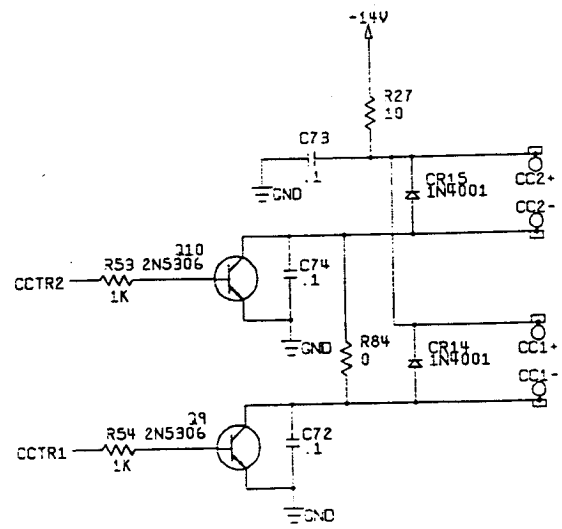
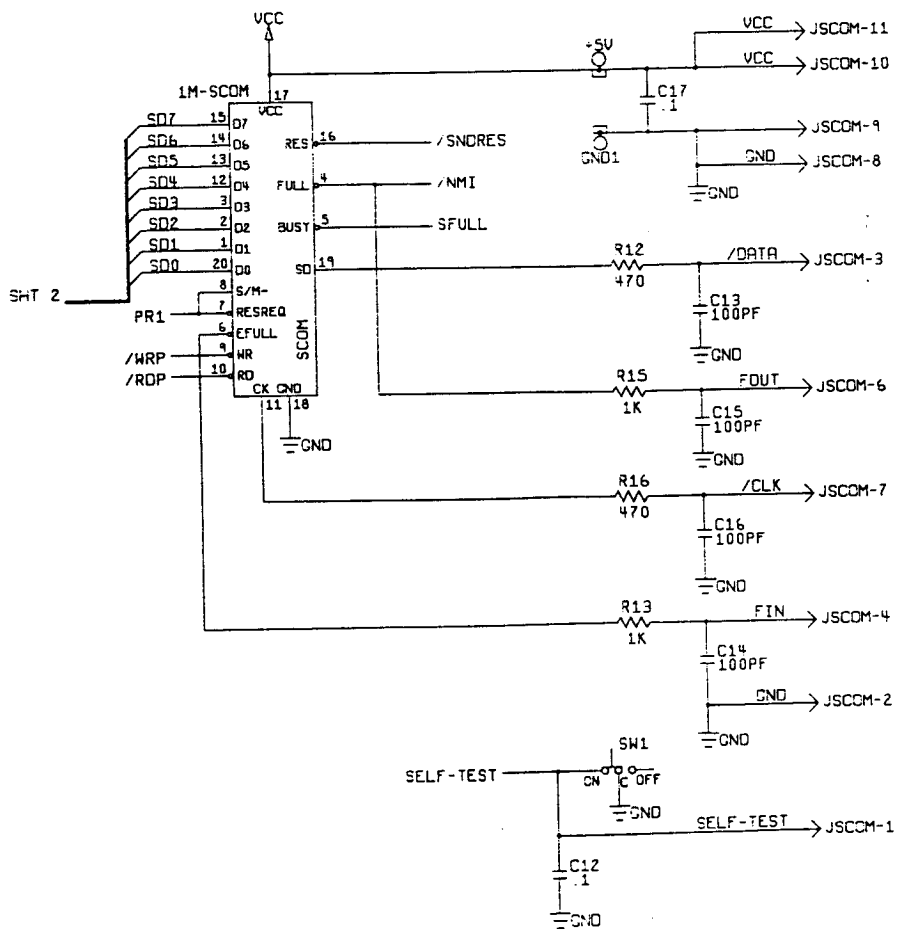
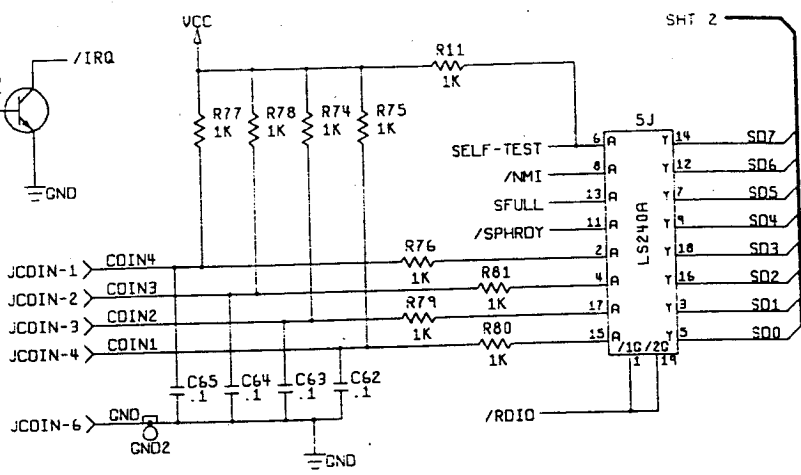
Stand-Alone Audio PCB Assembly Schematic Diagram (Sheet 3 of 4)

© 1988 Atari Games Corporation

SP-316 Sheet 10
1st printing



KEY -- JSCOM-5



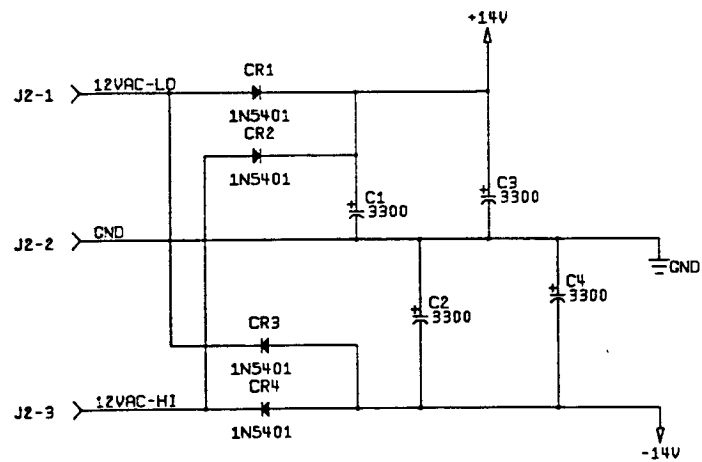
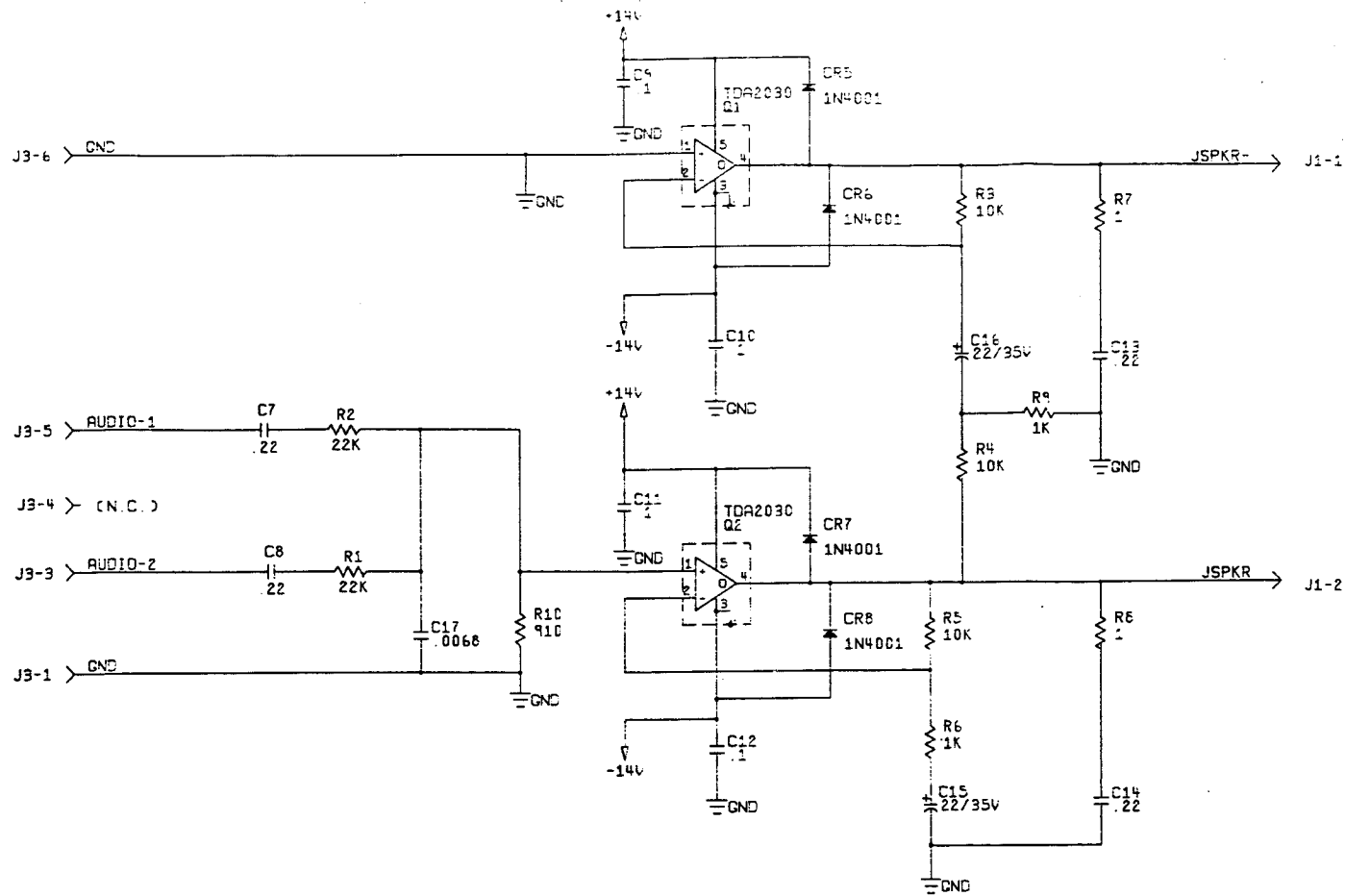
NOTICE TO ALL PERSONS RECEIVING THIS DRAWING
 CONFIDENTIAL: Reproduction forbidden without the specific written permission of Atari Games Corporation, Milpitas, CA. This drawing is only conditionally issued, and neither receipt nor possession thereof confers or transfers any right in, or license to use, the subject matter of the drawing or any design or technical information shown thereon, nor any right to reproduce this drawing or any part thereof. Except for manufacture by vendors of Atari Games Corporation, and for manufacture under the corporation's written license, no right is granted to reproduce this drawing or the subject matter thereof, unless by written agreement with or written permission from the corporation.



Stand-Alone Audio PCB Assembly Schematic Diagram (Sheet 4 of 4)

© 1988 Atari Games Corporation

SP-316 Sheet 1 1st printing



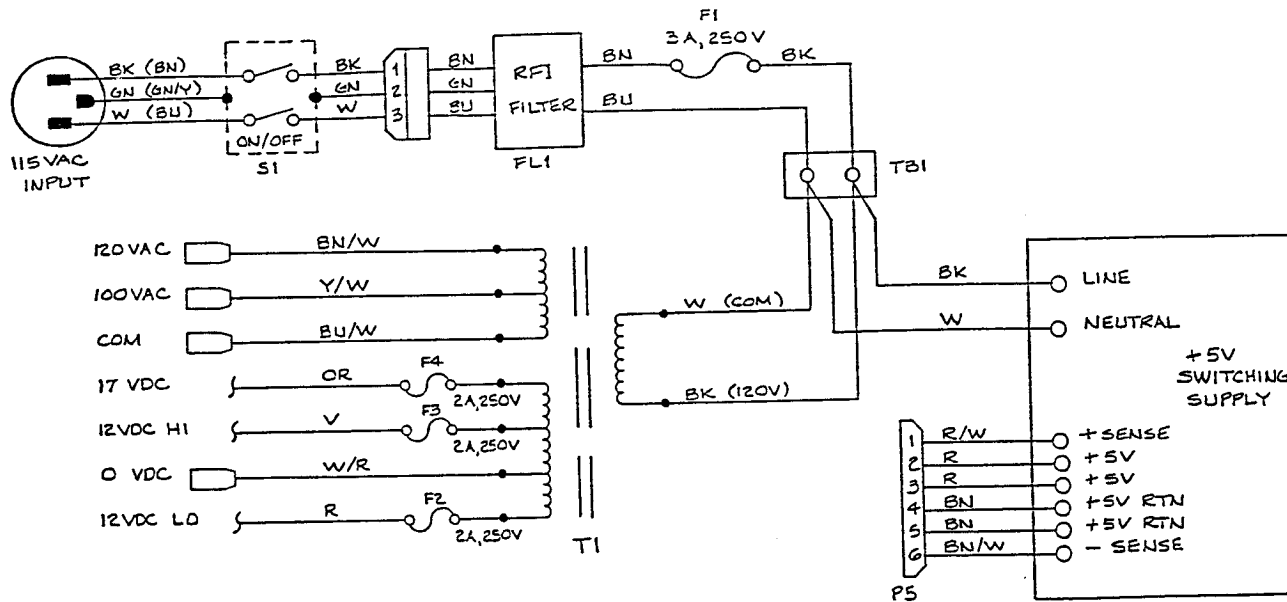
NOTICE TO ALL PERSONS RECEIVING THIS DRAWING
 CONFIDENTIAL: Reproduction forbidden without the specific written permission of Atari Games Corporation, Milpitas, CA. This drawing is only conditionally issued, and neither receipt nor possession thereof confers or transfers any right in, or license to use, the subject matter of the drawing or any design or technical information shown thereon, nor any right to reproduce this drawing or any part thereof. Except for manufacture by vendors of Atari Games Corporation, and for manufacture under the corporation's written license, no right is granted to reproduce this drawing or the subject matter thereof, unless by written agreement with or written permission from the corporation.



Housequake™ PCB Assembly Schematic Diagram

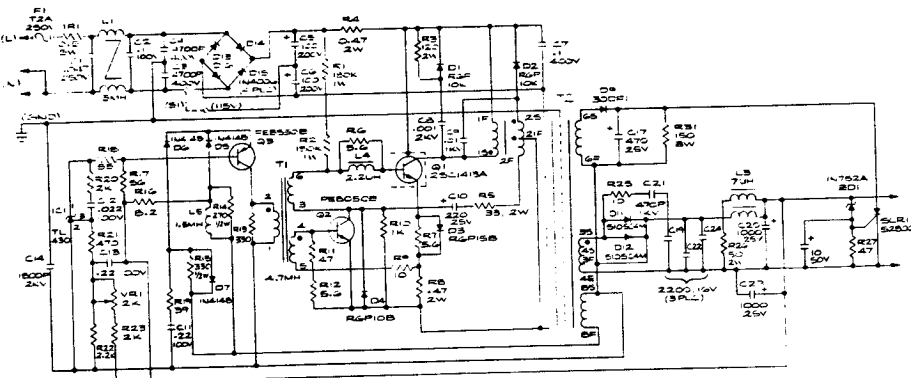
© 1988 Atari Games Corporation

SP-316 Sheet 1st print



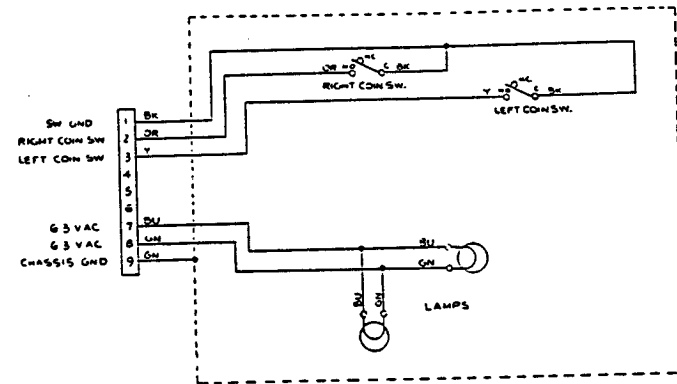
Switching/Linear (SL) Power Supply

Coin Door Wiring Diagram



ATARI PART NO. 149003-003 (5.0V)
149003-103 (2.40V)

Hitron 5V 10A Switching Power Supply



NOTICE TO ALL PERSONS RECEIVING THIS DRAWING
CONFIDENTIAL: Reproduction forbidden without the specific written permission of Atari Games Corporation, Milpitas, CA. This drawing is only conditionally issued, and neither receipt nor possession thereof confers or transfers any right in, or license to use, the subject matter of the drawing or any design or technical information shown thereon, nor any right to reproduce this drawing or any part thereof. Except for manufacture by vendors of Atari Games Corporation, and for manufacture under the corporation's written license, no right is granted to reproduce this drawing or the subject matter thereof, unless by written agreement with or written permission from the corporation.



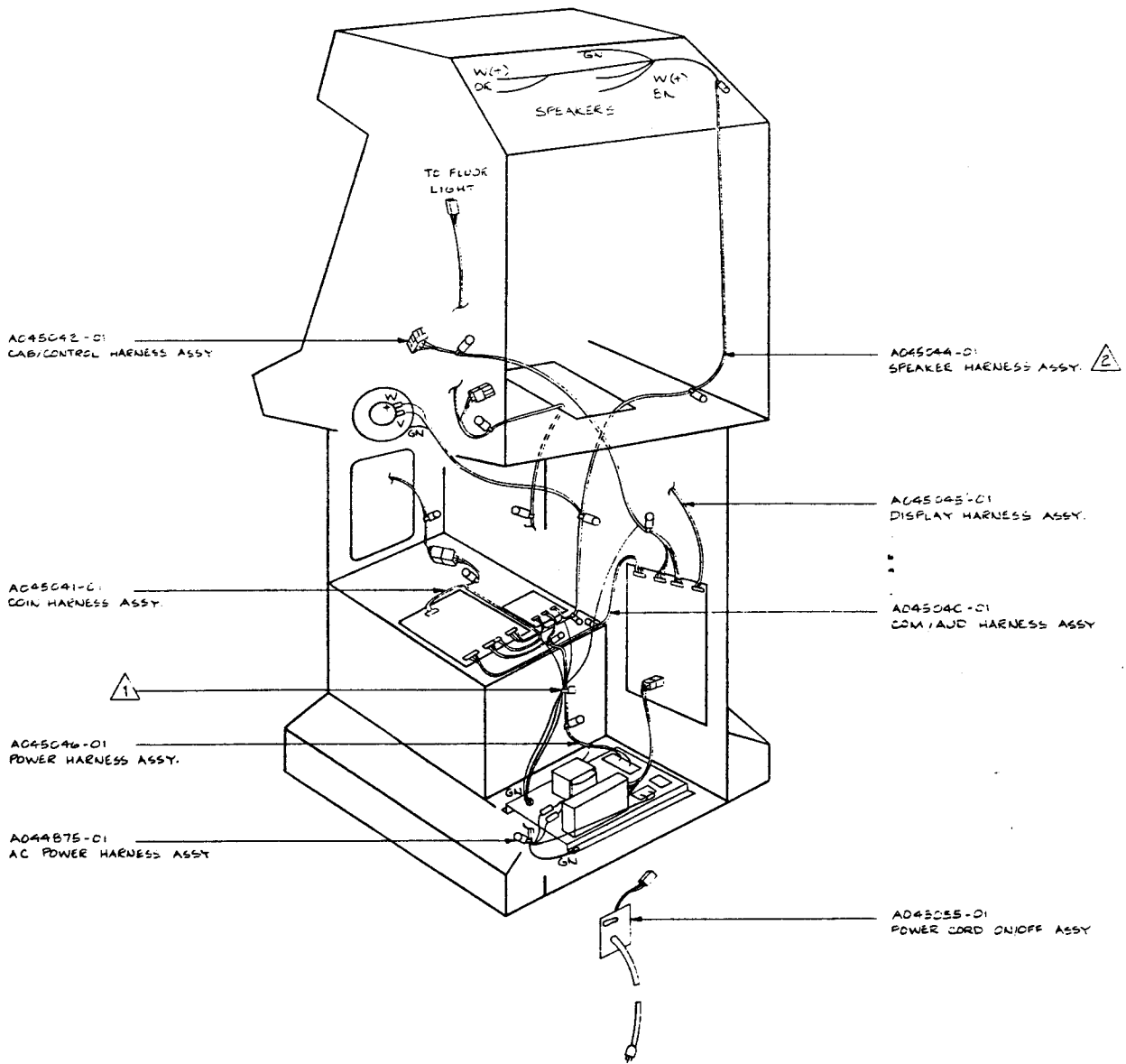
Wiring Diagrams for Switching/Linear (SL) Power Supply, Hitron 5V 10A Switching Power Supply, and Coin Door

© 1988 Atari Games Corporation

SP-316 Sheet 19
1st printing

NOTE

If you replace any of the harnesses in this game, be sure to install them as shown in this illustration. Installing them in a different way may cause this game to generate excessive electromagnetic interference.



NOTES

- ① SECURE GROUND WIRES TO POWER HARNESS ASSY. WHERE SHOWN.
- ② STAPLE GROUND WIRE TO LEFT REAR CORNER OF TOP SPEAKER PANEL AND BOTTOM LEFT CORNER OF LOWER SPEAKER PANEL.

NOTICE TO ALL PERSONS RECEIVING THIS DRAWING
 CONFIDENTIAL: Reproduction forbidden without the specific written permission of Atari Games Corporation, Milpitas, CA. This drawing is only conditionally issued, and neither receipt nor possession thereof confers or transfers any right in, or license to use, the subject matter of the drawing or any design or technical information shown thereon, nor any right to reproduce this drawing or any part thereof. Except for manufacture by vendors of Atari Games Corporation, and for manufacture under the corporation's written license, no right is granted to reproduce this drawing or the subject matter thereof, unless by written agreement with or written permission from the corporation.



Blasteroids Harness Installation

© 1988 Atari Games Corporation

SP-316 Sheet 1st print