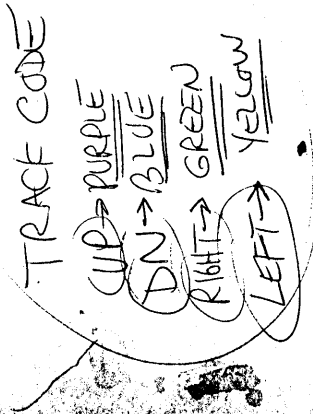
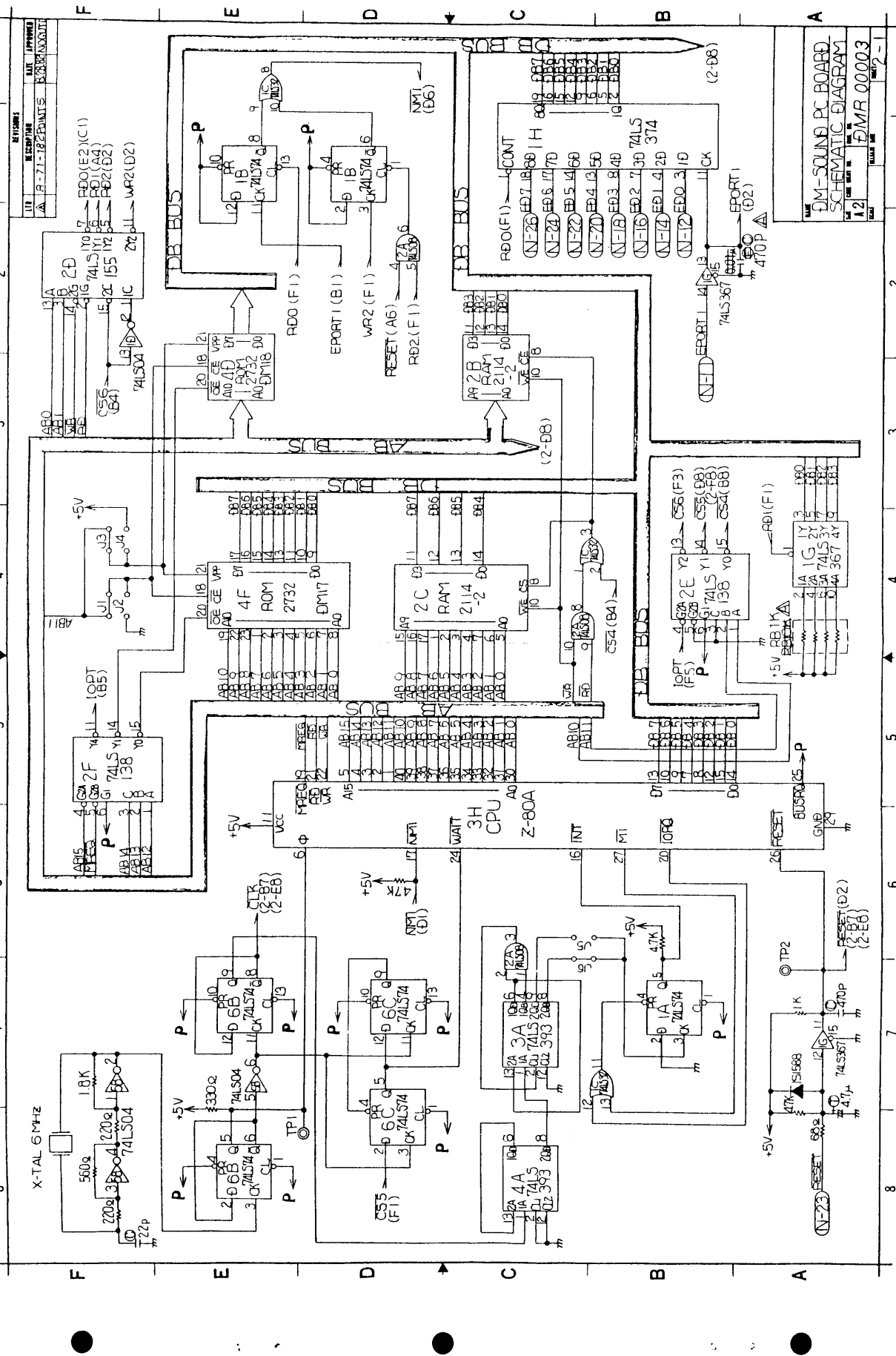


# BIRDIE-KING II

Schematics and Wiring Diagrams



Distributed by:  
**MONROE Distributing Inc.**  
2999 Payne Avenue  
Cleveland, Ohio 44114  
Licensed by *Corn-It Co.*



REVISIONS

REV	DESCRIPTION	DATE	APPROVED
1	A - Z-80 PC BOARD SCHEMATIC DIAGRAM	8/28/82	WAS

DATE: 8/28/82

FILE NAME: Z-80A

SCALE: 1:1

DMR 00003

Z-80A CPU BOARD SCHEMATIC DIAGRAM

**18 PIN EDGE CONNECTOR**

COMPONENT	SOLDER	
GROUND	1	A
	2	B
	3	C
	4	D
	5	E
	6	F
	7	H
	8	J
+12	9	K
	10	L
	11	M
+12	12	N
	13	P
	14	R
	15	S
	16	T
+5	17	U
+5	18	V

NOTE: Some wire colors may vary.

**22 PIN EDGE CONNECTOR**

COMPONENT	SOLDER	
GROUND	1	A
VIDEO	2	B
VIDEO	3	C
VIDEO SYNC	4	D
(SPEAKER) SOUND	5	E
	6	F
	7	H
COIN SWITCH	8	J
RETURN FROM 12 V. METER	9	K
	10	L
1 PLAYER START	11	M
UP	12	N
DOWN	13	P
RIGHT	14	R
LEFT	15	S
	16	T
	17	U
	18	V
	19	W
	20	X
	21	Y
	22	Z

NOTE: Some wire colors may vary.

Adjustments of DIP Switch  
(Before adjusting, turn the power switch off.)

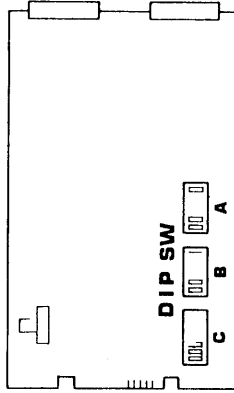


Figure 7

Table 1

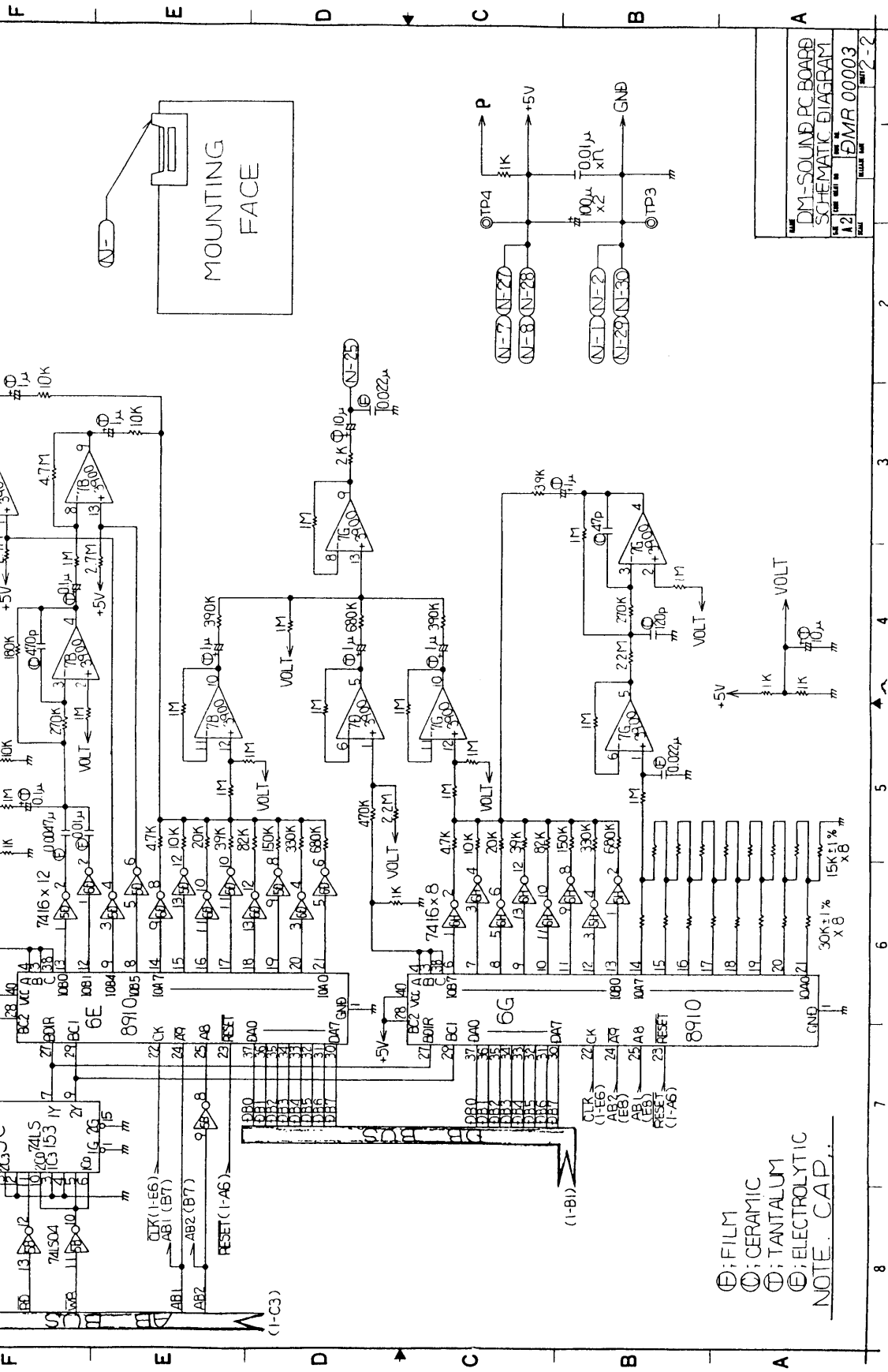
Setting	Position							
	1	2	3	4	5	6	7	8
Hole(s) Awarded	* Par Play	0 Hole						
	* Birdie	1 Hole						
	* Eagle	2 Holes	ON					
	* Double Eagle	4 Holes						
Free Play	* Par Play	1 Hole						
	* Birdie	2 Holes						
	* Eagle	3 Holes						
	* Double Eagle	4 Holes						
Screen Inversion (Upright Type Machine Only)	Hole in One	3 Holes	ON					
	Hole in One	9 Holes	OFF					
Game Style	Free Play		ON					
	Normal		OFF					
	9			ON	ON			
Factory Adjustment: *	5			ON	OFF			
	4			OFF	ON			
	3			OFF	OFF			
Upright						ON		
	Table					OFF		

Setting	Position	1 WAY (LEFT)				2 WAY (RIGHT)			
		1	2	3	4	5	6	7	8
* 1 Coin - 1 Play		ON	ON	ON	ON	ON	ON	ON	ON
1 Coin - 2 Plays		OFF							
1 Coin - 3 Plays		ON	OFF			ON	OFF		
1 Coin - 4 Plays		OFF							
1 Coin - 5 Plays		ON	ON	OFF		ON	ON	OFF	
1 Coin - 6 Plays		OFF							
1 Coin - 7 Plays		ON	OFF	OFF		ON	OFF		
1 Coin - 8 Plays		OFF							
2 Coins - 1 Play		ON	ON	ON	OFF	ON	ON	ON	
3 Coins - 1 Play		OFF							
4 Coins - 1 Play		ON	OFF			ON	OFF		
5 Coins - 1 Play		OFF							
6 Coins - 1 Play		ON	ON	OFF		ON	ON	OFF	
7 Coins - 1 Play		OFF							
8 Coins - 1 Play		ON	OFF	OFF		ON	OFF		
9 Coins - 1 Play		OFF							

Setting		Position		1	2	3	4	5	6	7	8					
Appearance of Crow *	Without			ON			OFF									
	With			OFF												
The hole from which a crow appears and flies with drawing a circle or a 8-shape in the air. *	Circle 1,7,11,15,18 8-shape 3,5,9,13,17				ON	ON										
	Circle 4,7,13,18 8-shape 1,10,16,17				ON	OFF										
	Circle 1,10,16,18 8-shape 4,7,13,17				OFF	ON										
	Circle 3,5,9,13,18 8-shape 1,7,11,15,17				OFF	OFF										
Coin Display *	No Display											ON				
	Display											OFF				
Year Display *	No Display									ON						
	Display									OFF						
Check *	Check										ON					
	Normal										OFF					
Coin System *	1 Way										ON					
	2 Way										OFF					

. Factory Adjustment: \*

REV	DESCRIPTION	DATE	APPROVED

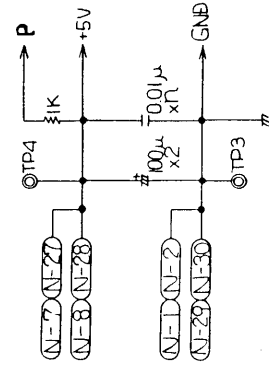


- ⊖; FILM
- ⊙; CERAMIC
- ⊘; TANTALUM
- ⊚; ELECTROLYTIC

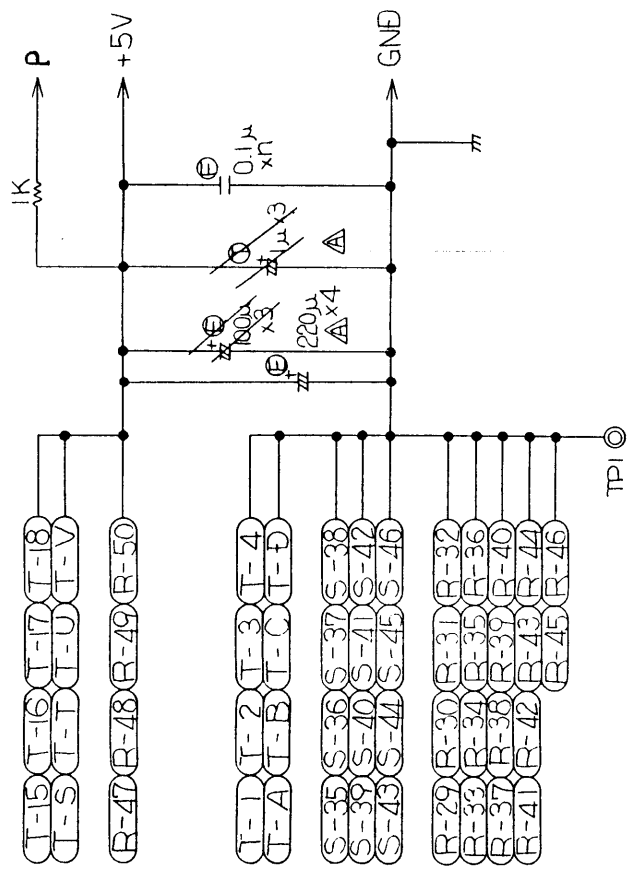
NOTE: CAP.

	DM-SOUND PC BOARD	
	SCHEMATIC DIAGRAM	
1		
2		
DMR 00003		REV 2-2

MOUNTING  
FACE

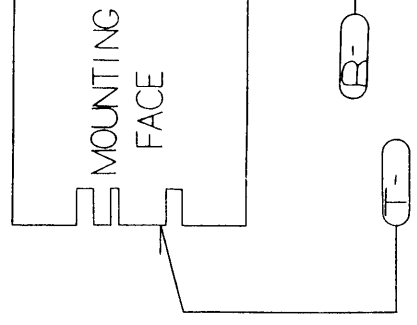


REVISIONS		
CTR	DESCRIPTION	DATE APPROVED
A	2 POINT S-71-15	17.88.82
		10060041



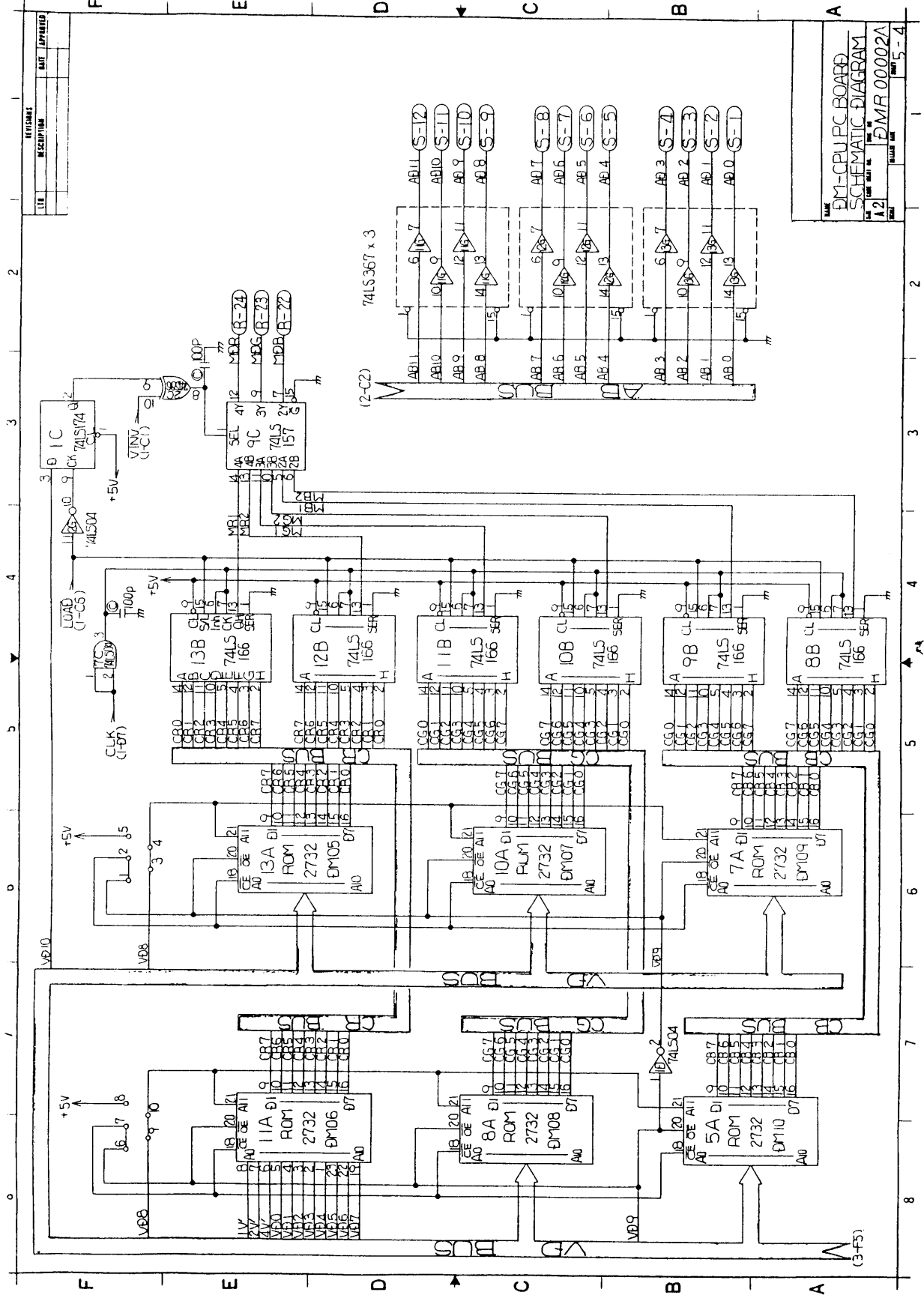
- ⊖ ; ELECTROLYTIC
- ⊕ ; TANTALUM
- ⊖ ; FILM
- ⊙ ; CERAMIC

NOTE. CAP.

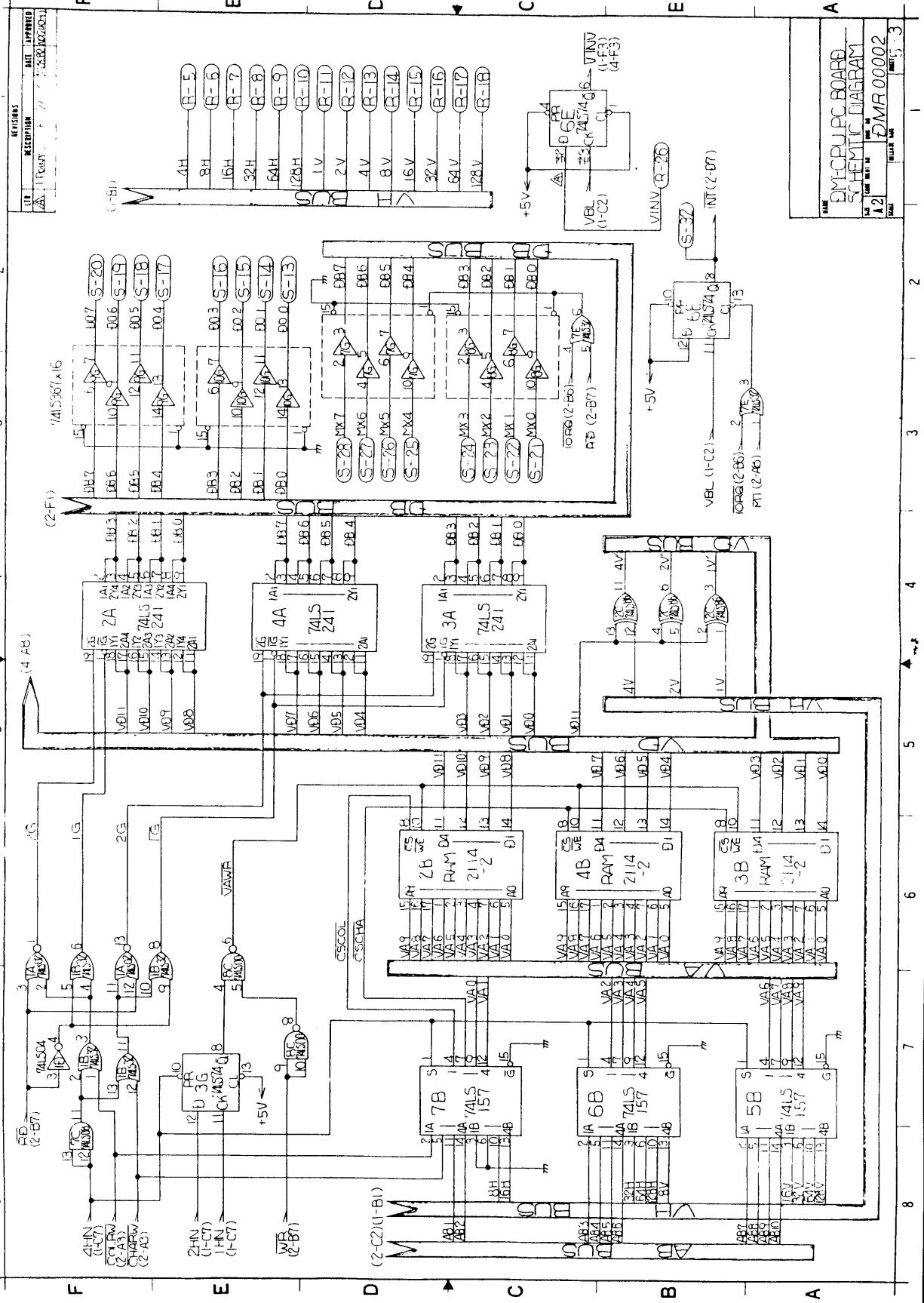


NAME	EM-CPU PC BOARD		
SIZE	FORM TREAT NO.	DOC. NO.	REV. NO.
A 3		EMR 00002	5-5
SCALE	RELEASE DATE		

REV	DESCRIPTION	DATE APPROVED



EM-CPU PC BOARD  
SCHEMATIC DIAGRAM  
EMR 00002A  
REV 5-4



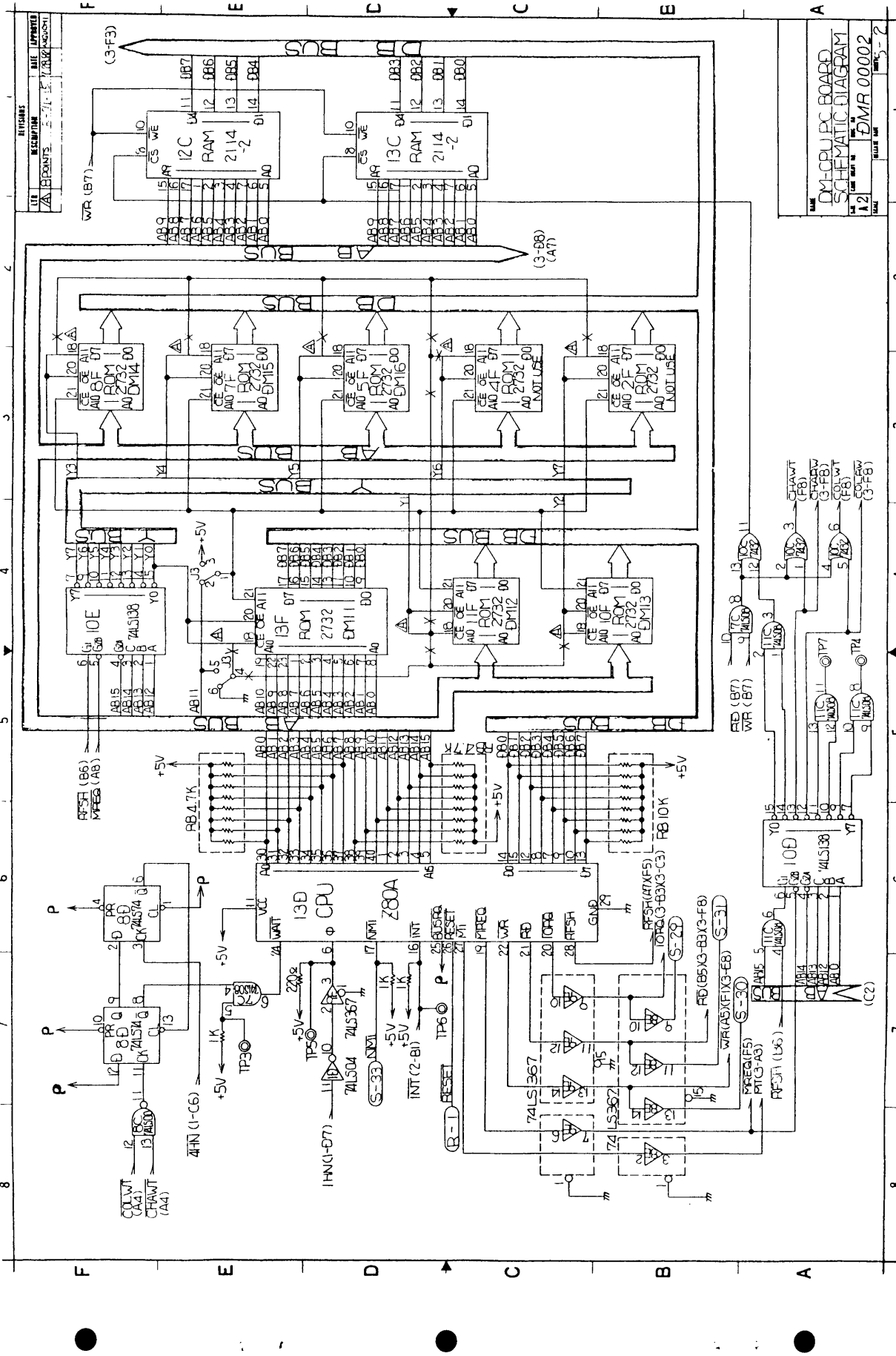
REV	DESCRIPTION	DATE	APPROVED
1	INITIAL	11/11/81	[Signature]

REF ID	DESCRIPTION	QTY	UNIT
41N	40 PIN DIP	1	PCB
42N	40 PIN DIP	1	PCB
43N	40 PIN DIP	1	PCB
44N	40 PIN DIP	1	PCB
16A	16 PIN DIP	1	PCB
16B	16 PIN DIP	1	PCB
16C	16 PIN DIP	1	PCB

REF ID	DESCRIPTION	QTY	UNIT
41H	40 PIN DIP	1	PCB
41L	40 PIN DIP	1	PCB
41M	40 PIN DIP	1	PCB
41N	40 PIN DIP	1	PCB
41O	40 PIN DIP	1	PCB
41P	40 PIN DIP	1	PCB
41Q	40 PIN DIP	1	PCB
41R	40 PIN DIP	1	PCB
41S	40 PIN DIP	1	PCB
41T	40 PIN DIP	1	PCB
41U	40 PIN DIP	1	PCB
41V	40 PIN DIP	1	PCB
41W	40 PIN DIP	1	PCB
41X	40 PIN DIP	1	PCB
41Y	40 PIN DIP	1	PCB
41Z	40 PIN DIP	1	PCB

DM-CPU-PC BOARD  
SCHEMATIC DIAGRAM  
REV. 1.2  
DMR 00002

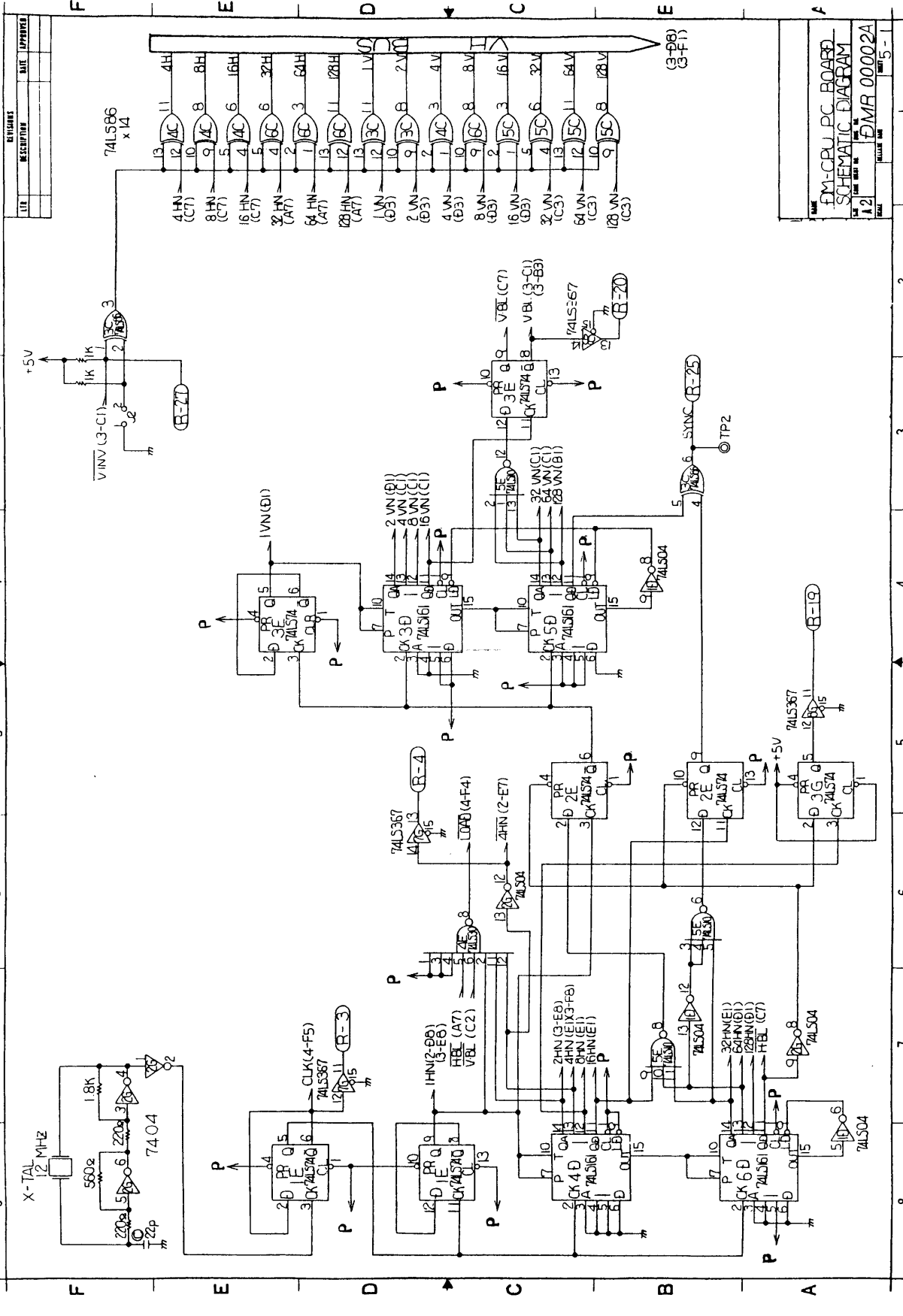




DM-CPU PC BOARD  
SCHEMATIC DIAGRAM  
REV. 1.2  
DMR 00002

REVISIONS  
DATE APPROVED  
DATE REVISION  
BY

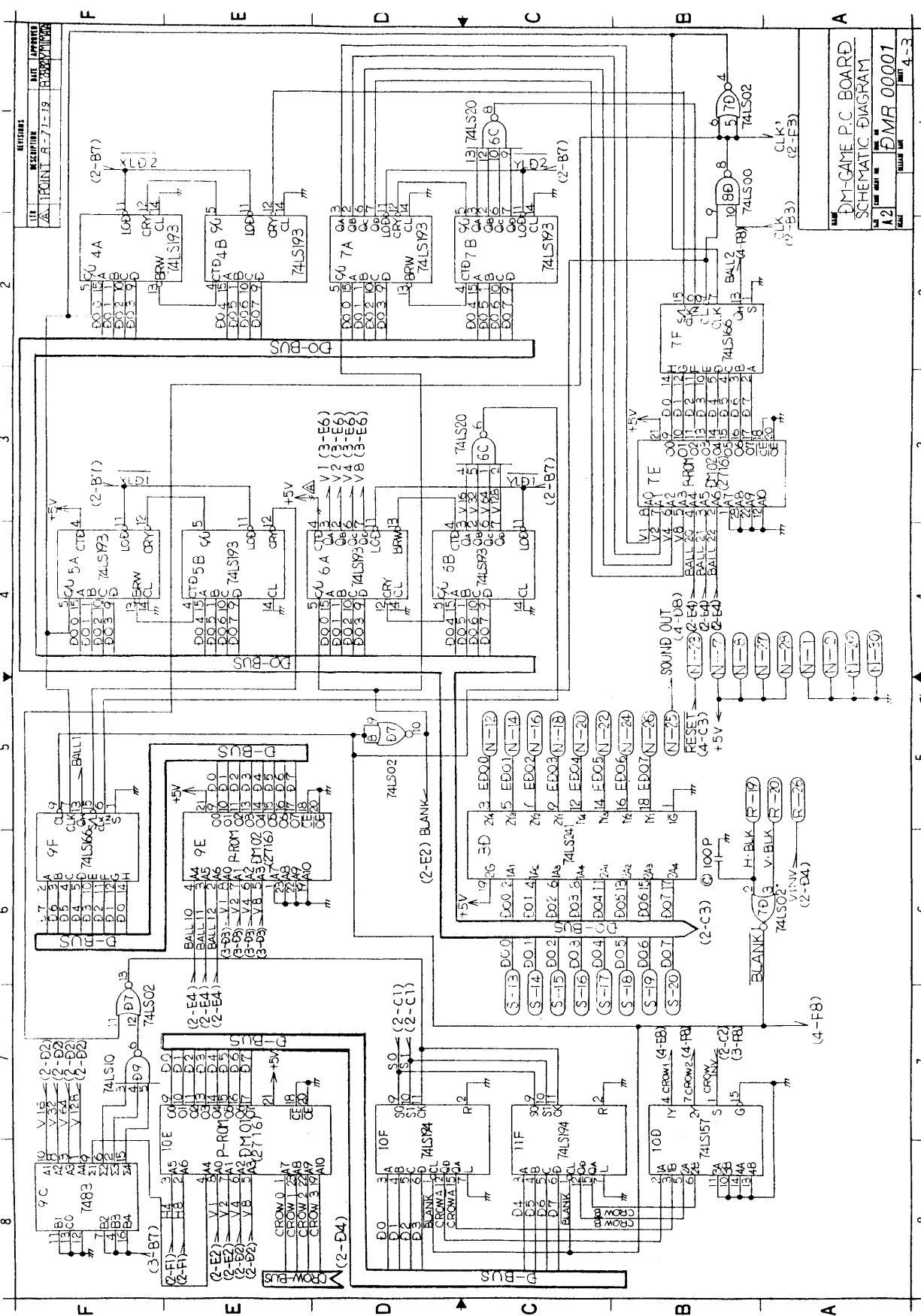
8 7 6 5 4 3 2 1  
F E D C B A



REV	DESCRIPTION	DATE	APPROVED

FM-CPU PCB BOARD  
 SCHEMATIC DIAGRAM  
 DATE: 1988-08-11  
 DRAWN BY: J.2  
 CHECKED BY: J.2  
 PROJECT NO: EMR 00002A  
 SHEET NO: 5-1





REVISIONS  
 NO. 1  
 DESCRIPTION  
 1. POINT A-7-19  
 2. REVISION

DM-GAME P.C. BOARD  
 SCHEMATIC DIAGRAM  
 1.2  
 DMR 00001  
 DATE 11-1-78  
 DRAWN BY

1 2 3 4 5 6 7 8

F E D C B A

DO-BUS

5V 4A (2-B7)

5V 5A (2-B1)

5V 6A (3-E6)

5V 7A (2-B7)

5V 8A (4-DB)

5V 9A (4-C3)

5V 10A (2-E2)

5V 11A (4-F8)

5V 12A (2-D4)

5V 13A (2-C1)

5V 14A (2-C2)

5V 15A (2-C3)

5V 16A (2-C4)

5V 17A (2-C5)

5V 18A (2-C6)

5V 19A (2-C7)

5V 20A (2-C8)

5V 21A (2-C9)

5V 22A (2-C10)

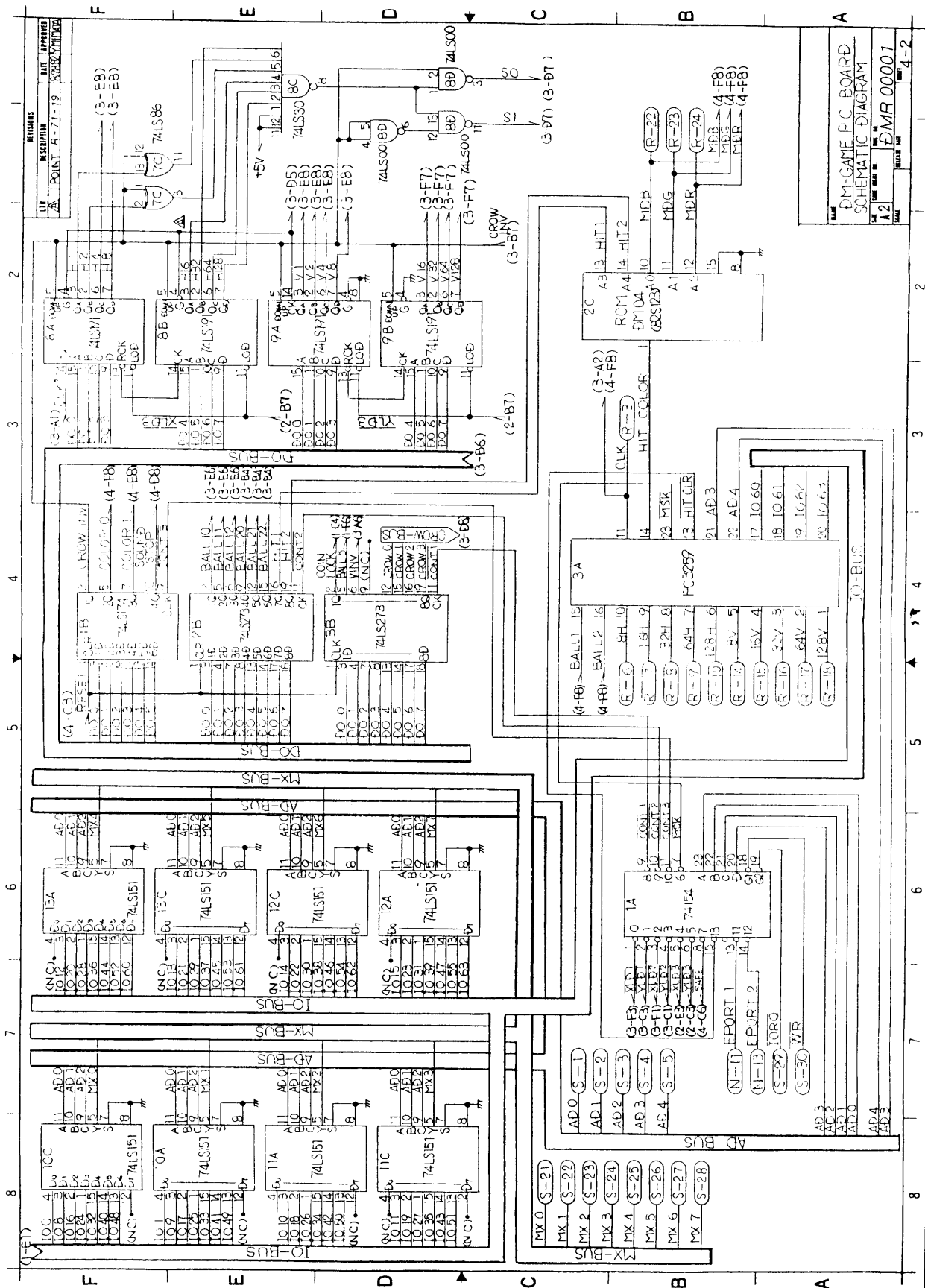
5V 23A (2-C11)

5V 24A (2-C12)

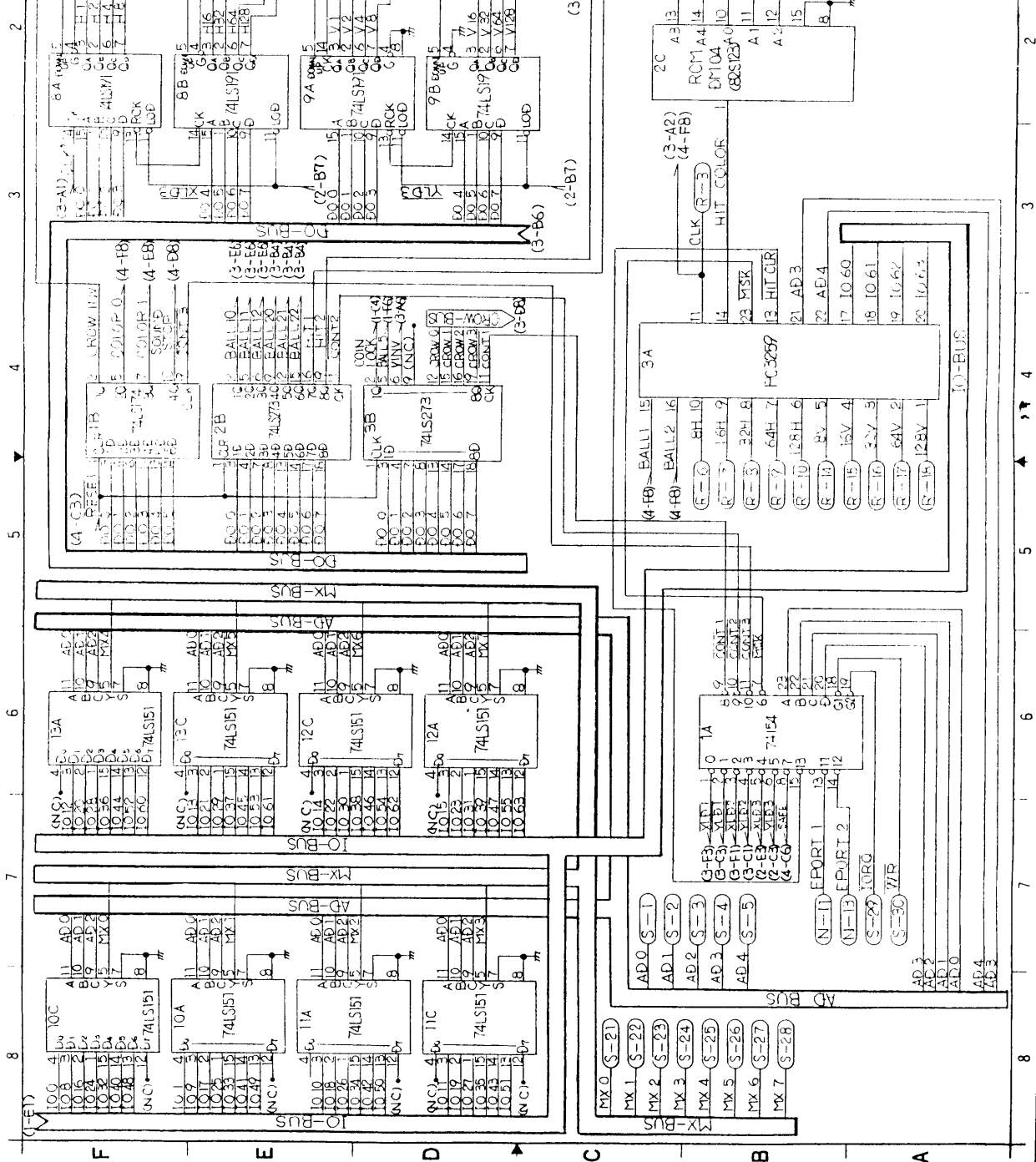
5V 25A (2-C13)

5V 26A (2-C14)

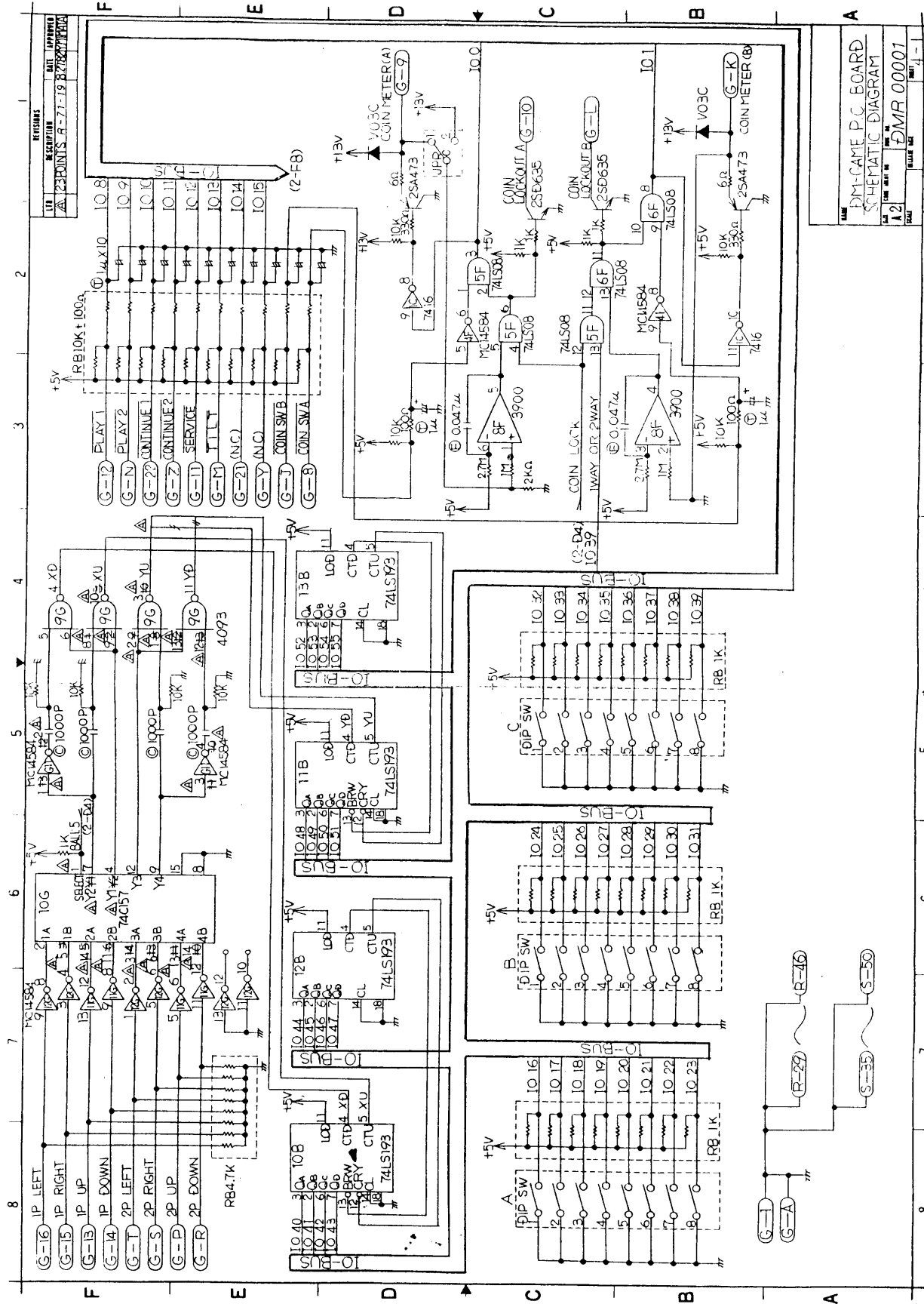
5V 27A (2-C15)



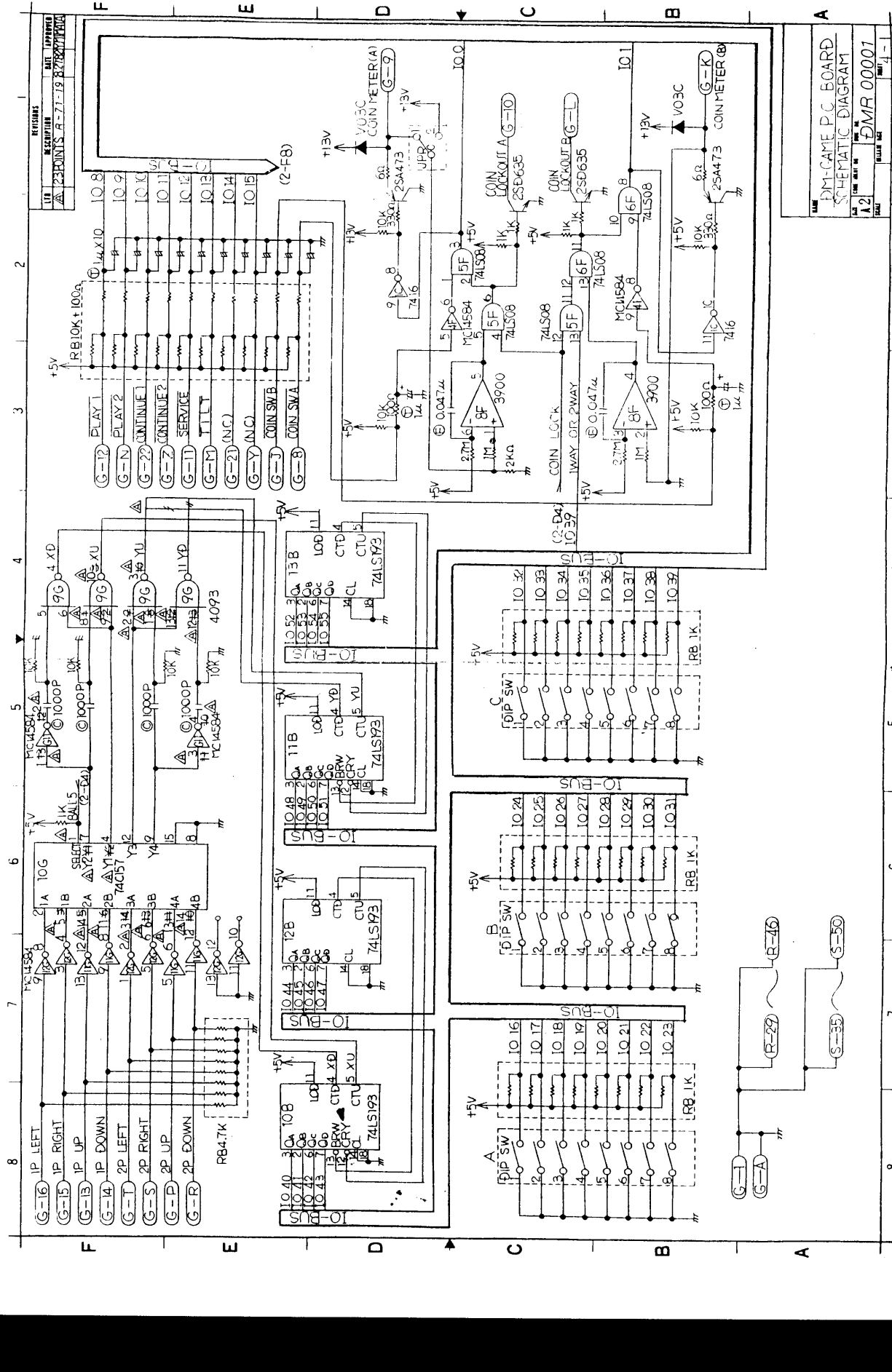
DM-GAME P.C. BOARD  
SCHEMATIC DIAGRAM  
DMR 00001

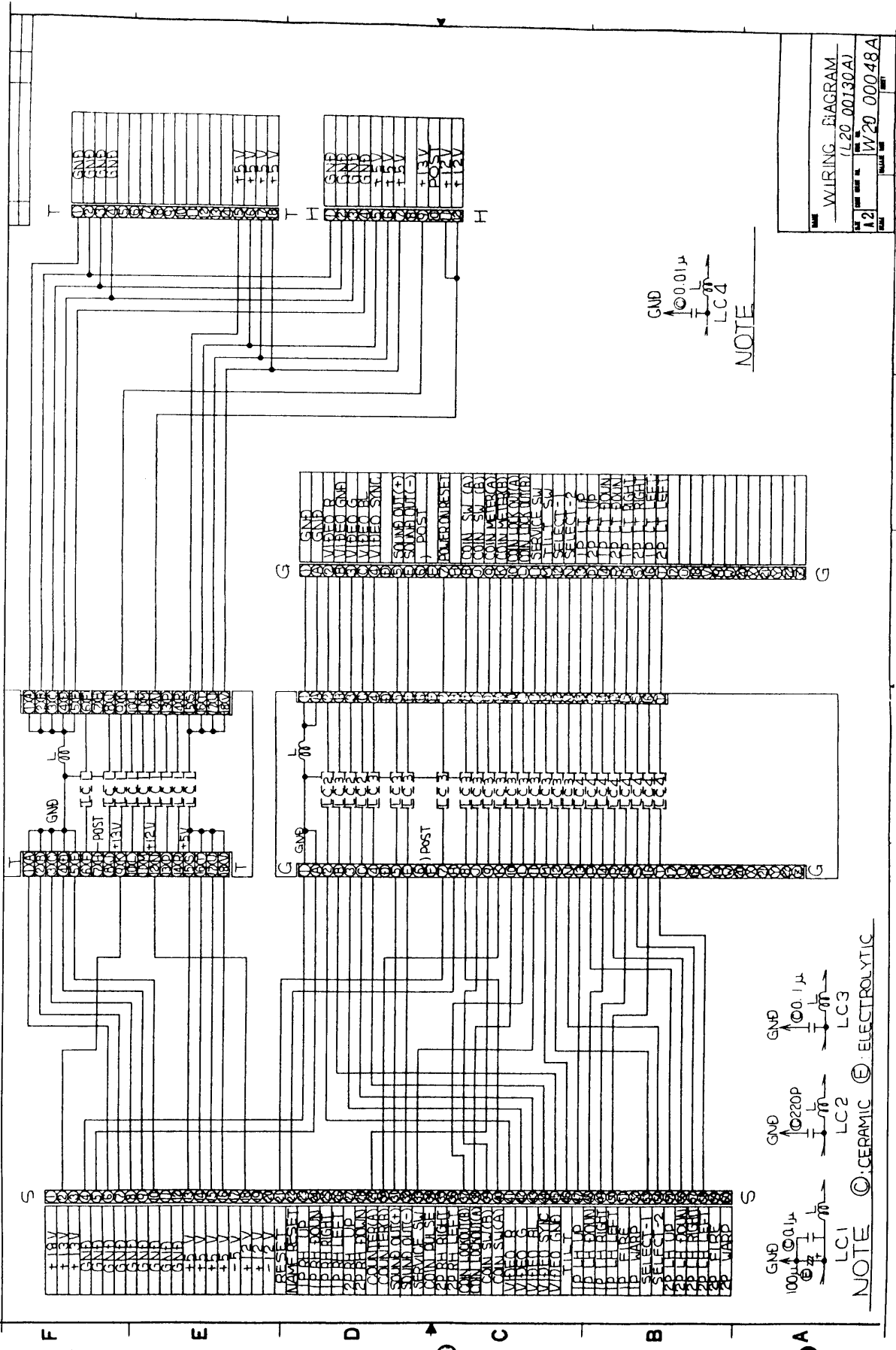


DM-GAME P.C. BOARD  
SCHEMATIC DIAGRAM  
DMR 00001



DM-CAME PC BOARD  
SCHEMATIC DIAGRAM  
A 2  
DMR 00007





WIRING DIAGRAM  
 (L20\_00130A)  
 W20\_00048A

NOTE  
 GND  $\uparrow$   $\odot$  0.01 $\mu$   
 LC4

NOTE  $\odot$  CERAMIC  $\ominus$  ELECTROLYTIC  
 GND  $\uparrow$   $\odot$  0.01 $\mu$   
 LC1  
 GND  $\uparrow$   $\odot$  220P  
 LC2  
 GND  $\uparrow$   $\odot$  0.1 $\mu$   
 LC3