



Operation, Maintenance and Service Information

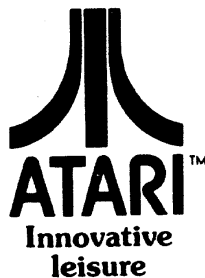


TABLE OF CONTENTS

| <u>Sec.</u> | <u>Title</u> | <u>Page</u> |
|--|---|-------------|
| Section 1. General Maintenance Information | | |
| 1-1. | Introduction | 1-1 |
| 1-2. | Warranty | 1-1 |
| 1-3. | New Machine Setup Procedure | 1-2 |
| 1-4. | Service Access | 1-2 |
| 1-5. | New Machine Checkout | 1-3 |
| 1-6. | TV Adjustment | 1-3 |
| 1-7. | Coin Acceptor: Operation, Adjustment and Maintenance | 1-5 |
| 1-8. | General Machine Maintenance | 1-7 |
| Section 2. Circuit Description | | |
| 2-1. | Play | 2-1 |
| 2-2. | Circuits | 2-2 |
| | 1. Sync | 2-2 |
| | 2. Coin/start | 2-2 |
| | 3. Planes | 2-3 |
| | 4. Missiles | 2-4 |
| | 5. Hit detection/score | 2-4 |
| | 6. Launchers | 2-5 |
| | 7. Angle/firing controls | 2-5 |
| | 8. Sound | 2-6 |
| | 9. Power supply | 2-7 |
| | 10. Video mixing | 2-7 |
| 2-3. | Setup Procedure | 2-7 |
| | 1. Game time | 2-7 |
| | 2. Volume control | 2-7 |
| Section 3. Customer Service Information | | |
| 3-1. | Test Equipment | 3-1 |
| 3-2. | Required Equipment | 3-1 |
| 3-3. | Optional Equipment | 3-1 |
| 3-4. | Troubleshooting | 3-2 |
| 3-5. | PCB Shipping | 3-4 |
| 3-6. | Logic Type and Function List | 3-4 |

1. GENERAL MAINTENANCE INFORMATION

1-1. INTRODUCTION

The Atari Anti-Aircraft II game consists of a cabinet, TV monitor, a printed circuit board (PCB) computer, interconnecting wiring, and various cabinet-mounted circuit components. Except for a schematic, no information about the TV monitor is presented in this manual. The TV monitor is a Motorola XM501 unit. TV circuit malfunctions can be solved using standard TV troubleshooting techniques. However, the PCB computer requires troubleshooting techniques that may be unfamiliar to the average technician. Therefore, the troubleshooting information in the manual is mainly devoted to the PCB computer and its associated cabinet circuitry.

1-2. WARRANTY

Be sure to return the enclosed warranty card immediately upon unpacking your Atari game, to ensure continued protection under the terms of the warranty.

This game has been designed with solid-state circuitry to be as maintenance-free as possible. However, as with all mechanical or electrical devices, there may be minor problems. If the PCB fails within the 90-day* warranty period, contact the distributor from whom the game was originally purchased for replacement or repair instructions. Any PCB repairs attempted by anyone other than authorized Atari Service Center personnel will void the warranty. If the PCB fails after the warranty period has expired, it will be repaired for a nominal parts and labor charge.

Atari, Inc. warrants the TV monitor for a period of 30 days commencing the day of shipment from the Atari factory. If the monitor fails within that period, immediately contact the distributor from whom the game was originally purchased for repair or replacement instructions. Any TV repairs (other than replacement of fuses or adjustments) attempted during the warranty period by anyone other than authorized Atari Service Center personnel will void the warranty.

*from date of shipment from the factory

If the TV monitor fails after the warranty period has expired, it may be returned to the distributor where it will be repaired for a nominal parts and labor charge, or it may be taken to any competent TV repair shop.

1-3. NEW MACHINE SETUP PROCEDURE

Before turning this machine on, inspect it carefully for any damage that may have occurred during shipment. Inspect both interior and exterior of the machine for any obvious damage to the cabinet or internal components. Check for cracked or broken cabinet parts, assemblies pulling loose, broken or disconnected wires, or foreign objects shorting electrical connections. After the machine has been plugged in and turned on, perform the checkout procedure.

1-4. SERVICE ACCESS

All servicing is performed at the rear of the machine through the rear door that provides access to all components, sub-assemblies, and adjustments except for the coin box. The coin door is located on the front of the machine underneath the control panel. To remove the coins, unlock the metal coin door with one of the two keys provided and open. This exposes the coin box.

To reach the interior of the machine, unlock and remove the rear door. Please note that an interlock switch is provided for this door so that the machine is completely turned off whenever this door is opened. These switches protect the operator from accidental shock and thus must ALWAYS be kept in perfect working order. If the machine is adjusted or tested with the rear door open, the interlock switch must be placed in the closed (or "on" position) by pulling out the white actuator shafts.

WARNING: The covered black terminal block carries full line voltage whenever the line plug is connected to a power outlet. This cover should be removed only with the line plug disconnected. Do not leave off the cover once it has been removed.

1-5. NEW MACHINE CHECKOUT

As each new machine leaves the factory, every component and subassembly is carefully checked for proper operation. However, since parts may have been damaged or adjustments changed during shipping, the following checkout procedure must be repeated prior to placing the machine on location:

1. Carefully inspect the interior of the machine to see that all solder joints, slip-on connectors and plug-in type connectors are firmly seated. Pay particular attention to the PCB edge connector, the fuses and any connectors to the potentiometers. Also check the connections to the coin switch, the TV monitor, the interlock switches and all the other Molex-type connectors.
2. Plug the machine in, and pull out the white actuator shafts of the interlock switches if the rear door is open. Inspect the cathode ray tube (CRT) image for a steady and sharp picture that exhibits the proper levels of brightness and contrast.
3. Insert several old and new coins into the coin acceptor. No genuine coin should be rejected and each coin insertion should advance the coin counter one digit. Depress the coin rejector button to make sure the linkage is operating smoothly.
4. Coin insertion should start the game. Check for proper game sequence, making sure that all aspects of the game are functioning correctly.
5. The door locks should turn to the locked and unlocked positions smoothly and the doors should open and close without binding.
6. The interlock switches must turn off the entire machine when the rear door is opened.

1-6. TV ADJUSTMENT

Monitor circuitry includes four stages of video amplification -- a two-stage audio amplifier, sync and deflection circuits, and a regulated power supply. An additional 5-volt supply is included to power the external logic system.

The adjustment of the TV monitor functions like that of a normal TV set. The only exception is that the TV's audio portion is not used. The volume control is located on the PCB. The CRT image is adjusted through the rear door.

1. Brightness: Adjust the brightness, then the contrast. Adjust so that the CRT background is as dark as possible.
2. Contrast: Adjust so that images displayed on the CRT are as bright and clear as possible without being blurred or smeared.
3. Vertical hold: Adjust the vertical hold only if the picture is rolling up or down the screen. Adjust for a centered picture by turning the control to the middle of the stable range.
4. Horizontal hold: If the picture is slightly off-center horizontally, if the images appear warped, or if the picture is broken into a series of diagonal lines, adjust the horizontal hold same as vertical hold.
5. Yoke: The yoke should never need adjustment unless the controls have been tampered with or the machine damaged. If yoke adjustment is necessary, adjust both yoke rings simultaneously for optimum centering of the image on the CRT. This adjustment is best handled by a qualified service person.
6. Five-volt supply: This is located on the power/audio PCB which is on the left side of the monitor behind the power transformer. There is a 1000-ohm trimpot to adjust the supply voltage. This measurement should be made on the logic PCB to allow for a voltage drop between monitor and PCB.
7. Regulator adjustment: Connect monitor to AC line supply. Adjust horizontal and vertical controls until display is synced. Connect a precision voltmeter to any of the 73-volt test points and adjust regulator control R74 on PCB for an output of 73 volts. CAUTION: Do not run the regulator control through its range or you may damage the monitor. Only a slight turn is necessary for proper adjustment. Both the 5-volt and 73-volt adjustments have been made at the factory and under normal conditions should not need readjustment.
8. AC voltage switch: Set this switch to the 115V position ("115" visible on the switch) if the machine is connected to a 115-volt source. Set it to the 230V position ("230" visible on the switch) if the machine is connected to a 230-volt source. The TV monitor will not function if this switch is misadjusted. NOTE: If the monitor of a 230-volt machine is set to 115 volts, it will blow the machine line-fuse repeatedly.

9. TV monitor fuse: One 6/10-amp, 250-volt fast-blow fuse protects the TV from electrical overload (for 155-volt operation, the TV fuse must be 1-amp fast-blow). Replace blown fuses ONLY with those which have the above rating. This fuse is located on the electronics mounting board inside the rear door. The fuse farthest from the door is the TV fuse, and the fuse nearest the door is the PCB fuse. The PCB fuse should be replace ONLY with a one-amp, slow-blow, 250-volt fuse.
10. Monitor PCB removal:
 - (a) Power/audio PCB: Locate board on the left side of the monitor behind the power transformer. To remove, pull board up. To replace board, locate the slot between pins 3 and 4, and hold this side on your left; then insert board into the connector.
 - (b) Monitor PCB: To remove, use a screwdriver or similar object and slowly pry up off of the chassis until it clears the pins. Next, unplug the socket from the yoke and slide board out. To replace this board, follow the above steps in reverse order.

The monitor can be removed through the cabinet's rear access door. This door also provides access to the logic PCB, transformer assembly, and main harness connectors.

CAUTION: Any work performed on monitor chassis should be done only by qualified service personnel who are familiar with servicing procedures and precautions.

1-7. Q-530 COIN ACCEPTOR: OPERATION, ADJUSTMENT AND MAINTENANCE

All coin acceptors leave the factory adjusted for maximum performance. If, however, more critical adjustments are desired, or if the unit has been completely disassembled for service, the following adjustment procedure is suggested. If the coin acceptor has been removed from the machine, place it in a vertical position on a level surface. If the acceptor is still mounted on the coin door, place the coin door in a vertical position on a level surface. See exploded coin acceptor and mechanism drawings on page 1-8.

1. Kicker and separator
 - (a) Set the acceptor with the back of the unit facing you in the test position.
 - (b) Loosen the screws holding the kicker (1) and the separator (3) and move both the kicker (2) and the separator (4) as far to the right as they will go. Tighten the screws.

- (c) Insert several test coins (both old and new) and note that some are returned by striking the separator.
- (d) Loosen the separator screw and move the separator a slight amount to the left. Tighten the screw.
- (e) Insert the test coins again and, if some of them are still returned, repeat step (d) until all the coins are accepted.
- (f) Loosen the kicker screw and move the locker as far to the left as it will go. Tighten the screw.
- (g) Insert the test coins and note that some are returned.
- (h) Loosen the kicker screw and move the kicker a slight amount to the right. Tighten the screw.
- (i) Insert the coins again and, if some are still returned, repeat step (h) until all the coins are accepted.
- (j) Be sure that both screws are tight after the adjustments have been made.

2. Magnet gate

- (a) Set the acceptor with the front of the unit facing you in the test position.
- (b) Turn the magnet gate adjusting screw (2) out or counterclockwise until none of the coins will fit through.
- (c) With a coin resting in the acceptor, turn the adjuster in or clockwise until the coin barely passes through the magnet gate.
- (d) Test this adjustment using several other coins, both old and new, and if any of them fail to pass the magnet gate, repeat step (c) until all the coins are accepted.
- (e) Fix the magnet gate in this position with a drop of glue or LoctiteTM, if necessary.

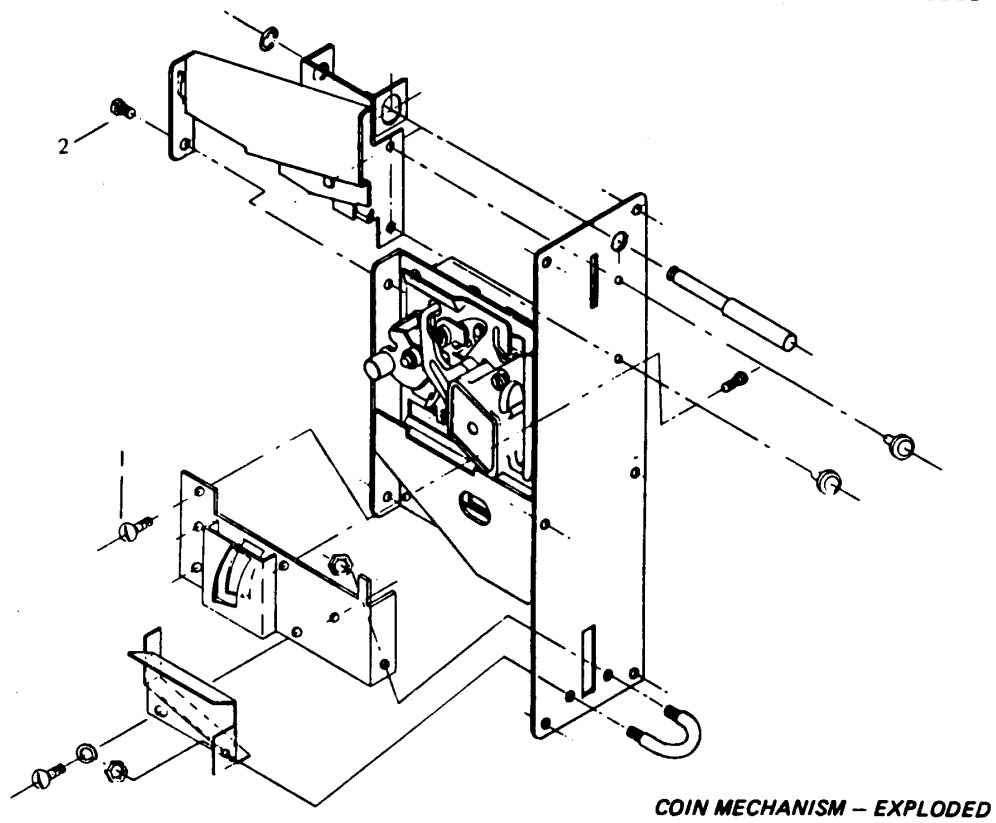
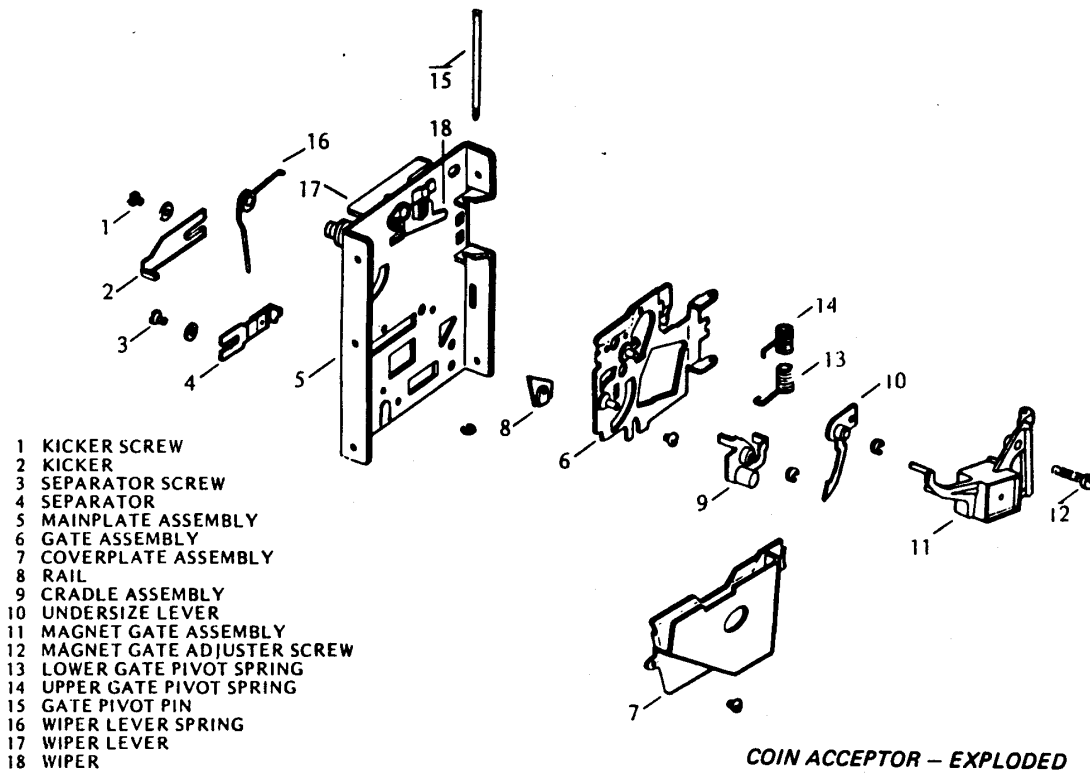
3. Acceptor maintenance

Depending on the environment in which the acceptor is used, periodic preventive maintenance should be performed. The mainplate (5) may be cleaned with any household cleaner. Thorough rinsing and drying are necessary to remove deposits and/or film. Remove all metal particles from the magnet by guiding the point of a screwdriver or similar tool along the edges of the magnet. You will notice that the particles will cling to the point of the tool. Remove the transfer cradle (9)

and the undersize lever (10) and clean the bushings and the pivot pins. A pipe cleaner is an effective cleaning tool. Apply powdered graphite or pencil lead to the pivot pins and bushings and reassemble. Spray the entire unit lightly with WD-40[®], a silicone lubricant.

1-8. GENERAL MACHINE MAINTENANCE

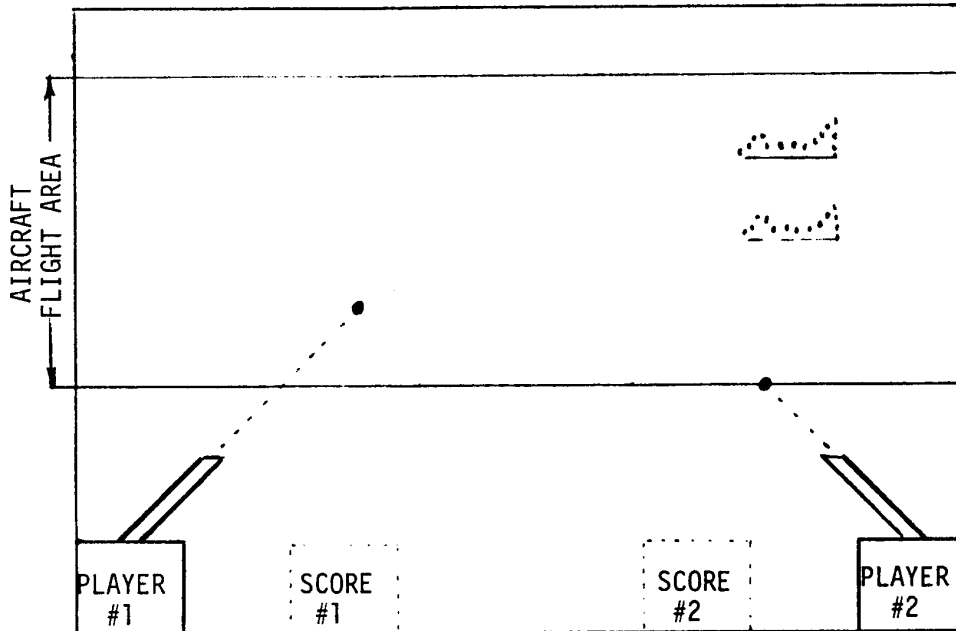
Due to its solid-state circuitry, your machine will require very little maintenance other than periodic cleaning, lubrication and TV monitor adjustment. The cabinet and plexiglass screen may be cleaned with any non-abrasive household cleaner. The coin acceptor and the rejector linkage should be sprayed lightly once every three months with WD-40[®] or similar silicone lubricant. The potentiometer shafts must never be lubricated in any way. The TV monitor is adjusted only when the CRT picture is distorted, or if the contrast or brightness appear to be out of adjustment.



2. CIRCUIT DESCRIPTION

2-1. PLAY

The picture below shows the normal game:



Attract: In the attract mode, the guns are locked in the center-aimed position, and are continuously firing. The aircraft fly over the guns either singly or in pairs, from the right or the left within the aircraft flight area. If an aircraft should be hit by a shell directly or by an exploding shell, it will disappear. During the attract mode, the score is disabled, as are the sound and player controls.

Play mode: Anti-Aircraft II is a two-player game that has an operator-selected option of one or two games for a quarter. The game incorporates a coin mechanism and a start button. Each player (#1 on the left and #2 on the right) has an antiaircraft gun that positions itself in any of three positions and then fires when the proper control button is pushed. The object of the game is to shoot down more aircraft than your opponent does in the time allotted.

2-2. CIRCUITS

1. Sync

The sync circuit located at C- and D-8,7,6,5 on page 1 of the schematic is a semi-synchronous sync circuit. Its standard crystal is 14.318 MHz. The bits clock through 128H are fully synchronous; the rest of the bits are asynchronous. H sync is set by HRESET after 457H counts is 32H long. The vertical sync divide-by-260 section clocked by HRESET has a VSYNC of 8V.

2. Coin/start

The coin/start circuitry is located at C- and D-1,2,3,4 of schematic page 1 and includes devices F9, F8, E9, the electronic latch located at D-2, page 1, E8, D8, and D9. When the coin switch or coin mechanism external to the PCB is activated, a square wave pulse is proportional in length to the amount of time the coin used to activate the mechanism. The square wave pulse is present at the R-S flip flop, the latter being comprised of two inverters, F9 pin 4. This pulse is fed into the discriminator made up of two D-type flip flops (F8). This circuit determines whether or not the pulse was long enough to be a genuine coin pulse or just a switch bounce that can be induced by pounding on or near the coin mechanism. If the pulse is long enough, it is passed along and sets the electronic latch. At this point, F9-8 goes low enabling the credit light and F9-10 goes high (Q goes high) which releases the D-type flip flop D8-1, the timer D9, and the attract flip flop D8-10. Now when the start switch is depressed by a player, START (D8-5) goes high, ATTRACT (D8-9) goes low, and the timer is set. Depending on the PLAY TIME pot (1 meg, R36), the game will last between 30 seconds and three minutes, and at the control's center position will last approximately 90 seconds. At the end of the timing sequence, D9-5 will go low, transmitting a rising edge to D8-11, which clocks ATTRACT high. If the one-play/two-play switch (located D13, page 1) is in the one-play position when ATTRACT goes high, E9-8 will go low, dropping the electronic latch out and inhibiting the start circuitry. If, however, the switch is in the two-play position, ATTRACT will have to go high once more (at the end of the next game) in order to drop out the latch. Thus the start circuitry will not be inhibited and a push on the start switch will start game #2.

3. Planes

The plane motion circuitry and exact shape-generating systems are located near A- and B-3,4,5,6,7,8 of schematic page two.

The normal horizontal-motion circuit is comprised of counters H1 and F1 and flip flop F2 at the end of the counters. The horizontal speed and direction are determined by the speed code presented at pins 4,5, and 6 of counter H1. The code presented at these pins will make the count chain either two counts longer or shorter than the horizontal sync chain, meaning the horizontal window will move either two counts per frame to the right or to the left respectively. The direction then is determined by $\overline{\text{DIR. SEL}}$ (F2) being clocked by a random clock during plane reset, and the speed is fixed at two counts per frame. The horizontal window is 16 counts wide and is determined by AND gate H2-1 and -2; the horizontal window is present at H2-3.

The vertical motion circuit is unusual because it does not produce actual movement, but rather windows 8V wide. It produces two windows 8V wide at D3-6 displaced by 8V. These windows can be anywhere between 64V and $64 + 128 = 192V$, dictated by J2, an exclusive OR. These two windows are impressed upon D2-3 and D2-11 and if the other inputs to the respective gates are satisfied, a vertical window will be at D2-6 and another window displaced by 8V will be at D2-8. Each window will be 8V wide. The reasons for the other inputs not being satisfied would be if flip flop D1-6 came up high due to random clocking during plane reset, or if either plane were hit. Such a hit would cause a HIT DETECT pulse at C2-9 and C2-12 at the same time there is a high at C2-10 or C2-13 (depending on which window area the plane was hit in). In addition, this hit would cause a reset of the flip flop that controls that plane window.

The vertical and horizontal motion circuits are summed at H2-10 and -9 to produce one or two windows 8V high and 16H long at H2-8, called PLANE EN. The actual shape of the plane is contained in ROM K1 which is a programmed 82S23 PROM. The picture is brought out of the ROM one H line at a time (seen as a vertical line 1H wide and 8V tall on the screen), from either the left or right, depending on direction of plane, and therefore level with DIR. SELECT. This one line brought to the outputs of the ROM is strobed from top to bottom by the 9312 (L1). The PLANE is thus brought

out one H line at a time serially at L1-15 in correspondence with the PLANE EN window(s).

4. Missiles

The right and left missile circuits are exactly the same in construction; for the sake of simplicity we examine the right missile circuit located around B-1,2,3,4 of schematic page 1.

These two missile circuits are standard motion circuits. The horizontal motion count chain is made up of counters M8, M7, and F7 with some external gating. The NAND gate N8-3 keeps the circuit at reset until the right gun is fired or until N8-1 goes low while N8-2 is low (when the CRT is scanning the missile base). The speed of the missile is determined by the speed code present at counter M8, pins 4, 5, and 6. This speed code is in turn determined by RA and RB as shown by the external gating. The level of RA and RB is determined by the launcher's position at firing time as shown by the table at A-7 and -8 on schematic page 2.

In a similar fashion, the vertical-motion counting chain is made up of L7, L8 and external gating. The vertical speed code presented at L7-3, -4, and -5 is also dependent upon the position of the launcher at firing time and thus RA and RB. The circuit comprised of K7, H7, J2, L6, and H6 is used to display an exploding shell at the proper time.

5. Hit detection/score

This circuit is located on schematic page 2 and covers most of the page's upper half; the circuit starts in the C-7 and C-6 area and proceeds to the right and up. The two 9602s B1 control the explosion sequence. As shown by the gating directly before them, the right missile window comes in contact with the V plane window, A2-1 and -2 go high and thus H2-3 goes high, triggering 9602 B1-4 which initiates the explosion sequence. In a like manner, if the left missile window comes in contact with V plane window, the explosion sequence will be initiated. These are not necessarily aircraft hits but rather hits on the lowest plane window or closest to the guns. Such a hit will cause the shell to explode in the path of the lower aircraft.

If the aircraft is hit directly by a shell or flies into an exploding shell, it will be counted as a hit for the player who fired the shell. The hits are produced by the outputs of B2-8 and B2-11; the latter will go low if

the respective missile comes in contact with the plane window. This low produces a clock pulse at the appropriate score-counting chain, C4-14 or B4-14 (left score or right score respectively). These scores are multiplexed by the two 74153s, A4 and A5, and are brought into the 7448 BCD-to-seven-segment decoder A6 at the proper times for display on the screen. The outputs of the 7448 (A6) are fed into B6 and A7 that provide the actual shape of the individual seven-segment display. Part of the gating below the two 74153s, A4 and A5, is used to make the missile bases as shown by the composite output of B3-5 (score and missile bases).

6. Launchers

The launcher circuitry is located around A- and B-9,7,6,5 on page one of the schematic. The circuitry for the left and right launchers is essentially the same, so we will examine only the right launcher located near B7 and A7, including devices M5, L4, M4, and N5, and surrounding gating. Simply speaking, RA and RB were previously found to be related to the horizontal and vertical speeds of the missile and hence the angle of the missile. RA and RB are fed into the select lines of the two multiplexers M5 and L4. The inputs of the multiplexers are various H counts. When properly selected by RA and RB (depending on which control button is pushed), these H counts are transmitted via the outputs of the multiplexers and the comparator M4 (the 4-bit digital comparator 7485). At M4, these H counts are compared with V counts to produce a launcher barrel line of the appropriate angle for the motion of the missile. Note that V counts are inverted and thus reversed for the left launcher to provide an opposite angle or mirror image of the right one. These signals are then brought into a one-shot (9602) E1 for both launchers; the width of these lines is determined by the RC time constant of C25 and R39. Thus we have a thin line made into a barrel by E1.

7. Angle/firing controls

This circuit is located at B- and C-8,7,6,5 of the schematic's page one. SW1 through SW6 are the external controls used by the players to control the angle of the launchers and the firing of the missiles. The actual angle of the launcher and which launcher is being controlled are shown by the chart at C8, just above the switches. The multiplexer J9 is con-

tinuously being selected by 1H and 2H. The timing between these H counts and the outputs of J9 determines the levels of RA, Rb for the right player and LA and LB for the left player, as produced by the interconnecting flip flops K8 and K9. In turn, the outputs of J9 depend on the button pushed. If a button is not pushed, the angle of the launcher will remain the same; when a button is pushed, the angle will change, the missile will fire, and it remains at this new angle until a different button is pushed. Farther to the right on the schematic are the FIRE RIGHT and FIRE LEFT control flip flops. These flip flops are cleared when a fire button on the proper side is pushed. The complement output \bar{Q} of these flip flops disables the multiplexer J9 during the firing sequence to prevent changing the launcher angle during launch. The fire signal is clocked away; thus the multiplexer is released when the missile hits something (plane or V plane window) or when the missile goes off into blanking.

8. Sound

The sound circuit is located on page two of the schematic near B- and C-1,2,3. Q4 (2N3643) and surrounding resistors and capacitors R38, R36, S24, and C29 comprise a noise-generating circuit. Noise output should be around 100 MV. B10 is a band pass network with the second half of B10 used to amplify the desired frequency range.

The output at B10-10 is fed into B9-2. B9 is a NOR gate being used as a feedback amplifier. B9-1 is normally high and therefore the output B9-3 is normally at a low potential. When a low is placed on the cathode of D2 capacitor, C3 (1 mf) is discharged through R4 and brought to near ground potential. At this point B9-1 is low and the amplified sound of B9-2 is allowed to pass through the MOS gate. This gate can be thought of as an analog gate, since a normal NOR gate would not pass an analog signal. C3 immediately begins to charge up through R3 and the point B9-1 begins to rise in potential. The effect of B9-1 rising in potential is to diminish the amplitude of the output at B9-3 until B9-1 reaches a high enough level; at this time it causes a solid low at output of B9-3. This output is summed at the input of the LM380, A9, and is used as the distant explosion (no aircraft hit) sound. In a similar manner, the explosion (direct hit) is brought through B9-9 to B9-10 after one more stage of amplification. The control, however, is the same at B9-8 as it was at B9-1 for distant explosion.

The missile whistle is caused when the missile is fired. D9 is a free-running oscillator (555) whose output to C19 is a triangular wave with a period of 60 ms. This output is fed into the 566 (C9) pin 5. The oscillation of C9 depends on the RC time constant between R26 and C18. However, if the side of R26 labeled MISSILE WHISTLE is low, the oscillator will not function and there will be no output at C9-4. When a missile is fired and throughout its flight, MISSILE WHISTLE goes high enabling the 566 (C9). The output of this device is a triangular wave that starts out at a period of about .5 ms and extends to a period of about .9 ms at the end of the firing sequence.

9. Power supply

The power supply is a standard on-board full-wave rectifier using an LM323 voltage regulator for the 5 VDC power supply. The negative supply also uses a full-wave rectifier (D12 and D11) with a 5.6V zener across a 1000 μ f capacitor to provide -5.6V at 4 ma.

10. Video mixing

The video mixing network located at A4 and -5 on page 1 of the schematic resistively sums the different video wave forms to one common node and then passes them on to the video monitor through video cap.

2-3. SETUP PROCEDURE

1. Game time

The game time pot is located at D-9 on the PCB and is labeled "play time." Looking down the board toward the edge connector, the play time is increased by turning it clockwise. The normal game time should be between 90 and 100 seconds. This is achieved by turning the pot to its center position and timing the game. Then turn the pot in the correct direction until proper game time is achieved.

2. Volume control

The volume control pot is located at A-9 on the PCB. Looking down the board toward the edge connector, the volume is increased by turning the pot counterclockwise. Adjust volume to desired level.

3. CUSTOMER SERVICE INFORMATION

3-1. TEST EQUIPMENT

In order to test any Atari PCB, some items such as the logic probe are absolutely essential. Others are desirable and will make the test procedure easier but are not absolutely essential. Some of these instruments are available from the Atari Customer Service Department and are: the Kurz-Kasch 520 Logic Probe, the Atari Video Probe, and the Hewlett-Packard 10529A Logic Comparator. Other instruments that are very useful are the HP 10526T Logic Pulser and the Tektronix 465 Oscilloscope. These items are available through your local electronics supply house.

3-2. REQUIRED EQUIPMENT

The following items are essential to perform the test procedures presented in this manual:

1. Logic probe: This instrument is designed for checking the outputs of integrated circuits. The Kurz-Kasch Logic Probe, Model No. LP-520, which is available through the Atari Customer Service Department or most large electronics supply houses, is recommended. This logic probe indicates if a signal is a logic high, logic low, or changing from one state to another. Consult the operating instructions included with the probe for further details about its operation.

2. Video probe: This probe is a very simple but extremely useful device and consists of two test clips, a length of rubber-coated, test lead wire, and a 4.7K, $\frac{1}{4}$ -watt carbon resistor. Video probes may be obtained from the Atari Customer Service Department or, if necessary, they can be assembled from standard components available at all electronics supply houses.

3-3. OPTIONAL EQUIPMENT

It is possible to find 90% of the possible PCB computer malfunctions without the following items. However, if a complete set of troubleshooting equipment is desired, Atari recommends the following:

1. Hewlett-Packard 10529A Logic Comparator

This device is used to verify correct IC operation. It simply clips onto in-circuit ICs and instantly displays any logic state difference between the in-circuit test IC and the reference IC in the comparator. Logic differences for each pin of a 14 or 16 dual in-line package are indicated by a lamp on the comparator. If the logic comparator is purchased from the Atari Customer Service Department, it is shipped with 20 pre-programmed reference PCBs. If the device is purchased elsewhere, these PCBs must be specially programmed.

2. Hewlett-Packard 10526T Logic Pulser

This device is used to stimulate in-circuit ICs so that they are driven to their opposite states. This device is available from the Atari Customer Service Department or can be obtained from most large electronics supply houses.

3. Tektronix 465 Oscilloscope

This oscilloscope is used for viewing various wave forms and should be ordered from Tektronix. Consult the manufacturer's operating instructions for details on oscilloscope operation.

3-4. TROUBLESHOOTING

The first step in any troubleshooting procedure is to observe the characteristics of the malfunction. With these clues in mind, examine the areas of the machine that might cause these symptoms. For example, if there is no power, check the harness -- not the PCB. Likewise, if part of the playfield display is missing, check the PCB -- not the harness or TV.

Three major areas of the game can be isolated for troubleshooting purposes: the TV, the PCB, and the harness. The harness includes the fuses, the transformer, the interlock switches, the AC line filter, the start and coin switches, the antenna wire, the potentiometers, all plug-in type connectors, the PCB edge connector, and all the interconnecting wires.

1. Substitution: Substitution of parts is a legitimate and easy way to troubleshoot the machine. For instance, if you suspect a PCB malfunction, try substituting another known-to-be-good PCB. To check the TV monitor

by substitution, connect the malfunctioning game to a known-to-be-good monitor. Harnesses are checked by elimination. Substitute a good TV and PCB, and if the malfunction persists, the harness must be at fault.

2. Other troubleshooting tips: If you have only a TV raster* and you want to determine if the PCB or the TV is causing lack of video display, try the following test:

- (a) Disconnect the PCB edge connector;
- (b) Turn the brightness and contrast all the way up;
- (c) Touch video input to TV, pin 10 on PCB edge connector.

If your TV monitor is functioning correctly, you will see faint black bars or "hum bars" on the screen.

3. Troubleshooting by symptom:

- (a) No power: Check for correct line voltage. If correct, check fuses and interlock switches. If these are alright, check transformer primary, which should show line voltage. Then check transformer secondary (pins 3 and 21), which should be 10 VAC with respect to ground.
- (b) Game credit shuts off: Try cutting the antenna wire shorter in increments of 1-2 inches.
- (c) Game credit shuts off and/or TV picture shrinks: Check line voltage with VOM and be aware that a large motor nearby (such as an air conditioner) may drop line voltage when starting up.
- (d) No picture or raster: Check to see if TV connector is plugged in; check for line voltage at TV, and whether the latter's AC voltage switch is set to correct position. Check TV fuses and brightness control.
- (e) TV raster only: Check harness and especially the PCB edge connector. Check PCB and TV.
- (f) Picture rolls: Adjust TV vertical hold. Check or replace PCB.
- (g) Picture is wavy: Adjust TV horizontal hold. Replace transformer. Check harness, particularly grounds, 5-volt supply, and 73-volt regulator.
- (h) Picture is broken into diagonal lines: Adjust TV horizontal hold. Replace PCB.

*a TV raster is a blank but lighted TV screen with the brightness turned all the way up

- (i) Jerky plane motion: Replace appropriate potentiometer.
- (j) No game credit: Check coin mechanism and switch, and the harness. Replace PCB.
- (k) Game sequence incorrect or parts of playfield display missing, distorted or not functioning: Replace PCB.
- (l) No audio: Check volume control, speaker connections. Replace PCB.
- (m) White picture but no display: Check edge connector on logic PCB, 5-volt supply from monitor, and 12-pin Molex connector on monitor.
- (n) No firing: Check firing buttons and harness connections.

Note: If the above checks do not solve the problem, consult the appropriate theory of operation description of the logic PCB circuits.

3-5. PCB SHIPPING

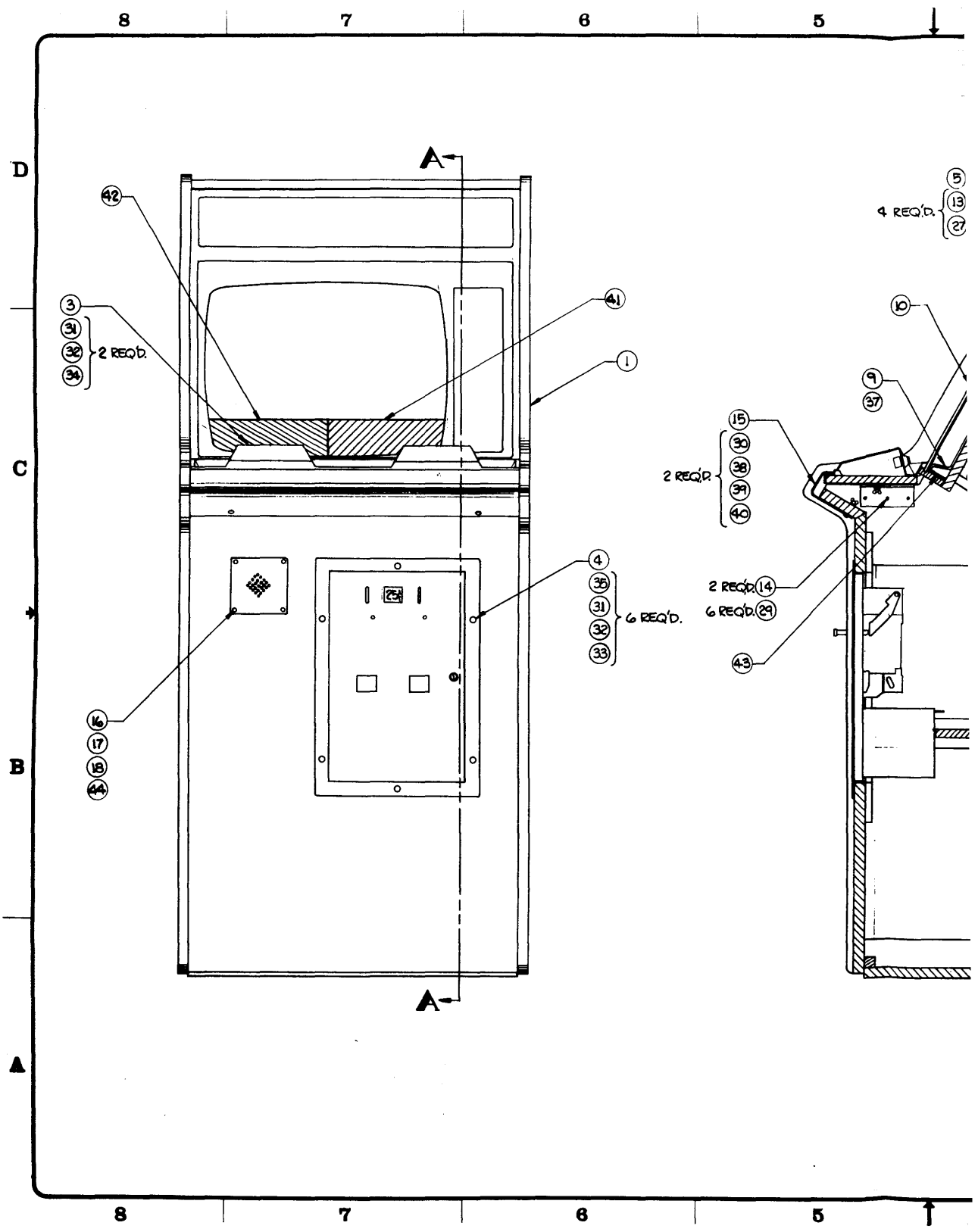
Careful packing of PCBs and other parts being returned to the factory is recommended, as Atari cannot be liable for items damaged in transit. If possible, include a short statement describing the problem encountered with the game.

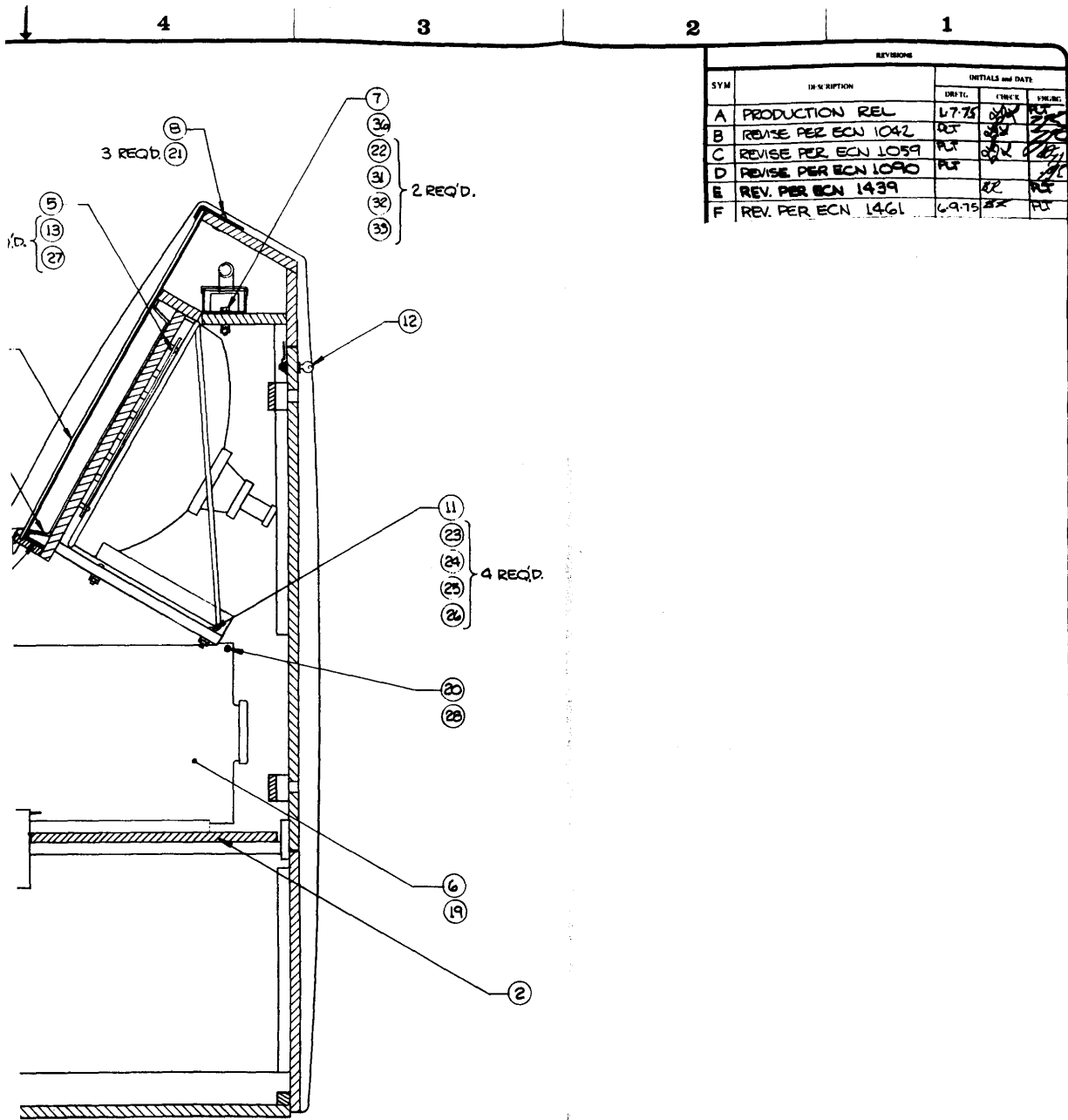
3-6. LOGIC TYPE AND FUNCTION

| <u>TYPE</u> | <u>FUNCTION</u> |
|-------------|--------------------------------------|
| 7400 | quad 2-input NAND gate |
| 7402 | quad 2-input NOR gate |
| 7404 | hex inverter |
| 74S04 | hex inverter |
| 7408 | quad 2-input AND gate |
| 7410 | triple 3-input NAND gate |
| 7413 | dual NAND Schmitt trigger |
| 7420 | dual 4-input NAND gate |
| 7425 | dual 4-input NOR with strobe |
| 7427 | triple 3-input NOR gate |
| 7430 | single 8-input NAND gate |
| 7448 | BCD-to-7-segment decoder |
| 7450 | dual AND/OR gate (inverter/expander) |
| 7474 | dual-D flip flop |
| 7483 | 4-bit full adder |

(Logic type and function, cont.)

| <u>TYPE</u> | <u>FUNCTION</u> |
|-------------|--|
| 7486 | quad exclusive OR gate |
| 7490 | decade counter |
| 7492 | divide-by-12 counter |
| 7493 | 4-bit binary counter |
| 74107 | dual JK M/A flip flop |
| 74153 | dual 4-bit multiplexer |
| 74157 | quad 2-input data selector/multiplexer |
| 74165 | parallel-load 8-bit shift register |
| 74192 | synchronous decade up/down counter |
| 74193 | synchronous binary up/down counter |
| LM380 | amplifier |
| NE555 | timer |
| NE566 | function generator |
| 747 | dual operational amplifier |
| RC4136D | quad operational amplifier |
| MFC6040 | voltage-controlled operational amplifier |
| 8098 | hybrid |
| 8103 | hybrid |
| 8099 | hybrid |
| 9311 | one-of-sixteen decoder/demultiplexer |
| 9312 | 8-input multiplexer |
| 9314 | quad latch |
| 9316 | 4-bit binary counter |
| 9321 | dual one-of-four decoder |
| 9602 | dual monostable multivibrator |
| 74186 | ROM |





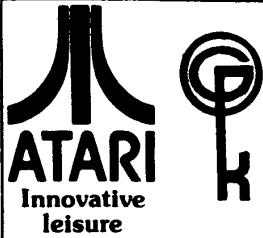
SECTION **A-A**

| APPLICATION | USED ON |
|---------------|---------|
| ANTI-AIRCRAFT | |

| | | | |
|--|--------------------------------|---|---|
| INTERPRET THIS DRAWING PER 88481 Y143 | DRAWN BY PETE | DATE 1-7-74 | ATARI INCORPORATED 14600 Winchester Boulevard Los Gatos, California 95030 |
| UNLESS OTHERWISE SPECIFIED DIMENSIONS ARE IN INCHES TOLERANCES ON: | CHECKED | DESIGN ENGINEER P. TAKACHI 1-74 | |
| FRACTIONS = 16/100 | ANGLE = 45° | SURFACE FINISH | TITLE TOP ASSEMBLY ANTI-AIRCRAFT |
| MATERIAL: SEE PL 003026 | APPROVED <i>[Signature]</i> | SIZE D | DRAWING NO. A003026 |
| | | SCALE NONE | REV F |

003026
V
F

4 3 2 1



ASSEMBLY TITLE / TOP ASSEMBLY ANTTIAIRCRAFT P/L 003026

PARTS LIST SPECIFICATION Page 1 of 2

Drawn
 Checked *[Signature]* Mech. Eng. *[Signature]*
 Proj. Eng. *[Signature]* Elec. Eng *[Signature]* REV. F

| Rev. | Description | Date | Appr. | Rev. | Description | Date | Apprv. |
|------|------------------|---------|--------------------|------|-------------|------|--------|
| 1 | Prototype Rel | | <i>[Signature]</i> | | | | |
| A | Prod. Rel | 1-8-75 | <i>[Signature]</i> | | | | |
| B | Rev Per ECN 1042 | 1-10-75 | <i>[Signature]</i> | | | | |
| C | Rev Per ECN 1059 | 1-15-75 | <i>[Signature]</i> | | | | |
| D | Rev per ECN 1090 | 2-12-75 | <i>[Signature]</i> | | | | |
| E | Rev per ECN 1439 | 5-15-75 | <i>[Signature]</i> | | | | |
| F | Rev per ECN 1461 | 6-9-75 | <i>[Signature]</i> | | | | |

| Item | Part Number | Qty. | DESCRIPTION |
|------|-------------|------|--|
| 1 | A003027 | 1 | Assy, Cabinet |
| 2 | A003046 | 1 | Assy, Electronics Tray |
| 3 | A003048 | 1 | Assy, Control Panel |
| 4 | A003637 | 1 | Assy, Coin Door (Airtronics) |
| 5 | A001508 | 1 | Illum. P.C. Board Assy. |
| 6 | A000951 | 1 | P.C. Board Assy. |
| 7 | A003102 | 1 | Assy, Florescent Light 18" |
| 8 | 003053 | 1 | Retainer, Upper Plex |
| 9 | 001656 | 1 | Bezel |
| 10 | 003052 | 1 | Plex Screen |
| 11 | 92-006 | 1 | T.V., Motorola (XM 501), 19" |
| 12 | 71-2112 | 1 | Lock, Mech., Barrel Cart. |
| 13 | 74-3620 | 4 | Spacer 1.25" |
| 14 | 002728 | 2 | Panel Mtg. Bracket |
| 15 | 003051 | 1 | Retainer, Control Panel |
| 16 | 000869 | 1 | Grill, Speaker |
| 17 | 48-004 | 1 | Speaker, 5" Arkay#P50C5 |
| 18 | 73-77001 | 4 | Pop Rivet |
| 19 | 001141 | 1 | Foam Pad (.75) |
| 20 | 74-3608 | 1 | Spacer, Tubular, (Non-Threaded), .50 Lg. Brass |
| 21 | 82-8116B | 3 | Button Head Socket Cap Screw, 10-24 x 1" Lg. Black |
| 22 | 72-5120 | 2 | Screw, Machine, Hexagon Head, 10-24 x 1 1/4" Lg. |
| 23 | 75-2824S | 4 | Screw, Mach, Phil, Rnd. Hd., #8-32 x 1.50" Lg. |
| 24 | 75-048 | 4 | Washer, Split Lock #8 |
| 25 | 75-918S | 4 | Nut, Hex, #8-32 |
| 26 | 75-018S | 4 | Washer, Flat #8 |
| 27 | 72-6628 | 4 | Screw, Sht. Met., Pan Hd, Phil #6 x 1.75" Lg. |
| 28 | 72-6616 | 1 | Screw, Sht. Met., Pan Hd, Phil #6 x 1.00" Lg. |
| 29 | 72-6812 | 6 | Screw, Sht. Met., Pan Hd, Phil #8 x .75" Lg. |
| 30 | 75-5520B | 2 | Bolt, Carriage # 1/4-20 x 1.25" Lg. Black |
| 31 | 75-010S | 10 | Washer, Flat, #10 |
| 32 | 75-040 | 10 | Washer, Split-Lock, #10 |
| 33 | 75-911S | 8 | Nut, Hex, #10-24 |
| 34 | 75-931 | 2 | Nut, Wing, #10-24 |
| 35 | 75-5128B | 6 | Bolt Carriage #10-24 x 1.75" Lg. Black |
| 36 | * 70-304 | 1 | 18" Florescent Tube, F15T12 |
| 37 | 003054 | 1 | Instruction Plate |
| 38 | 75-015S | 2 | Washer, Flat, 1/4 |
| 39 | 75-045 | 2 | Washer, Split Lock, 1/4 |
| 40 | 75-935 | 2 | Nut, Wing 1/4-20 |

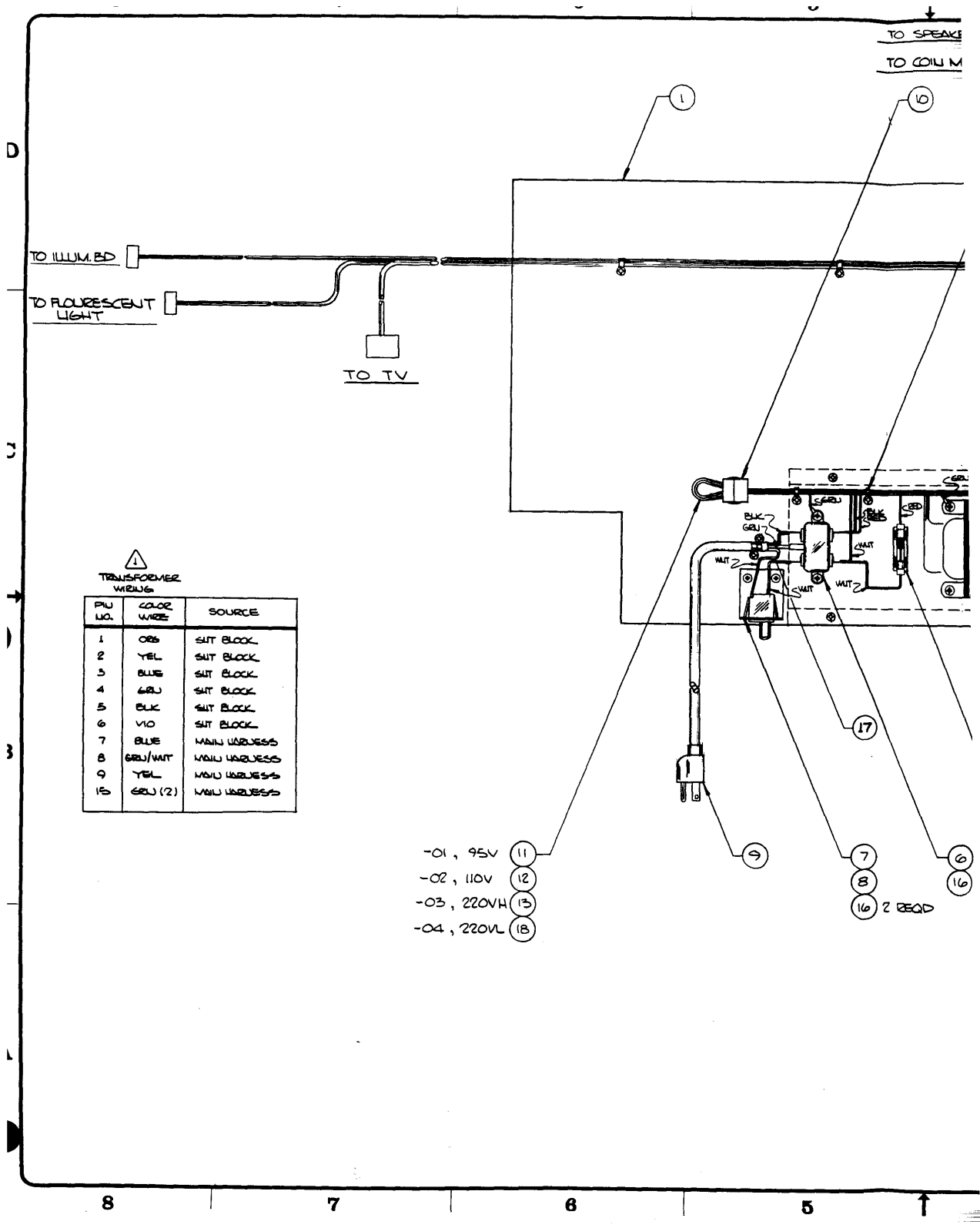
ASSEMBLY TITLE TOP ASSY ANTI-AIRCRAFT


P/L 003026

PARTS LIST SPECIFICATION

Page 2 of 2

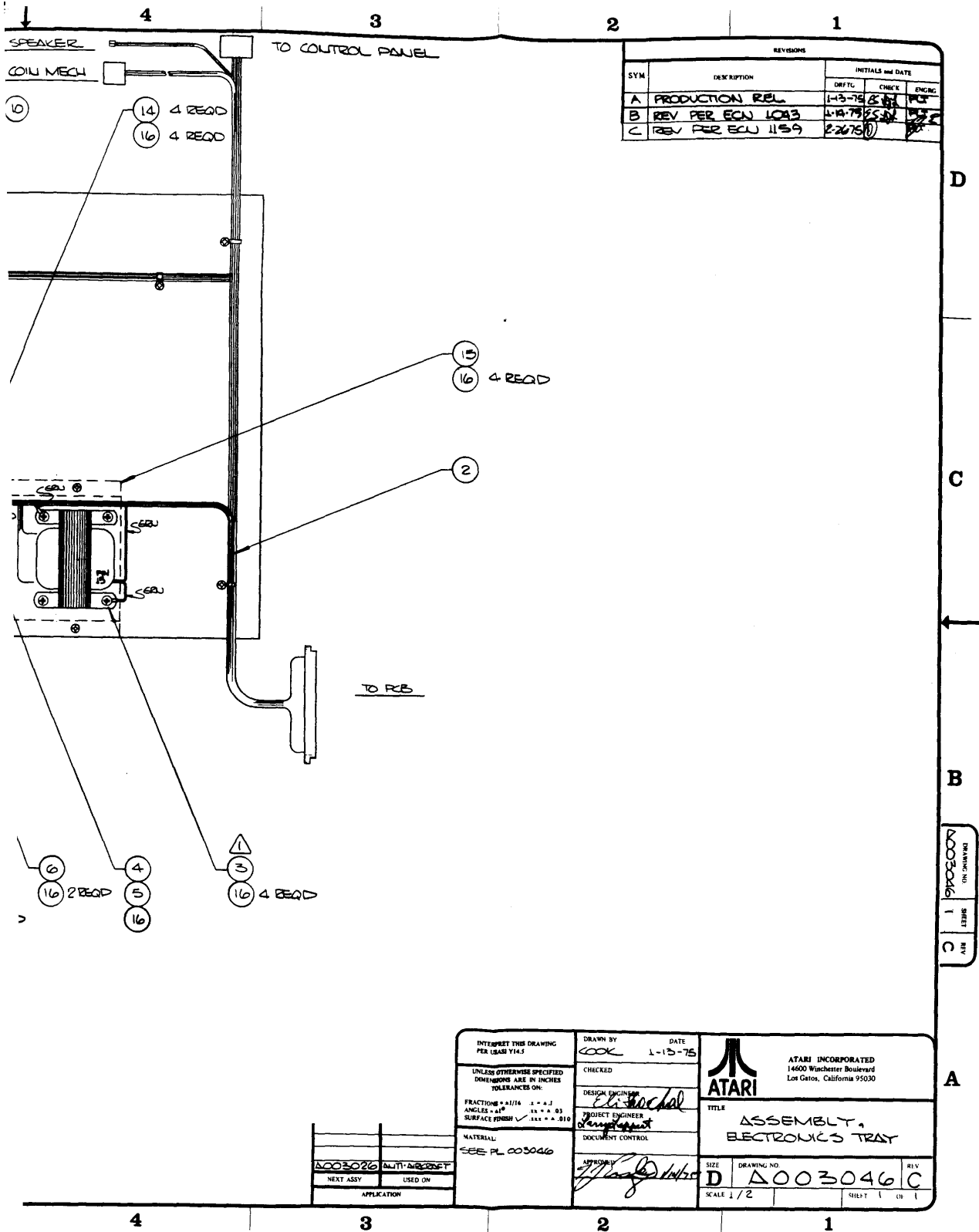
| Item | Part Number | Qty. | DESCRIPTION |
|------|-------------|------|---|
| 41 | 003753-01 | 1 | CRT Decal - Right Side |
| 42 | 003754-02 | 1 | CRT Decal - Left Side |
| 43 | 003903 | 1 | Bezel Shim |
| 44 | 72-6608 | 4 | Screw, SM, Pan Head, Phil. #6 x .50 Lg. |




TRANSFORMER WIRING

| PW NO. | COLOR WIRE | SOURCE |
|--------|------------|-------------|
| 1 | ORB | SUT BLOCK |
| 2 | YEL | SUT BLOCK |
| 3 | BLU | SUT BLOCK |
| 4 | GRN | SUT BLOCK |
| 5 | BLK | SUT BLOCK |
| 6 | VIO | SUT BLOCK |
| 7 | BLU | MAIN WIRESS |
| 8 | GRN/WHT | MAIN WIRESS |
| 9 | YEL | MAIN WIRESS |
| 15 | GRN (2) | MAIN WIRESS |

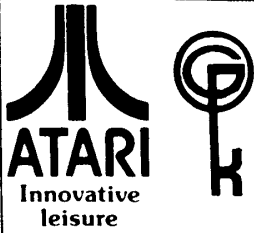
- 01, 95V (11)
 - 02, 110V (12)
 - 03, 220VH (13)
 - 04, 220VL (18)
- (7)
 (8)
 (16) Z RECD
 (6)



| SYM | DESCRIPTION | INITIALS and DATE | | |
|-----|------------------|-------------------|-------|-------|
| | | DRFTG | CHECK | ENGRG |
| A | PRODUCTION REL | 1-13-75 | ES | PC |
| B | REV PER ECN 1043 | 1-14-75 | ES | PC |
| C | REV PER ECN 1159 | 2-26-75 | ES | PC |

| | |
|------------|--------|
| DRAWING NO | 003046 |
| SHEET | 1 |
| REV | C |

| | | | | |
|--|--|---------------------------------------|---|--|
| INTERPRET THIS DRAWING PER USAS 114.2 UNLESS OTHERWISE SPECIFIED DIMENSIONS ARE IN INCHES TOLERANCES ON: FRACTIONS ±.01/16 1" ±.1 ANGLES ±.01 15° ±.03 SURFACE FINISH ✓ ALL ±.010 MATERIAL: SEE PL 003046 | DRAWN BY COOK | DATE 1-13-75 | ATARI INCORPORATED 14600 Winchester Boulevard Los Gatos, California 95030 | |
| | CHECKED | DESIGN ENGINEER <i>[Signature]</i> | | TITLE ASSEMBLY, ELECTRONICS TRAY |
| | PROJECT ENGINEER <i>[Signature]</i> | DOCUMENT CONTROL | | APPROVED <i>[Signature]</i> |
| | APPLICATION | SIZE D | | DRAWING NO 003046 |
| NEXT ASSY 003026 | USED ON | SCALE 1/2 | SHEET 1 | OF 1 |



ASSEMBLY TITLE / ANTI-AIRCRAFT ELECTRONICS TRAY ASSY P/L 003046

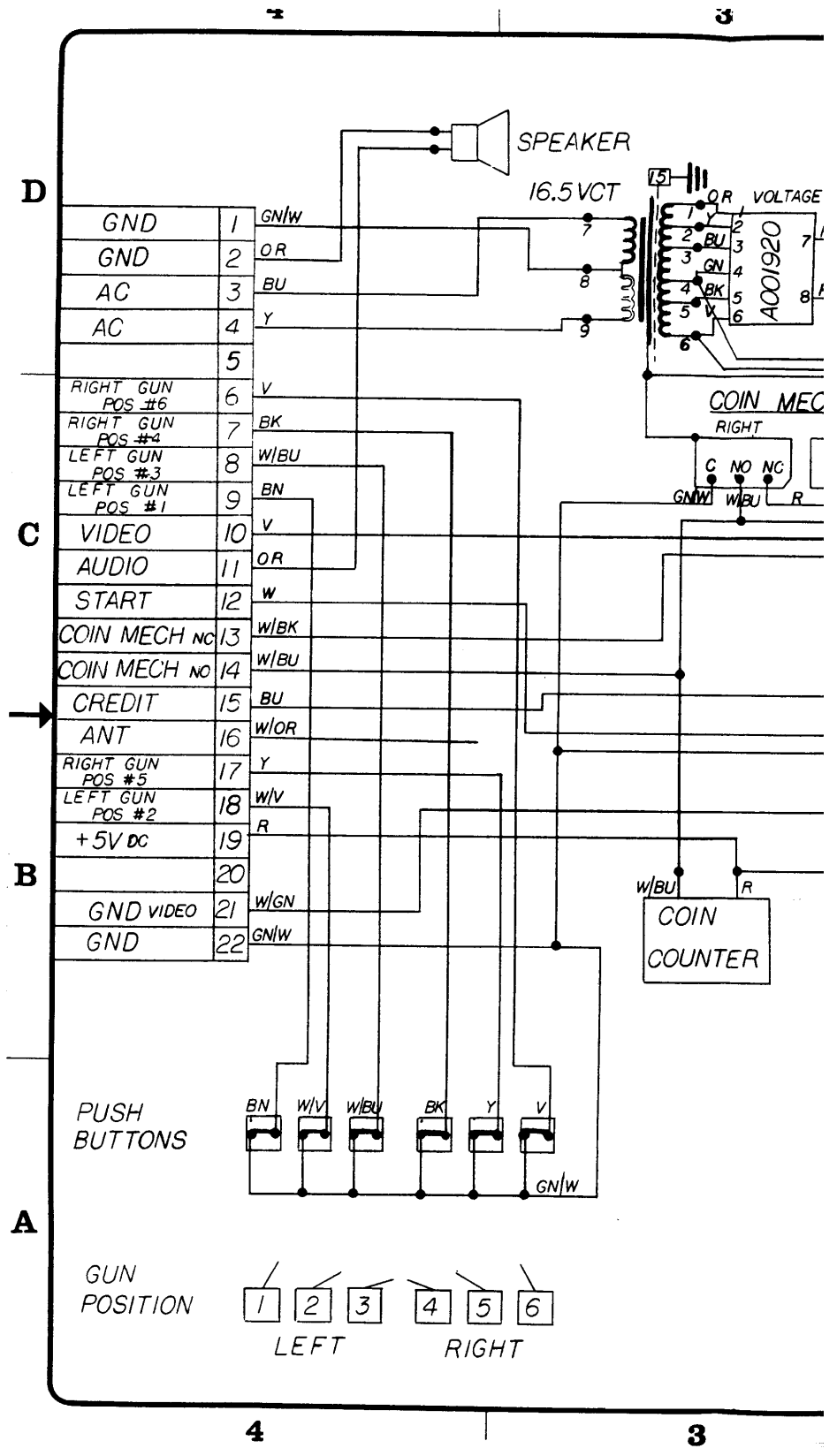
PARTS LIST SPECIFICATION Page 1 of 1

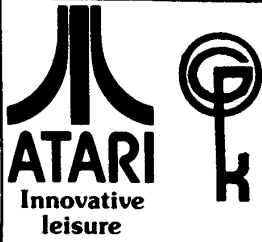
Drawn
 Checked *[Signature]* Mech. Eng. *[Signature]*
 Proj. Eng. *[Signature]* Elec. Eng. *[Signature]* REV. C

| Rev. | Description | Date | Apprv. | Rev. | Description | Date | Apprv. |
|------|--------------------|---------|------------------------|------|-------------|------|--------|
| 1 | Prototype Release | | [Signature] | | | | |
| A | Production Release | | [Signature] | | | | |
| B | Rev per ECN 1043 | 1-10-74 | [Signature] | | | | |
| C | Rev per ECN 1159 | 2/26/75 | [Signature] | | | | |

| Item | Part Number | Qty. | DESCRIPTION |
|------|-------------|------|------------------------------------|
| 1 | 003047 | 1 | Tray, Electronics |
| 2 | A003093 | 1 | Harness |
| 3 | 001551 | 1 | Transformer |
| 4 | 79-3201 | 1 | Fuse Holder |
| 5 | 46-20110 | 1 | Fuse |
| 6 | 90-3001 | 1 | Filter, Power Line |
| 7 | 68-001 | 1 | A.C. Power Interlock Switch |
| 8 | 000268 | 1 | Bracket, Switch mtg. |
| 9 | 54-401 | 1 | Power Cord, 8' |
| 10 | A001920 | 1 | Harness, Voltage Selection |
| 11 | *A001921-01 | 1 | Shorting Block, 95V |
| 12 | *A001921-02 | 1 | Shorting Block, 110V |
| 13 | *A001921-03 | 1 | Shorting Block, 220V H |
| 14 | 78-25002 | 4 | Screw Down, Tie Wrap |
| 15 | 000622 | 1 | Cover, Transformer |
| 16 | 72-6608 | 22 | Screw, SM, Pan Hd, Phil #6x1/2 lg. |
| 17 | 002808-03 | 1 | Int. Switch Harness |
| 18 | *A001921-04 | 1 | Shorting Block, 220V L |

* Install shorting block per voltage required





ASSEMBLY TITLE / ANTI-AIRCRAFT - MAIN HARNESS P/L A003093

PARTS LIST SPECIFICATION Page 1 of 1

| | | |
|------------|-------------------------------|--------|
| Drawn | | |
| Checked | Mech. Eng. <i>[Signature]</i> | |
| Proj. Eng. | Elec. Eng. <i>[Signature]</i> | REV. C |

| Rev. | Description | Date | Apprv. | Rev. | Description | Date | Apprv. |
|------|-------------------|---------|--------------------|------|-------------|------|--------|
| A | PROD REL | 1-13-75 | <i>[Signature]</i> | | | | |
| B | Rev per ECN 1074 | 1-17-75 | <i>[Signature]</i> | | | | |
| C | Rev Per ECN# 1478 | 6/9/75 | <i>[Signature]</i> | | | | |

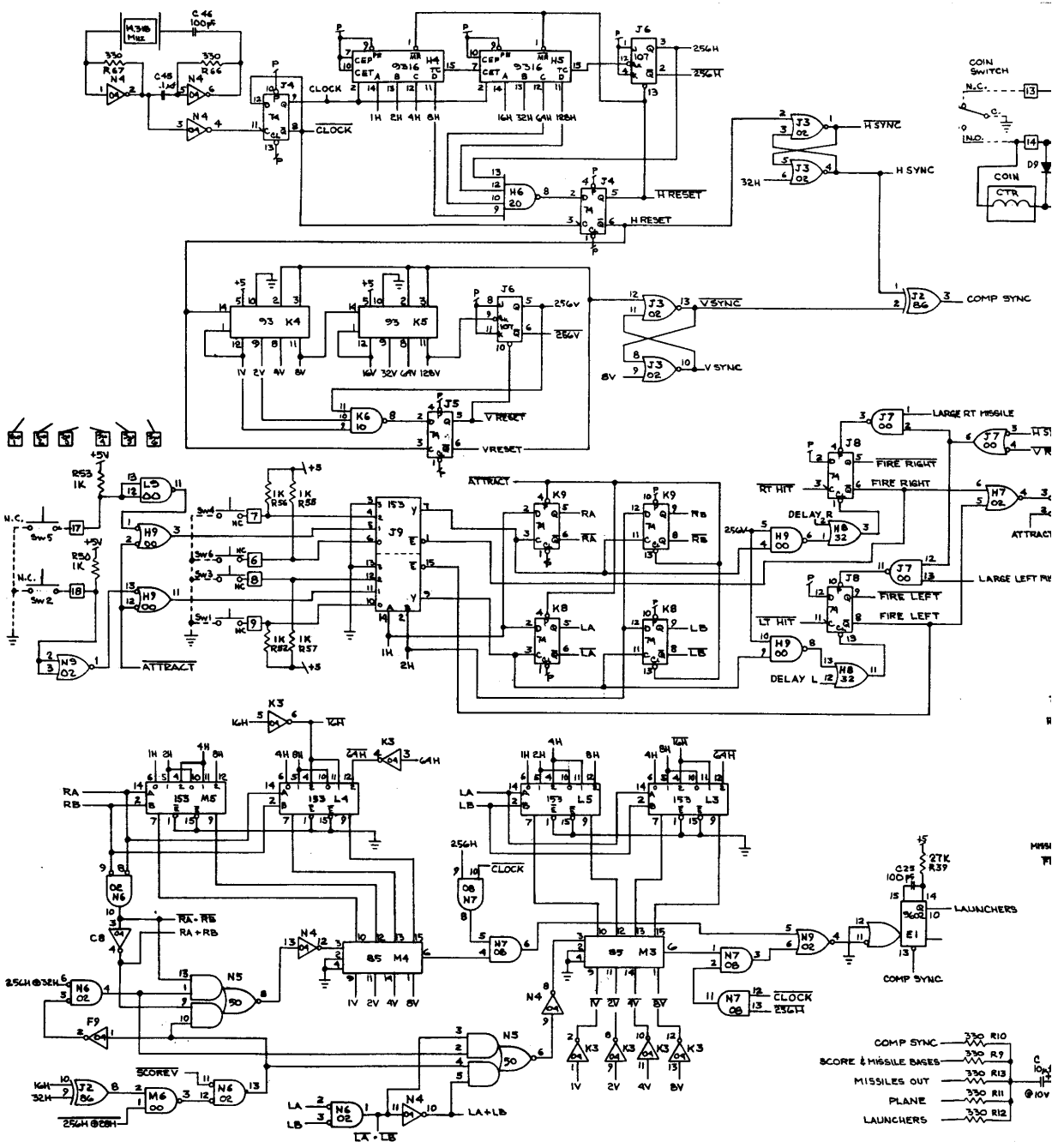
| Item | Part Number | Qty. | DESCRIPTION |
|------|-------------|------|---|
| 1 | 79-511122 | 1 | Edge Connector, 22 pin |
| 2 | 79-010 | 3 | Solder Lug #10 |
| 3 | 79-07320V | 2 | Faston #187 |
| 4 | 78-24003 | 7 | Tie Wrap, Screw Down Type (SSC2S-510) |
| 5 | 79-511001 | 2 | Connector Key |
| 6 | 78-25001 | A/R | Tie Wrap |
| 7 | 78-28004 | A/R | Flat Shrink Tubing |
| 9 | 79-58028 | 2 | Connector, 3 position (F), Molex #03-09-1033 |
| 10 | 79-58030 | 1 | Connector, 6 position (F), Molex #03-09-1063 |
| 11 | 79-58036 | 1 | Connector, 12 position (F), Molex #03-09-1122 |
| 12 | 79-58026 | 1 | Connector, 12 position (M), Amp #1-480708-0 |
| 13 | 79-20214 | 7 | Connector, Socket Amp #350550-1 |
| 14 | 79-20201 | 21 | Connector, Socket Molex #02-09-1118 |
| 15 | 51-11844 | A/R | Wire, 18 AWG, Yellow |
| 16 | 51-11866 | " | " " Blue |
| 17 | 51-11859 | " | " " Green/White |
| 18 | 51-11800 | " | " " Black |
| 19 | 51-11899 | " | " " White |
| 20 | 51-11855 | " | " " Green |
| 21 | 51-12077 | " | " 20 AWG Violet |
| 22 | 51-12095 | " | " " White/Green |
| 23 | 51-12033 | " | " " Orange |
| 24 | 51-12044 | " | " " Yellow |
| 25 | 51-12096 | " | " " White/Blue |
| 26 | 51-12000 | " | " " Black |
| 27 | 51-12097 | " | " " White/Violet |
| 28 | 51-12055 | " | " " Green |
| 29 | 51-12099 | " | " " White |
| 30 | 51-12088 | " | " " Grey |
| 31 | 51-12090 | " | " 20 AWG White/Black |
| 32 | 51-12011 | " | " " Brown |
| 33 | 51-12022 | " | " " Red |
| 34 | 51-12093 | " | " " White/Orange |
| 35 | 51-12066 | " | " " Blue |

8

7

6

5

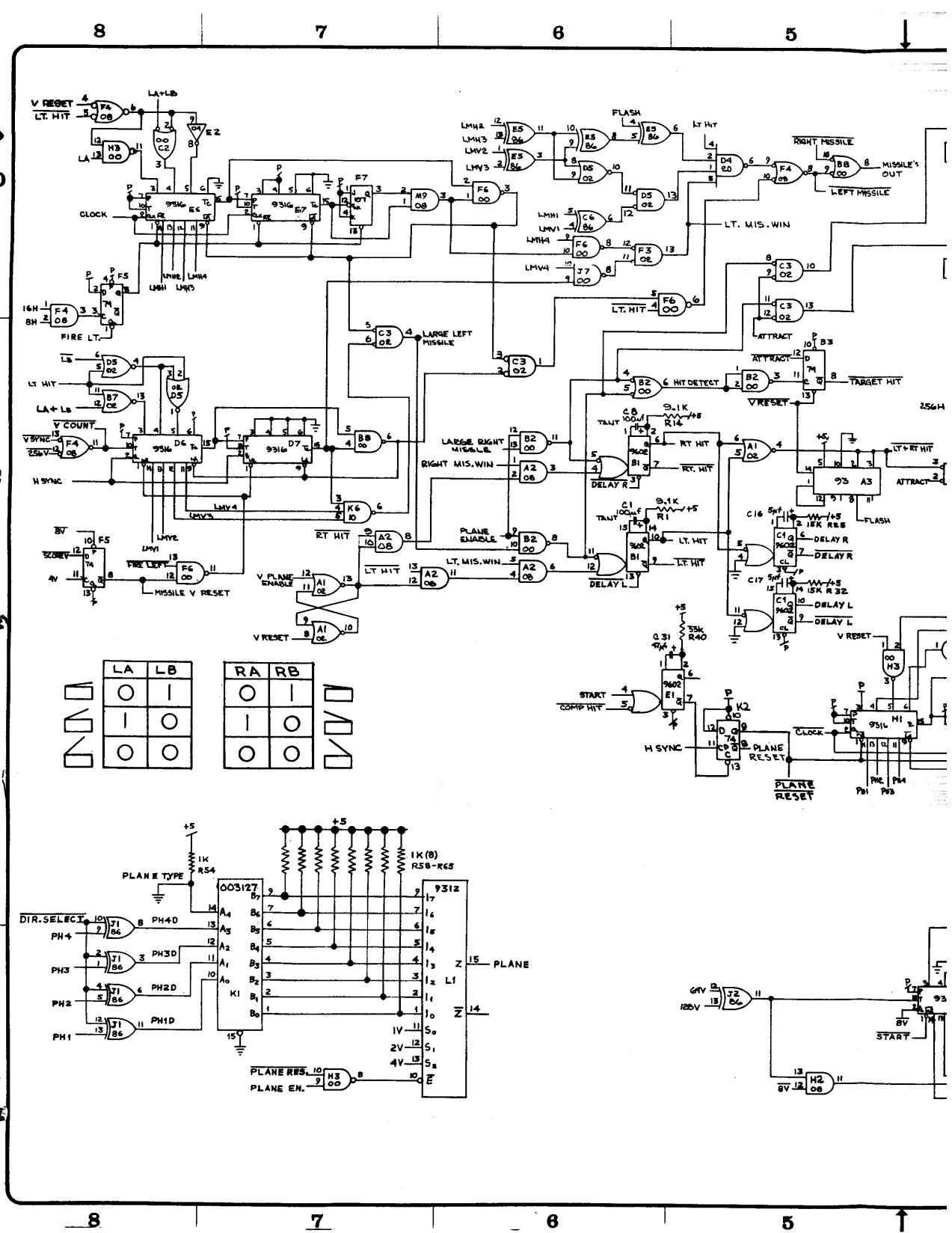


8

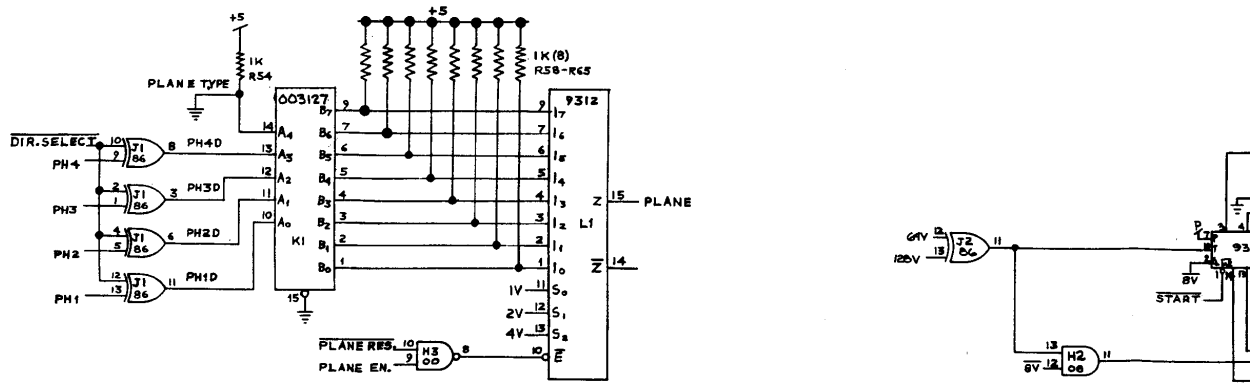
7

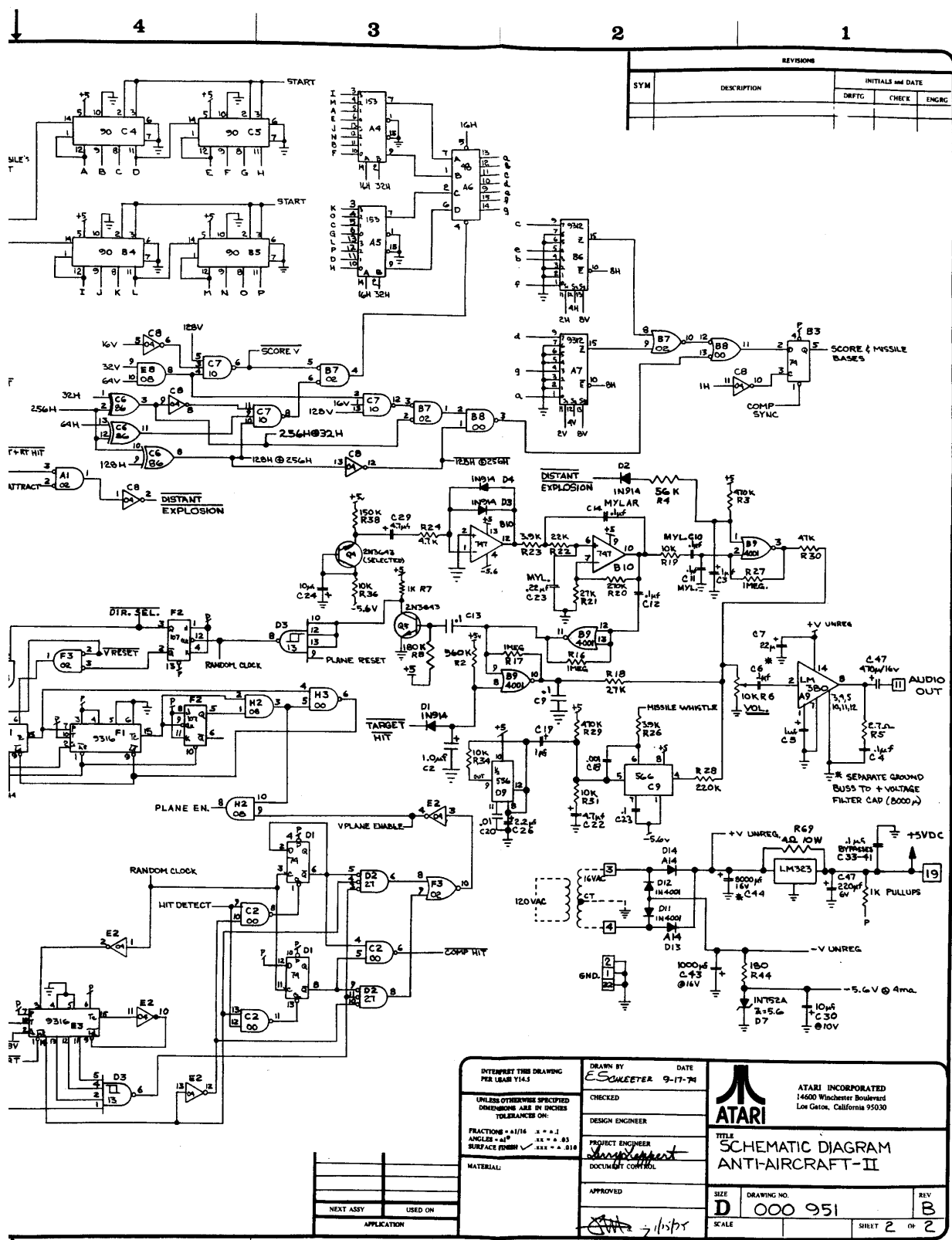
6

5



| | | | |
|----|----|----|----|
| LA | LB | RA | RB |
| ○ | | ○ | |
| | ○ | | ○ |
| ○ | ○ | ○ | ○ |



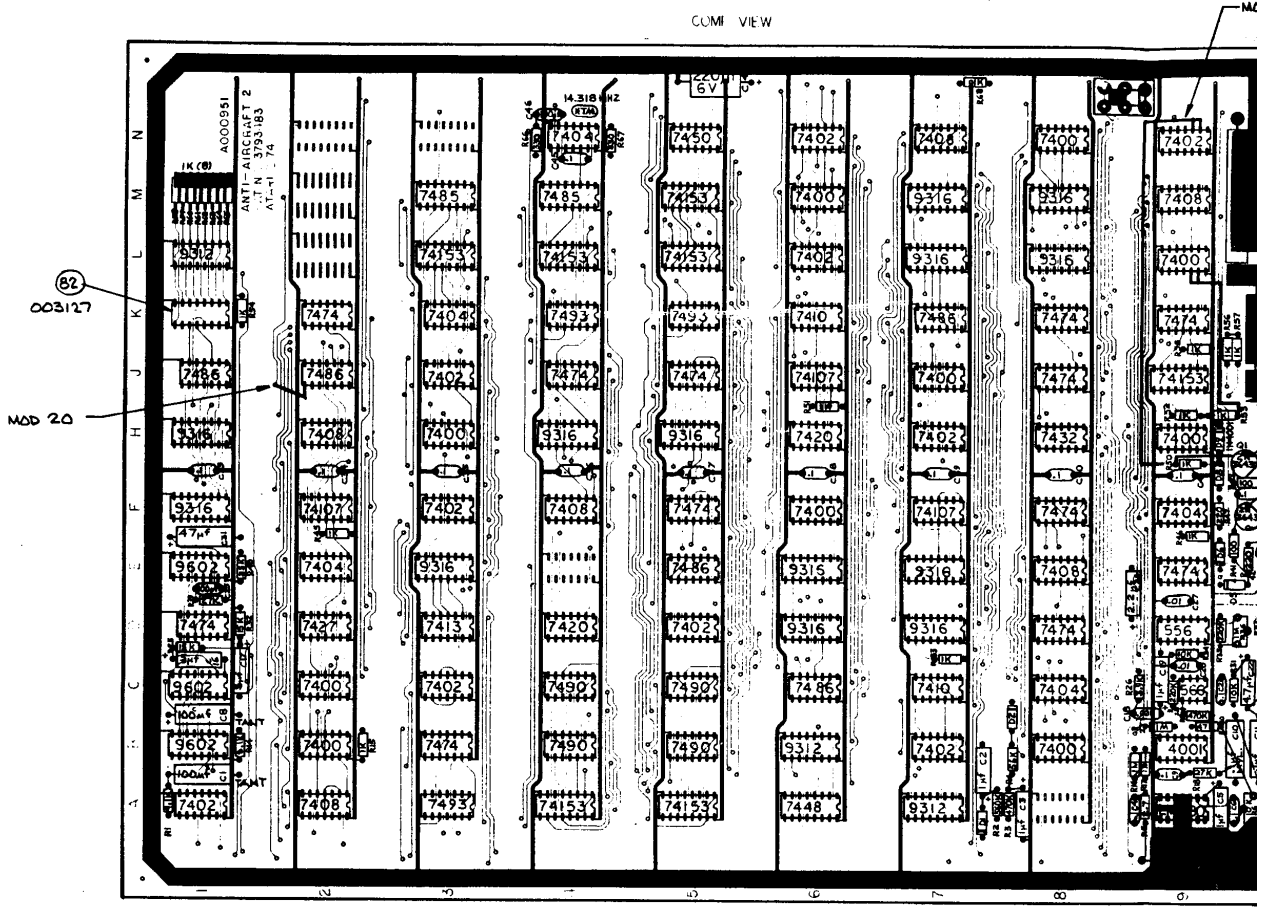


| REVISIONS | | |
|-----------|-------------|-------------------|
| SYM | DESCRIPTION | INITIALS AND DATE |
| | | |
| | | |

D
 C
 B
 A
 000 951
 SHEET 2 OF 2

| | | | | | | |
|--|--------------------------------|-------------------------|---|---|-------------------------------|-----------------|
| INTERPRET THIS DRAWING PER LEAD Y14.3 UNLESS OTHERWISE SPECIFIED DIMENSIONS ARE IN INCHES TOLERANCES ON: FRACTIONS = ±1/16 .X = ±.1 ANGLES = ±1° .XX = ±.05 SURFACE FINISH ✓ XXX = A .010 | DRAWN BY E. SCHMETER | DATE 9-17-74 | ATARI INCORPORATED 14600 Winchester Boulevard Los Gatos, California 95030 | | | |
| | CHECKED | DESIGN ENGINEER | | TITLE SCHEMATIC DIAGRAM ANTI-AIRCRAFT-II | | |
| | PROJECT ENGINEER | APPROVED | | SIZE D | DRAWING NO. 000 951 | REV B |
| | MATERIAL: | NEXT ASSY | | USED ON | APPLICATION | SCALE |

COMI VIEW



ALL DIODES ARE IN 914, EXCEPT AS NOTED.



ASSEMBLY TITLE / ANTI-AIRCRAFT II PCB P/L000951

PARTS LIST SPECIFICATION Page 1 of 2

Drawn L LEPPERT
 Checked *W. Waters M. 2/21* Mech. Eng.
 Proj. Eng. *Larry Leppert* Elec. Eng
 REV. B

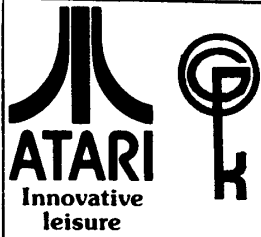
| Rev. | Description | Date | Apprv. | Rev. | Description | Date | Apprv. |
|------|--------------------|---------|-------------------|------|-------------|------|--------|
| A | Production Release | 1-13-75 | <i>W. Waters</i> | | | | |
| B | REV. PER ECN 1145 | 2/21/75 | <i>L. Leppert</i> | | | | |
| | | | | | | | |
| | | | | | | | |
| | | | | | | | |
| | | | | | | | |
| | | | | | | | |

| Item | Part Number | Qty. | DESCRIPTION |
|------|-------------|------|---|
| 1 | 10-0101 | 3 | Resistor, Carbon Comp, 100 ohm, 1/4W, 10% |
| 2 | 10-0102 | 22 | " " 1K ohm " " |
| 3 | 10-0103 | 4 | " " 10K ohm " " |
| 4 | 10-0105 | 3 | " " 1 Meg " " |
| 5 | 10-0153 | 2 | " " 15K " " |
| 6 | 10-0154 | 1 | " " 150K " " |
| 7 | 10-0181 | 1 | " " 180 ohm " " |
| 8 | 10-0184 | 1 | " " 180K " " |
| 9 | 10-0221 | 2 | " " 220 ohm, " " |
| 10 | 10-0223 | 1 | " " 22K ohm, " " |
| 11 | 10-0224 | 2 | " " 220K ohm, " " |
| 12 | 10-0274 | 1 | " " 270K ohm, " " |
| 13 | 10-0331 | 8 | " " 330 ohm, " " |
| 14 | 10-0333 | 4 | " " 33K ohm, " " |
| 15 | 10-0392 | 2 | " " 3.9K ohm, " " |
| 16 | 10-0472 | 1 | " " 4.7K ohm, " " |
| 17 | 10-0473 | 1 | " " 47K ohm, " " |
| 18 | 10-0474 | 2 | " " 470K ohm, " " |
| 19 | 10-0563 | 1 | " " 56K " " |
| 20 | 10-0564 | 1 | " " 560K " " |
| 21 | 10-52p7 | 1 | " " 2.7 ohm, " 5% |
| 22 | 10-5912 | 2 | " " 9.1K " " |
| 23 | 19-311103 | 1 | Trim Pot, 10K ohm |
| 24 | 19-311105 | 1 | Trim Pot, 1 Meg |
| 25 | 19-808W4PO | 1 | Resistor, Wire Wound, 4 ohm, 10W |
| 26 | 21-101104 | 3 | Capacitor, Mylar, .1mfd |
| 27 | 21-101224 | 1 | Capacitor, Mylar, .22mfd |
| 28 | 24-060227 | 1 | Capacitor, Electrolytic, 220mfd, 6V |
| 29 | 24-100105 | 4 | " " 1mfd |
| 30 | 24-100106 | 3 | " " 10mfd, 10V |
| 31 | 24-100107 | 1 | " " 100mfd, 10V |
| 32 | 24-100225 | 1 | " " 2.2mfd |
| 33 | 24-100226 | 1 | " " 22mfd |
| 34 | 24-100475 | 2 | " " 4.7mfd |
| 35 | 24-100476 | 1 | " " 47mfd |
| 36 | 24-160108 | 1 | " " 1000mfd, 16V |
| 37 | 24-160477 | 1 | " " 470mfd, 16V |
| 38 | 24-160808 | 1 | " " 8000mfd, 16V |
| 39 | 27-101102 | 1 | Capacitor, Ceramic, .001mfd |

PARTS LIST SPECIFICATION

Page 2 of 2

| Item | Part Number | Qty. | DESCRIPTION |
|------|---------------|------|---------------------------------------|
| 40 | 27-101103 | 2 | Capacitor, Ceramic, .01mfd |
| 41 | 27-120104 | 18 | Capacitor, Ceramic Bypass, .1mfd |
| 42 | 28-101101 | 2 | Capacitor, Dipped Mica, 100pfd |
| 43 | 29-013 | 2 | Capacitor, Tantalum, 100mfd, 10%, 10V |
| 44 | 31-414F | 2 | Diode, 414F |
| 45 | 31-1N914 | 8 | Diode, 1N914 |
| 46 | 31-1N4001 | 3 | Diode, 1N4001 |
| 47 | 31-1N752A | 1 | Diode, 1N752A Zener |
| 48 | 34-2N3643 | 4 | Transistor, 2N3643 |
| 49 | 33-2N3644 | 1 | Transistor, 2N3644 |
| 50 | 37-7400 | 10 | Integrated Circuit, 7400 |
| 51 | 37-7402 | 10 | " " 7402 |
| 52 | 37-7404 | 5 | " " 7404 |
| 53 | 37-7408 | 6 | " " 7408 |
| 54 | 37-7410 | 2 | " " 7410 |
| 55 | 37-7413 | 1 | " " 7413 |
| 56 | 37-7420 | 2 | " " 7420 |
| 57 | 37-7427 | 1 | " " 7427 |
| 58 | 37-7432 | 1 | " " 7432 |
| 59 | 37-7448 | 1 | " " 7448 |
| 60 | 37-7450 | 1 | " " 7450 |
| 61 | 37-7474 | 12 | " " 7474 |
| 62 | 37-7485 | 2 | " " 7485 |
| 63 | 37-7486 | 5 | " " 7486 |
| 64 | 37-7490 | 4 | " " 7490 |
| 65 | 37-7493 | 3 | " " 7493 |
| 66 | 37-74107 | 3 | " " 74107 |
| 67 | 37-74153 | 7 | " " 74153 |
| 68 | 37-9312 | 3 | " " 9312 |
| 69 | 37-9316 | 13 | " " 9316 |
| 70 | 37-9602 | 3 | " " 9602 |
| 71 | 37-556 | 1 | " " 556 |
| 72 | 37-566 | 1 | " " 566 |
| 73 | 37-LM380 | 1 | " " LM380 |
| 74 | 37-747 | 1 | " " 747 |
| 75 | 37-4001 | 1 | " " 4001 |
| 76 | | | |
| 77 | 37-LM323 | 1 | Voltage Regulator, LM323 |
| 78 | 69-001 | 1 | Switch, Slide, PC Mount, DPDT |
| 79 | 90-101 | 1 | Crystal, 14 MHZ |
| 80 | 24-100505 | 2 | Capacitor, Electrolytic, 5mfd |
| 81 | 10-0273 | 2 | Resistor, 27K, 1/4W, 10% |
| 82 | 003127 | 1 | Program, Anti-Aircraft Target |
| 83 | 002092 | 1 | P.C. BOARD |



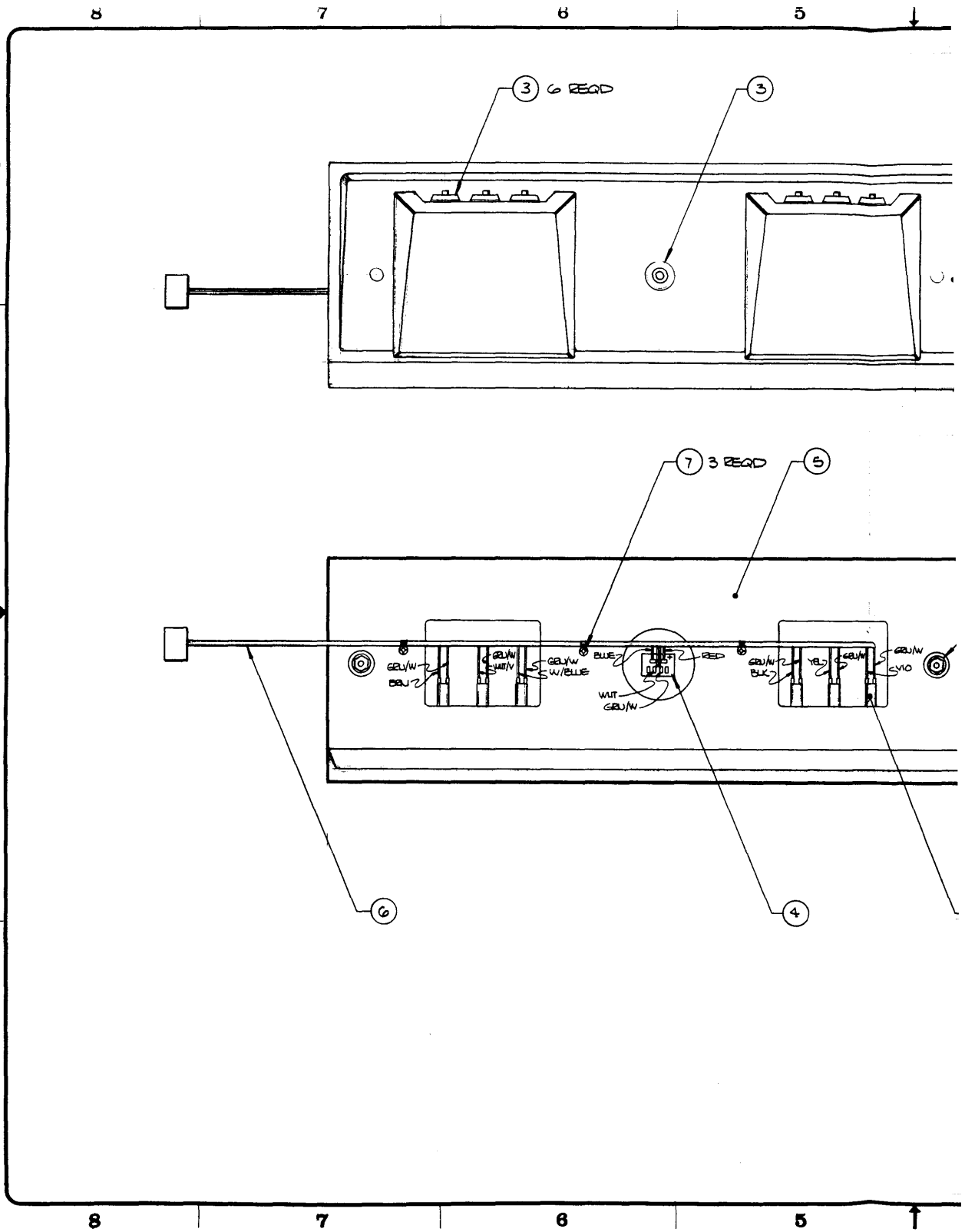
ASSEMBLY TITLE / AA FLOURESCENT LIGHT HARNESS P/L A003100-01

PARTS LIST SPECIFICATION Page 1 of 1

Drawn
 Checked *M.P. 3/26/75* Mech. Eng.
 Proj. Eng. Elec. Eng *Ch. Sheld* REV. B

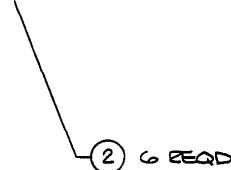
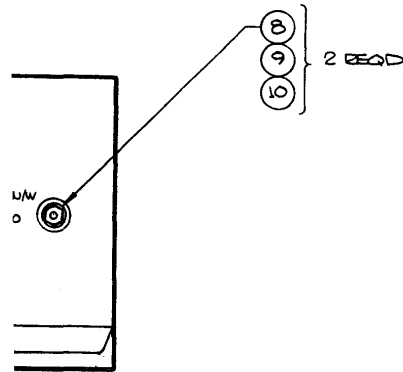
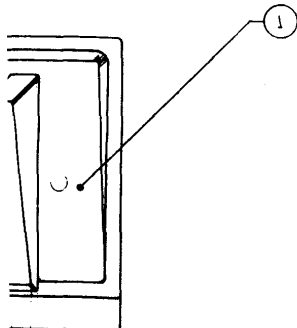
| Rev. | Description | Date | Apprv. | Rev. | Description | Date | Apprv. |
|----------|----------------------|---------|---------------|------|-------------|------|--------|
| Δ | PROD. REV | | SE | | | | |
| B | Rev per ECN 1267 | 3-24-75 | <i>ESA</i> | | | | |
| | | | | | | | |
| | | | | | | | |
| | | | | | | | |

| Item | Part Number | Qty. | DESCRIPTION |
|------|-------------|------|---|
| 1 | 79-58043 | 1 | Connector, 2 position, (M) body Molex #03-09-2022 |
| 2 | 79-58027 | 2 | Connector Pins, Molex #02-09-2118 |
| 3 | 51-11800 | A/R | Wire, 18 AWG, Black |
| 4 | 51-11899 | A/R | Wire, 18 AWG, White |
| 5 | 78-25001 | A/R | Tie Wraps |



4 3 2 1

| REVISIONS | | | |
|-----------|------------------|-------------------|------|
| SYM | IN WRITING | INITIALS and DATE | |
| | | DATE | BY |
| A | PROD REL | 1-15-75 | PTES |
| B | REV PER ECN 1266 | 1-22-75 | PTES |



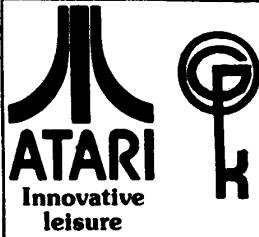
D
C
B
A

DRAWING NO
A003048
SHEET
1
REV
B

| | | | | | |
|---|-------------------------------|------------------------------------|---|---------------------------------|-----------------------|
| INTERPRET THIS DRAWING PER ISIRI V145 UNLESS OTHERWISE SPECIFIED DIMENSIONS ARE IN INCHES TOLERANCES ON: FRACTIONS = +1/16 -0 +.3 ANGLES = ±1° 15' ±.03 SURFACE FINISH ✓ ±.000 ±.010 | DRAWN BY COOK | DATE 1-15-75 | ATARI INCORPORATED 14600 Wilshire Boulevard Los Gatos, California 95030 | | |
| | CHECKED | DESIGN ENGINEER P. TAKACHI 1-75 | | TITLE ASSEMBLY CONTROL PANEL | |
| | PROJECT ENGINEER J. J. ... | APPROVED | | SIZE D | DRAWING NO A003048 |
| | MATERIAL: SEE PL 003048 | DOCUMENT CONTROL | | SCALE 1/2 | REV B |

| APPLICATION | USED ON | NEXT ASSY |
|-------------|---------------|-----------|
| A003048 | ANTI-AIRCRAFT | |

4 3 2 1



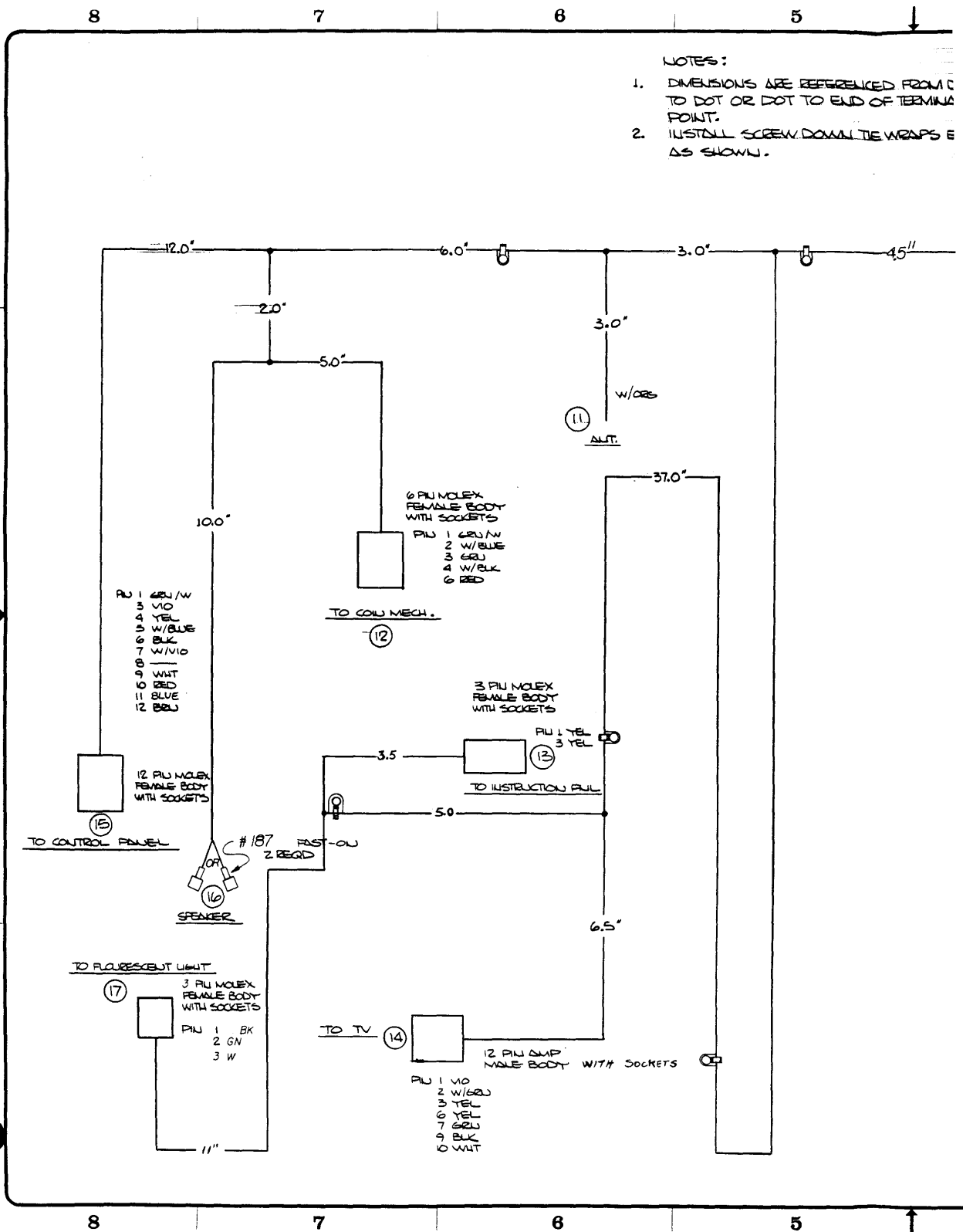
ASSEMBLY TITLE / ASSY, CONTROL PANEL
 ANTI-AIRCRAFT P/L 003048

PARTS LIST SPECIFICATION Page 1 of 1

Drawn
 Checked *Elin Korpela* Mech. Eng. P. TAKAICHI
 Proj. Eng. *Jerry Seppa* Elec. Eng. *J. Ego* REV. B

| Rev. | Description | Date | Apprv. | Rev. | Description | Date | Apprv. |
|------|------------------|---------|--------|------|-------------|------|--------|
| 1 | Prototype Rel | | | | | | |
| A | PROD REL | 1-9-75 | | | | | |
| B | Rev per ECN 1266 | 3-23-75 | | | | | |
| | | | | | | | |
| | | | | | | | |

| Item | Part Number | Qty. | DESCRIPTION |
|------|-------------|------|--|
| 1 | 003049 | 1 | Panel, Control |
| 2 | 62-009 | 6 | Switch, Push Button, Licon 76-7151 |
| 3 | 001856 | 7 | Bushing, Switch |
| 4 | 62-002 | 1 | Switch, Push Button, Panel, MTG., LED Illum. |
| 5 | 003050 | 1 | Board, Control |
| 6 | A003100-02 | 1 | Assy, Harness, Control Panel |
| 7 | 72-6608 | 3 | Screw, Sht. Met., Pan Hd, Phil, #6 x 1/2 Lg. |
| 8 | 75-5124B | 2 | Bolt, Carriage, #10-24 x 1 1/2 Lg., Black |
| 9 | 75-030S | 2 | Washer, Flat, Wide Pattern, #10 |
| 10 | 75-911S | 2 | Nut, Hex, #10-24 |



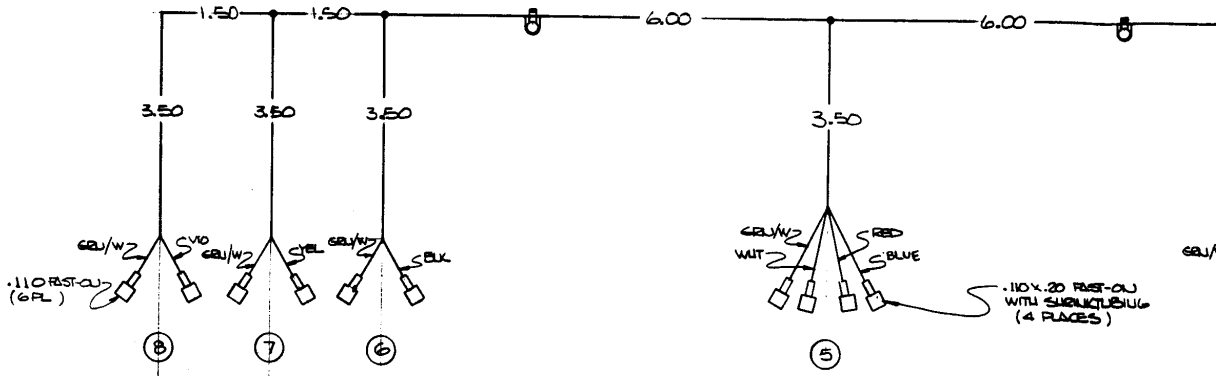
8

7

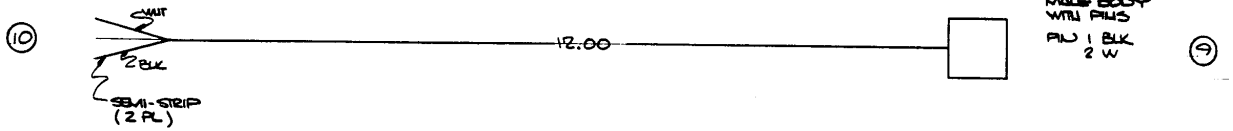
6

5

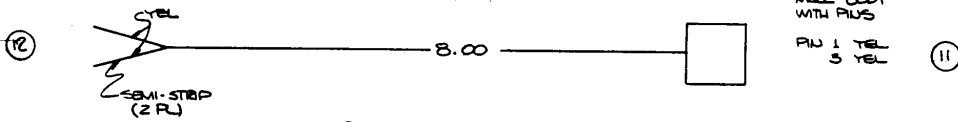
CONTROL FUEL HARNESS A003100-02



FLUORESCENT LIGHT HARNESS A003100-01



ILLUM. BD HARNESS A003100-03



8

7

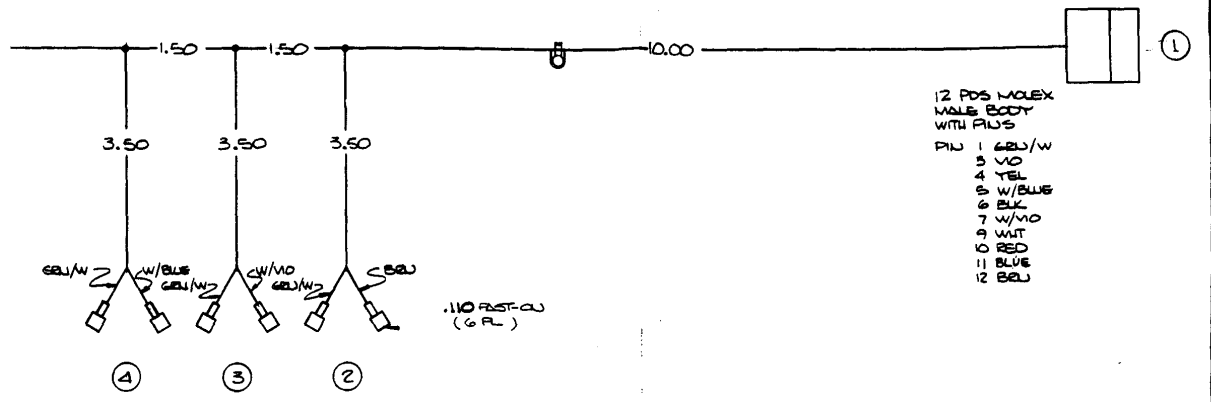
6

5

4 3 2 1

| REVISIONS | | | |
|-----------|------------------|-------------------|---------------|
| SYM | DESCRIPTION | INITIALS and DATE | |
| | | DESIGN | CHECK / ENG'G |
| A | PROD REL | 1-18-75 | EG |
| B | REV PER ECU 1267 | 2-24-75 | ES |

72



- 12 PDS MOLEX
MALE BODY
WITH PLUS
- 1 6BL/W
 - 2 W/BLU
 - 3 W/MD
 - 4 C BLU
 - 5 W/BLU
 - 6 BLK
 - 7 W/MD
 - 8 WHT
 - 9 RED
 - 10 BLUE
 - 11 BLUE
 - 12 BLU

NOTES :

1. DIMENSIONS ARE REFERENCED FROM DOT TO DOT OR DOT TO END OF TERMINATION POINT.
2. INSTALL SCREW DOWN TIE WRAP EXACTLY AS SHOWN.

100%
 CHECKED
 100%
 CHECKED
 100%
 CHECKED

⑨

| | | | |
|---|--|-------------------------------|---|
| INTEREST THE DRAWING PER USAB Y143 | DRAWN BY COOL | DATE 1-9-75 | ATARI INCORPORATED 14600 Winchester Boulevard Los Gatos, California 95030 |
| UNLESS OTHERWISE SPECIFIED DIMENSIONS ARE IN INCHES TOLERANCES ON: FRACTIONS = ±1/16 .5 = ±.1 ANGLES = ±8° .25 = ±.03 SURFACE FINISH = ±.010 | CHECKED DESIGN ENGINEER <i>[Signature]</i> PROJECT ENGINEER | DOCUMENT CONTROL <i>M?</i> | |
| MATERIAL: SEE P. 003100 | APPROVED APPLICATION NEXT ASSY USED ON | SIZE D | DRAWING NO. 003100-XX |
| APPLICATION | SCALE FULL | SHEET 1 OF 1 | REV B |

4 3 2 1



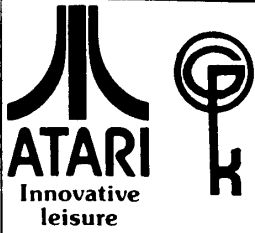
ASSEMBLY TITLE / ANTI AIRCRAFT CONTROL PANEL HARNESS P/L A003100-02

PARTS LIST SPECIFICATION Page 1 of 1

Drawn
 Checked *M. 3/26/75* Mech. Eng.
 Proj. Eng. Elec. Eng *El. Shred* REV. B

| Rev. | Description | Date | Apprv. | Rev. | Description | Date | Apprv. |
|------|------------------|---------|------------|------|-------------|------|--------|
| △ | PROD REL | | <i>RSE</i> | | | | |
| B | Rev per ECN 1267 | 3-24-75 | <i>SEA</i> | | | | |
| | | | | | | | |
| | | | | | | | |
| | | | | | | | |
| | | | | | | | |
| | | | | | | | |

| Item | Part Number | Qty. | DESCRIPTION |
|------|-------------|------|--|
| 1 | 79-58037 | 1 | Connector, 12 position, (M) body Molex #03-09-2121 |
| 2 | 79-58027 | 10 | Connector pins Molex #02-09-2118 |
| 3 | | | |
| 4 | 79-07220V | 16 | Faston #110x20 Female |
| 5 | 78-28004 | A/R | Shrink Tubing |
| 6 | 78-25001 | A/R | Tie Wraps |
| 7 | 78-24003 | 3 | Screw down tie wrap (SSC2S-S10) |
| 8 | 51-11859 | A/R | Wire, 18 AWG, GN/W |
| 9 | 51-12077 | " | " 20 AWG, Violet |
| 10 | 51-12044 | " | Wire " " Yellow |
| 11 | 51-12096 | " | " " " White/Blue |
| 12 | 51-12000 | " | " " " Black |
| 13 | 51-12097 | " | " " " White/Violet |
| 14 | 51-12099 | " | " " " White |
| 15 | 51-12022 | " | " " " Red |
| 16 | 51-12066 | " | " " " Blue |
| 17 | 51-12011 | " | " " " Brown |



ASSEMBLY TITLE ILLUMINUM BOARD HARNESS AA P/LA003100-03

PARTS LIST SPECIFICATION Page 1 of 1

Drawn
 Checked *M.J. 3/26/75* Mech. Eng.
 Proj. Eng. Elec. Eng. *Ed. Shuchal* REV. B

| Rev. | Description | Date | Apprv. | Rev. | Description | Date | Apprv. |
|------|------------------|---------|-----------|------|-------------|------|--------|
| | PROD REL | | | | | | |
| B | Rev per ECN 1267 | 3-24-75 | <i>ES</i> | | | | |
| | | | | | | | |
| | | | | | | | |
| | | | | | | | |
| | | | | | | | |

| Item | Part Number | Qty. | DESCRIPTION |
|------|-------------|------|--|
| 1 | 79-58027 | 1 | Connector, 3 position (M) Body #03-09-2032 |
| 2 | 79-58027 | 2 | Connector pings Molex #02-09-2118 |
| 3 | 51-12044 | A/R | Wire, 20 AWG, Yellow |
| 4 | 78-25001 | A/R | Tie Wraps |