

Table of Contents

720™ Main Wiring Diagram	Sheet 1B
Audio II PCB Schematic Diagram	Sheet 2A
Switching/Linear (SL) Power Supply, Coin Door, and Hitron 5V, 13A Switching Power Supply Wiring Diagrams	Sheet 2B
720° Main Microprocessor (T-11) Memory Map	Sheet 3A
720° Sound Microprocessor (6502) Memory Map	Sheet 3B
720° CPU PCB Schematic Diagrams:	
Power Input	Sheet 4A
Extender Socket, Mode Register, T-11 Clock, Clock Stretching, Interrupt Logic, T-11 Microprocessor, and Address Latches	Sheet 4B
Address Decoders, 6502 Microprocessor Communication Flags	Sheet 5A
Paged Program ROM, Reset and Watch-dog Clear	Sheet 5B
6502 Microprocessor Communication Latches, Fixed Program ROM, Zero-Page RAM, Control Panel Inputs	Sheet 6A
CPU/Video Buffers, Clock and Control Signals	Sheet 6B
6502 Microprocessor, Program Memory, Zero Page RAM and EEROM, Address Decoding	Sheet 7A
A/D Converter, Address Decoding, Coin Counters, LED Drivers	Sheet 7B
Coin Door and Status Inputs, Speech, Music, Power Connections	Sheet 8A
Audio Output Drivers, Sound Effects Option Switches, Steering Wheel Inputs	Sheet 8B

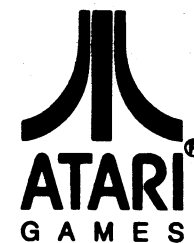
720° Video PCB Schematic Diagrams:

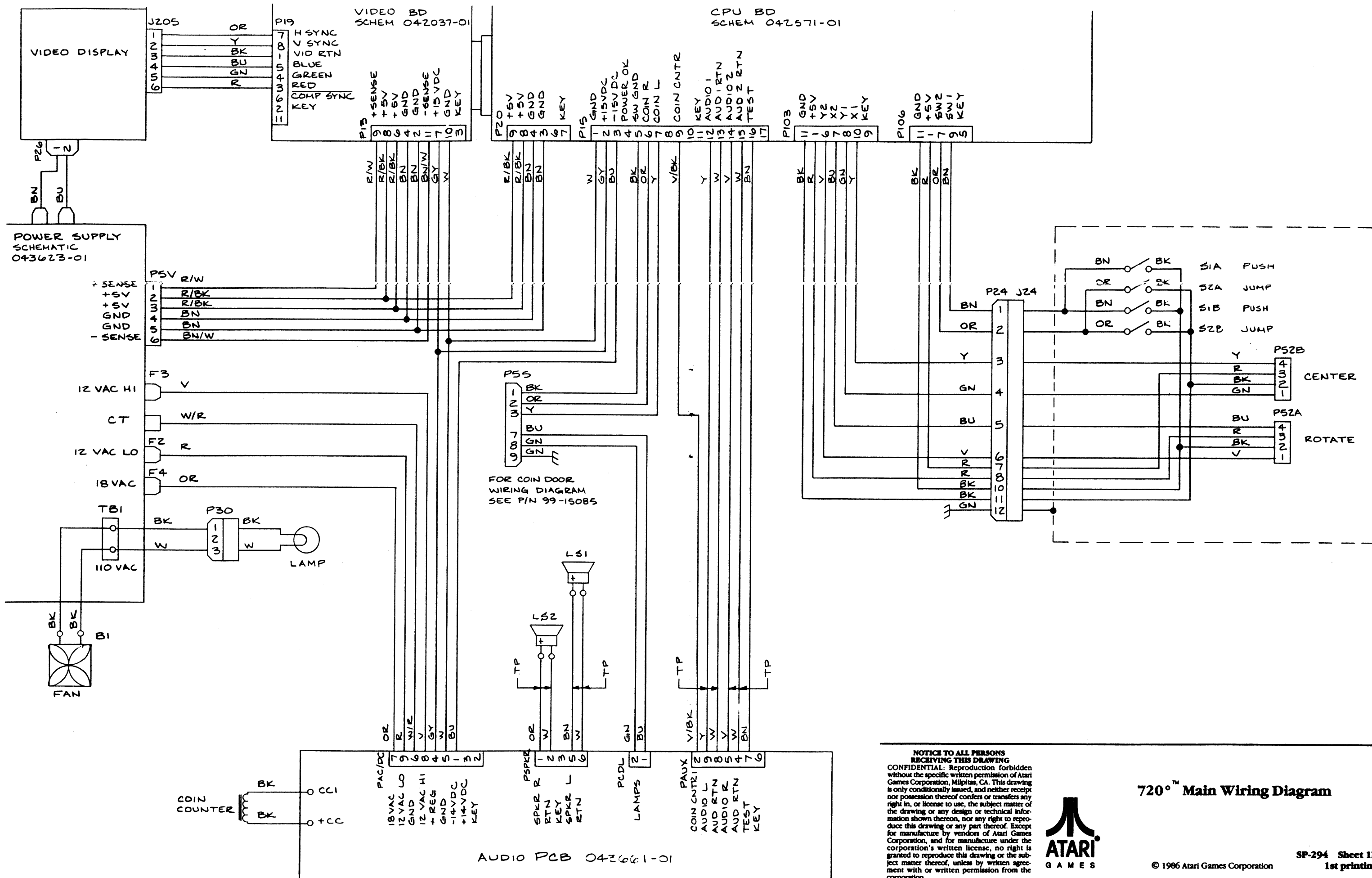
Power Input	Sheet 9A
Video/CPU Buffers, Address Decoding Control Signals	Sheet 9B
Video Clock, Sync Chain and Timing Stobes	Sheet 10A
Alphanumeric/Motion Object RAM	Sheet 10B
Motion Object ROM Addressing, Link List Address Latch	Sheet 11A
Alphanumeric ROM Addressing, Playfield Data Latch Stobes, Playfield Bank Select	Sheet 11B
Playfield RAM Addressing, Playfield Data Latches, Playfield RAM, Playfield ROM Addressing, Alphanumeric ROM	Sheet 12A
Motion Object ROM	Sheet 12B
Playfield ROM	Sheet 13A
Motion Object Line Buffers	Sheet 13B
Playfield Horizontal Scroll Registers, Playfield Vertical Scroll Registers	Sheet 14A
Playfield Scrolling, Prioritizing Logic	Sheet 14B
Color RAM, Color RAM Addressing and Data Buffers, Alphanumeric Color Palettes Selects	Sheet 15A
Data Latches and Blanking, Video Intensity Control and Driver Enables	Sheet 15B
Output Drivers	Sheet 16A

Schematic Package Supplement to the 720°™ Operators Manual



NOTE
This staple temporarily holds the schematic package together. Remove the staple before using these schematics.

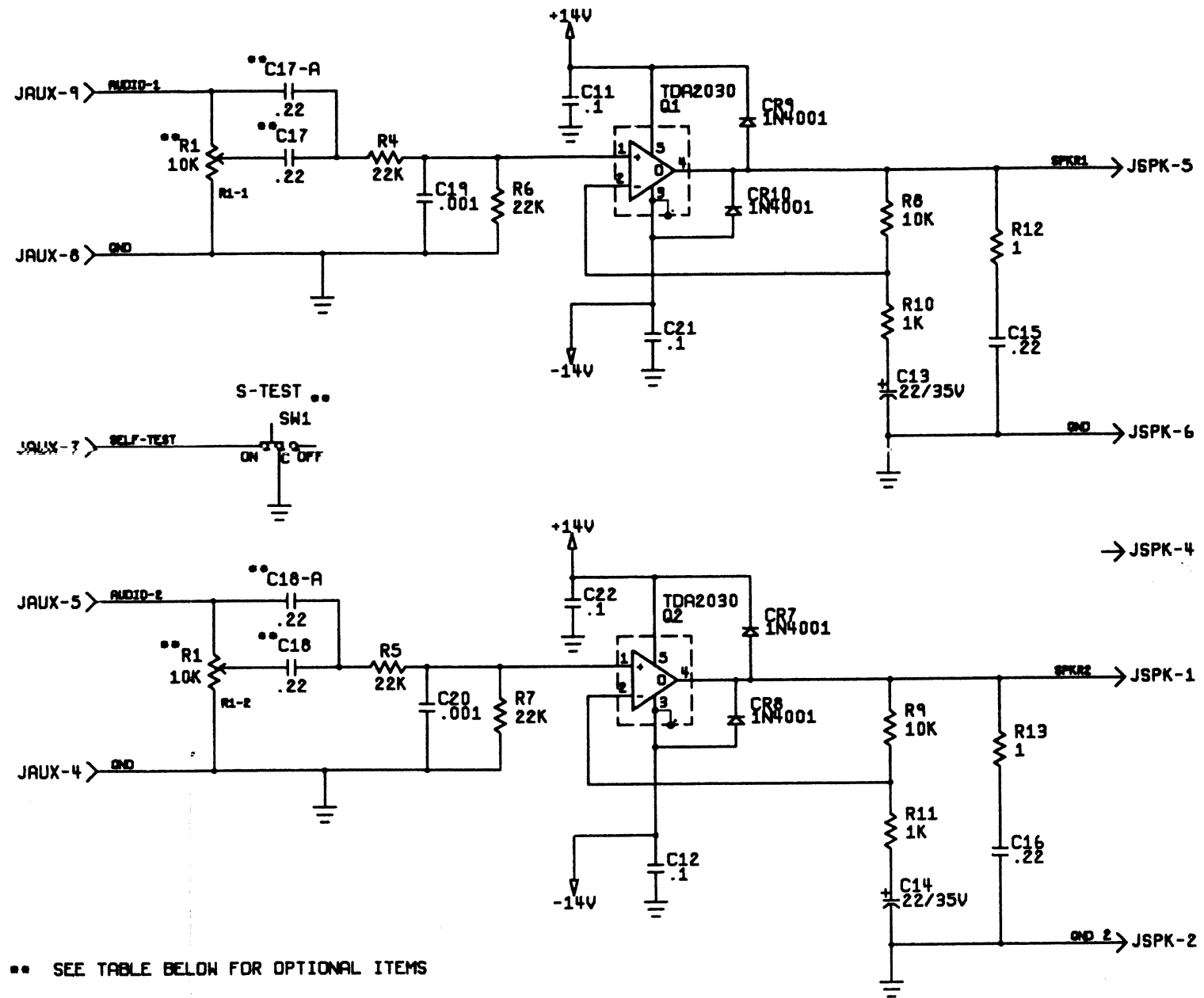
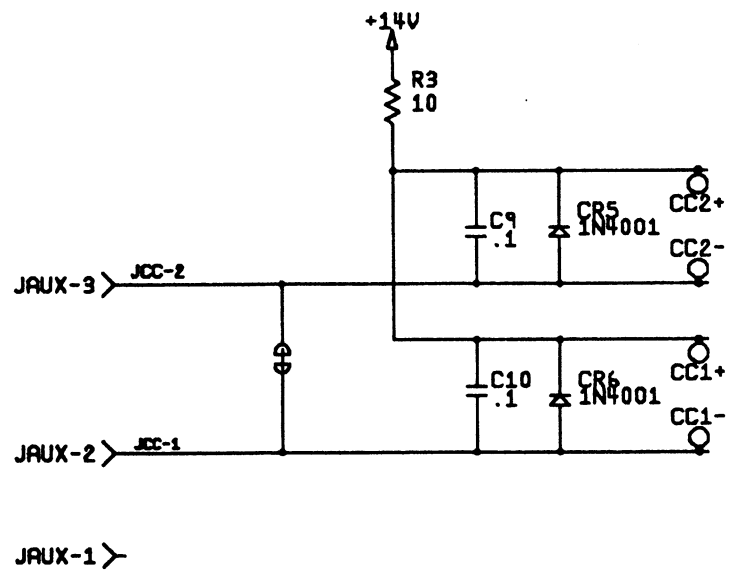
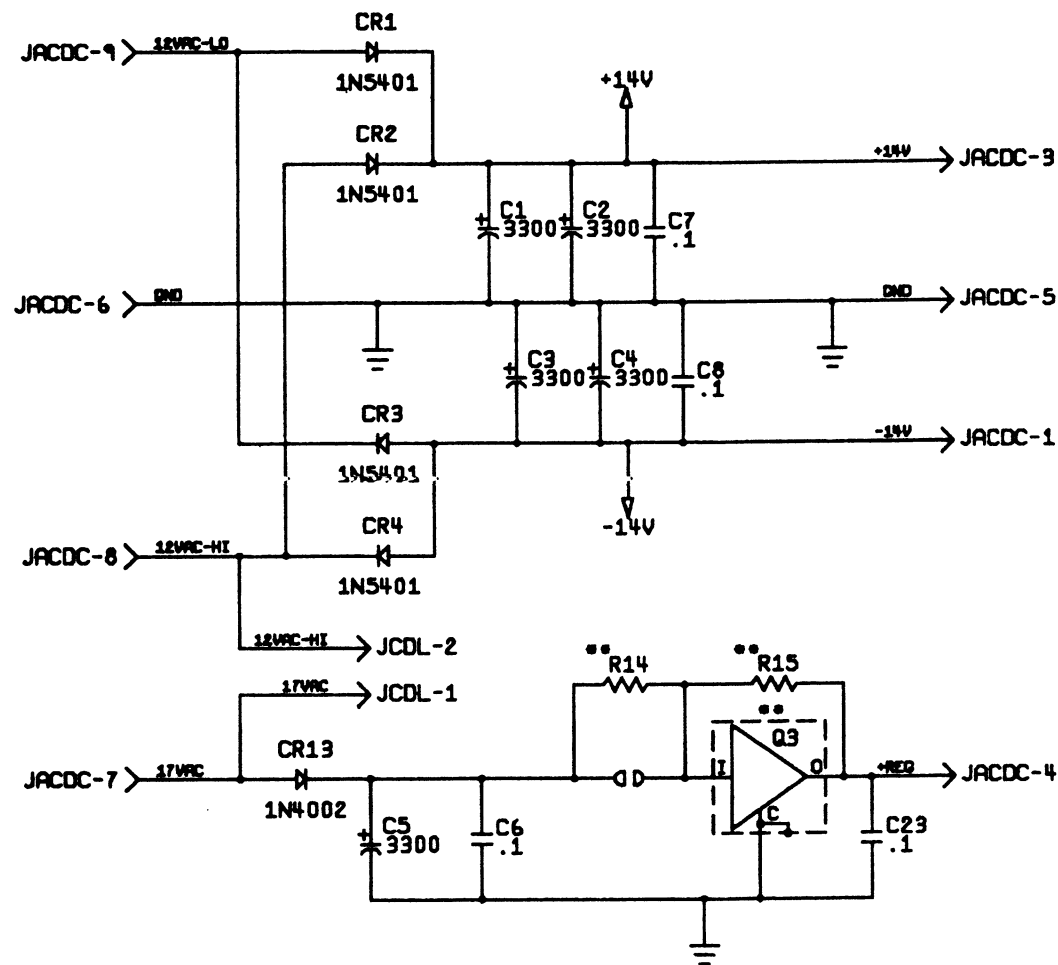




NOTICE TO ALL PERSONS RECEIVING THIS DRAWING
 CONFIDENTIAL. Reproduction forbidden without the specific written permission of Atari Games Corporation, Milpitas, CA. This drawing is only conditionally issued, and neither receipt nor possession thereof confers or transfers any right in, or license to use, the subject matter of the drawing or any design or technical information shown thereon, nor any right to reproduce this drawing or any part thereof. Except for manufacture by vendors of Atari Games Corporation, and for manufacture under the corporation's written license, no right is granted to reproduce this drawing or the subject matter thereof, unless by written agreement with or written permission from the corporation.



720°™ Main Wiring Diagram



•• SEE TABLE BELOW FOR OPTIONAL ITEMS

DESIGNATION	VALUE	-01	-02
R1	10K POT	YES	YES
C17, C18	.22	YES	YES
C17-A, C18-A	.22	NO	NO
SW1	ON/OFF	YES	YES
Q3	SEE VER COL	LM7815	LM7812
R14	SEE VER COL	0 OHM	0 OHM
R15	0	NO	NO

NOTICE TO ALL PERSONS RECEIVING THIS DRAWING
 CONFIDENTIAL: Reproduction forbidden without the specific written permission of Atari Games Corporation, Milpitas, CA. This drawing is only conditionally issued, and neither receipt nor possession thereof confers or transfers any right in, or license to use, the subject matter of the drawing or any design or technical information shown thereon, nor any right to reproduce this drawing or any part thereof. Except for manufacture by vendors of Atari Games Corporation, and for manufacture under the corporation's written license, no right is granted to reproduce this drawing or the subject matter thereof, unless by written agreement with or written permission from the corporation.

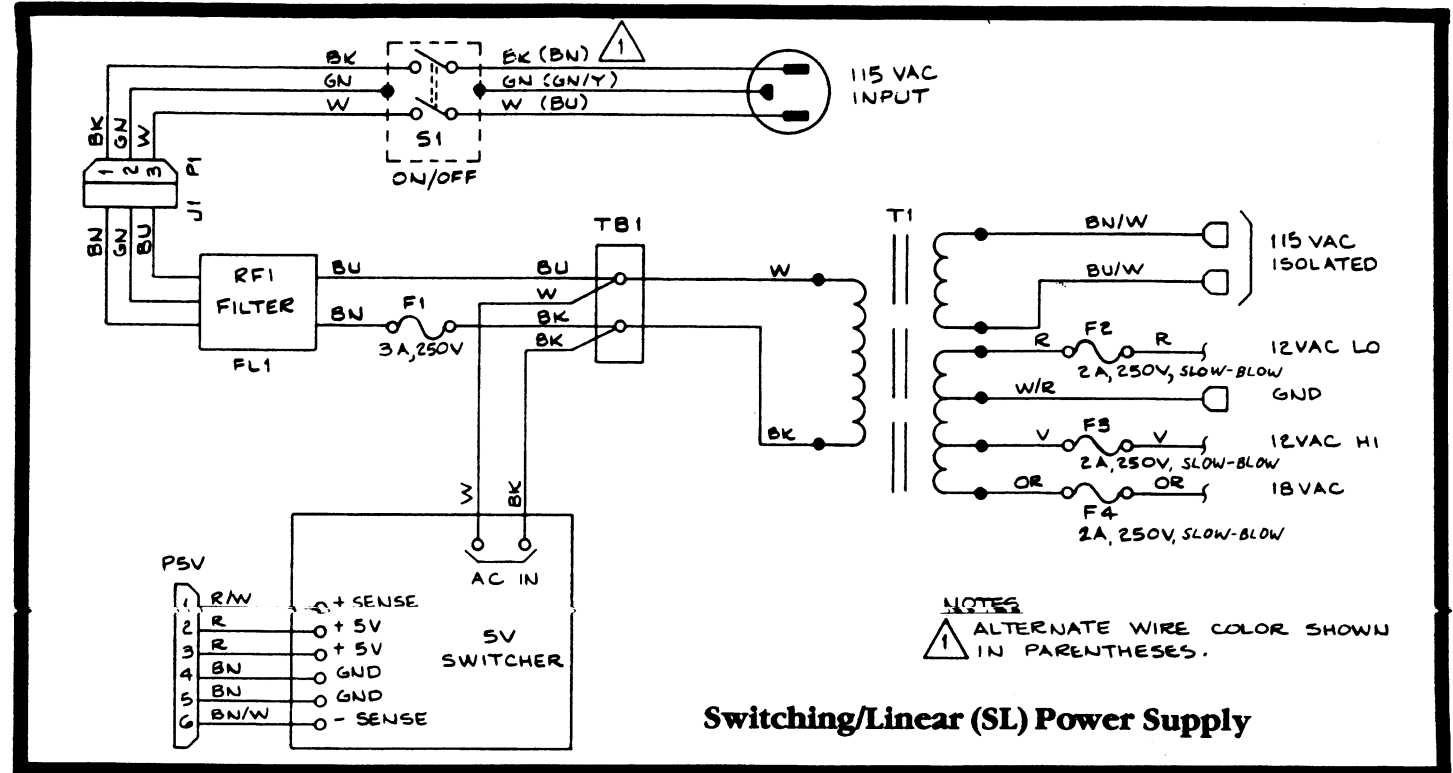
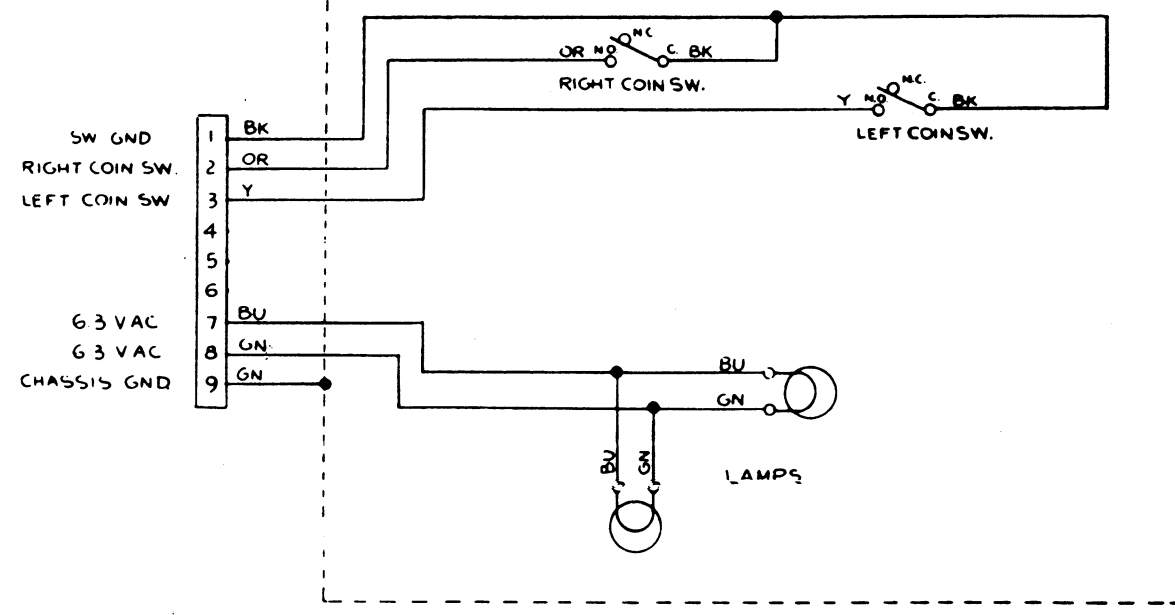


**720™ Audio II
 PCB Schematic Diagram**

© 1986 Atari Games Corporation

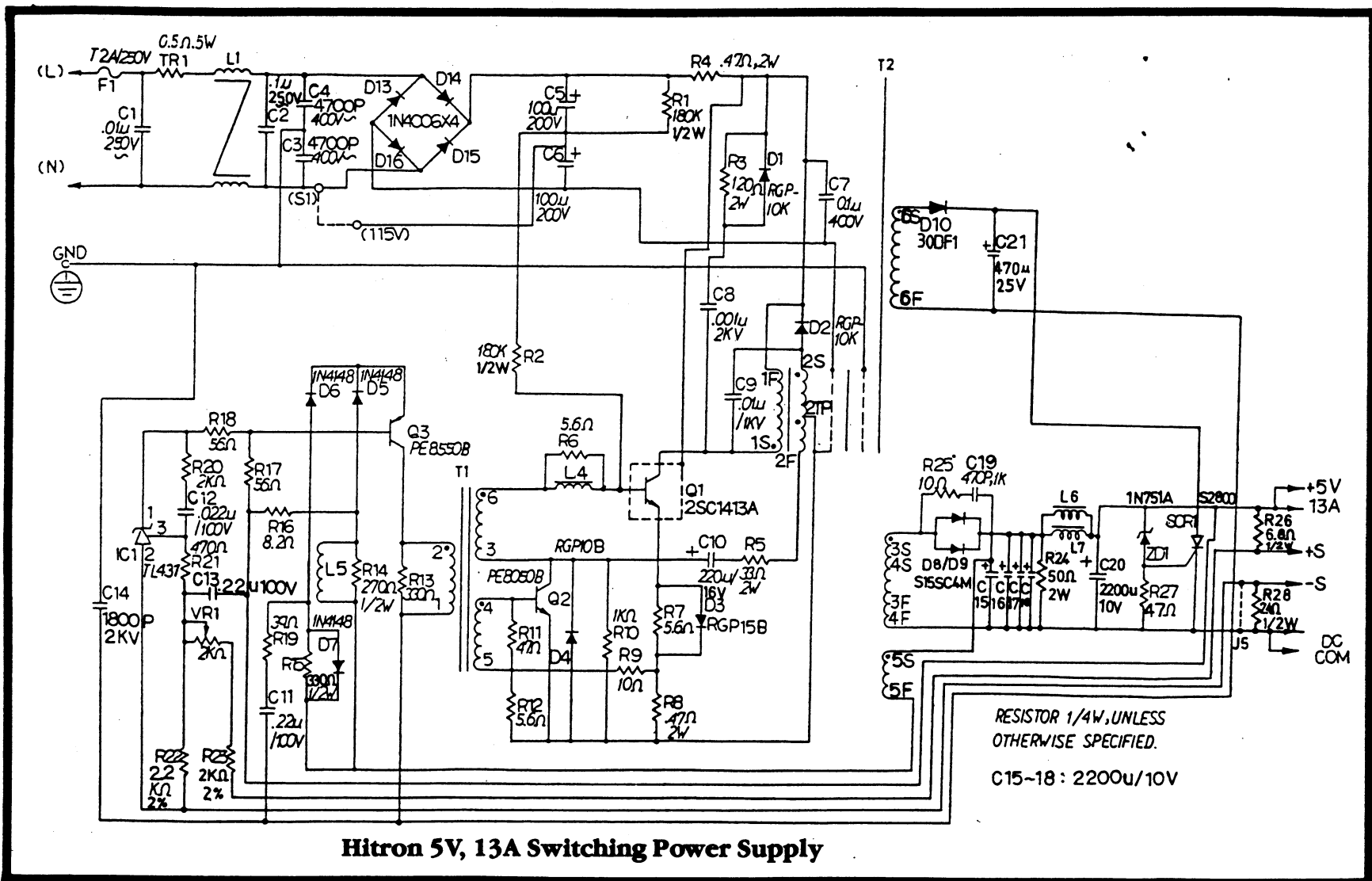
SP-294 Sheet 2A
 1st printing

Coin Door Wiring Diagram



Switching/Linear (SL) Power Supply

NOTES
 ⚠ ALTERNATE WIRE COLOR SHOWN IN PARENTHESES.



Hitron 5V, 13A Switching Power Supply

RESISTOR 1/4W, UNLESS OTHERWISE SPECIFIED.
 C15-18: 2200u/10V

NOTICE TO ALL PERSONS RECEIVING THIS DRAWING
 CONFIDENTIAL: Reproduction forbidden without the specific written permission of Atari Games Corporation, Milpitas, CA. This drawing is only conditionally issued, and neither receipt nor possession thereof confers or transfers any right in, or license to use, the subject matter of the drawing or any design or technical information shown thereon, nor any right to reproduce this drawing or any part thereof. Except for manufacture by vendors of Atari Games Corporation, and for manufacture under the corporation's written license, no right is granted to reproduce this drawing or the subject matter thereof, unless by written agreement with or written permission from the corporation.



(SL) Power Supply, Coin Door, and 5V, 13A Power Supply Wiring Diagrams

© 1986 Atari Games Corporation

SP-294 Sheet 2B
 1st printing

Main Microprocessor (T-11) Memory Map

Octal	Address Bus Signal Lines										R/W	Data Bus Signal Lines										Function and Size
	A A A A A A A A A A A A A A A A											D D D D D D D D D D D D D D D D										
	1 1 1 1 1 1 0 0 0 0 0 0 0 0 0 0											1 1 1 1 1 1 0 0 0 0 0 0 0 0 0 0										
5 4 3 2 1 0 9 8 7 6 5 4 3 2 1 0										5 4 3 2 1 0 9 8 7 6 5 4 3 2 1 0												
00000-00777	0 0 0 0 A A A A A A A A A A A A	R/W	D D D D D D D D D D D D D D D D	Program RAM (4KB)																		
010000-010436	0 0 0 1 0 0 A A A A A A A A A A	W	D D D D D D D D D D D D D D D D	Color RAM (144W)																		
"	0 0 0 1 0 0 A A A A A A A A A A	W	D D D D D D D D D D D D D D D D	Z (Intensity)																		
"	0 0 0 1 0 0 A A A A A A A A A A	W	D D D D D D D D D D D D D D D D	Blue																		
"	0 0 0 1 0 0 A A A A A A A A A A	W	D D D D D D D D D D D D D D D D	Green																		
"	0 0 0 1 0 0 A A A A A A A A A A	W	D D D D D D D D D D D D D D D D	Red																		
010000-010176	0 0 0 1 0 0 0 0 A A A A A A A A	W	D D D D D D D D D D D D D D D D	Motion Object Color RAM (64W)																		
010200-010276	0 0 0 1 0 0 0 1 A A A A A A A A	W	D D D D D D D D D D D D D D D D	Alphanumeric Color RAM (16W)																		
010400-010776	0 0 0 1 0 0 1 0 0 0 A A A A A A	W	D D D D D D D D D D D D D D D D	Playfield Color RAM (128W)																		
012000	0 0 0 1 0 1 0 0 0 0 0	W	D D D D D D D	Program Page 0 Address																		
012002	0 0 0 1 0 1 0 0 0 0 1	W	D D D D D D D	Program Page 1 Address																		
012200	0 0 0 1 0 1 0 0 0 1	W	D D D D D D D	A/D Converter Start Strobe																		
012000-012002	0 0 0 1 0 1 0 0 0 A	R	D D D D D D D D D D	A/D Converter Output																		
012400	0 0 0 1 0 1 0 1 0	W	D D	Video Memory Page Select (VMMU)																		
012600	0 0 0 1 0 1 0 1 1 0 0	W		IRQ0 Clear																		
012640	0 0 0 1 0 1 0 1 1 0 1	W		6502 Reset																		
012700	0 0 0 1 0 1 0 1 1 1 0	W		IRQ2 Clear																		
012740	0 0 0 1 0 1 0 1 1 1 1	W		IRQ3 Clear																		
013000	0 0 0 1 0 1 1 0 0	W		IRQ0 Enable 6502 RD (Active High)																		
013000	0 0 0 1 0 1 1 0 0	W		IRQ1 Enable 6502 WT (Active High)																		
013000	0 0 0 1 0 1 1 0 0	W		IRQ2 Enable 32V (Active High)																		
013000	0 0 0 1 0 1 1 0 0	W		IRQ3 Enable VBLANK (Active High)																		
013200	0 0 0 1 0 1 1 0 1	W	D D D D D D D D D D	Communications Port Write																		
013400	0 0 0 1 0 1 1 1 0	W	D D D D D D D D D D D D D D	Horizontal Scroll & PF Bank 0																		
013600	0 0 0 1 0 1 1 1 1	W	D D D D D D D D D D D D D D	Vertical Scroll & PF Bank 1																		
014000	0 0 0 1 1 0 0 0 0	R		SW 6 (Active Low)																		
014000	0 0 0 1 1 0 0 0 0	R		SW 5 (Active Low)																		
014000	0 0 0 1 1 0 0 0 0	R		SW 4 (Active Low)																		
014000	0 0 0 1 1 0 0 0 0	R		SW 3 (Active Low)																		
014000	0 0 0 1 1 0 0 0 0	R		6502 Comm. Flag (Active High)																		
014000	0 0 0 1 1 0 0 0 0	R		T-11 Comm. Flag (Active High)																		
014000	0 0 0 1 1 0 0 0 0	R		SW 2 (Active Low)																		
014000	0 0 0 1 1 0 0 0 0	R		SW 1 (Active Low)																		
014000	0 0 0 1 1 0 0 0 0	R	D	Self-Test (Active Low)																		
016000	0 0 0 1 1 1 0 0 0	R	D D D D D D D D D D	Communications Port Read																		
020000-033776	0 0 1 A A A A A A A A A A A A A A	R/W	D D D D D D D D D D D D D D D D	Alphanumerics RAM (VMMU=0) (3KW)																		
"	0 0 1 A A A A A A A A A A A A A A	R/W	D D D D D D D D D D D D D D D D	ANPIC																		
034000-037776	0 0 1 1 1 A A A A A A A A A A A A	R/W	D D D D D D D D D D D D D D D D	Motion Object RAM (VMMU=0) (1KW)																		
"	0 0 1 1 1 A A A A A A A A A A 0 0	R/W	D D D D D D D D D D D D D D D D	MOV																		
"	0 0 1 1 1 A A A A A A A A A A 0 1	R/W	D D D D D D D D D D D D D D D D	MOPIC																		
"	0 0 1 1 1 A A A A A A A A A A 1 0	R/W	D D D D D D D D D D D D D D D D	MOH																		
"	0 0 1 1 1 A A A A A A A A A A 1 1	R/W	D D D D D D D D D D D D D D D D	MOLNK																		
020000-037776	0 0 1 A A A A A A A A A A A A A A	R/W	D D D D D D D D D D D D D D D D	Playfield RAM Top (VMMU=2) (4KW)																		
020000-037776	0 0 1 A A A A A A A A A A A A A A	R/W	D D D D D D D D D D D D D D D D	Playfield RAM Bottom (VMMU=3) (4KW)																		
040000-057776	0 1 0 A A A A A A A A A A A A A A	R	D D D D D D D D D D D D D D D D	Paged Program (Page 0) (4KW)																		
060000-077776	0 1 1 A A A A A A A A A A A A A A	R	D D D D D D D D D D D D D D D D	Paged Program (Page 1) (4KW)																		
100000-177776	1 A A A A A A A A A A A A A A A A	R	D D D D D D D D D D D D D D D D	Program ROM (16KW)																		

NOTICE TO ALL PERSONS RECEIVING THIS DRAWING
 CONFIDENTIAL: Reproduction forbidden without the specific written permission of Atari Games Corporation, Milpitas, CA. This drawing is only conditionally issued, and neither receipt nor possession thereof confers or transfers any right in, or license to use, the subject matter of the drawing or any design or technical information shown thereon, nor any right to reproduce this drawing or any part thereof. Except for manufacture by vendors of Atari Games Corporation, and for manufacture under the corporation's written license, no right is granted to reproduce this drawing or the subject matter thereof, unless by written agreement with or written permission from the corporation.



720° Main Microprocessor Memory Map

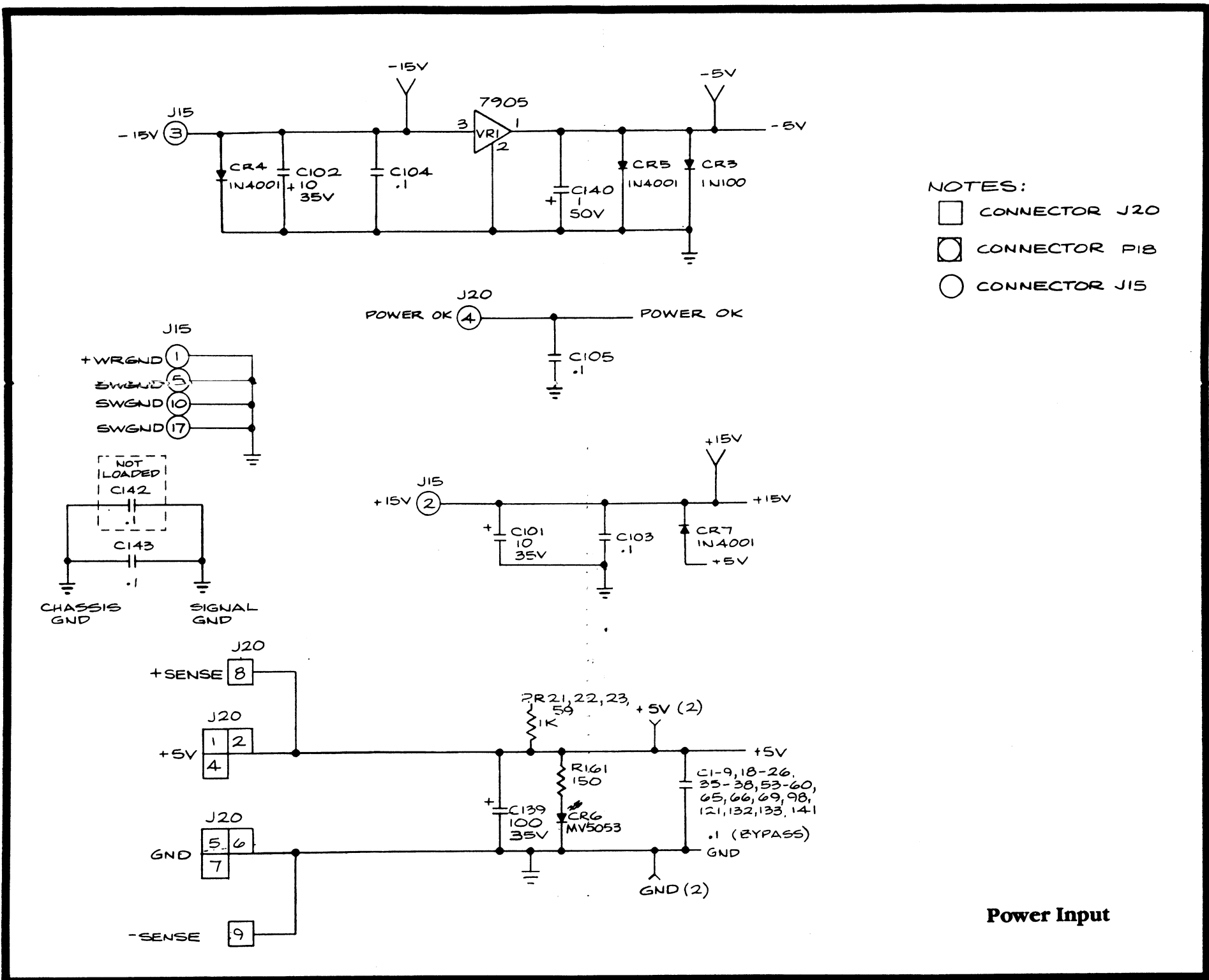
Sound Microprocessor (6502) Memory Map

Hexa- decimal	A A A A A A A A A A A A A A A A	R/W	D D D D D D D D D D	Function and Size
Hexa- decimal	1 1 1 1 1 1 0 0 0 0 0 0 0 0 0 0	R/W	0 0 0 0 0 0 0 0 0 0	
Hexa- decimal	5 4 3 2 1 0 9 8 7 6 5 4 3 2 1 0	R/W	7 6 5 4 3 2 1 0	
0000-0FFF	0 0 0 0 A A A A A A A A A A A A	R/W	D D D D D D D D D D	Program RAM (4KB)
1000-17FF	0 0 0 1 0 A A A A A A A A A A A A	R/W	D D D D D D D D D D	EEROM (2KB)
1800-180F	0 0 1 1 0 0 0 A A A A A A A A A A	R/W	D D D D D D D D D D	POKEY 1 (16B)
1810-1813	0 0 1 1 0 0 1 A A A A A A A A A A	R	D D D D D D D D D D	LETA
1830-183F	0 0 1 1 0 1 1 A A A A A A A A A A	R/W	D D D D D D D D D D	POKEY 2 (16B)
1840	0 0 1 1 1 0 0 A A A A A A A A A A	R	D	T-11 Talk (Active High)
1840	0 0 1 1 1 0 0 A A A A A A A A A A	R	D	6502 Talk (Active High)
1840	0 0 1 1 1 0 0 A A A A A A A A A A	R	D	TI READY (Active High)
1840	0 0 1 1 1 0 0 A A A A A A A A A A	R	D	Self-Test Switch (Active Low)
1840	0 0 1 1 1 0 0 A A A A A A A A A A	R	D	Auxiliary Coin Switch (Active Low)
1840	0 0 1 1 1 0 0 A A A A A A A A A A	R	D	Left Coin Switch (Active Low)
1840	0 0 1 1 1 0 0 A A A A A A A A A A	R	D	Right Coin Switch (Active Low)
1850-1851	0 0 1 1 1 0 1 A A A A A A A A A A	R	D D D D D D D D D D	Yamaha Sound Chip
1860	0 0 1 1 1 1 0 A A A A A A A A A A	R	D D D D D D D D D D	Communications Port Read
1870	0 0 1 1 1 1 1 0 0 0 0 A A A A A A	W	D D D D D D D D D D	TI Data
1872-1873	0 0 1 1 1 1 1 0 0 1 A A A A A A	W	D D D D D D D D D D	TI Write Enable
1874	0 0 1 1 1 1 1 0 1 0 A A A A A A	W	D D D D D D D D D D	Communications Port Write
1876	0 0 1 1 1 1 1 0 1 1 A A A A A A	W	D	Right Coin Counter (Active High)
1876	0 0 1 1 1 1 1 0 1 1 A A A A A A	W	D	Left Coin Counter (Active High)
1878	0 0 1 1 1 1 1 0 0 A A A A A A	W	D	IRQ Clear
187A	0 0 1 1 1 1 1 0 1 A A A A A A	W	D D D	Yamaha Mixer
187A	0 0 1 1 1 1 1 0 1 A A A A A A	W	D D	POKEY Mixer
187A	0 0 1 1 1 1 1 0 1 A A A A A A	W	D D D	TI Sound Mixer
187C	0 0 1 1 1 1 1 1 0 A A A A A A	W	D	LED 1
187C	0 0 1 1 1 1 1 1 0 A A A A A A	W	D	LED 2
187C	0 0 1 1 1 1 1 1 0 A A A A A A	W	D	LETA Resolution
187C	0 0 1 1 1 1 1 1 0 A A A A A A	W	D	TI Frequency Select
187E	0 0 1 1 1 1 1 1 1 A A A A A A	W	D	Sound Enable (Active High)
4000-7FFF	0 1 A A A A A A A A A A A A A A A A	R	D D D D D D D D D D	Program ROM (16KB)
8000-FFFF	1 A A A A A A A A A A A A A A A A	R	D D D D D D D D D D	Program ROM (32KB)

NOTICE TO ALL PERSONS RECEIVING THIS DRAWING
 CONFIDENTIAL: Reproduction forbidden without the specific written permission of Atari Games Corporation, Milpitas, CA. This drawing is only conditionally issued, and neither receipt nor possession thereof confers or transfers any right in, or license to use, the subject matter of the drawing or any design or technical information shown thereon, nor any right to reproduce this drawing or any part thereof. Except for manufacture by vendors of Atari Games Corporation, and for manufacture under the corporation's written license, no right is granted to reproduce this drawing or the subject matter thereof, unless by written agreement with or written permission from the corporation.



720°™ Sound Microprocessor Memory Map



- NOTES:
- CONNECTOR J20
 - CONNECTOR P18
 - CONNECTOR J15

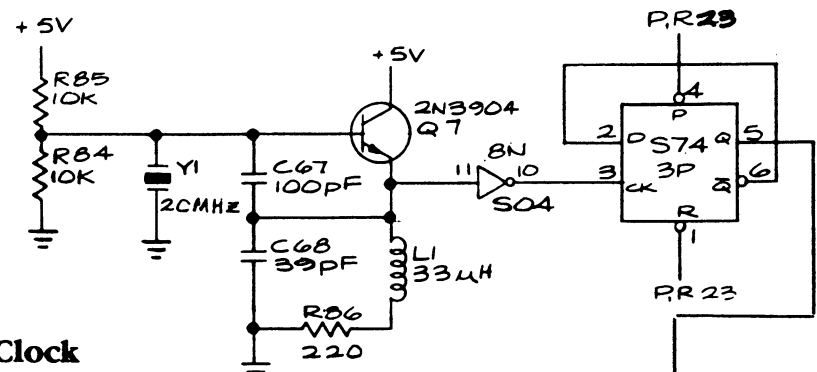
Power Input

NOTICE TO ALL PERSONS RECEIVING THIS DRAWING
 CONFIDENTIAL: Reproduction forbidden without the specific written permission of Atari Games Corporation, Milpitas, CA. This drawing is only conditionally issued, and neither receipt nor possession thereof confers or transfers any right in, or license to use, the subject matter of the drawing or any design or technical information shown thereon, nor any right to reproduce this drawing or any part thereof. Except for manufacture by vendors of Atari Games Corporation, and for manufacture under the corporation's written license, no right is granted to reproduce this drawing or the subject matter thereof, unless by written agreement with or written permission from the corporation.

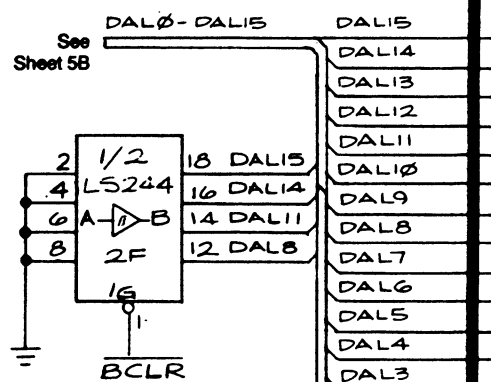


720°™ CPU PCB Schematic Diagram

T-11 Clock

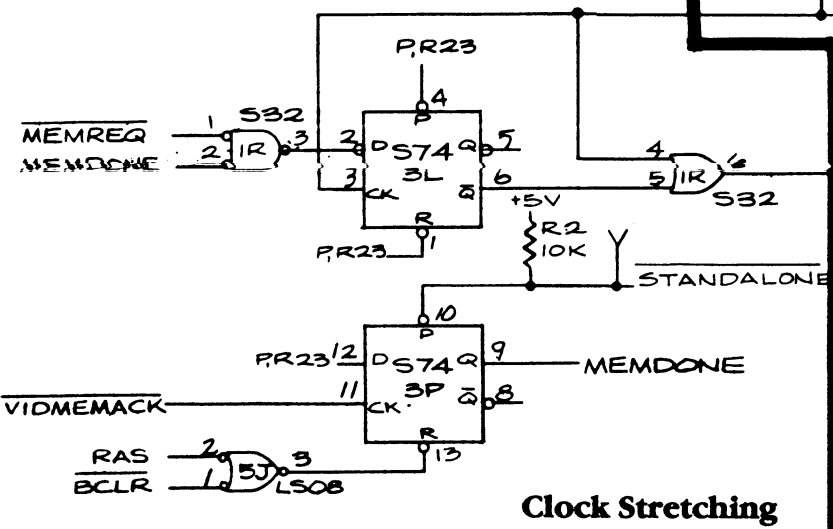


Mode Register

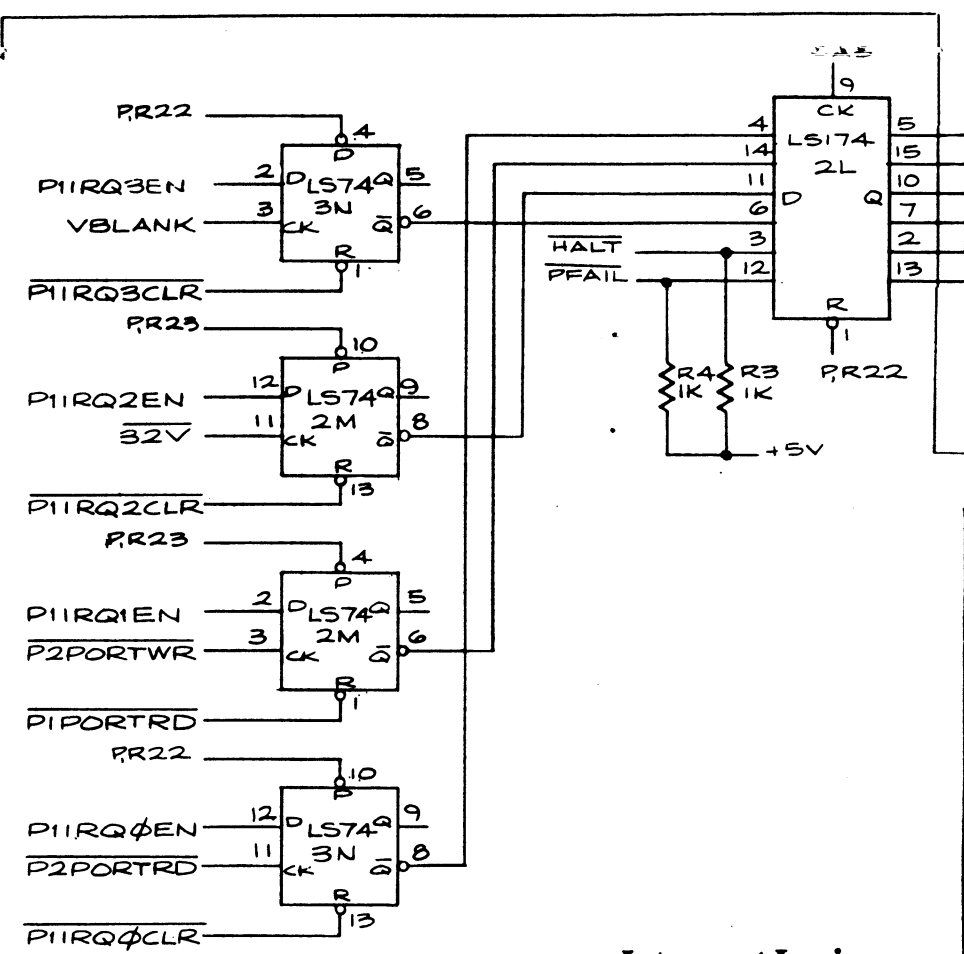


Extender Socket

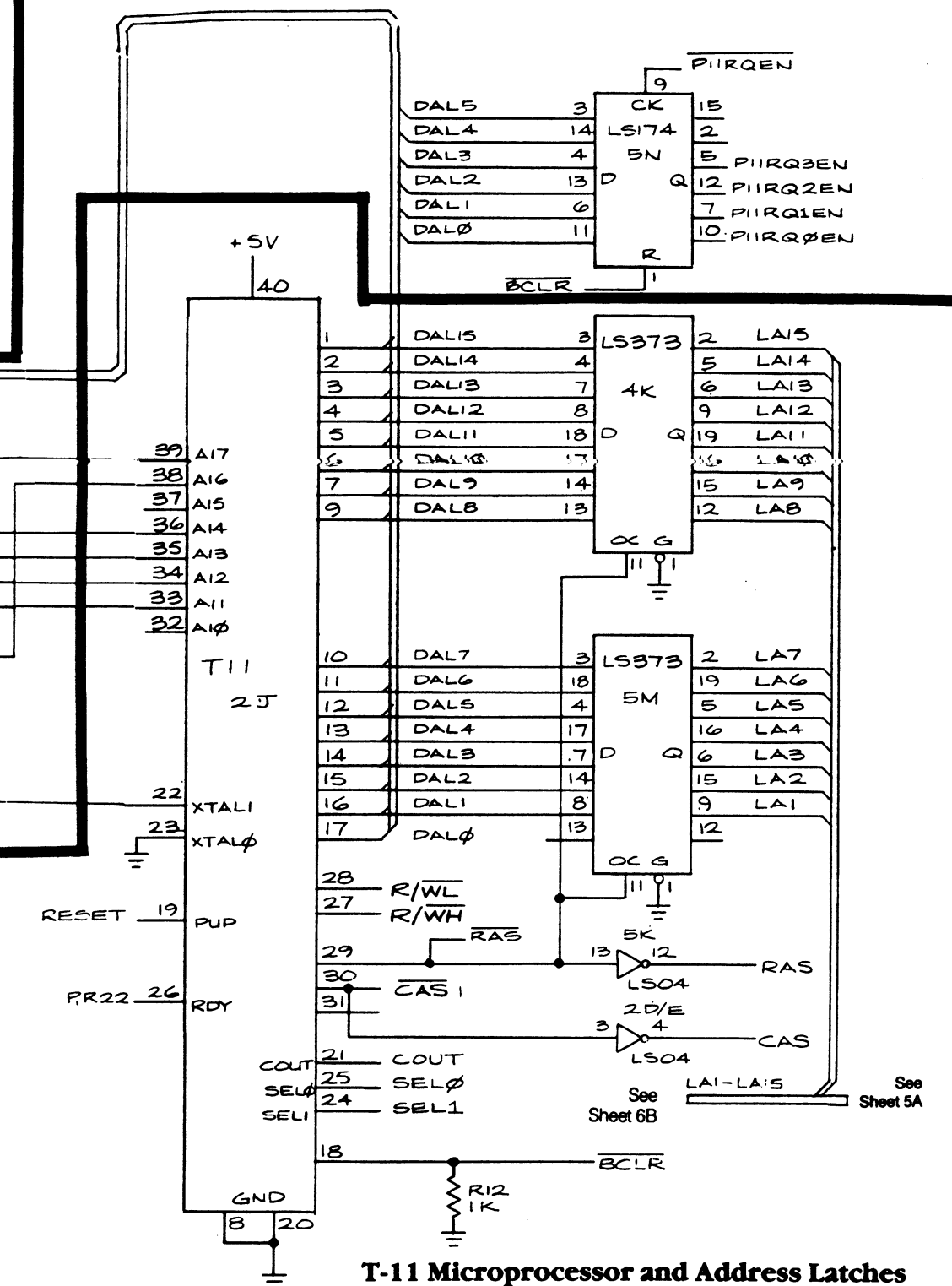
1	EXTENDER	28	+5V
2	SOCKET	27	COUT
3	IF	26	RESET
4		25	HALT
5		24	PFALL
6		23	SEL1
7		22	SEL0
8		21	R/WH
9		20	R/WL
10		19	CAS
11		18	RAS
12		17	DAL0
13		16	DAL1
14		15	DAL2



Clock Stretching



Interrupt Logic

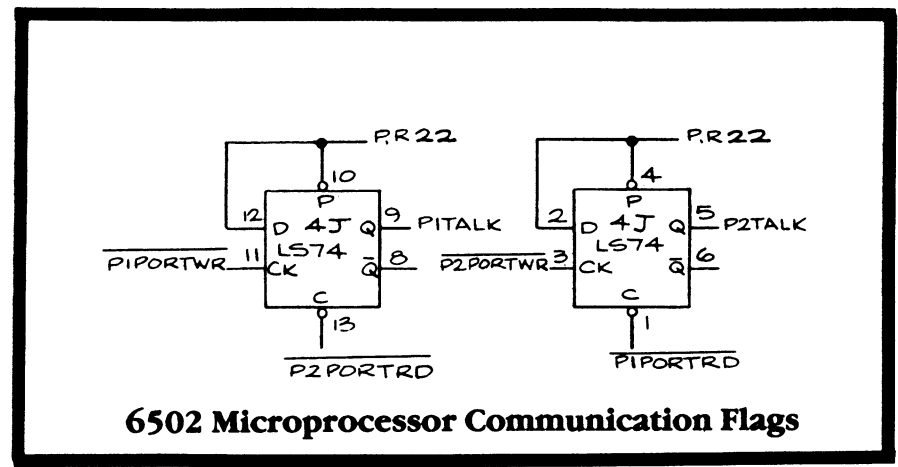
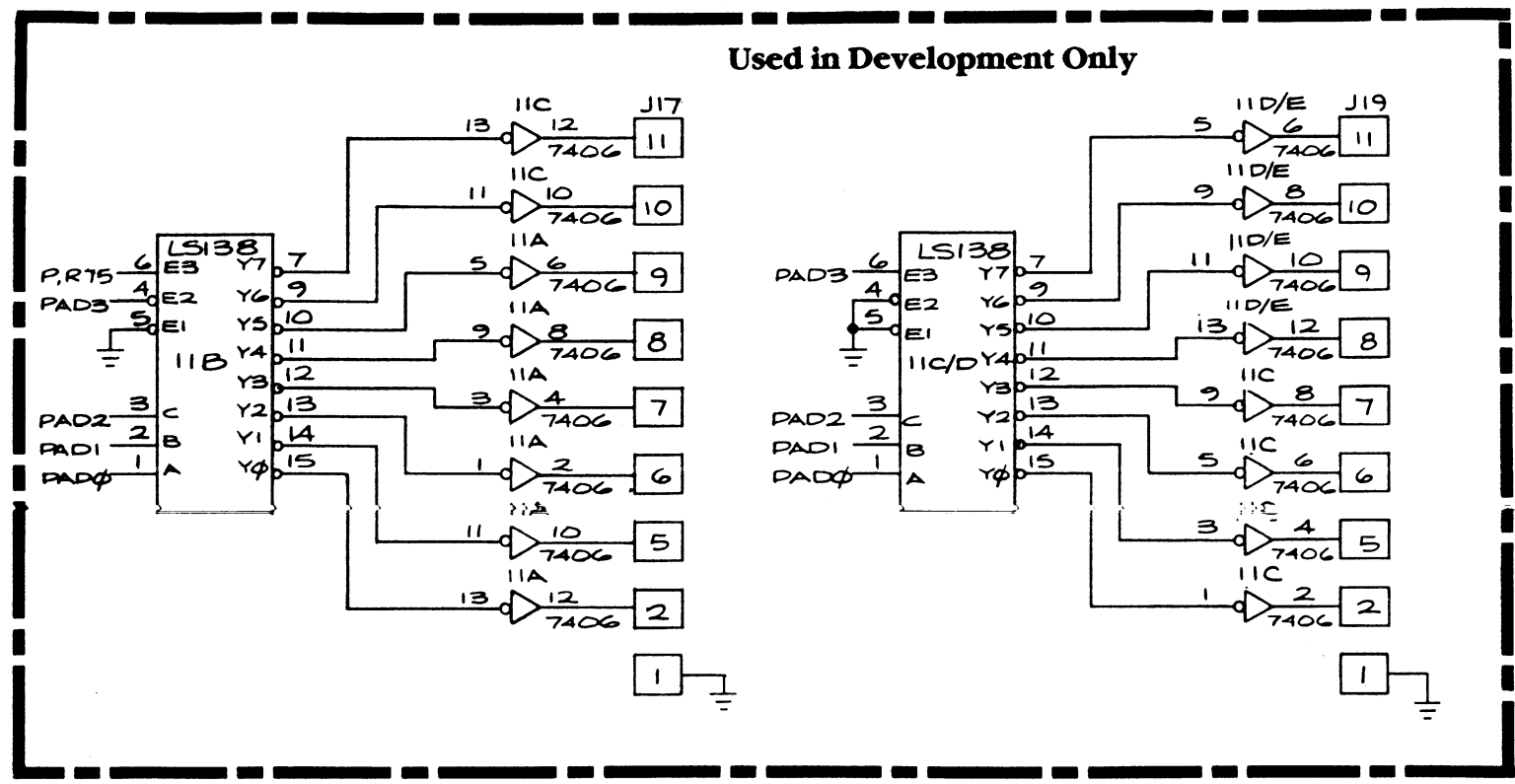
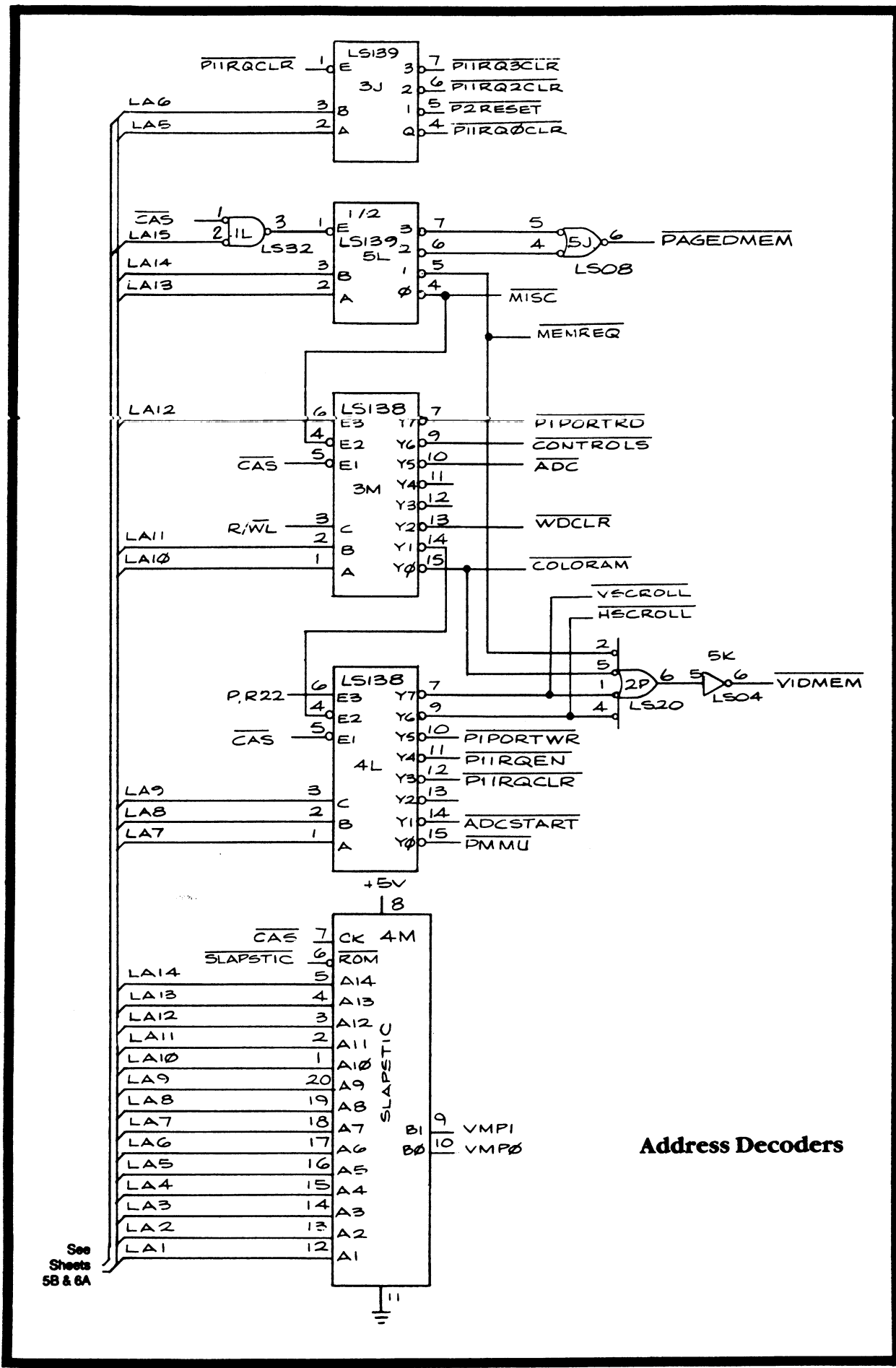


T-11 Microprocessor and Address Latches

NOTICE TO ALL PERSONS RECEIVING THIS DRAWING
 CONFIDENTIAL: Reproduction forbidden without the specific written permission of Atari Games Corporation, Milpitas, CA. This drawing is only conditionally issued, and neither receipt nor possession thereof confers or transfers any right in, or license to use, the subject matter of the drawing or any design or technical information shown thereon, nor any right to reproduce this drawing or any part thereof. Except for manufacture by vendors of Atari Games Corporation, and for manufacture under the corporation's written license, no right is granted to reproduce this drawing or the subject matter thereof, unless by written agreement with or written permission from the corporation.



720^o™ CPU PCB Schematic Diagram



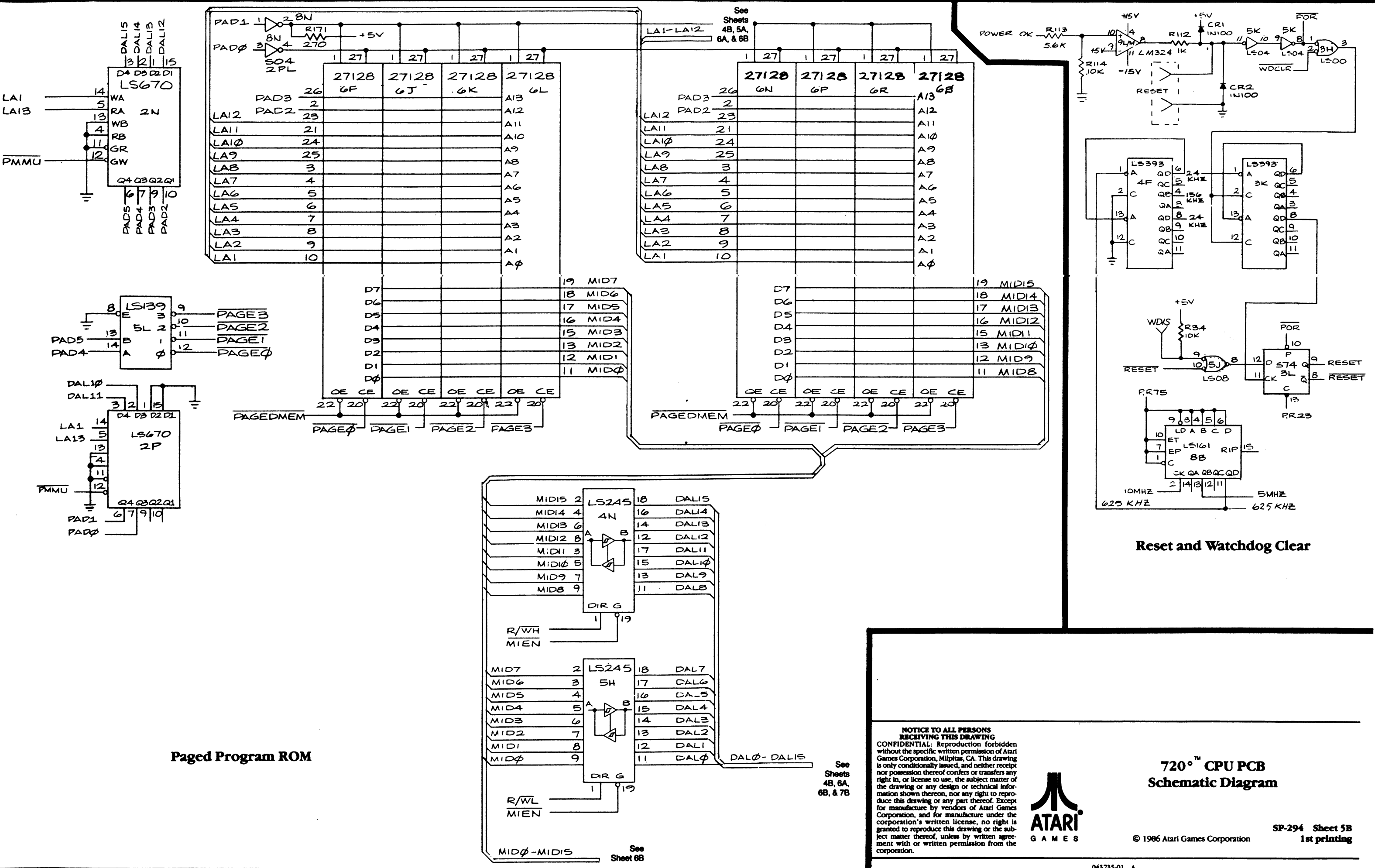
NOTICE TO ALL PERSONS RECEIVING THIS DRAWING
 CONFIDENTIAL: Reproduction forbidden without the specific written permission of Atari Games Corporation, Milpitas, CA. This drawing is only conditionally issued, and neither receipt nor possession thereof confers or transfers any right in, or license to use, the subject matter of the drawing or any design or technical information shown thereon, nor any right to reproduce this drawing or any part thereof. Except for manufacture by vendors of Atari Games Corporation, and for manufacture under the corporation's written license, no right is granted to reproduce this drawing or the subject matter thereof, unless by written agreement with or written permission from the corporation.



720™ CPU PCB Schematic Diagram

© 1986 Atari Games Corporation

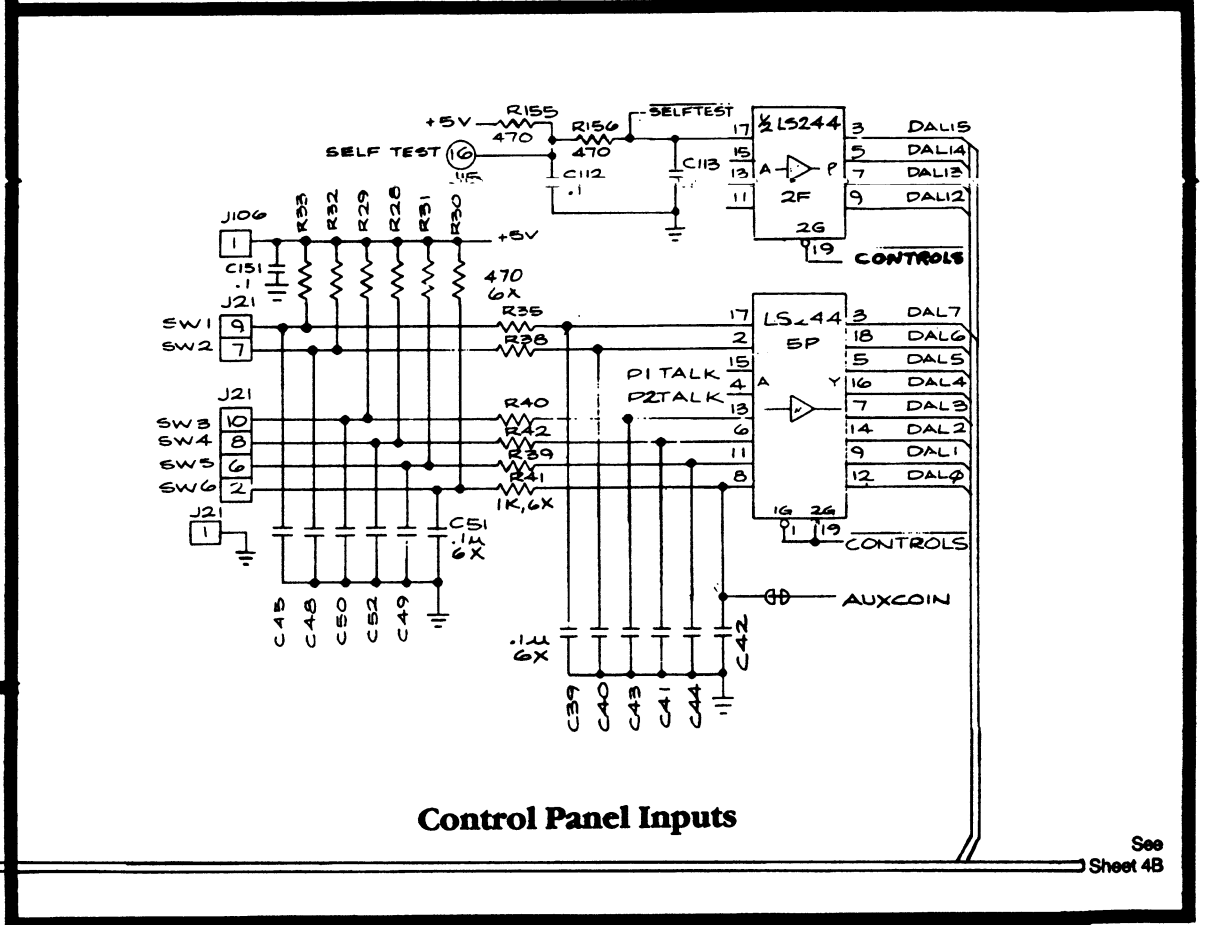
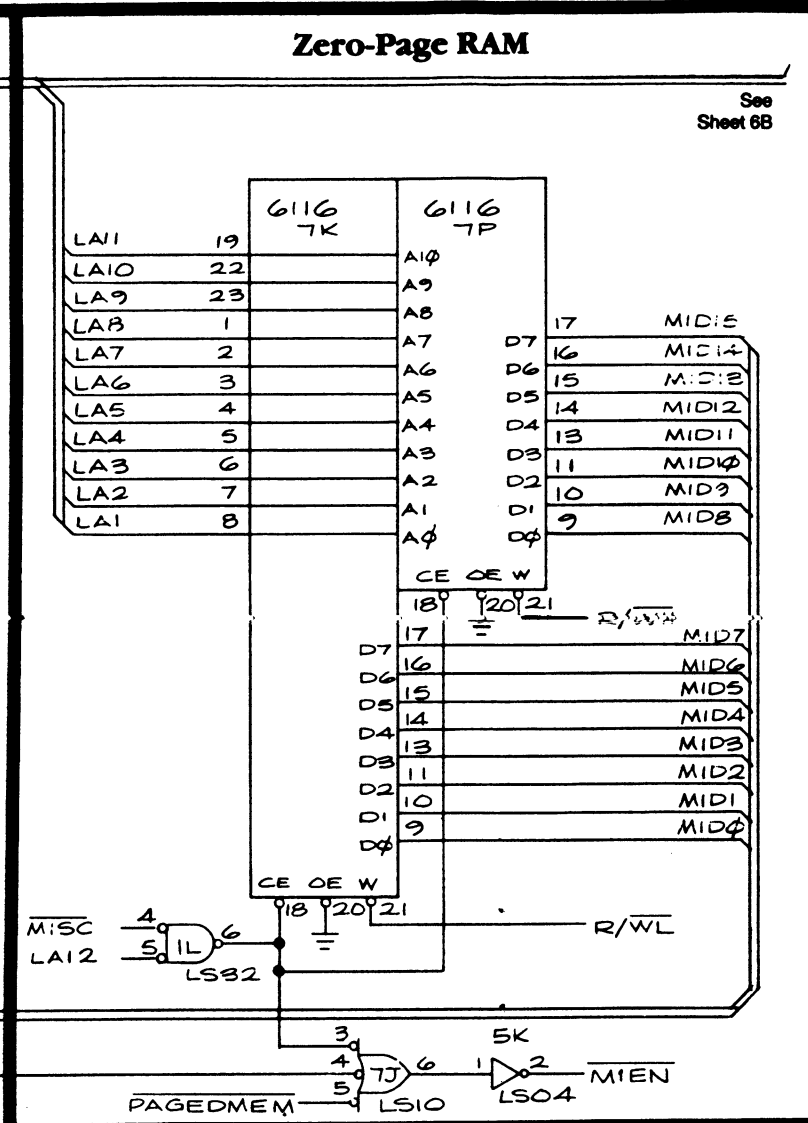
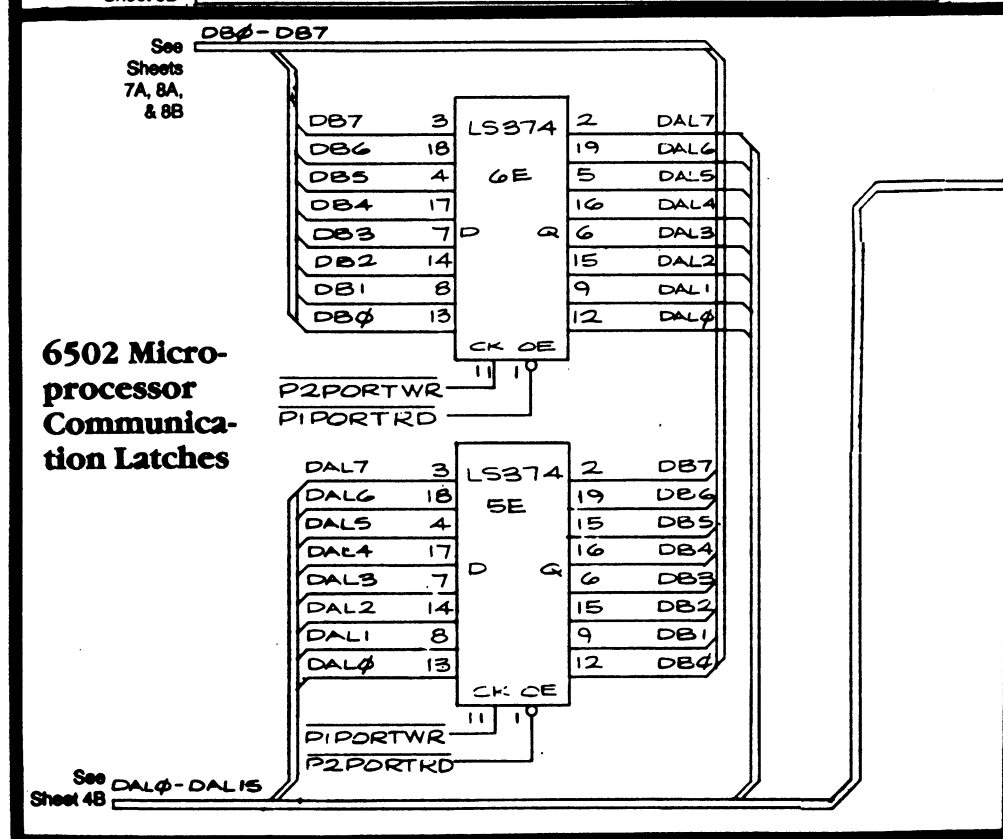
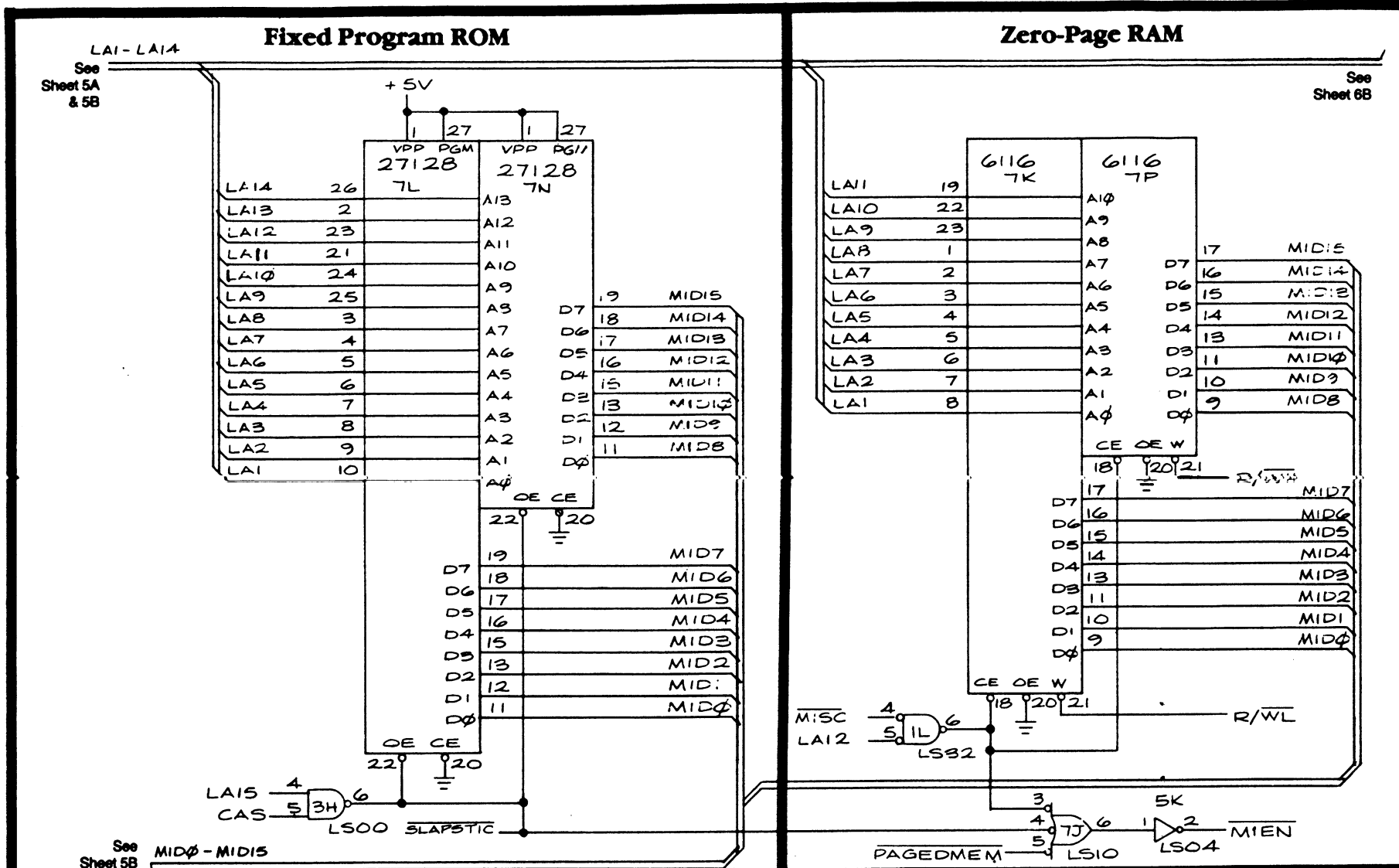
SP-294 Sheet 5A
 1st printing



NOTICE TO ALL PERSONS RECEIVING THIS DRAWING
 CONFIDENTIAL: Reproduction forbidden without the specific written permission of Atari Games Corporation, Milpitas, CA. This drawing is only conditionally issued, and neither receipt nor possession thereof confers or transfers any right in, or license to use, the subject matter of the drawing or any design or technical information shown thereon, nor any right to reproduce this drawing or any part thereof. Except for manufacture by vendors of Atari Games Corporation, and for manufacture under the corporation's written license, no right is granted to reproduce this drawing or the subject matter thereof, unless by written agreement with or written permission from the corporation.



720™ CPU PCB Schematic Diagram



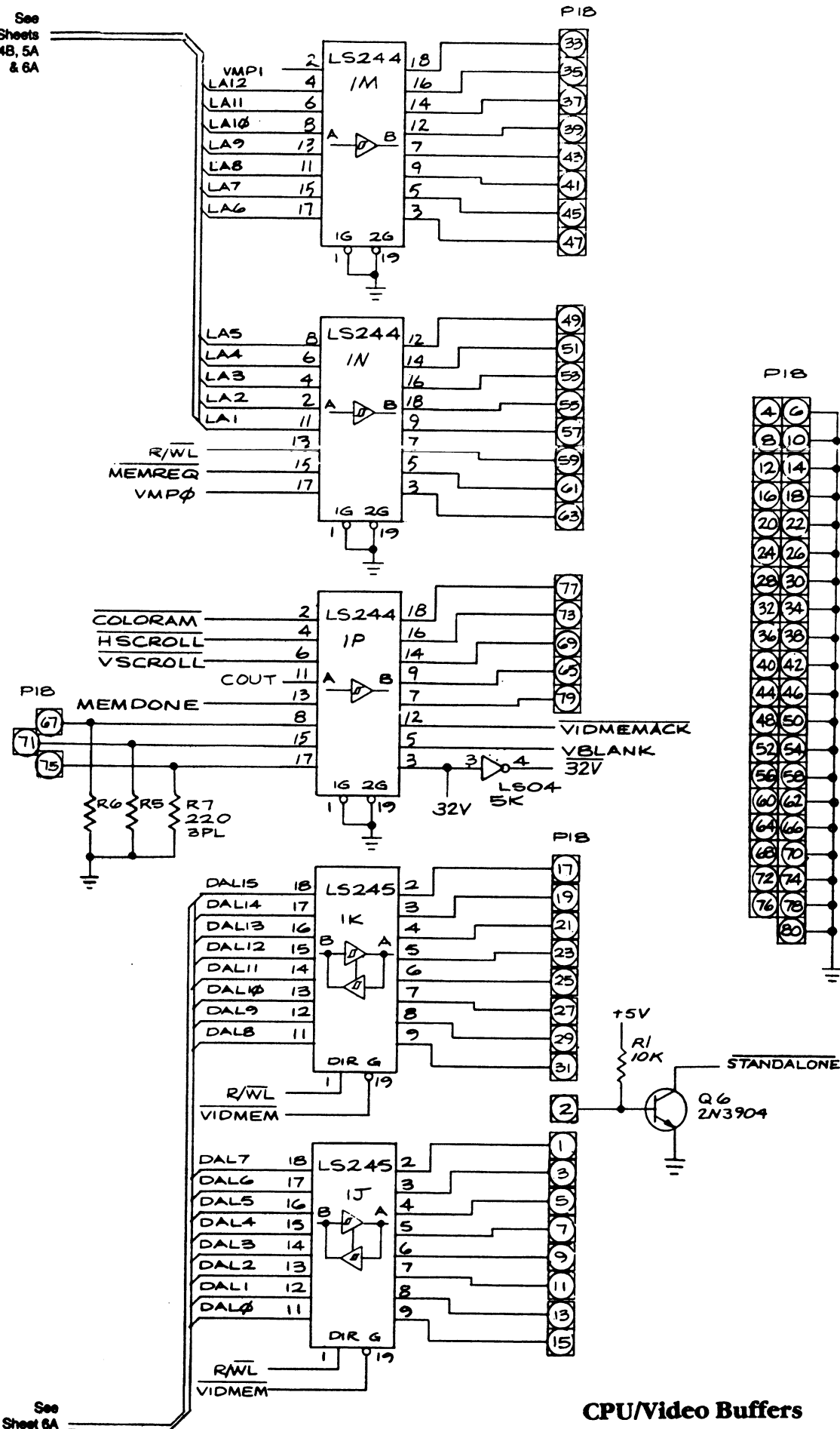
NOTICE TO ALL PERSONS RECEIVING THIS DRAWING

CONFIDENTIAL: Reproduction forbidden without the specific written permission of Atari Games Corporation, Milpitas, CA. This drawing is only conditionally issued, and neither receipt nor possession thereof confers or transfers any right in, or license to use, the subject matter of the drawing or any design or technical information shown thereon, nor any right to reproduce this drawing or any part thereof. Except for manufacture by vendors of Atari Games Corporation, and for manufacture under the corporation's written license, no right is granted to reproduce this drawing or the subject matter thereof, unless by written agreement with or written permission from the corporation.



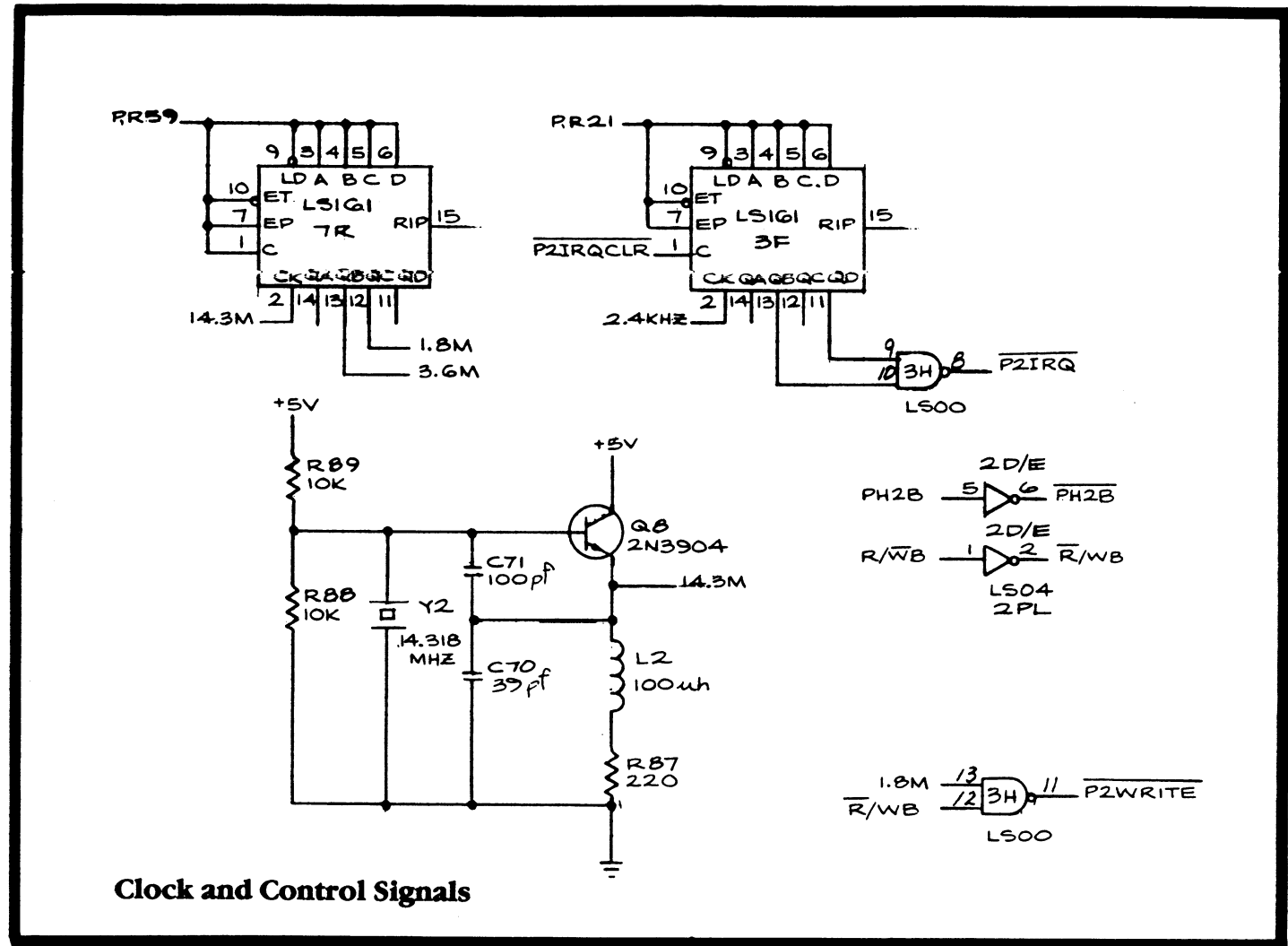
720™ CPU PCB Schematic Diagram

See
Sheets
4B, 5A
& 6A



See
Sheet 6A

CPU/Video Buffers



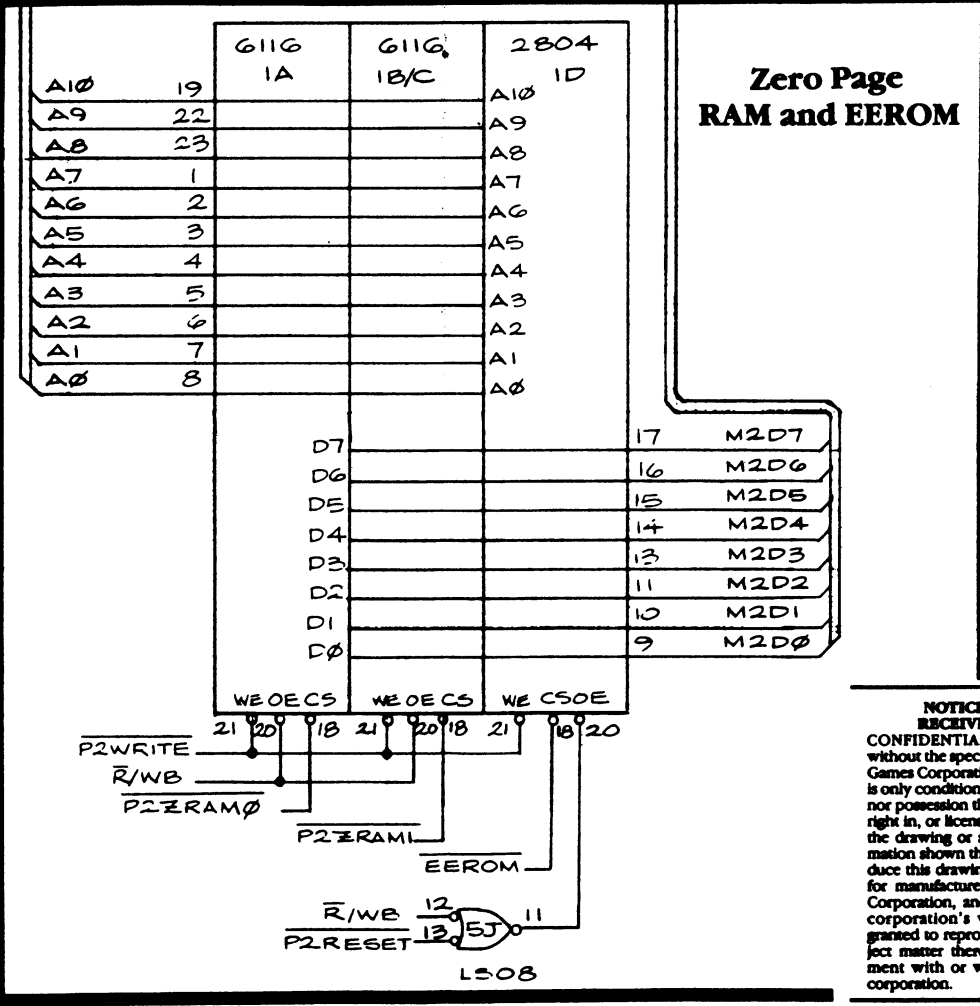
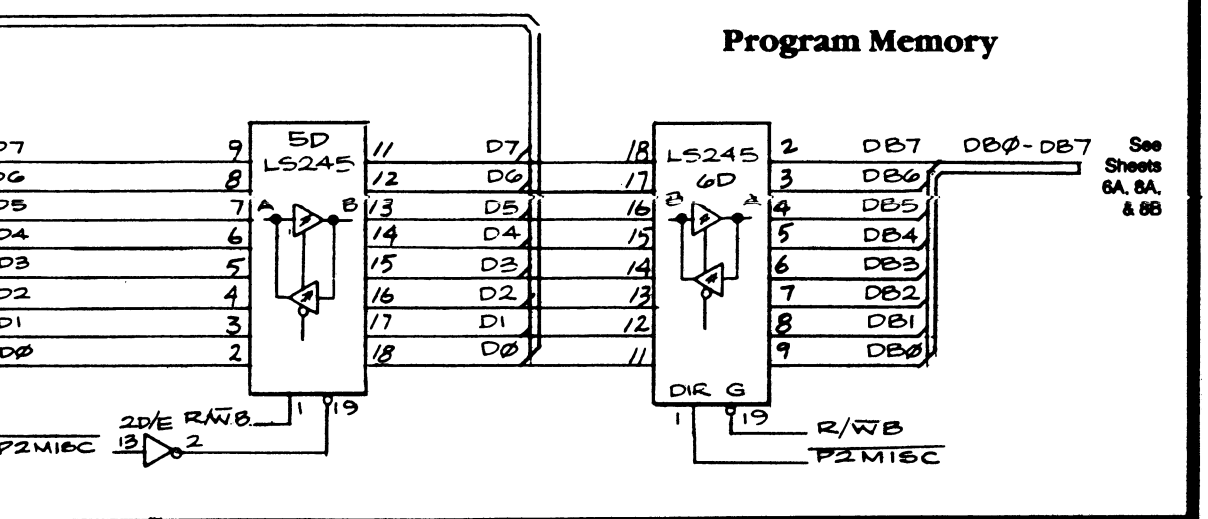
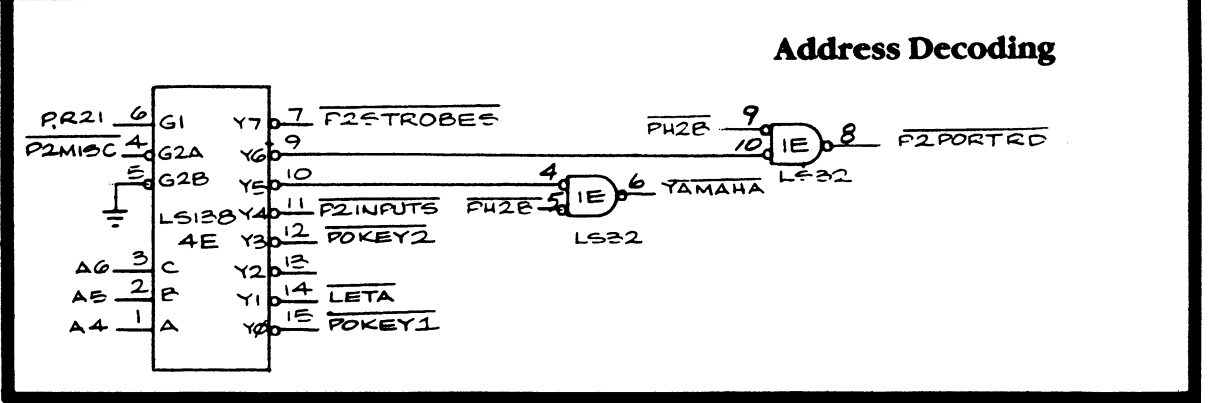
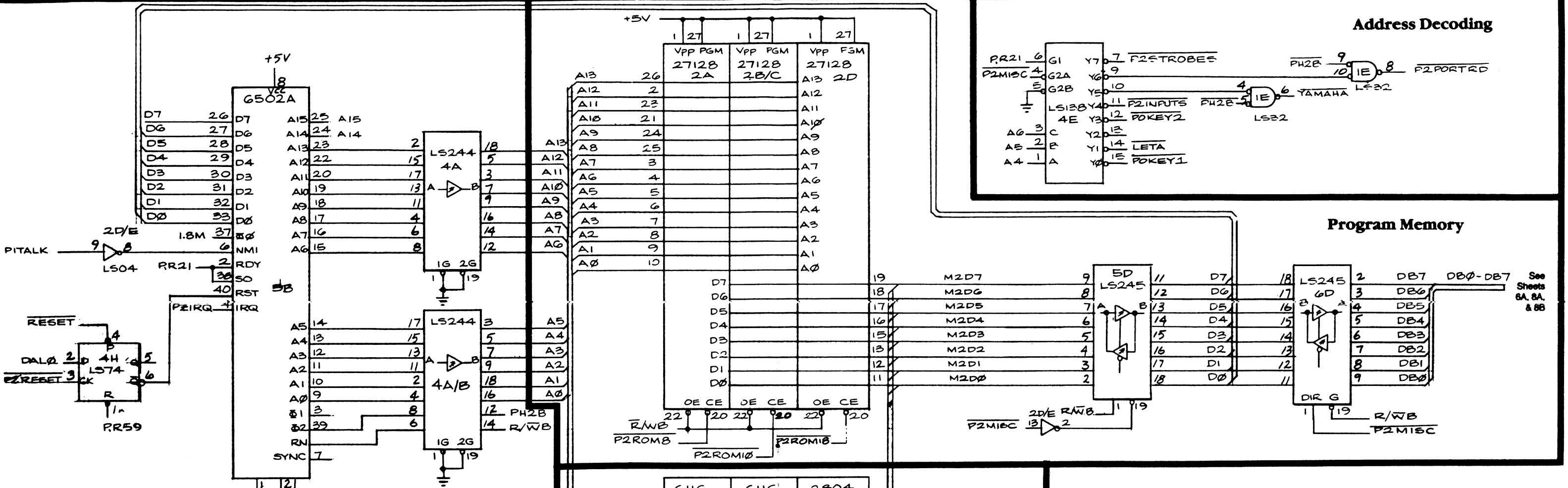
NOTICE TO ALL PERSONS RECEIVING THIS DRAWING
CONFIDENTIAL: Reproduction forbidden without the specific written permission of Atari Games Corporation, Milpitas, CA. This drawing is only conditionally issued, and neither receipt nor possession thereof confers or transfers any right in, or license to use, the subject matter of the drawing or any design or technical information shown thereon, nor any right to reproduce this drawing or any part thereof. Except for manufacture by vendors of Atari Games Corporation, and for manufacture under the corporation's written license, no right is granted to reproduce this drawing, or the subject matter thereof, unless by written agreement with or written permission from the corporation.



**720°™ CPU PCB
Schematic Diagram**

© 1986 Atari Games Corporation

SP-294 Sheet 6B
1st printing



NOTICE TO ALL PERSONS RECEIVING THIS DRAWING
CONFIDENTIAL: Reproduction forbidden without the specific written permission of Atari Games Corporation, Milpitas, CA. This drawing is only conditionally issued, and neither receipt nor possession thereof confers or transfers any right in, or license to use, the subject matter of the drawing or any design or technical information shown thereon, nor any right to reproduce this drawing or any part thereof. Except for manufacture by vendors of Atari Games Corporation, and for manufacture under the corporation's written license, no right is granted to reproduce this drawing or the subject matter thereof, unless by written agreement with or written permission from the corporation.

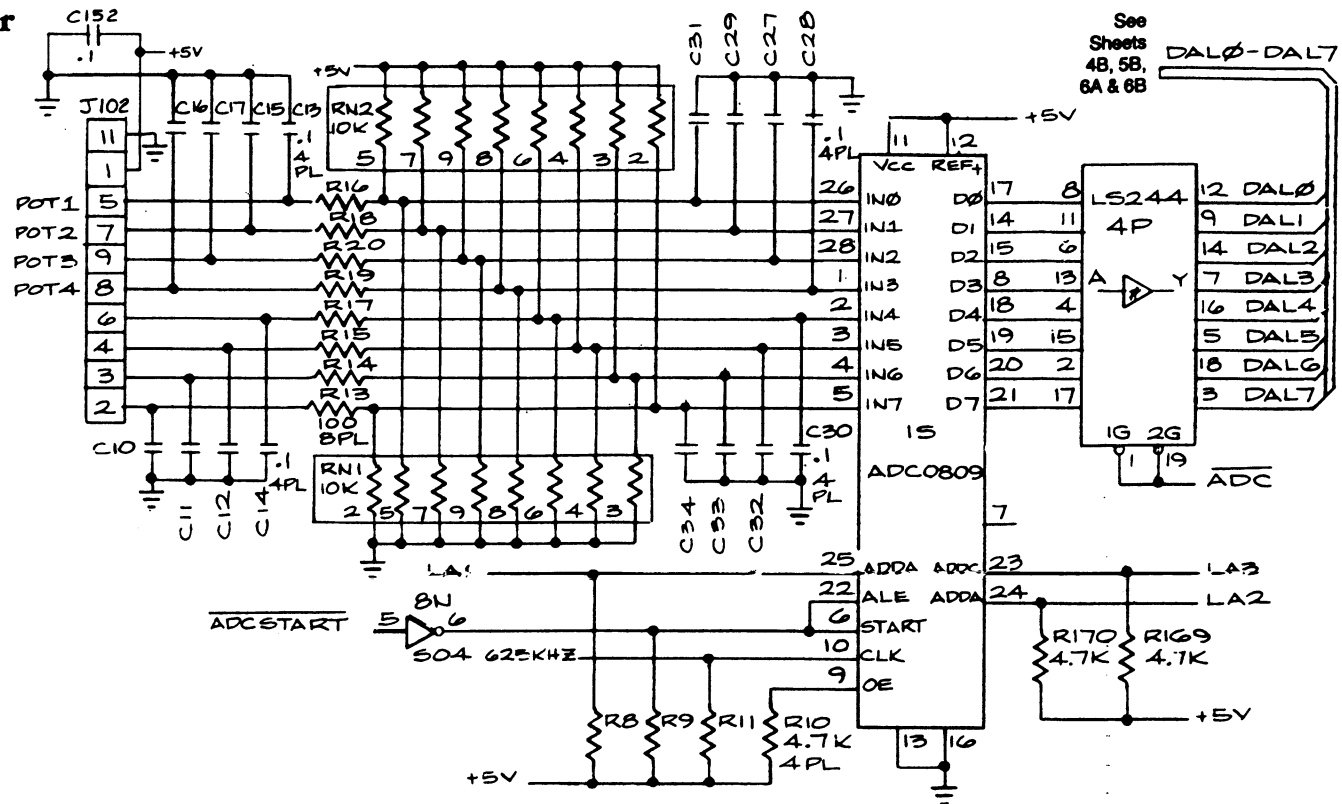


720™ CPU PCB Schematic Diagram

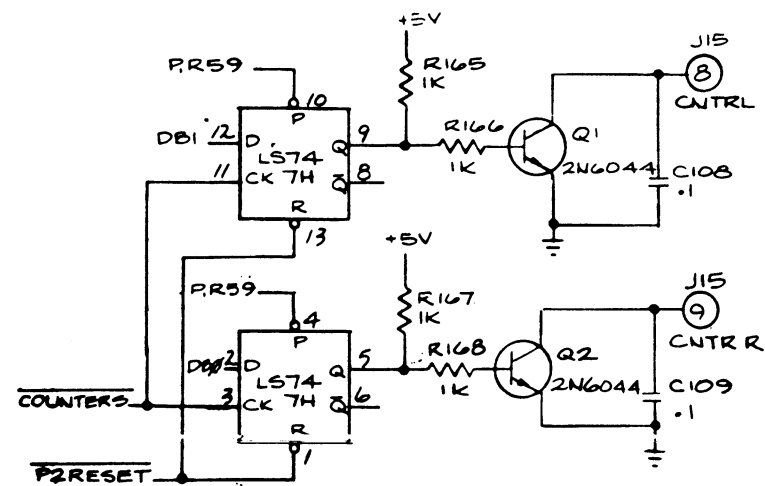
© 1986 Atari Games Corporation

SP-294 Sheet 7A
1st printing

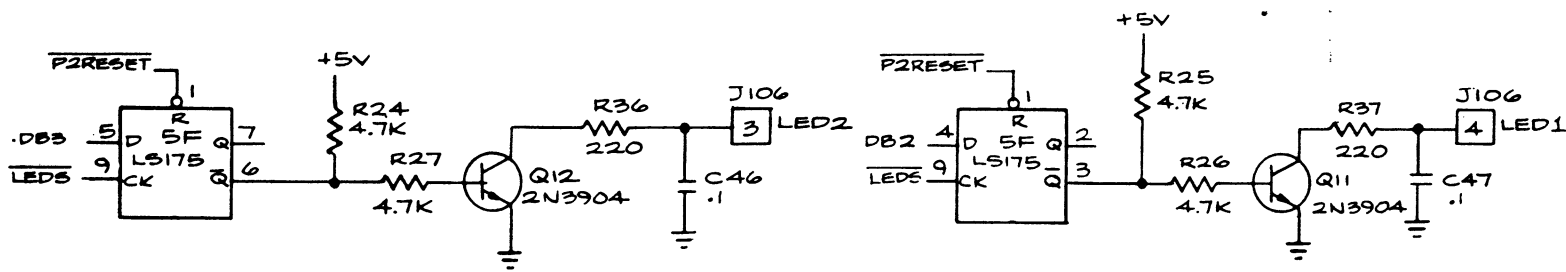
A/D Converter



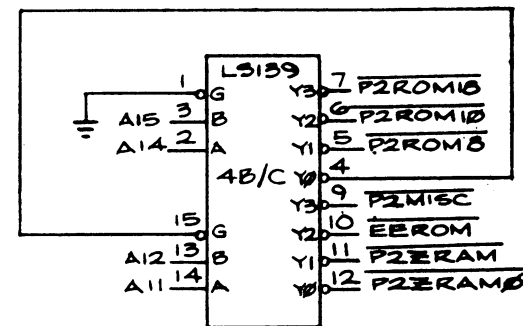
Coin Counters



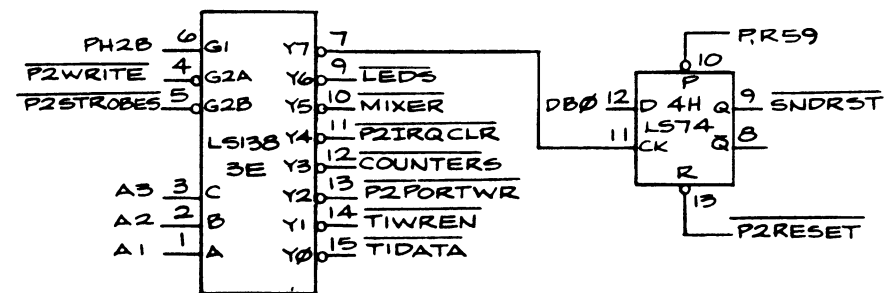
LED Drivers



Address Decoding



Address Decoding



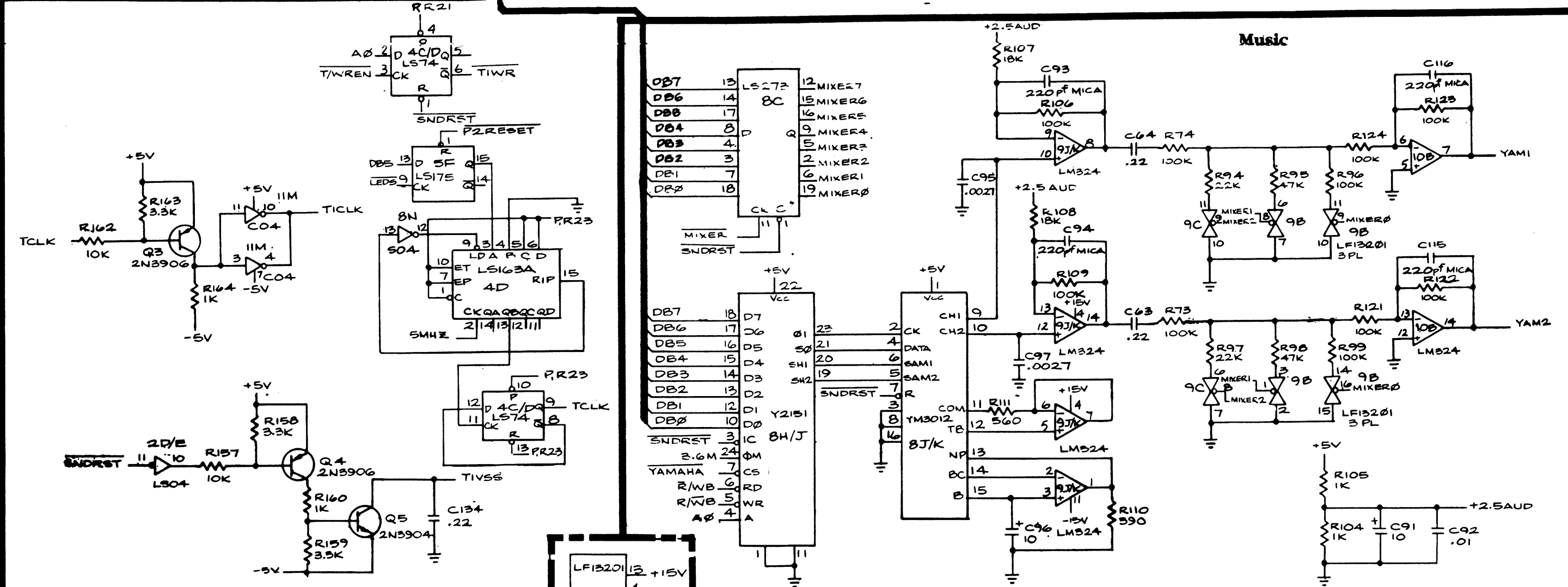
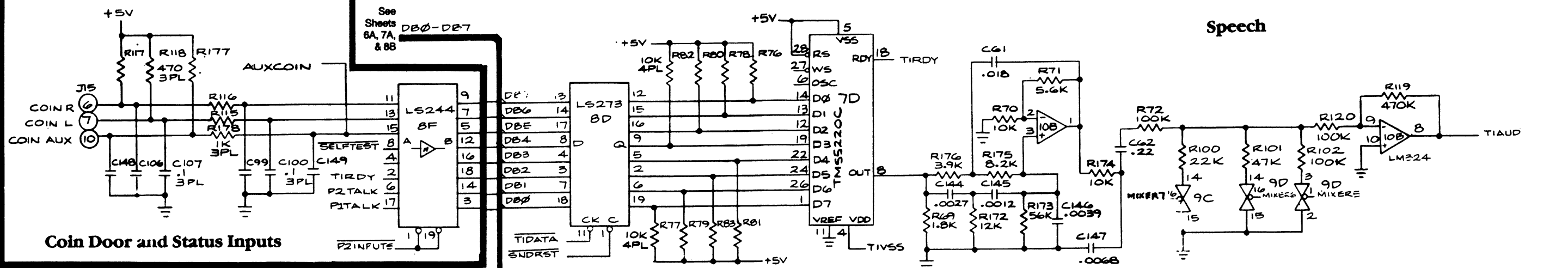
NOTICE TO ALL PERSONS RECEIVING THIS DRAWING
 CONFIDENTIAL: Reproduction forbidden without the specific written permission of Atari Games Corporation, Milpitas, CA. This drawing is only conditionally issued, and neither receipt nor possession thereof confers or transfers any right in, or license to use, the subject matter of the drawing or any design or technical information shown thereon, nor any right to reproduce this drawing or any part thereof. Except for manufacture by vendors of Atari Games Corporation, and for manufacture under the corporation's written license, no right is granted to reproduce this drawing or the subject matter thereof, unless by written agreement with or written permission from the corporation.



720™ CPU PCB
Schematic Diagram

© 1986 Atari Games Corporation

SP-294 Sheet 7B
 1st printing



Speech

Power Connections

NOTICE TO ALL PERSONS RECEIVING THIS DRAWING
 CONFIDENTIAL: Reproduction forbidden without the specific written permission of Atari Games Corporation, Milpitas, CA. This drawing is only conditionally issued, and neither receipt nor possession thereof confers or transfers any right in, or license to use, the subject matter of the drawing or any design or technical information shown thereon, nor any right to reproduce this drawing or any part thereof. Except for manufacture by vendors of Atari Games Corporation, and for manufacture under the corporation's written license, no right is granted to reproduce this drawing or the subject matter thereof, unless by written agreement with or written permission from the corporation.

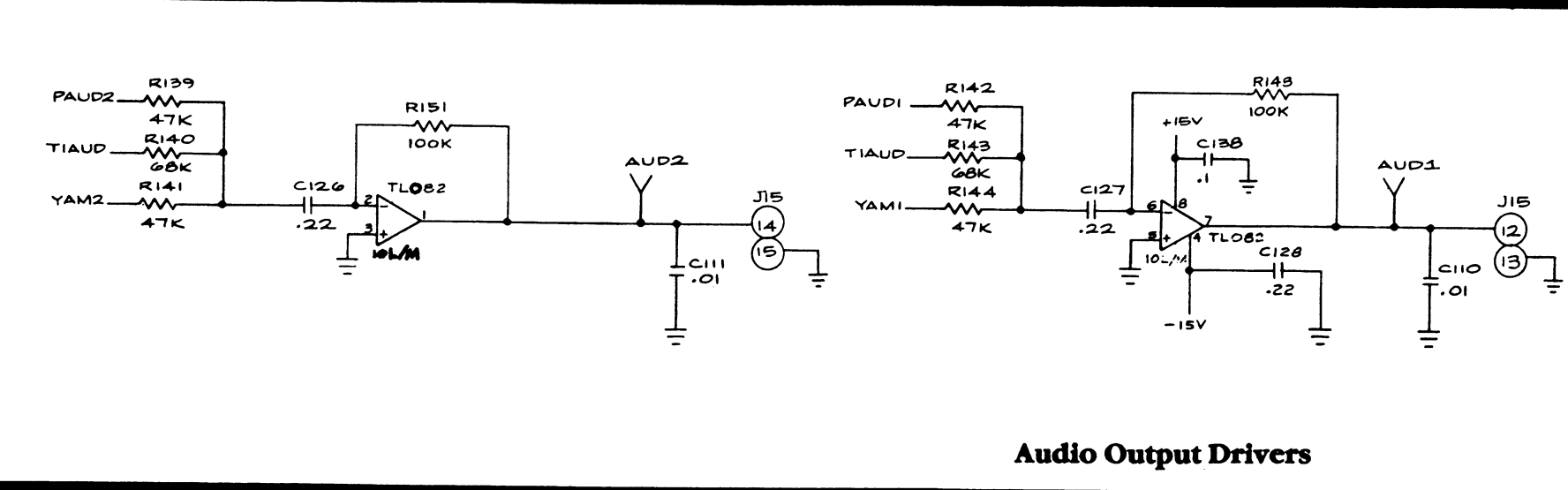
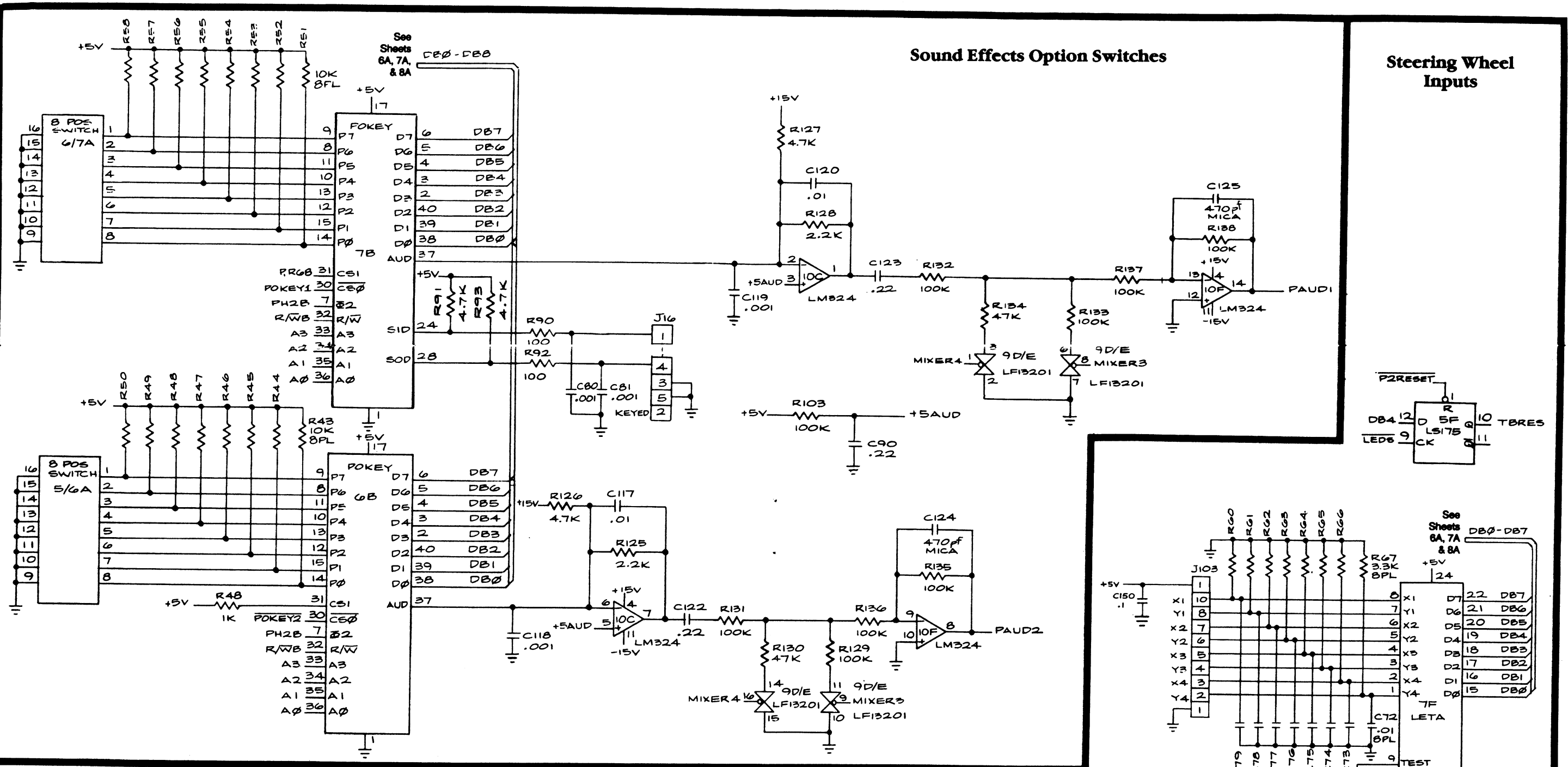
720™ CPU PCB Schematic Diagram

ATARI GAMES

SP-294 Sheet 8A
1st printing

© 1986 Atari Games Corporation

043735-01 A



Audio Output Drivers

NOTICE TO ALL PERSONS RECEIVING THIS DRAWING
 CONFIDENTIAL: Reproduction forbidden without the specific written permission of Atari Games Corporation, Milpitas, CA. This drawing is only conditionally issued, and neither receipt nor possession thereof confers or transfers any right in, or license to use, the subject matter of the drawing or any design or technical information shown thereon, nor any right to reproduce this drawing or any part thereof. Except for manufacture by vendors of Atari Games Corporation, and for manufacture under the corporation's written license, no right is granted to reproduce this drawing or the subject matter thereof, unless by written agreement with or written permission from the corporation.

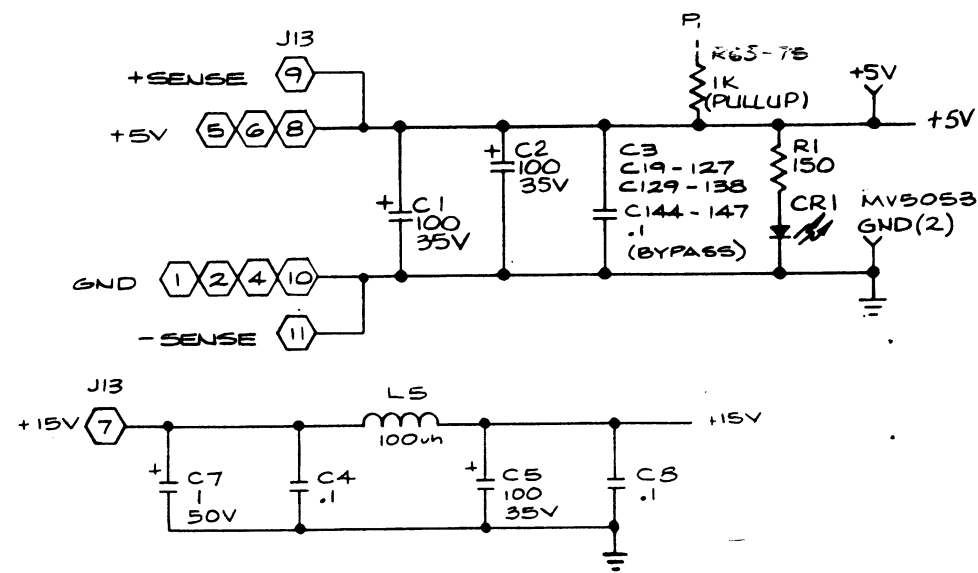


720[™] CPU PCB
 Schematic Diagram

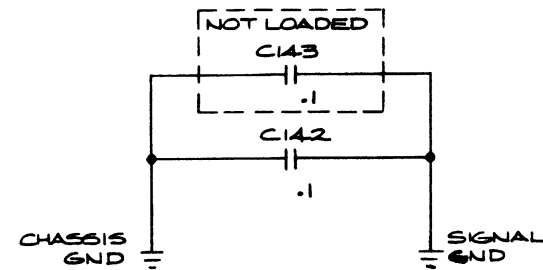
© 1986 Atari Games Corporation

SP-294 Sheet 8B
 1st printing

Power Input



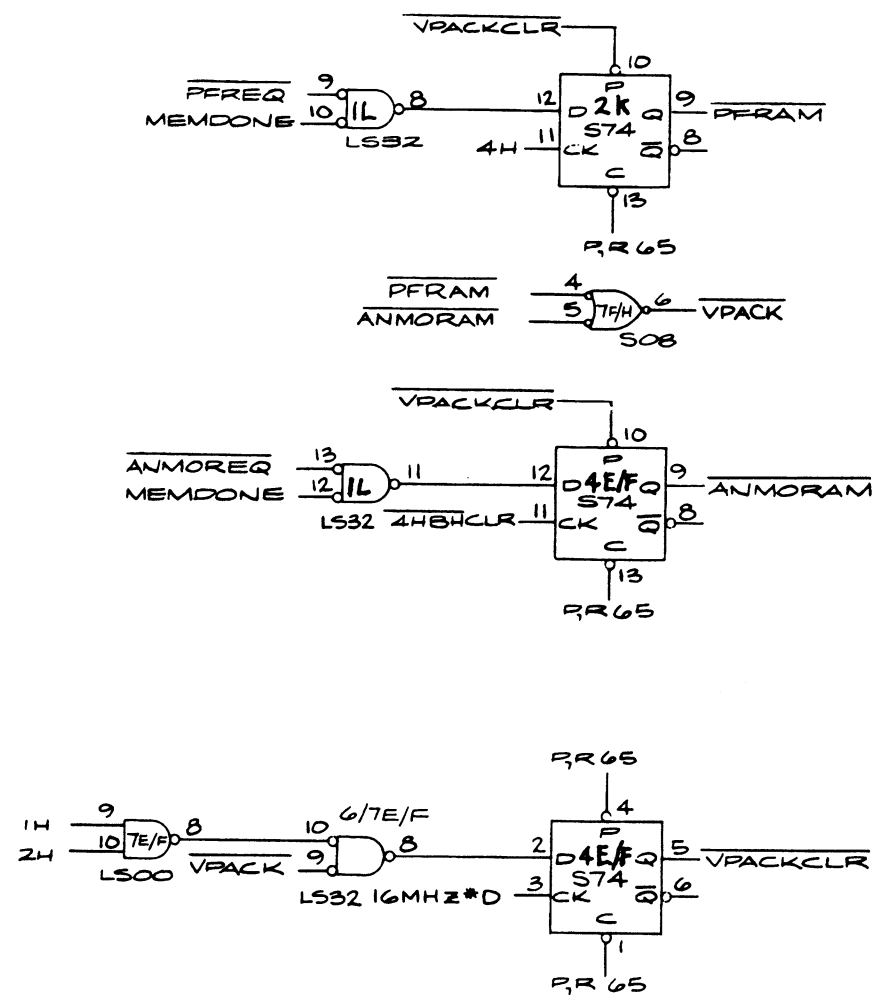
- DESIGNATES CONNECTOR J18
- ⬡ DESIGNATES CONNECTOR J13
- DESIGNATES CONNECTOR J19



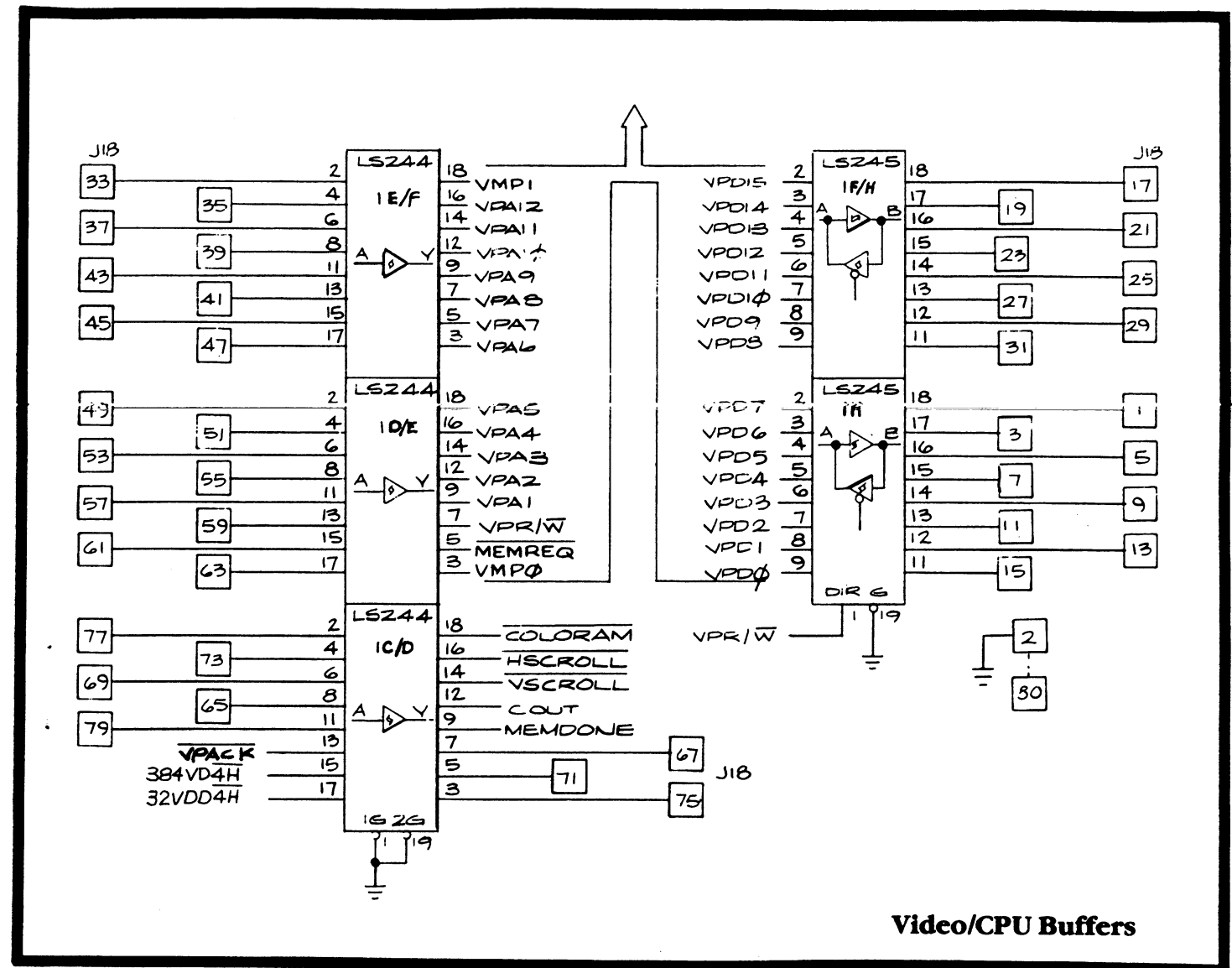
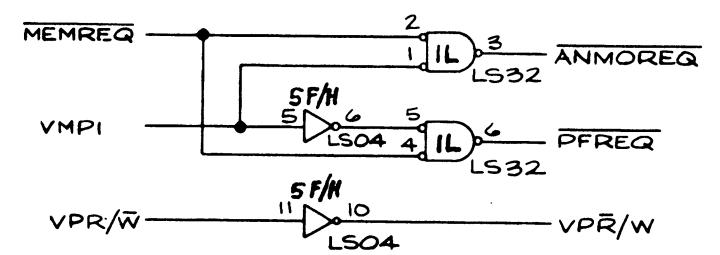
NOTICE TO ALL PERSONS RECEIVING THIS DRAWING
CONFIDENTIAL: Reproduction forbidden without the specific written permission of Atari Games Corporation, Milpitas, CA. This drawing is only conditionally issued, and neither receipt nor possession thereof confers or transfers any right in, or license to use, the subject matter of the drawing or any design or technical information shown thereon, nor any right to reproduce this drawing or any part thereof. Except for manufacture by vendors of Atari Games Corporation, and for manufacture under the corporation's written license, no right is granted to reproduce this drawing or the subject matter thereof, unless by written agreement with or written permission from the corporation.



720™ Video PCB Schematic Diagram



Address Decoding Control Signals



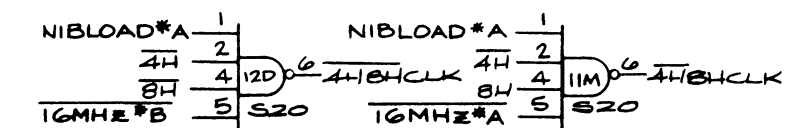
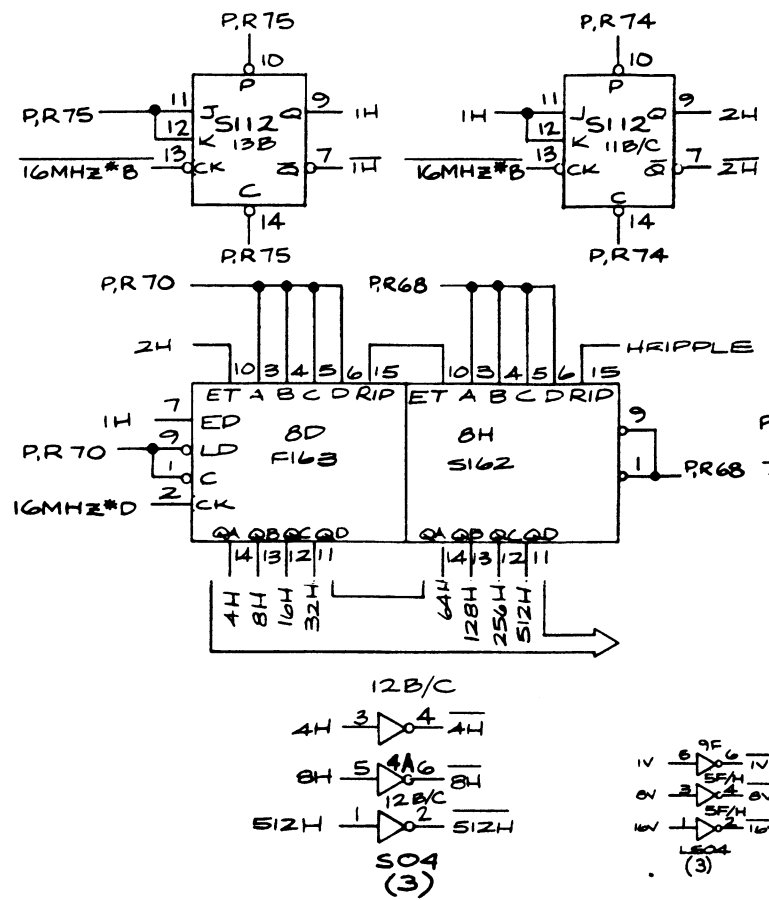
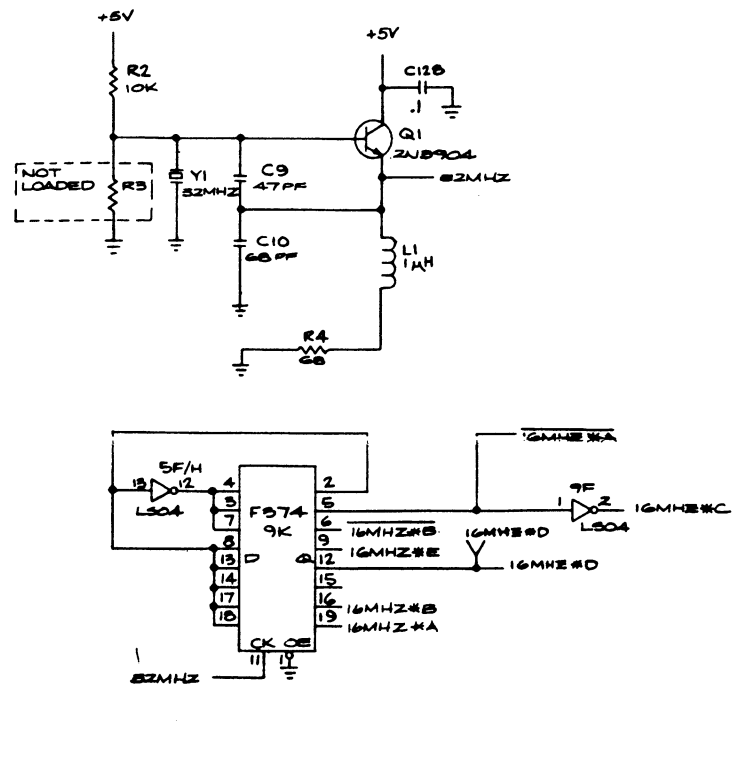
Video/CPU Buffers

NOTICE TO ALL PERSONS RECEIVING THIS DRAWING
 CONFIDENTIAL: Reproduction forbidden without the specific written permission of Atari Games Corporation, Milpitas, CA. This drawing is only conditionally issued, and neither receipt nor possession thereof confers or transfers any right in, or license to use, the subject matter of the drawing or any design or technical information shown thereon, nor any right to reproduce this drawing or any part thereof. Except for manufacture by vendors of Atari Games Corporation, and for manufacture under the corporation's written license, no right is granted to reproduce this drawing or the subject matter thereof, unless by written agreement with or written permission from the corporation.

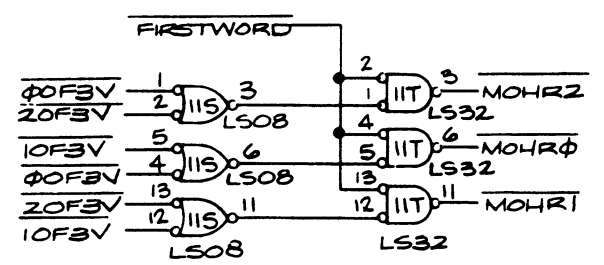
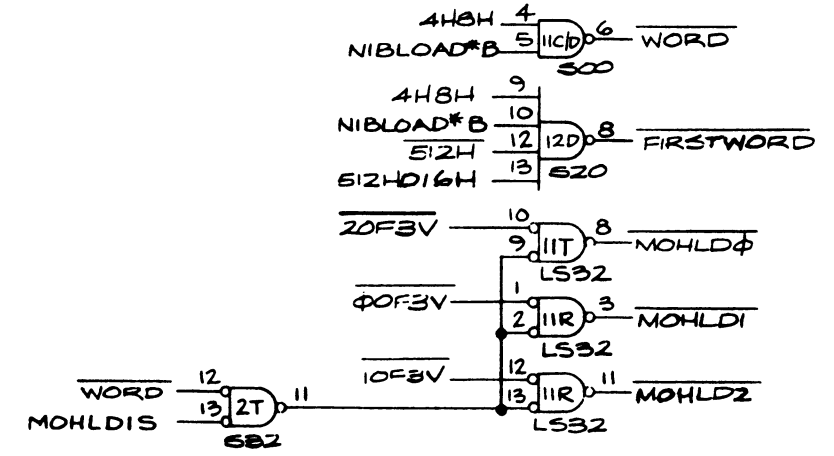
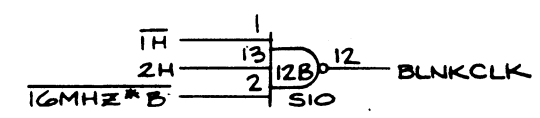
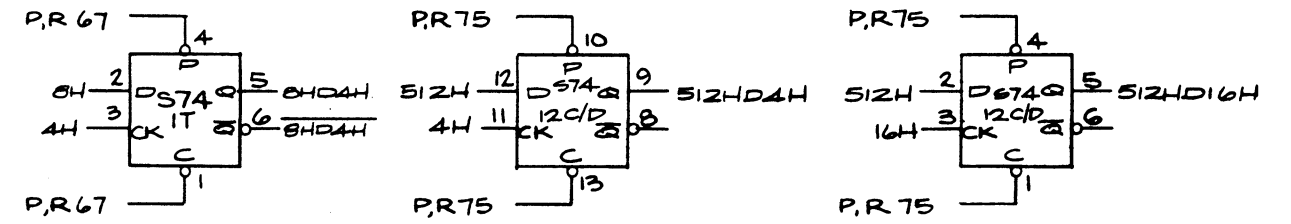
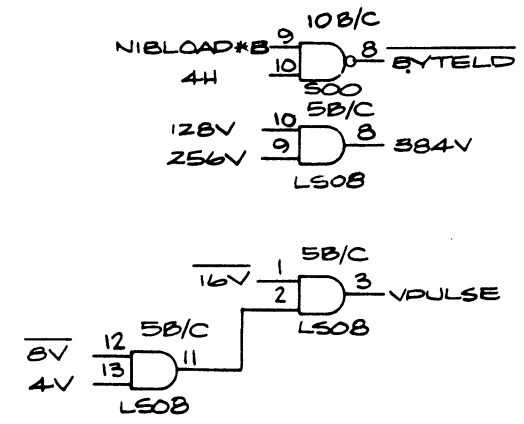
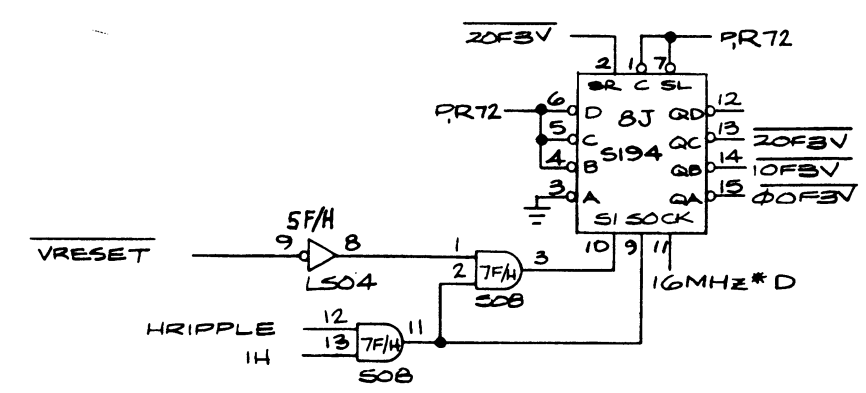
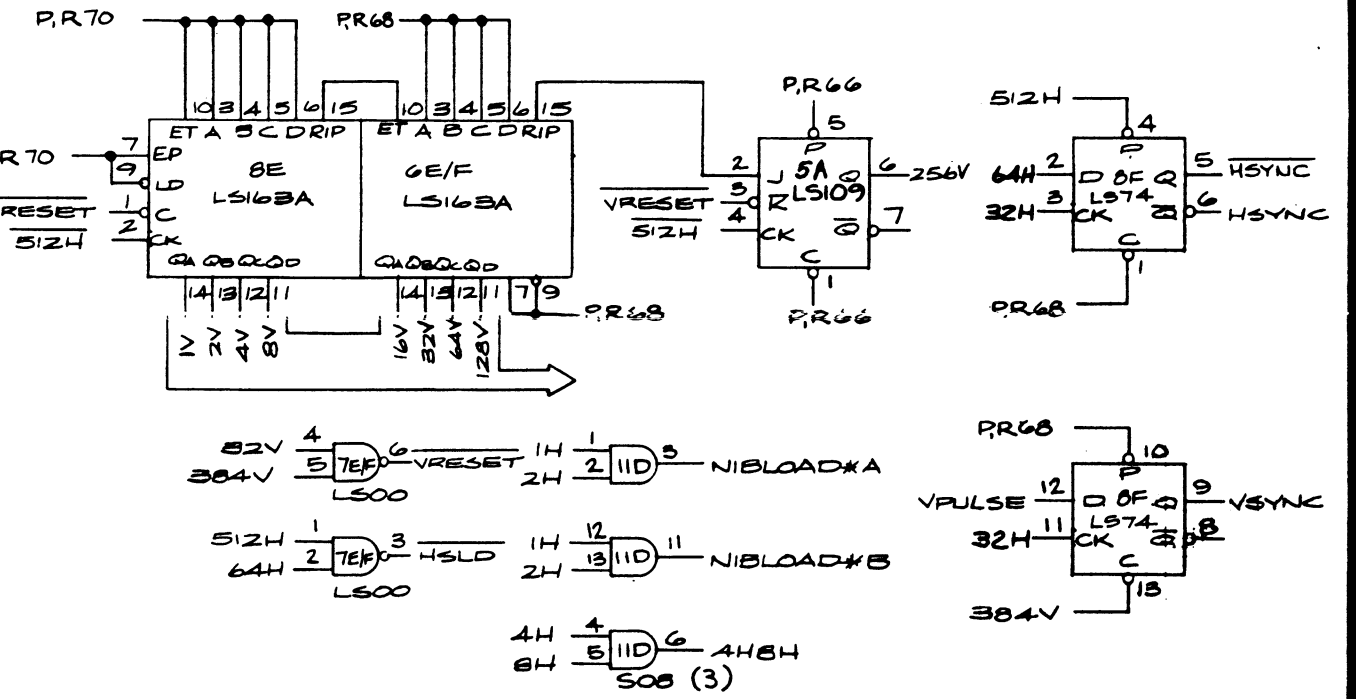


720^o™ Video PCB Schematic Diagram

Video Clock



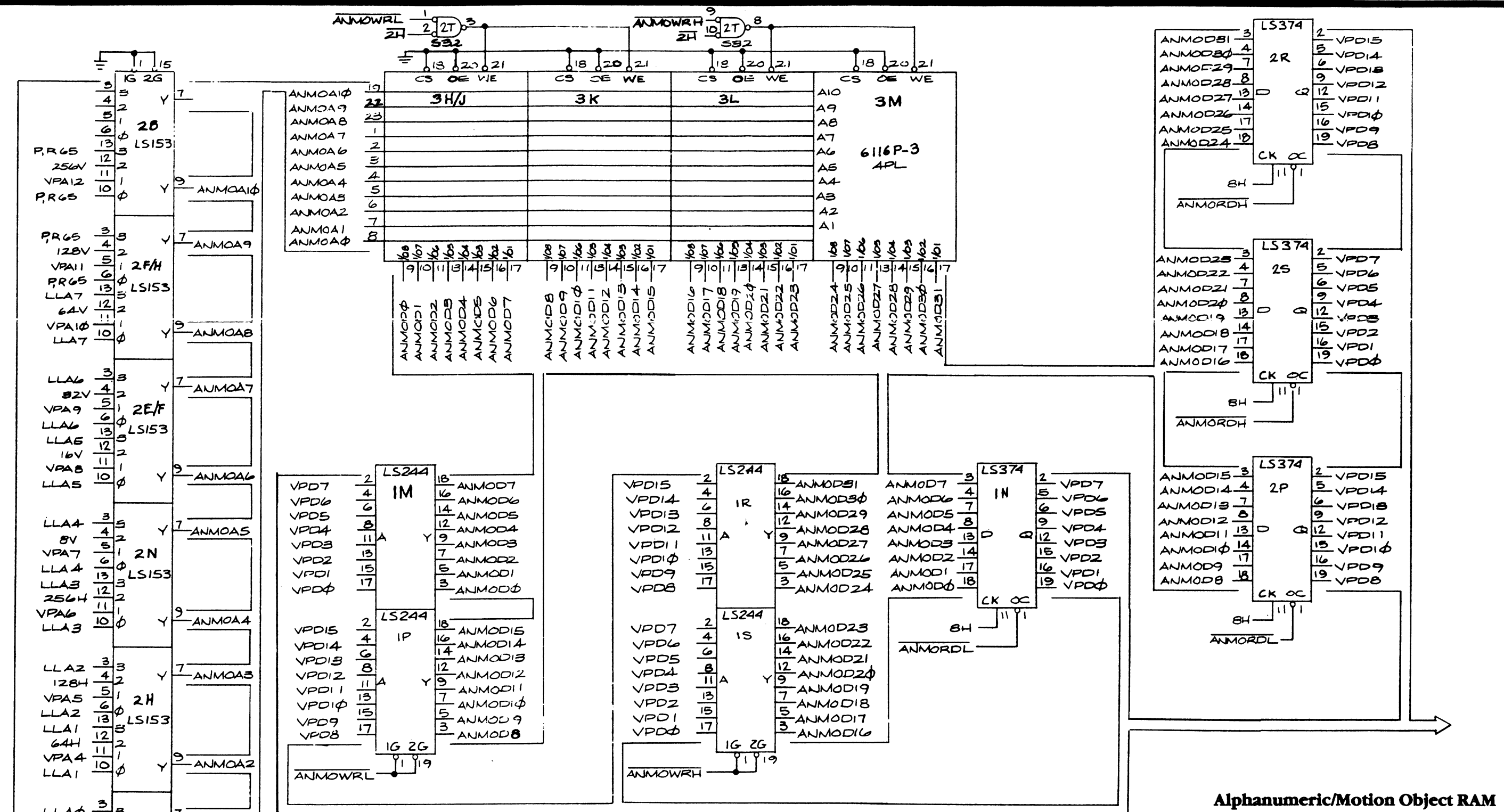
Sync Chain and Timing Strokes



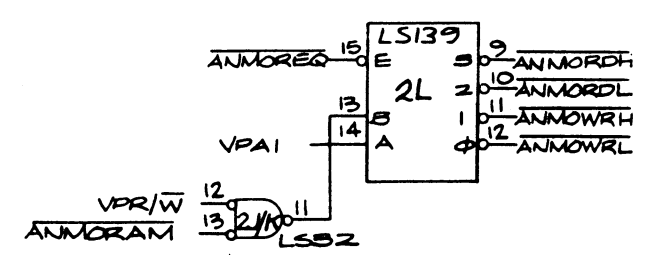
NOTICE TO ALL PERSONS RECEIVING THIS DRAWING
 CONFIDENTIAL: Reproduction forbidden without the specific written permission of Atari Games Corporation, Milpitas, CA. This drawing is only conditionally issued, and neither receipt nor possession thereof confers or transfers any right in, or license to use, the subject matter of the drawing or any design or technical information shown thereon, nor any right to reproduce this drawing or any part thereof. Except for manufacture by vendors of Atari Games Corporation, and for manufacture under the corporation's written license, no right is granted to reproduce this drawing or the subject matter thereof, unless by written agreement with or written permission from the corporation.



720° Video PCB Schematic Diagram



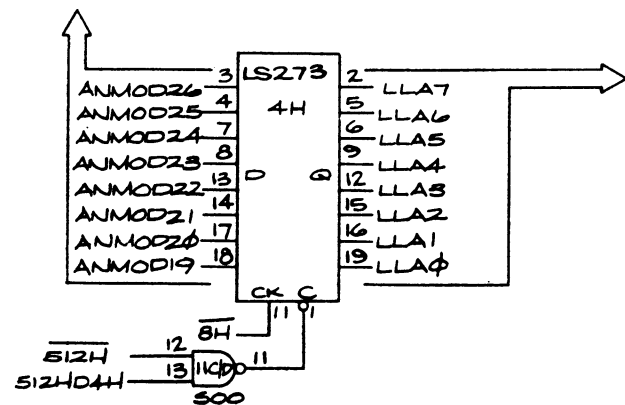
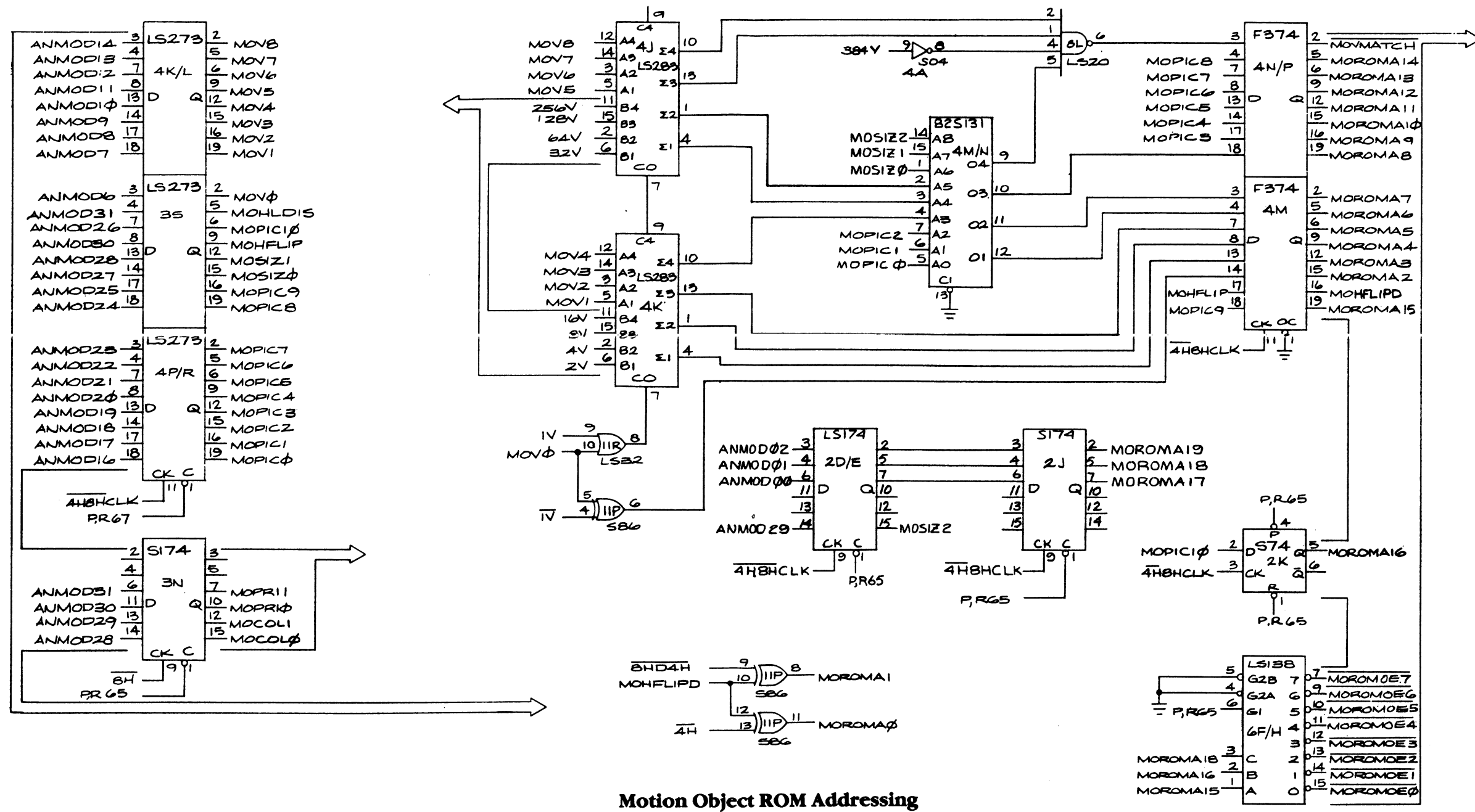
Alphanumeric/Motion Object RAM



NOTICE TO ALL PERSONS RECEIVING THIS DRAWING
 CONFIDENTIAL: Reproduction forbidden without the specific written permission of Atari Games Corporation, Milpitas, CA. This drawing is only conditionally issued, and neither receipt nor possession thereof confers or transfers any right in, or license to use, the subject matter of the drawing or any design or technical information shown thereon, nor any right to reproduce this drawing or any part thereof. Except for manufacture by vendors of Atari Games Corporation, and for manufacture under the corporation's written license, no right is granted to reproduce this drawing or the subject matter thereof, unless by written agreement with or written permission from the corporation.



720™ Video PCB Schematic Diagram



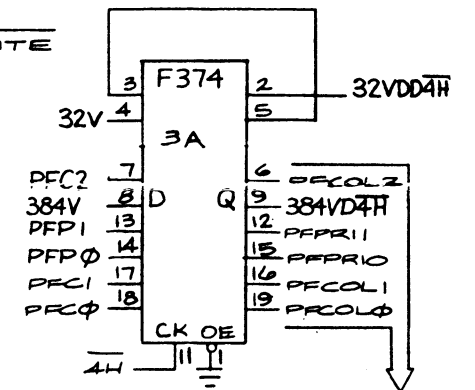
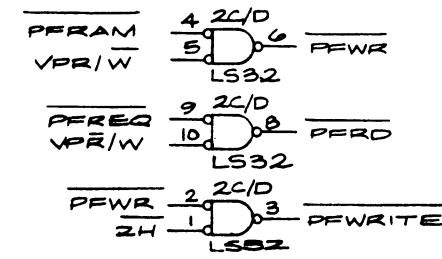
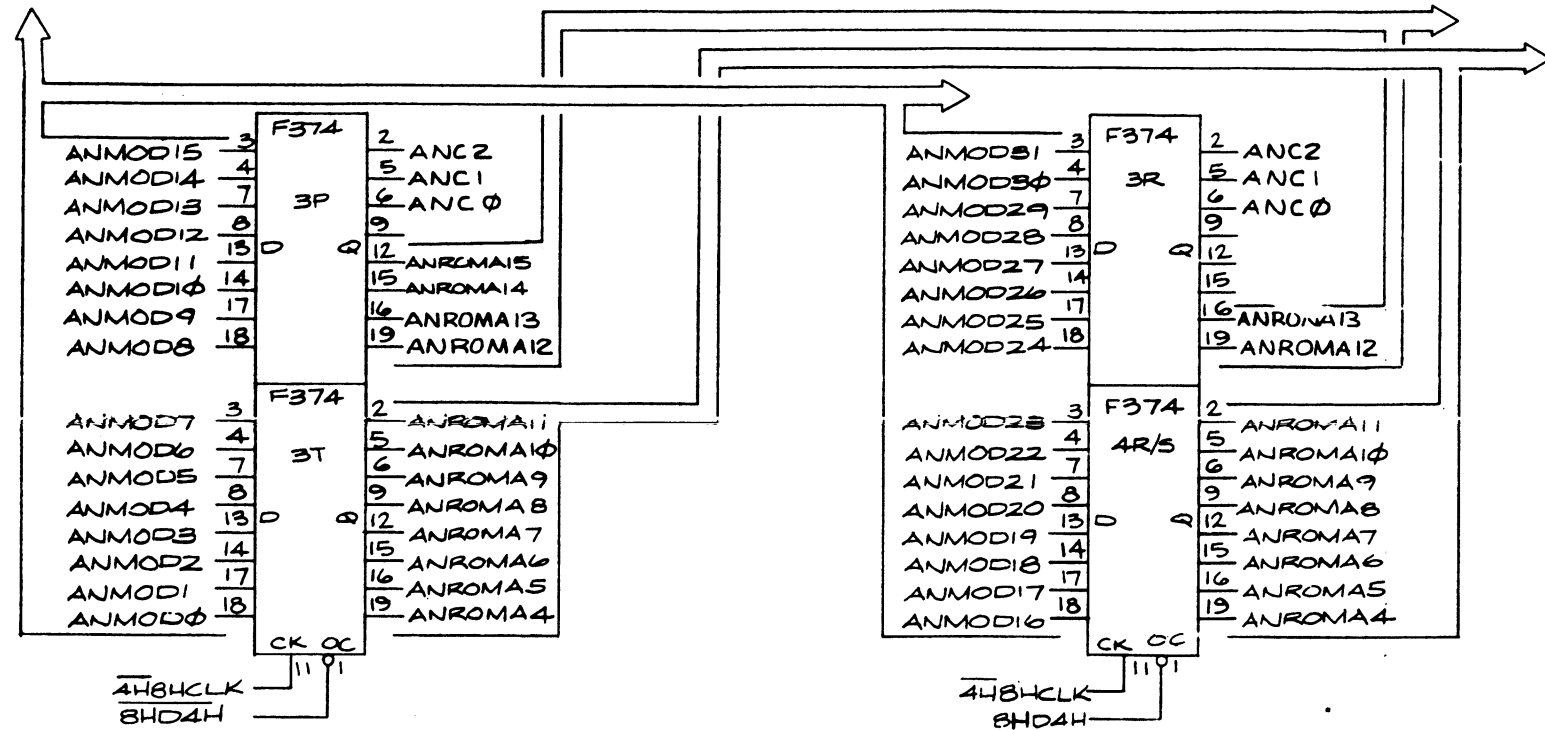
Link List Address Latch

NOTICE TO ALL PERSONS RECEIVING THIS DRAWING
 CONFIDENTIAL: Reproduction forbidden without the specific written permission of Atari Games Corporation, Milpitas, CA. This drawing is only conditionally issued, and neither receipt nor possession thereof confers or transfers any right in, or license to use, the subject matter of the drawing or any design or technical information shown thereon, nor any right to reproduce this drawing or any part thereof. Except for manufacture by vendors of Atari Games Corporation, and for manufacture under the corporation's written license, no right is granted to reproduce this drawing or the subject matter thereof, unless by written agreement with or written permission from the corporation.

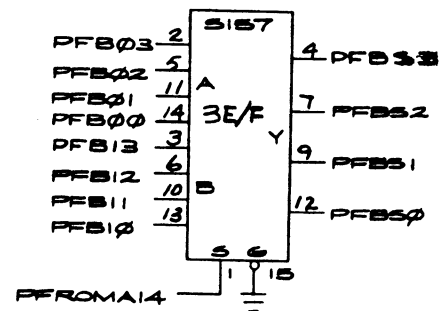


720™ Video PCB Schematic Diagram

Alphanumeric ROM Addressing



Playfield Data Latch Strobes



Playfield Bank Select

NOTICE TO ALL PERSONS RECEIVING THIS DRAWING
CONFIDENTIAL. Reproduction forbidden without the specific written permission of Atari Games Corporation, Milpitas, CA. This drawing is only conditionally issued, and neither receipt nor possession thereof confers or transfers any right in, or license to use, the subject matter of the drawing or any design or technical information shown thereon, nor any right to reproduce this drawing or any part thereof. Except for manufacture by vendors of Atari Games Corporation, and for manufacture under the corporation's written license, no right is granted to reproduce this drawing or the subject matter thereof, unless by written agreement with or written permission from the corporation.

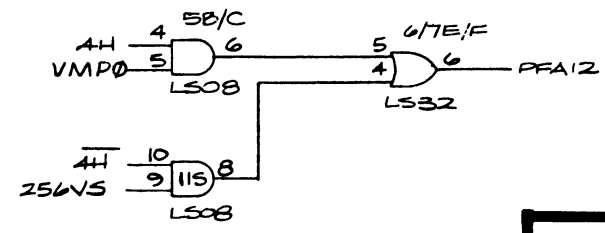


720°™ Video PCB Schematic Diagram

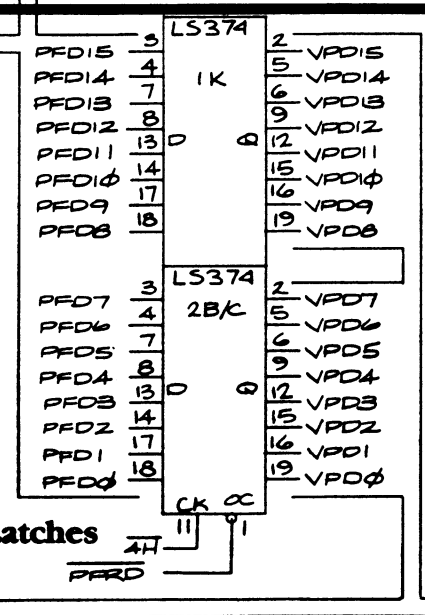
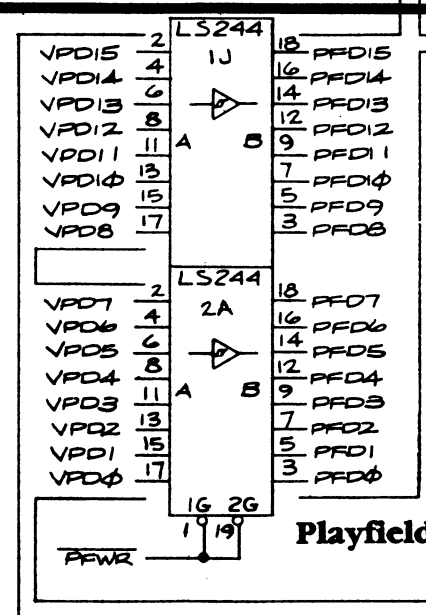
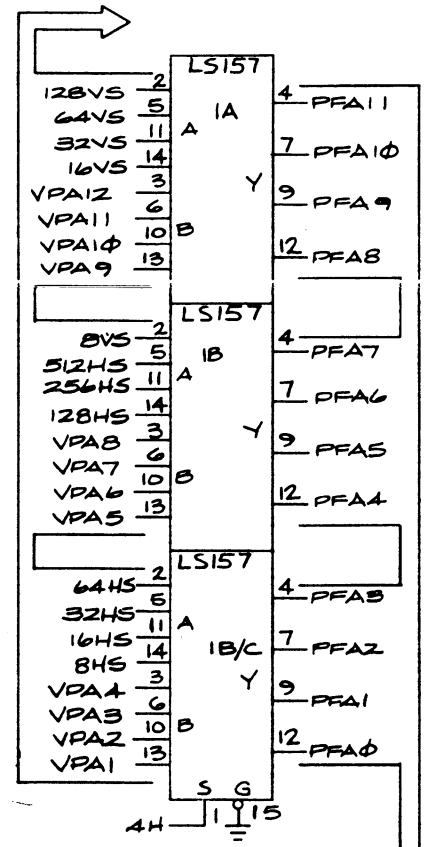
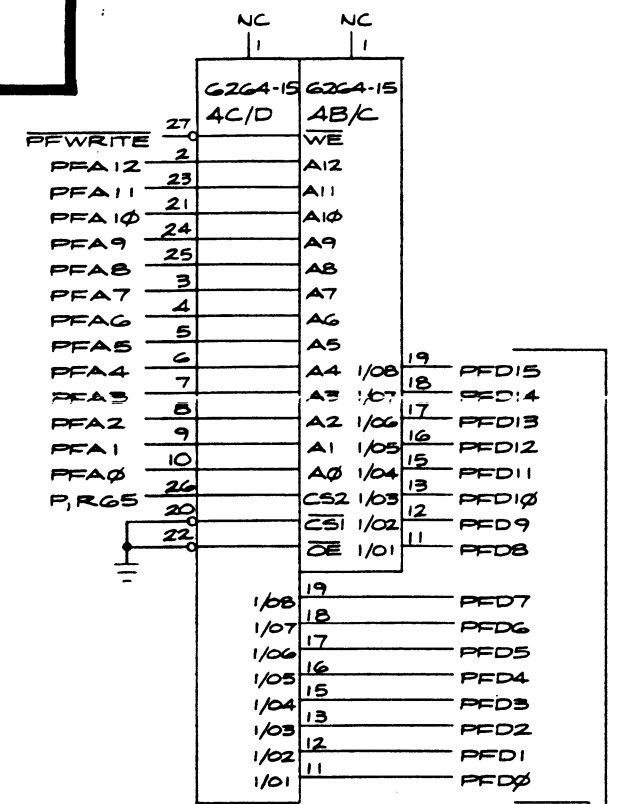
© 1986 Atari Games Corporation

SP-294 Sheet 11B
 1st printing

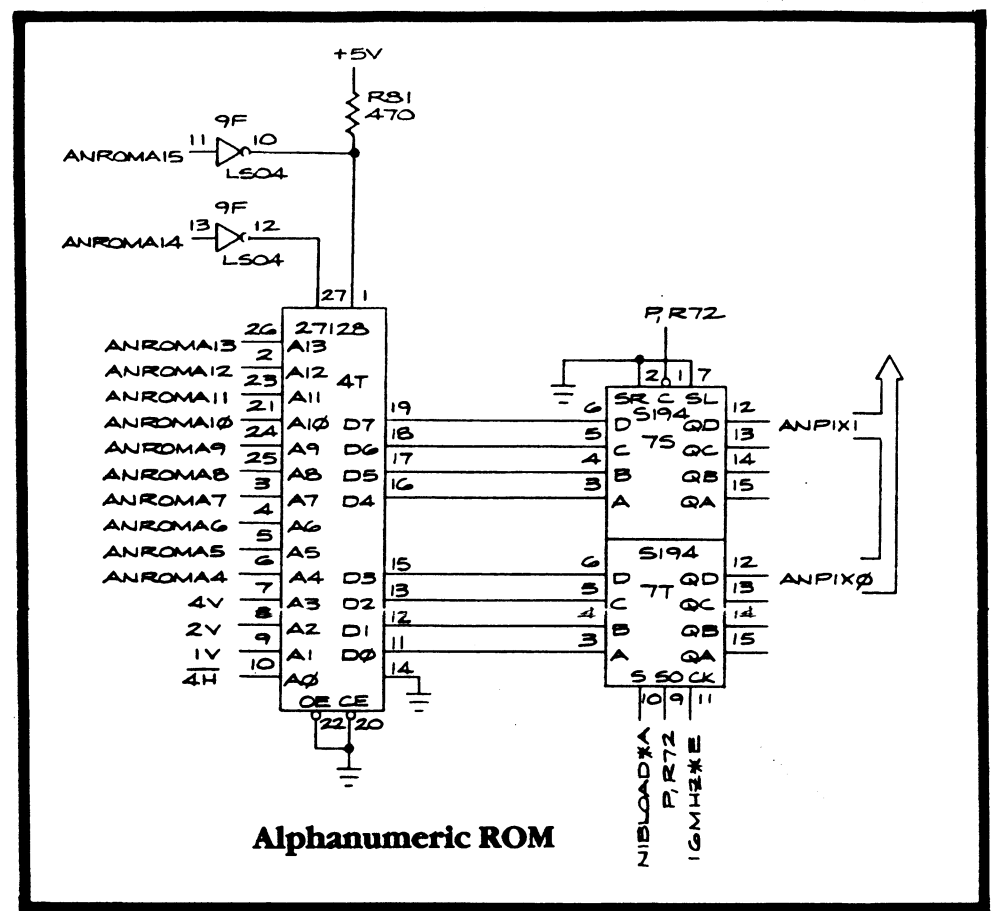
Playfield RAM Addressing



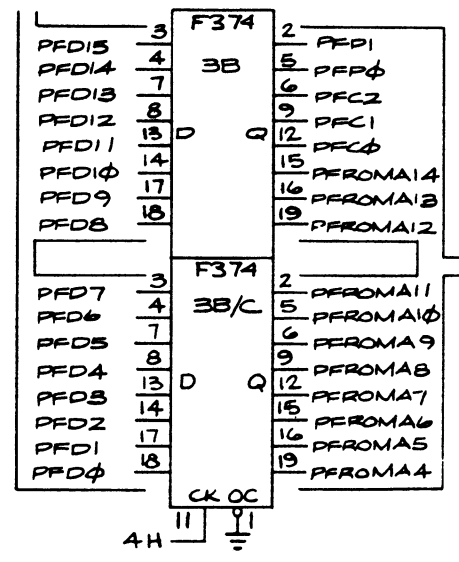
Playfield RAM



Playfield RAM Data Latches



Alphanumeric ROM



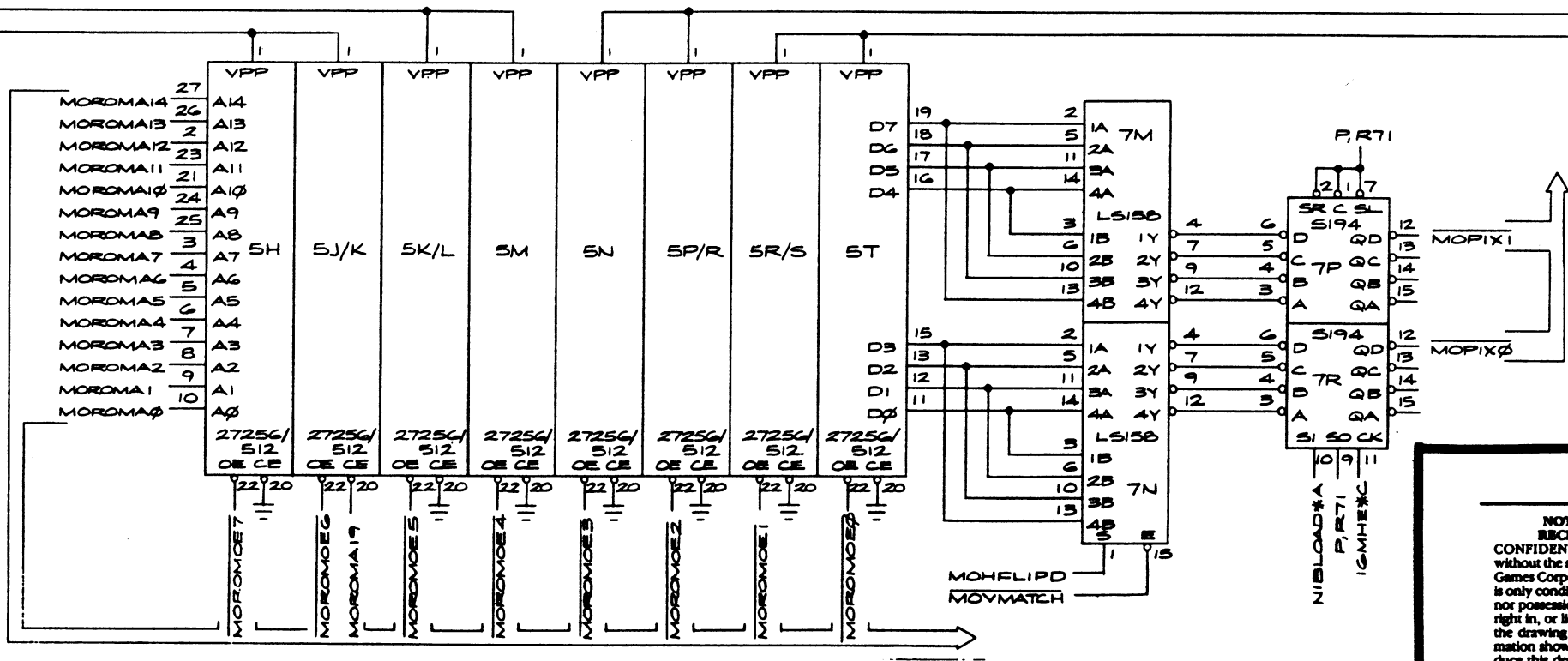
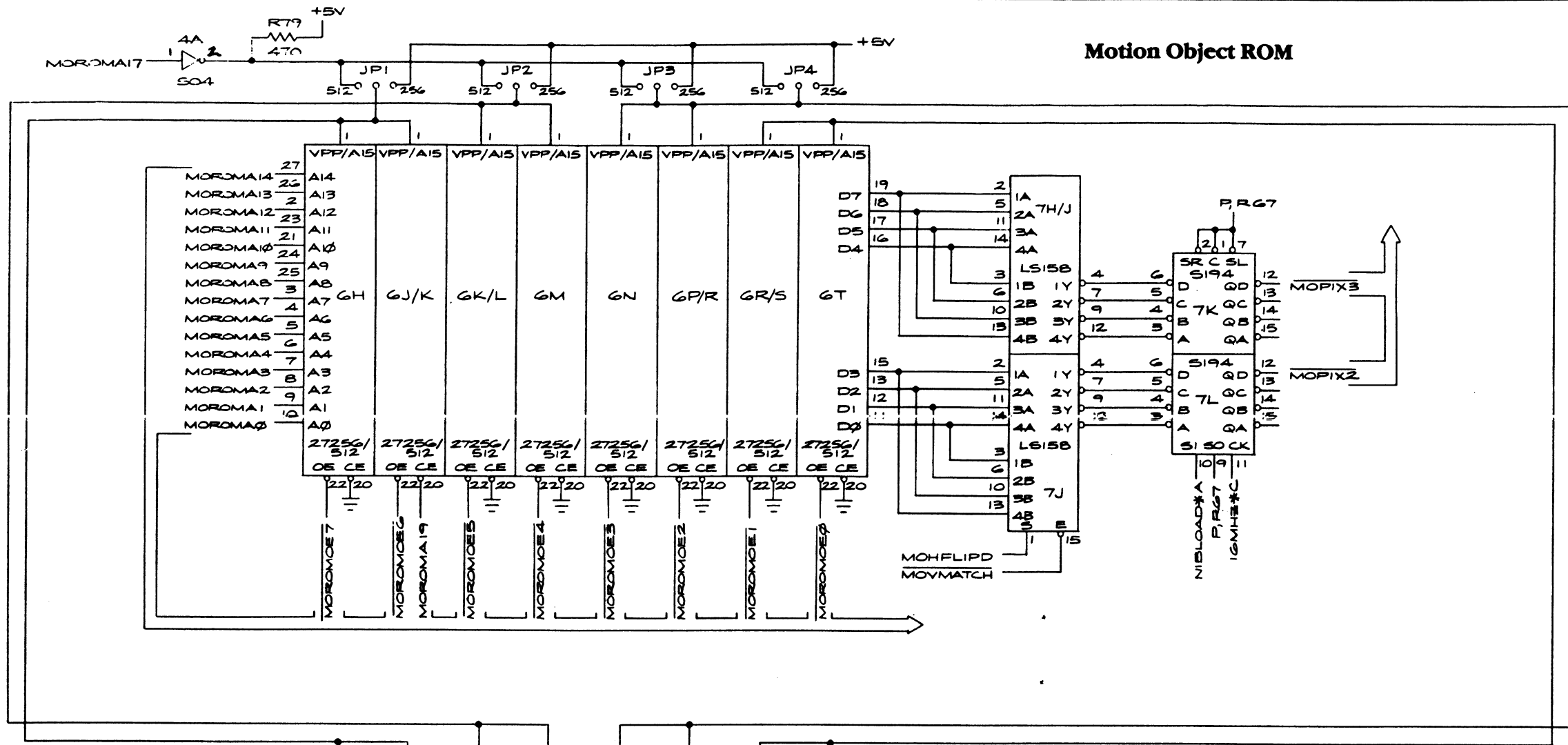
Playfield ROM Addressing

NOTICE TO ALL PERSONS RECEIVING THIS DRAWING
 CONFIDENTIAL: Reproduction forbidden without the specific written permission of Atari Games Corporation, Milpitas, CA. This drawing is only conditionally issued, and neither receipt nor possession thereof confers or transfers any right in, or license to use, the subject matter of the drawing or any design or technical information shown thereon, nor any right to reproduce this drawing or any part thereof. Except for manufacture by vendors of Atari Games Corporation, and for manufacture under the corporation's written license, no right is granted to reproduce this drawing or the subject matter thereof, unless by written agreement with or written permission from the corporation.



720°™ Video PCB Schematic Diagram

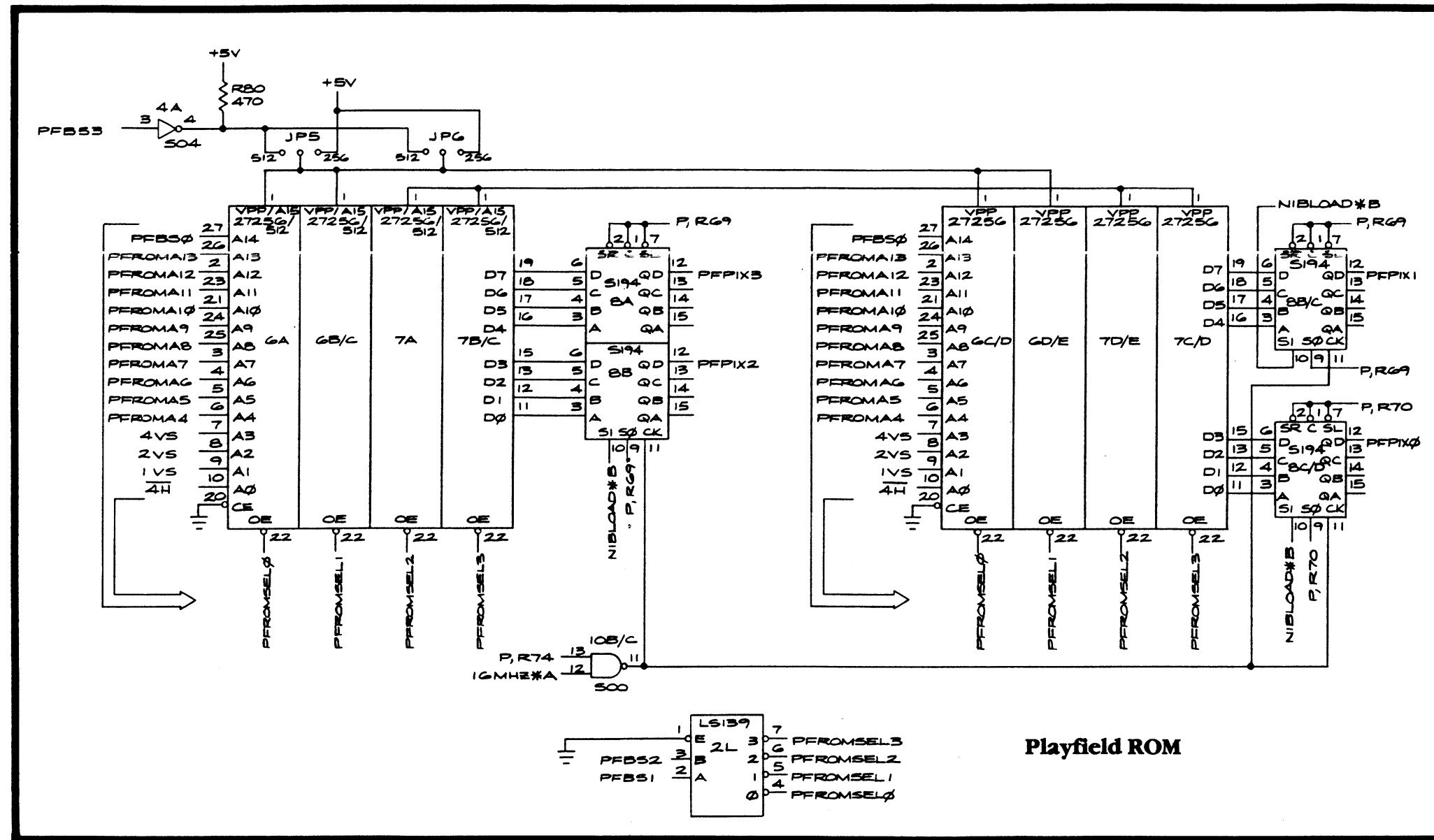
Motion Object ROM



NOTICE TO ALL PERSONS RECEIVING THIS DRAWING
 CONFIDENTIAL: Reproduction forbidden without the specific written permission of Atari Games Corporation, Milpitas, CA. This drawing is only conditionally issued, and neither receipt nor possession thereof confers or transfers any right in, or license to use, the subject matter of the drawing or any design or technical information shown thereon, nor any right to reproduce this drawing or any part thereof. Except for manufacture by vendors of Atari Games Corporation, and for manufacture under the corporation's written license, no right is granted to reproduce this drawing or the subject matter thereof, unless by written agreement with or written permission from the corporation.



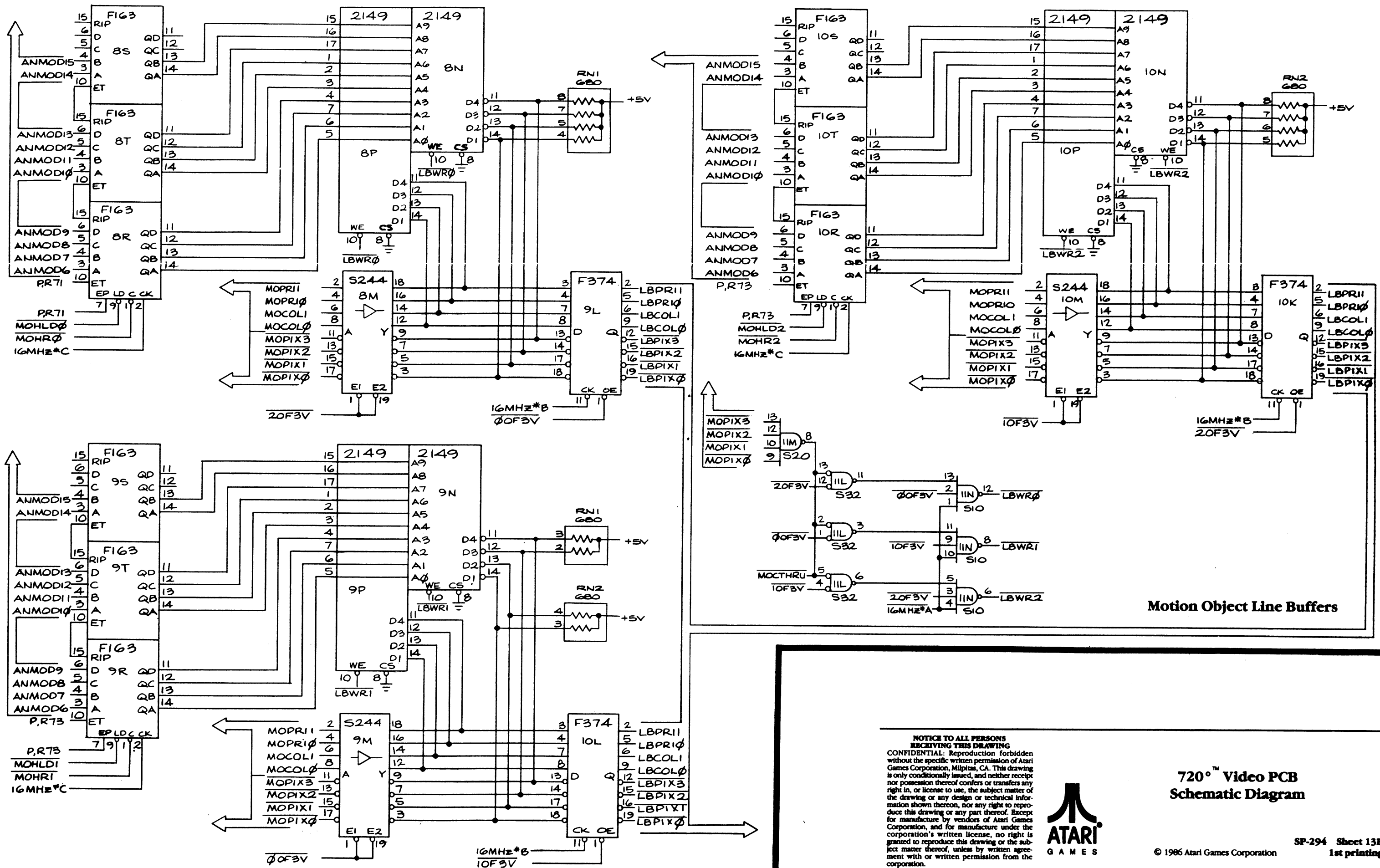
720[™] Video PCB Schematic Diagram



NOTICE TO ALL PERSONS RECEIVING THIS DRAWING
 CONFIDENTIAL: Reproduction forbidden without the specific written permission of Atari Games Corporation, Milpitas, CA. This drawing is only conditionally issued, and neither receipt nor possession thereof confers or transfers any right in, or license to use, the subject matter of the drawing or any design or technical information shown thereon, nor any right to reproduce this drawing or any part thereof. Except for manufacture by vendors of Atari Games Corporation, and for manufacture under the corporation's written license, no right is granted to reproduce this drawing or the subject matter thereof, unless by written agreement with or written permission from the corporation.



720°™ Video PCB Schematic Diagram



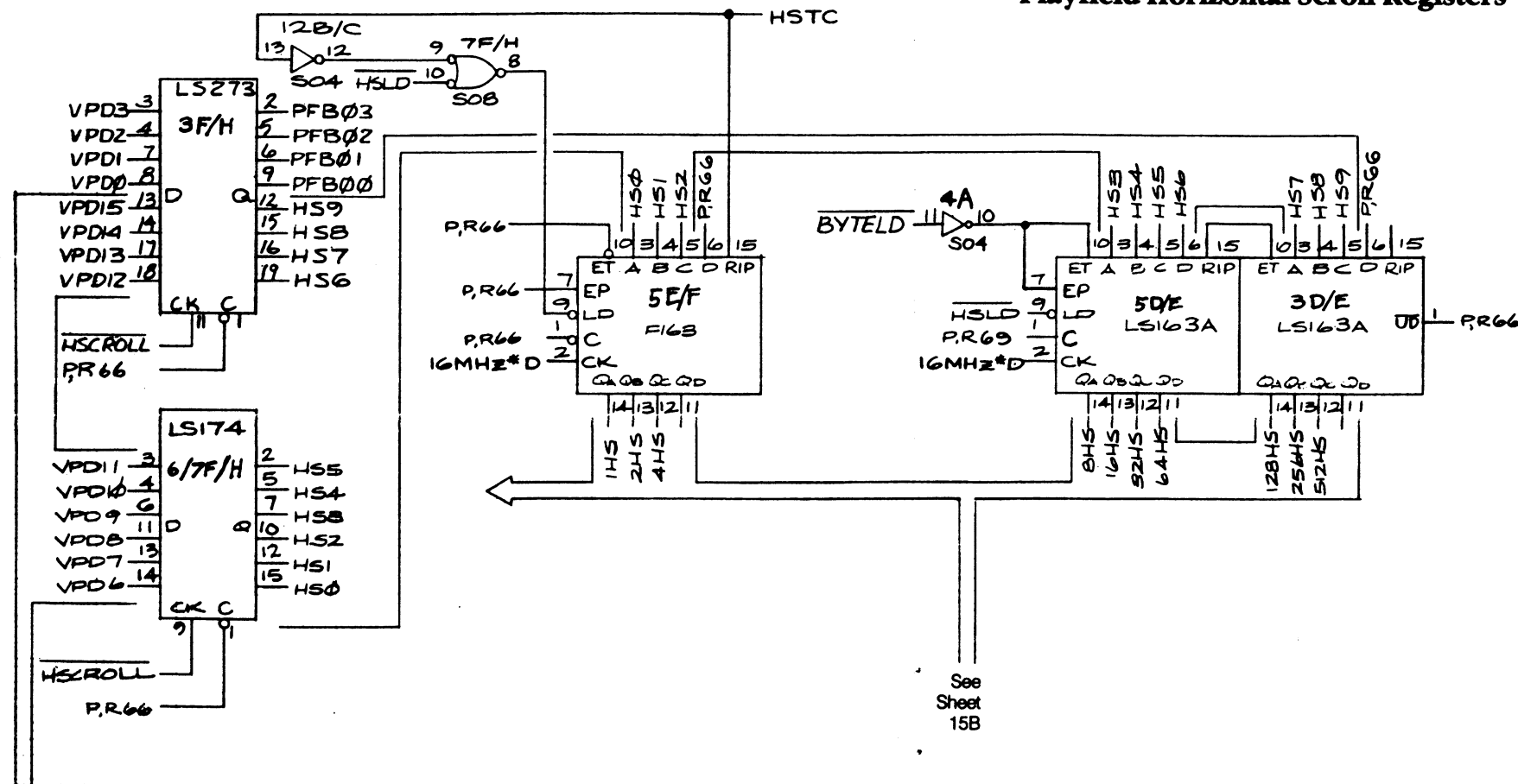
Motion Object Line Buffers

NOTICE TO ALL PERSONS RECEIVING THIS DRAWING
 CONFIDENTIAL: Reproduction forbidden without the specific written permission of Atari Games Corporation, Milpitas, CA. This drawing is only conditionally issued, and neither receipt nor possession thereof confers or transfers any right in, or license to use, the subject matter of the drawing or any design or technical information shown thereon, nor any right to reproduce this drawing or any part thereof. Except for manufacture by vendors of Atari Games Corporation, and for manufacture under the corporation's written license, no right is granted to reproduce this drawing or the subject matter thereof, unless by written agreement with or written permission from the corporation.



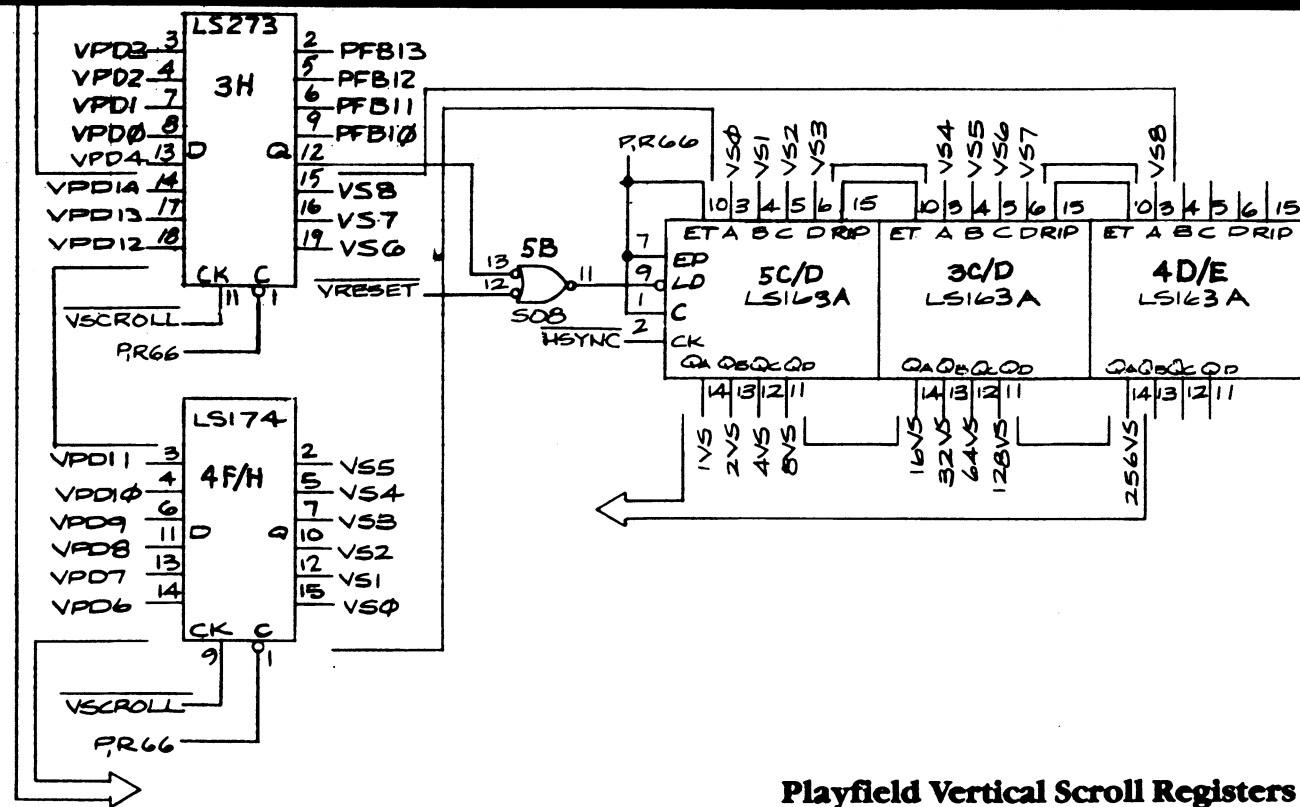
720™ Video PCB
 Schematic Diagram

Playfield Horizontal Scroll Registers



See Sheet 15B

Playfield Vertical Scroll Registers

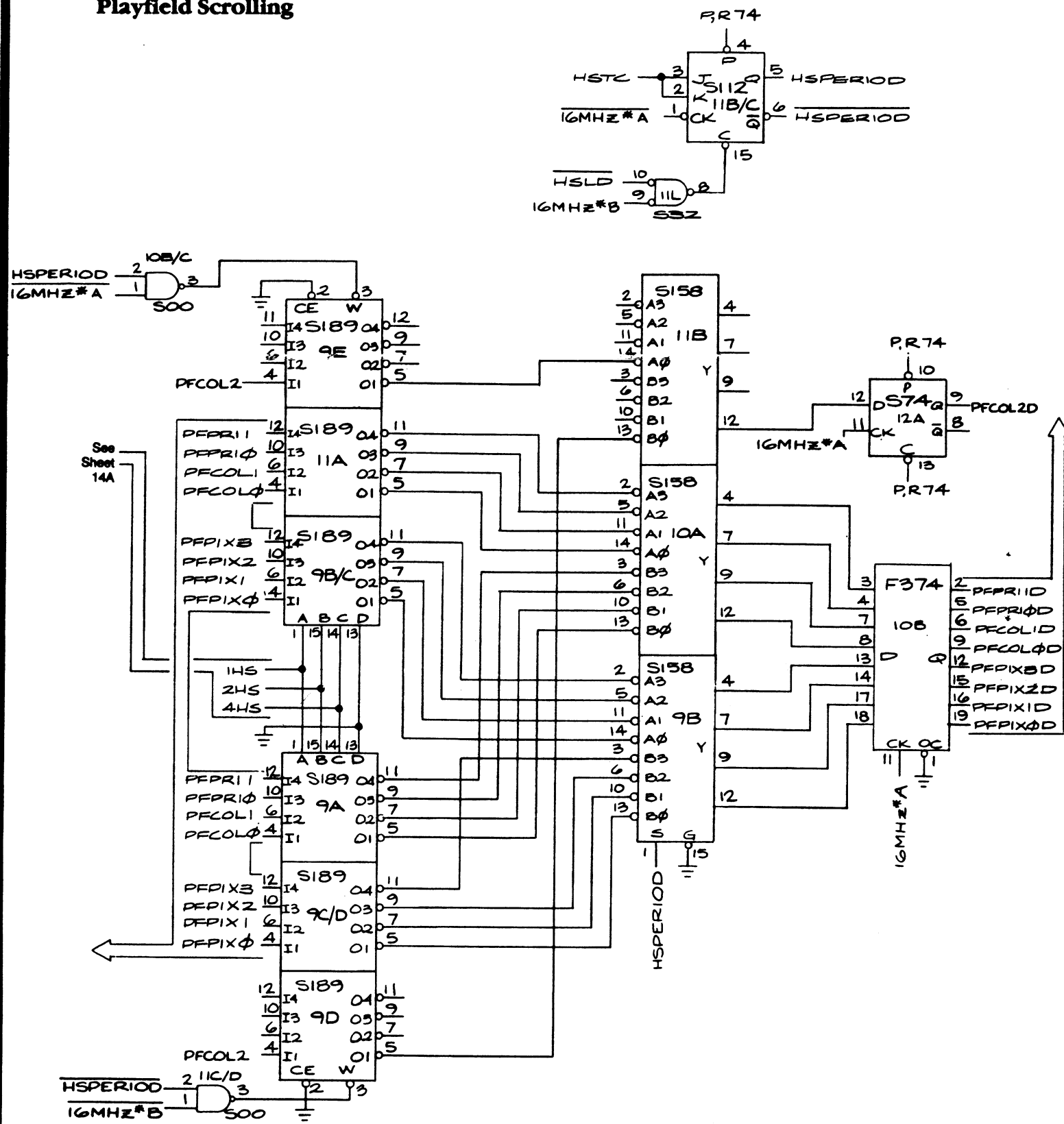


NOTICE TO ALL PERSONS RECEIVING THIS DRAWING
 CONFIDENTIAL: Reproduction forbidden without the specific written permission of Atari Games Corporation, Milpitas, CA. This drawing is only conditionally issued, and neither receipt nor possession thereof confers or transfers any right in, or license to use, the subject matter of the drawing or any design or technical information shown thereon, nor any right to reproduce this drawing or any part thereof. Except for manufacture by vendors of Atari Games Corporation, and for manufacture under the corporation's written license, no right is granted to reproduce this drawing or the subject matter thereof, unless by written agreement with or written permission from the corporation.

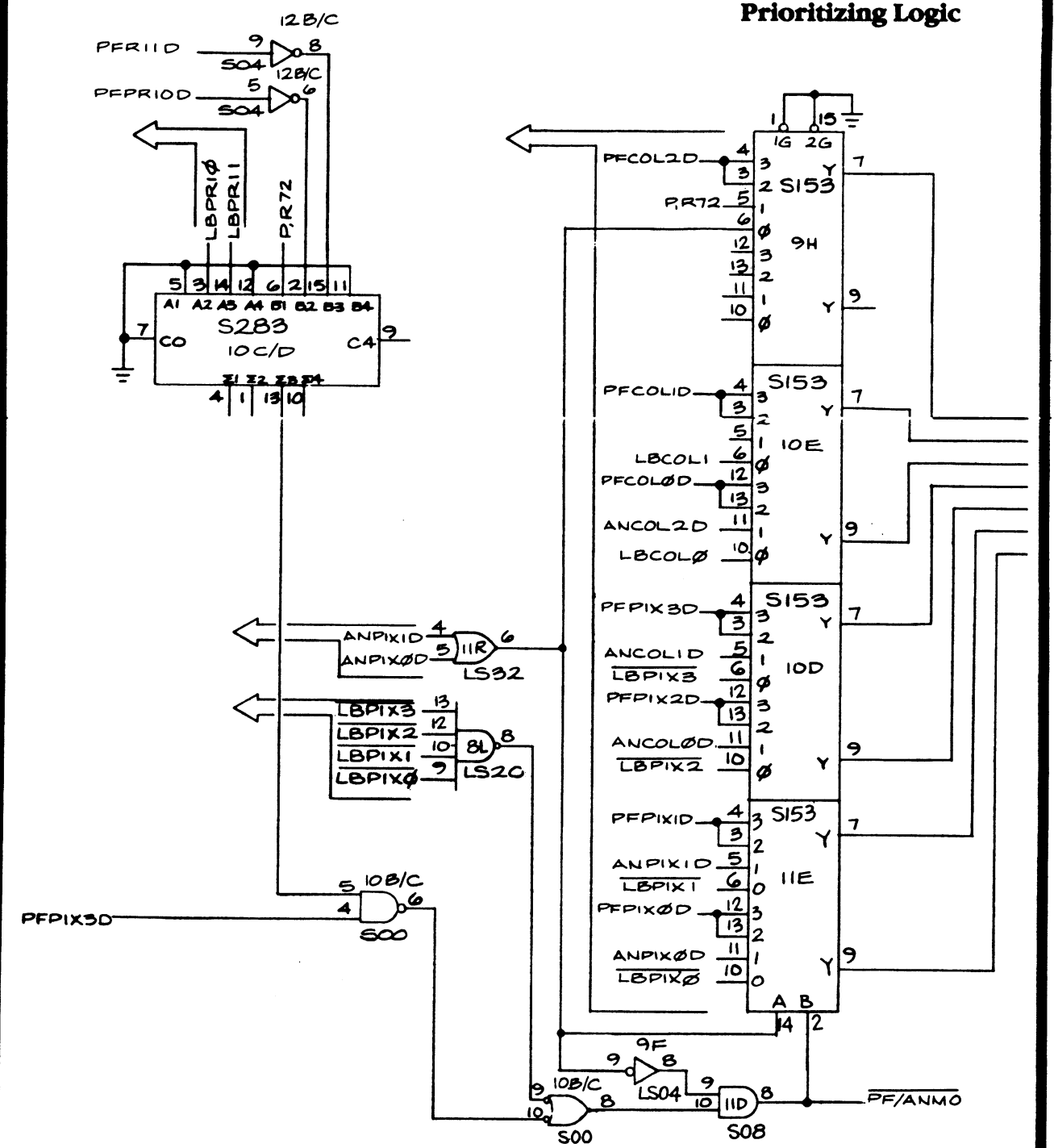


720°™ Video PCB Schematic Diagram

Playfield Scrolling



Prioritizing Logic



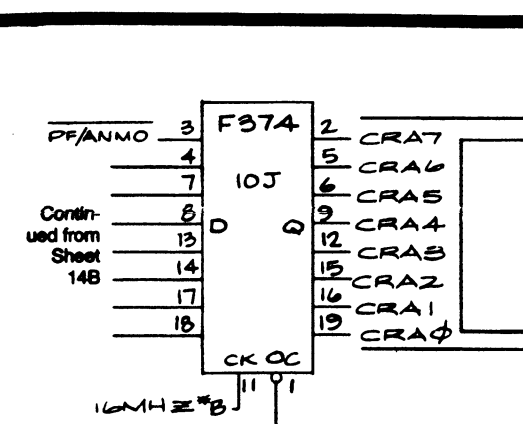
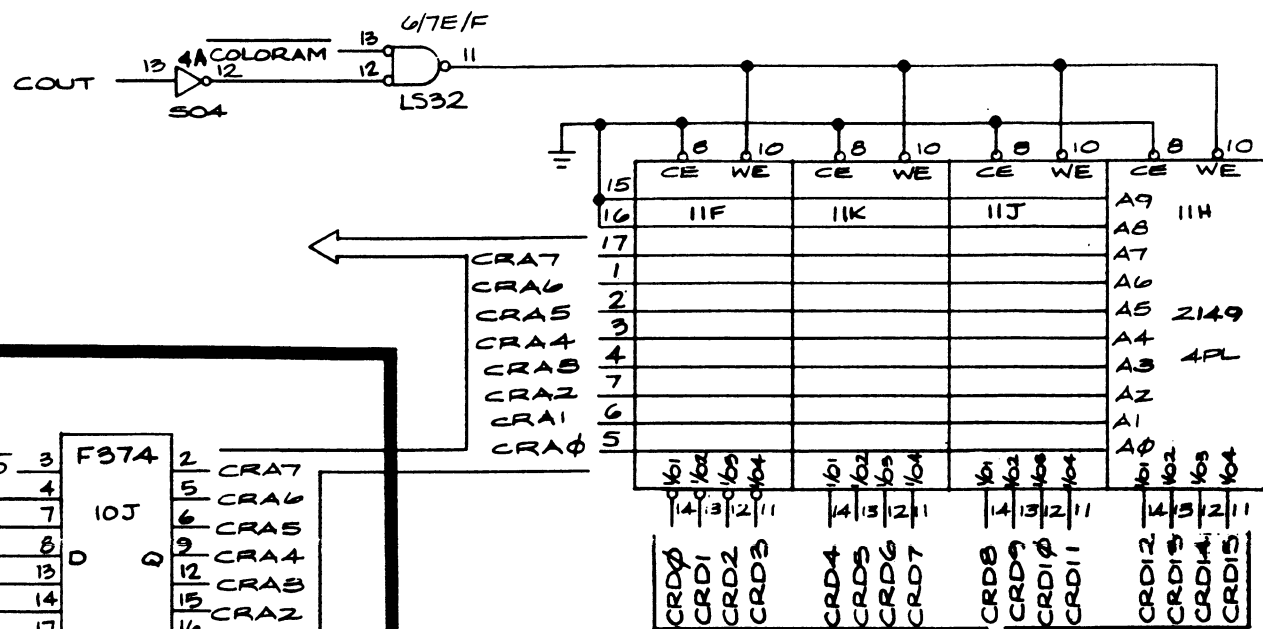
Continued on Sheet 15A

NOTICE TO ALL PERSONS RECEIVING THIS DRAWING
CONFIDENTIAL: Reproduction forbidden without the specific written permission of Atari Games Corporation, Milpitas, CA. This drawing is only conditionally issued, and neither receipt nor possession thereof confers or transfers any right in, or license to use, the subject matter of the drawing or any design or technical information shown thereon, nor any right to reproduce this drawing or any part thereof. Except for manufacture by vendors of Atari Games Corporation, and for manufacture under the corporation's written license, no right is granted to reproduce this drawing or the subject matter thereof, unless by written agreement with or written permission from the corporation.

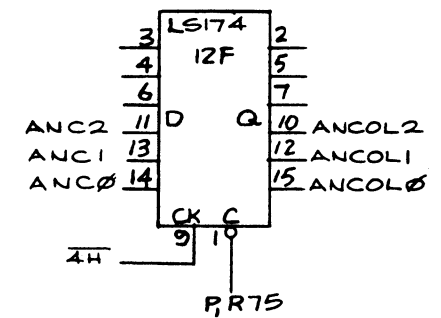
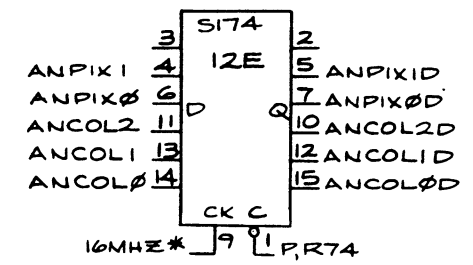
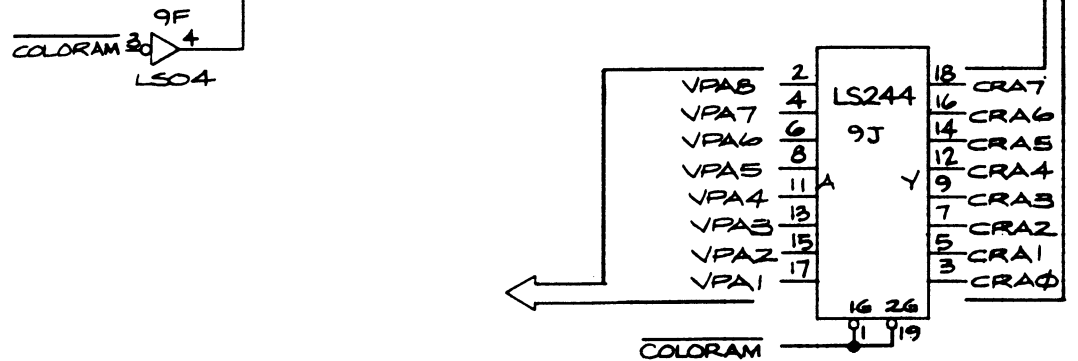


720° Video PCB Schematic Diagram

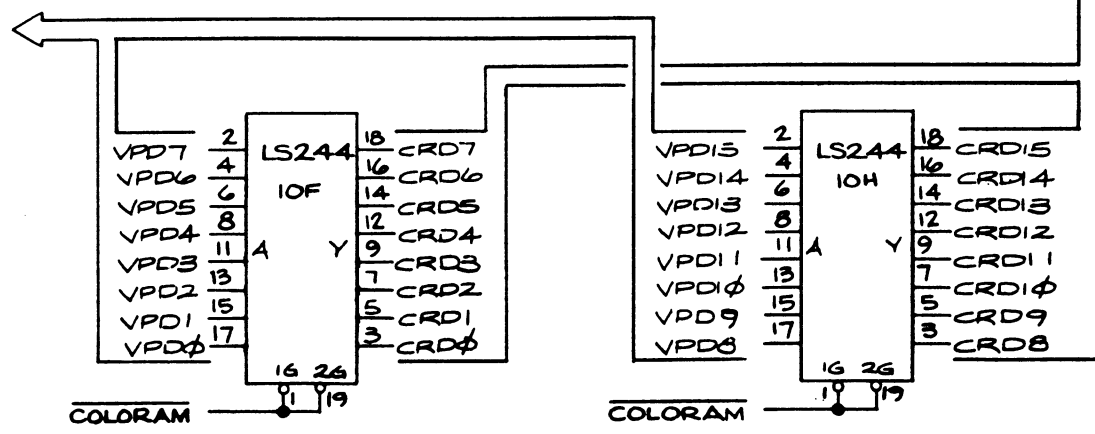
Color RAM



Color RAM Addressing and Data Buffers



Alphanumeric Color Palettes Selects

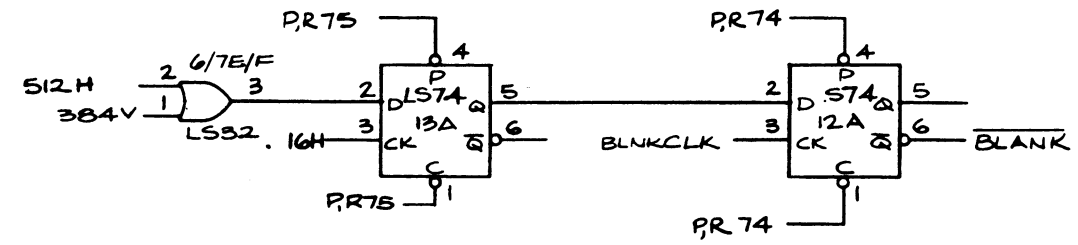
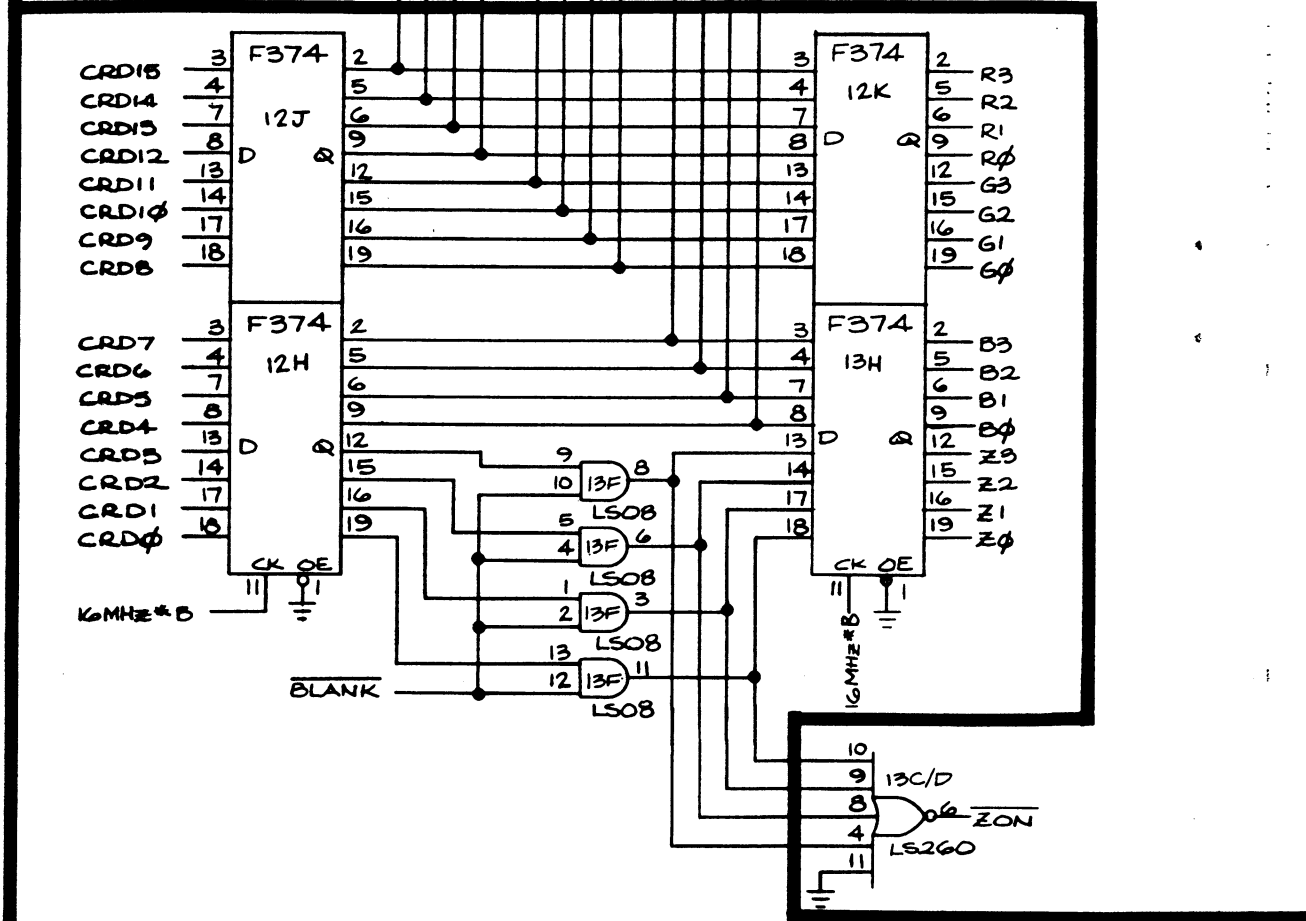
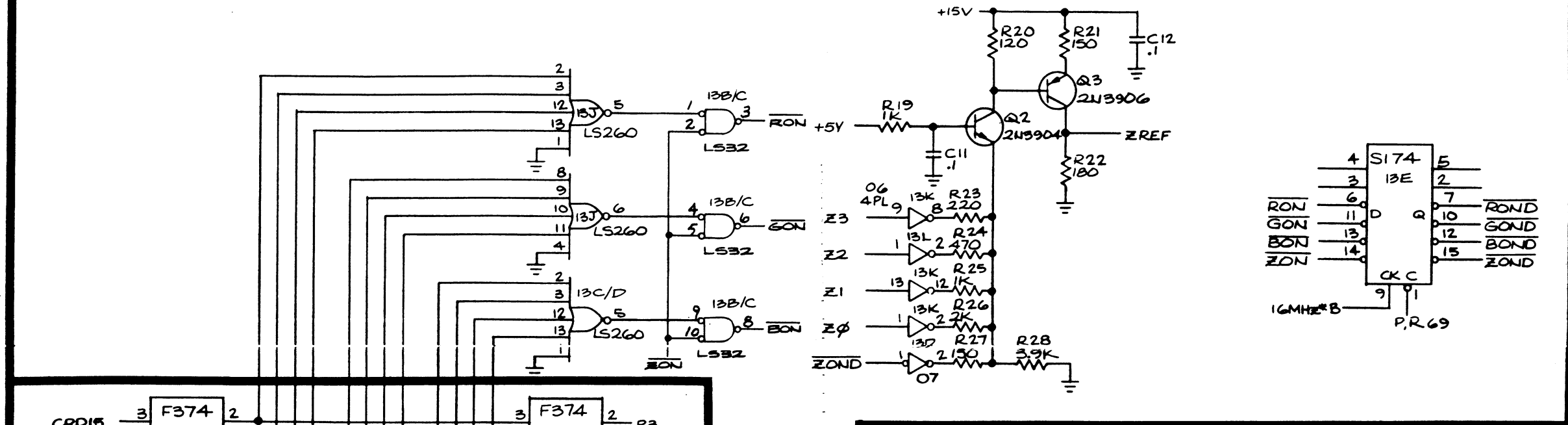


NOTICE TO ALL PERSONS RECEIVING THIS DRAWING
 CONFIDENTIAL: Reproduction forbidden without the specific written permission of Atari Games Corporation, Milpitas, CA. This drawing is only conditionally issued, and neither receipt nor possession thereof confers or transfers any right in, or license to use, the subject matter of the drawing or any design or technical information shown thereon, nor any right to reproduce this drawing or any part thereof. Except for manufacture by vendors of Atari Games Corporation, and for manufacture under the corporation's written license, no right is granted to reproduce this drawing or the subject matter thereof, unless by written agreement with or written permission from the corporation.



720™ Video PCB Schematic Diagram

Video Intensity Control and Driver Enables



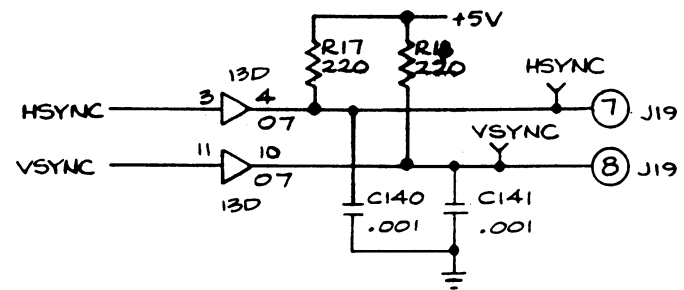
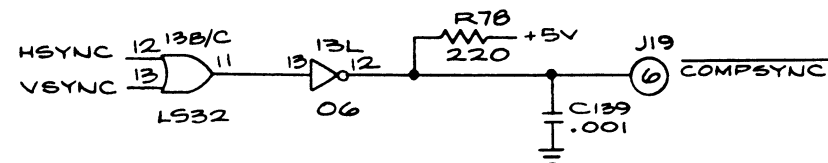
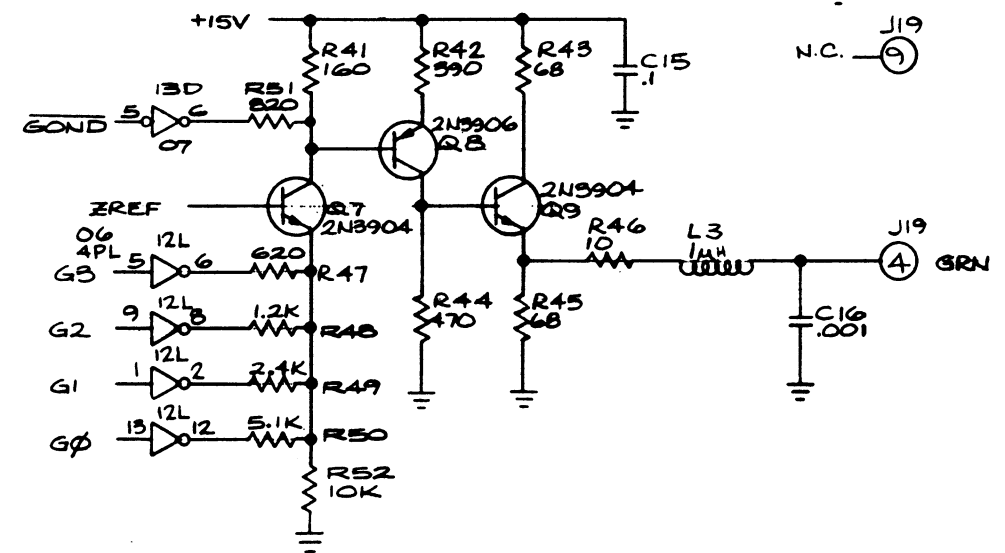
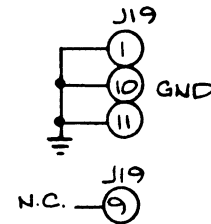
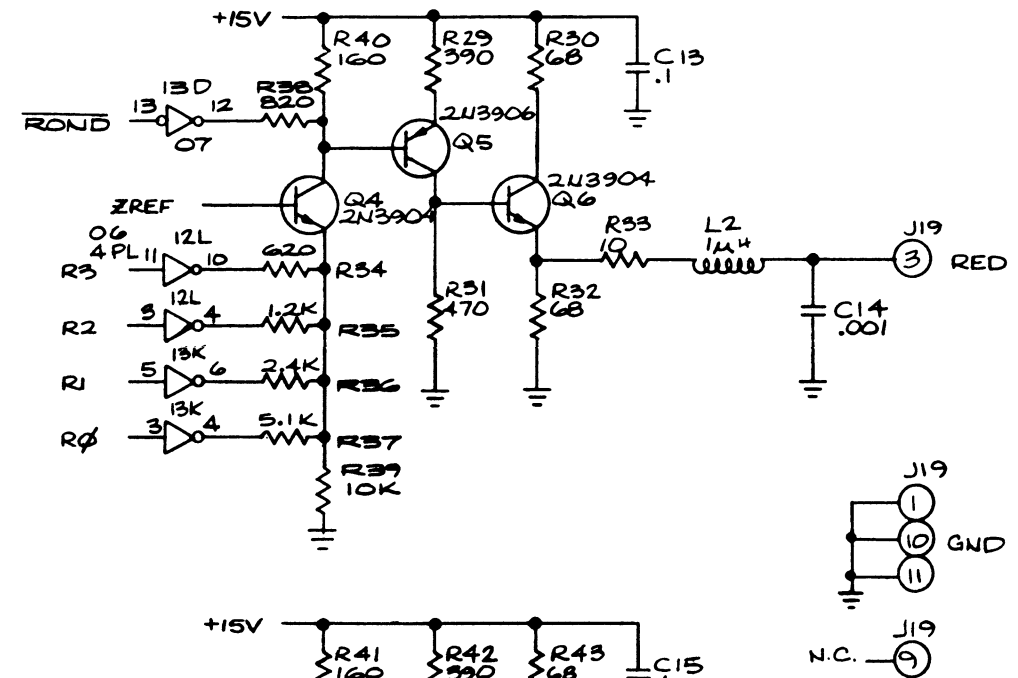
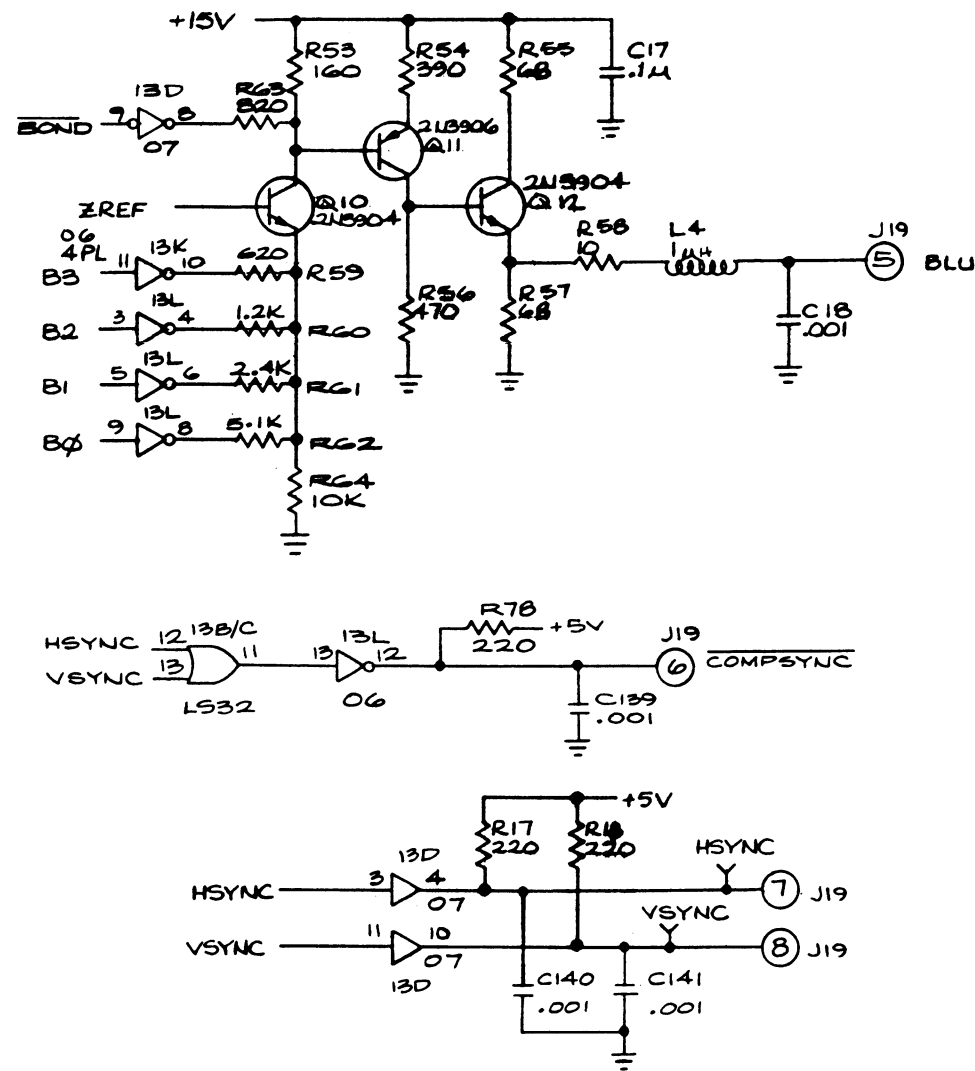
Data Latches and Blanking

NOTICE TO ALL PERSONS RECEIVING THIS DRAWING
 CONFIDENTIAL: Reproduction forbidden without the specific written permission of Atari Games Corporation, Milpitas, CA. This drawing is only conditionally issued, and neither receipt nor possession thereof confers or transfers any right in, or license to use, the subject matter of the drawing or any design or technical information shown thereon, nor any right to reproduce this drawing or any part thereof. Except for manufacture by vendors of Atari Games Corporation, and for manufacture under the corporation's written license, no right is granted to reproduce this drawing or the subject matter thereof, unless by written agreement with or written permission from the corporation.



720^o Video PCB Schematic Diagram

Output Drivers



NOTICE TO ALL PERSONS RECEIVING THIS DRAWING

CONFIDENTIAL: Reproduction forbidden without the specific written permission of Atari Games Corporation, Milpitas, CA. This drawing is only conditionally issued, and neither receipt nor possession thereof confers or transfers any right in, or license to use, the subject matter of the drawing or any design or technical information shown thereon, nor any right to reproduce this drawing or any part thereof. Except for manufacture by vendors of Atari Games Corporation, and for manufacture under the corporation's written license, no right is granted to reproduce this drawing or the subject matter thereof, unless by written agreement with or written permission from the corporation.



720^o Video PCB Schematic Diagram

© 1986 Atari Games Corporation

SP-294 Sheet 16A
1st printing