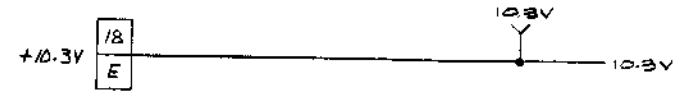
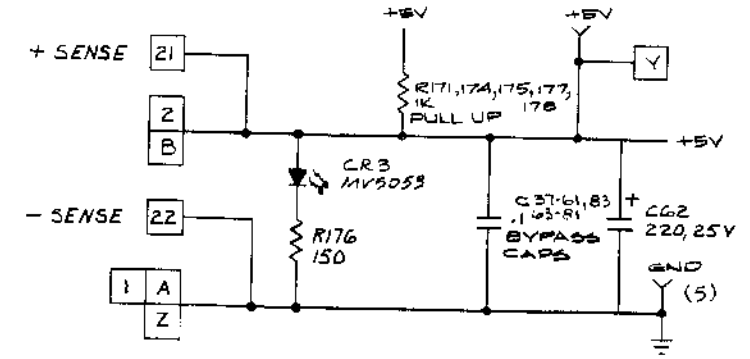
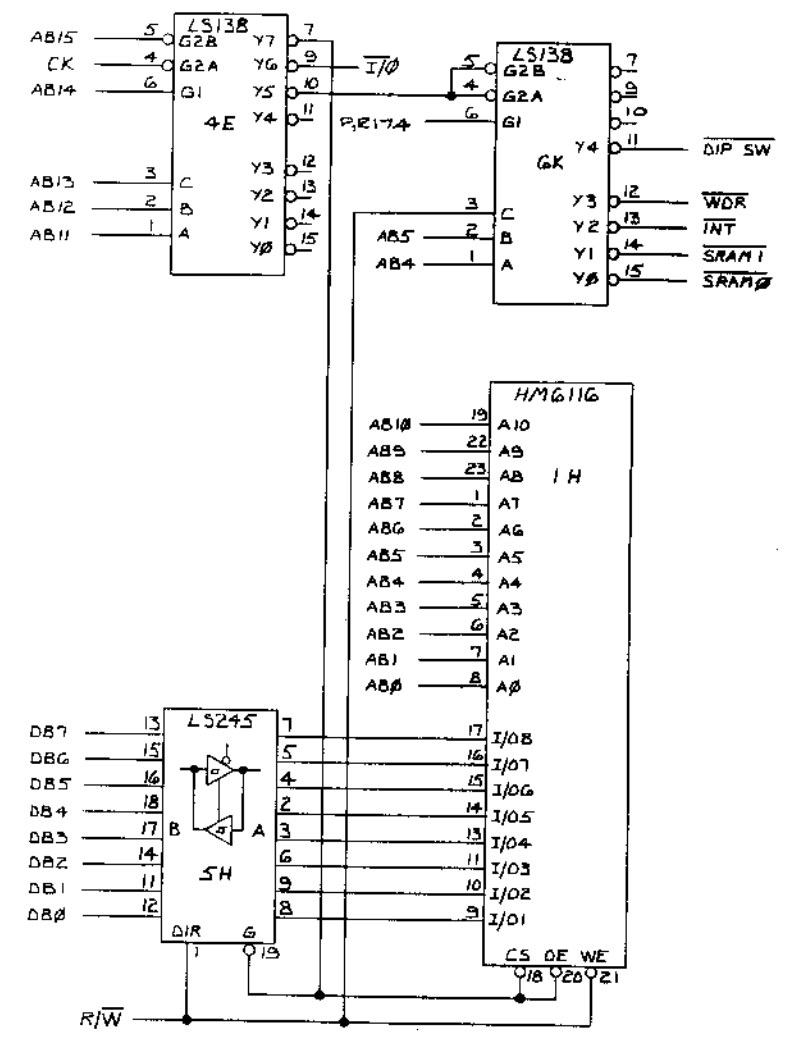
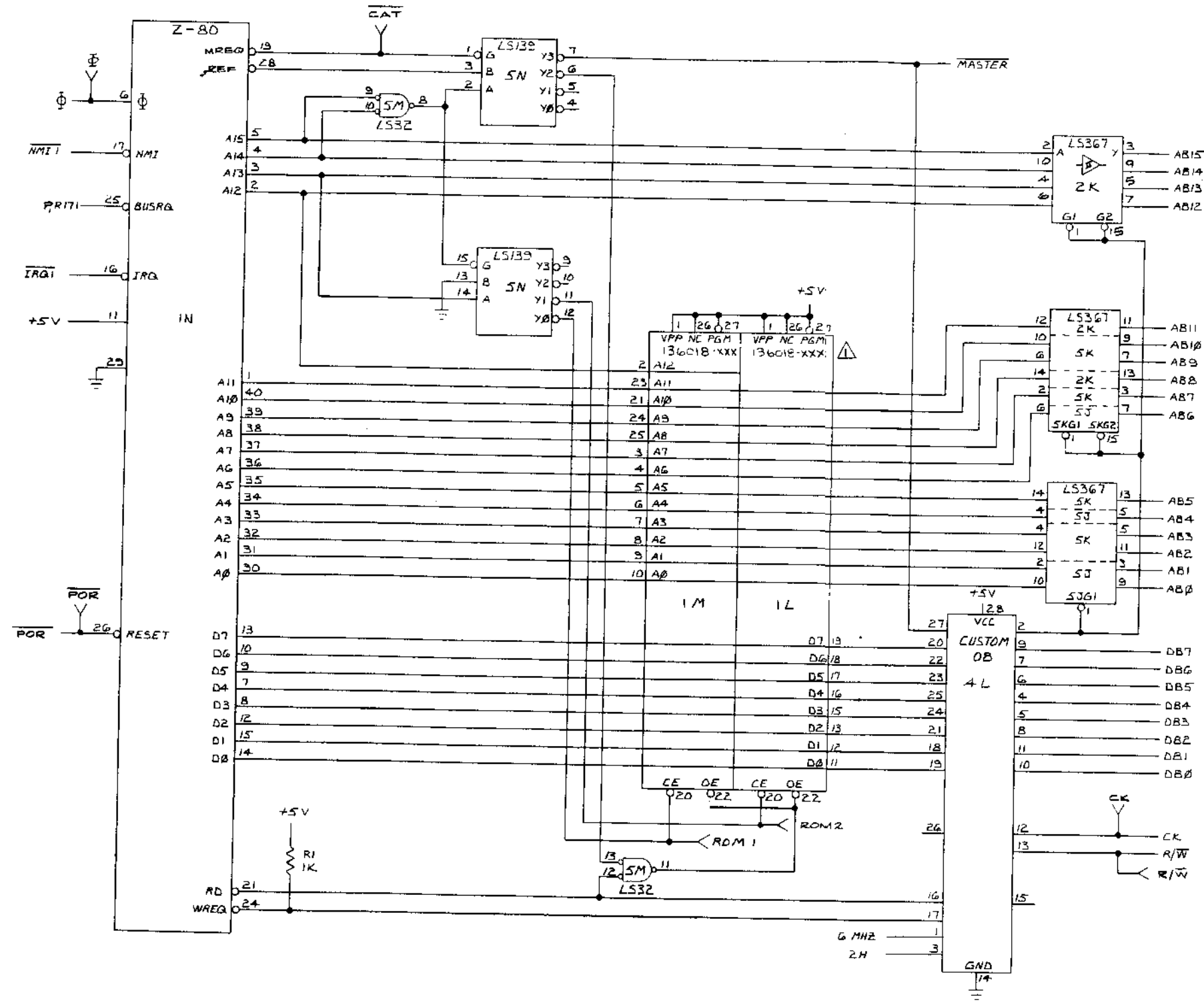
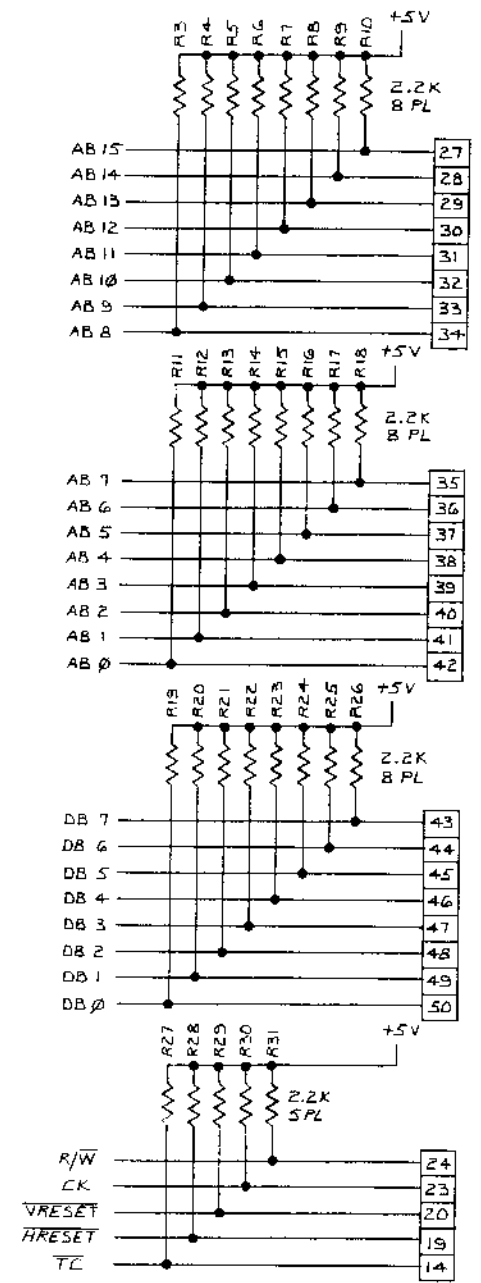
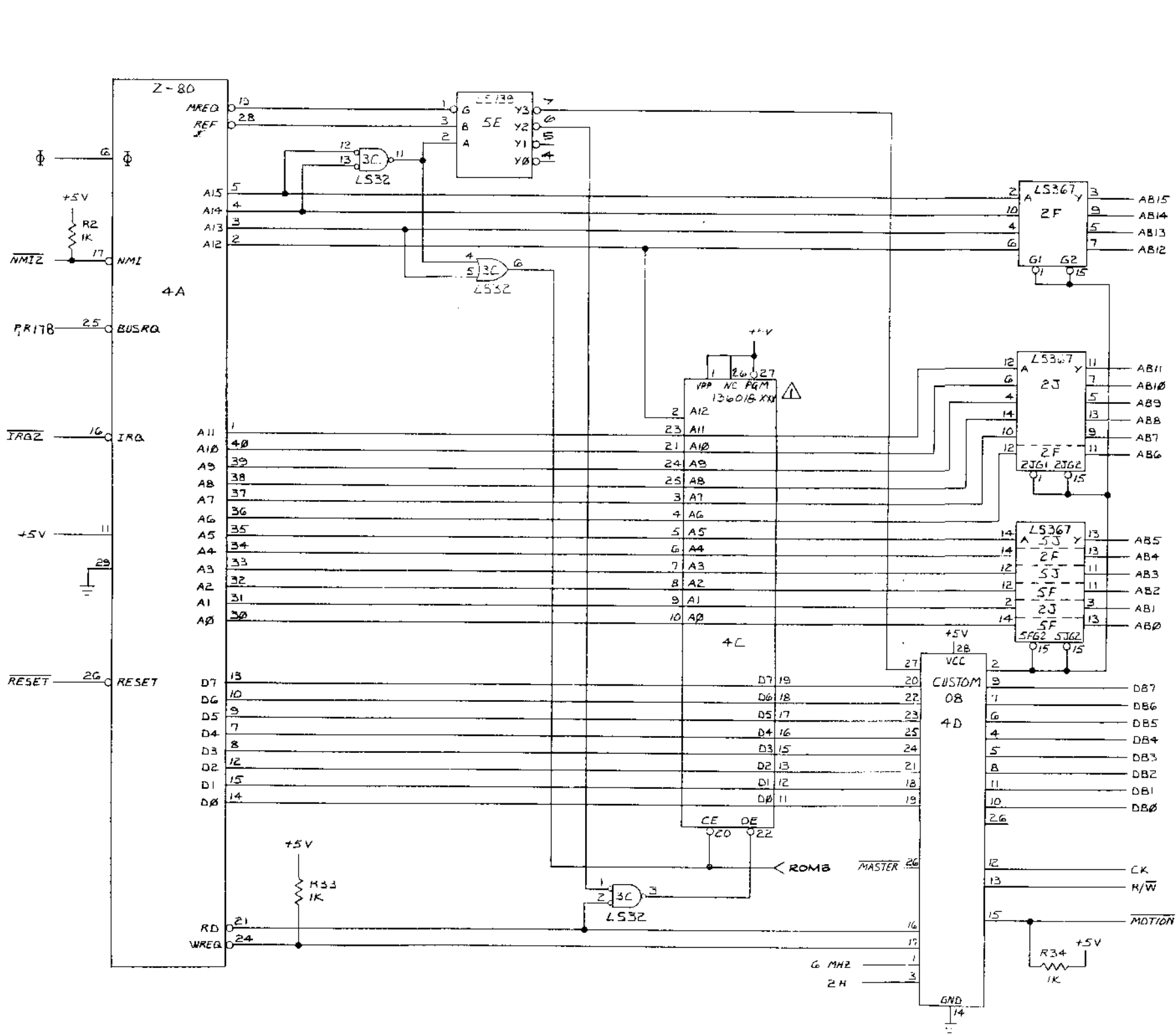


MEMORY MAP

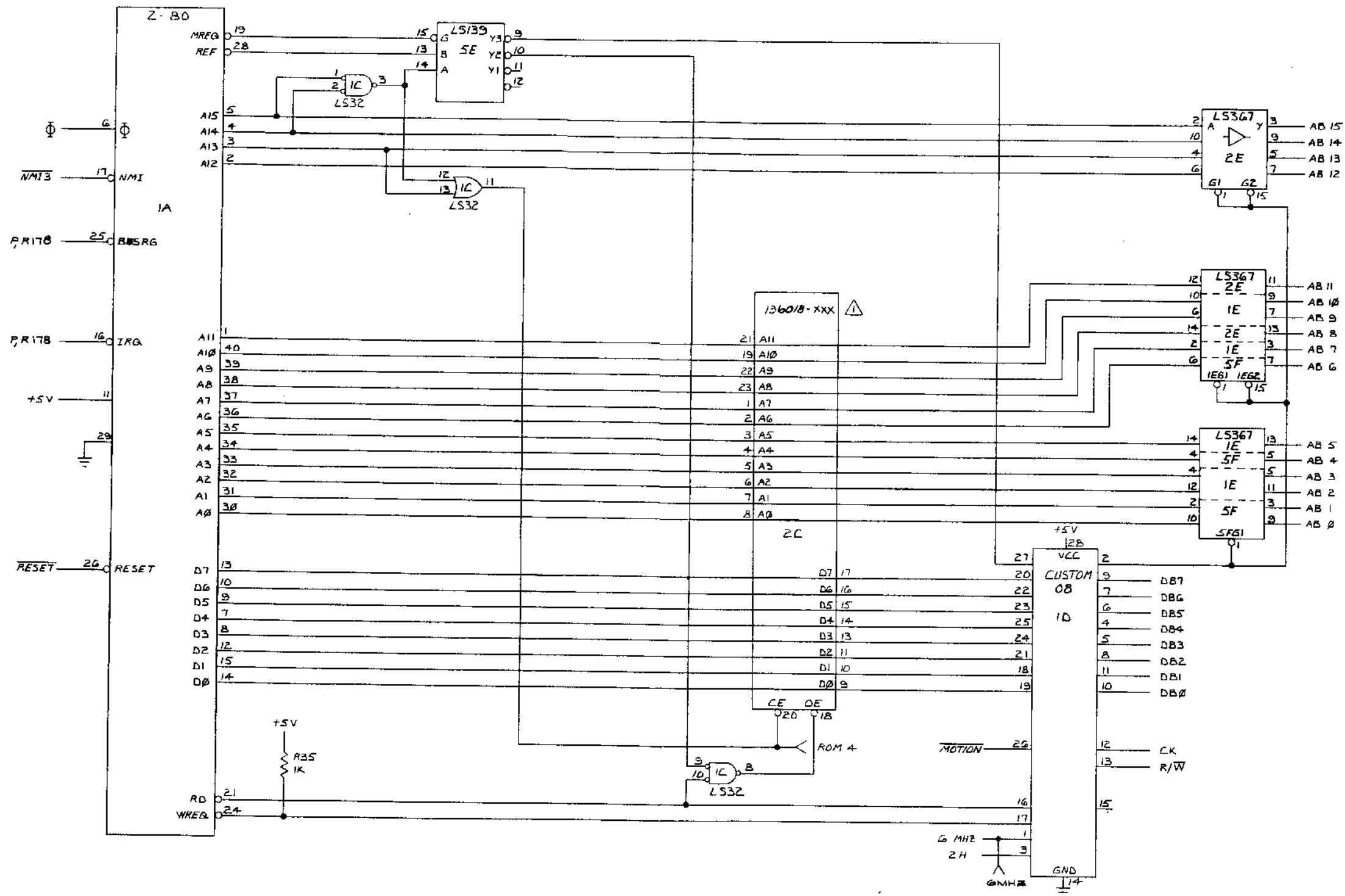
HEXA-DECIMAL ADDRESS	ADDRESS BUS SIGNAL LINES														R/W	DATA BUS SIGNAL LINES								FUNCTION											
	A15	A14	A13	A12	A11	A10	A9	A8	A7	A6	A5	A4	A3	A2		A1	A0	D7	D6	D5	D4	D3	D2		D1	D0									
CPU PCB																																			
0000-1FFF	0	0	0	A	A	A	A	A	A	A	A	A	A	A	A	A	A	A	A	A	A	A	A	A	A	R	D	D	D	D	D	D	D	D	MASTER PROGRAM
0000-2FFF	0	0	1	A	A	A	A	A	A	A	A	A	A	A	A	A	A	A	A	A	A	A	A	A	A	R	D	D	D	D	D	D	D	D	MASTER PROGRAM
0000-1FFF	0	0	0	A	A	A	A	A	A	A	A	A	A	A	A	A	A	A	A	A	A	A	A	A	A	R	D	D	D	D	D	D	D	D	MOTION PROGRAM
0000-1FFF	0	0	0	A	A	A	A	A	A	A	A	A	A	A	A	A	A	A	A	A	A	A	A	A	A	R	D	D	D	D	D	D	D	D	SOUND PROGRAM
6800	0	1	1	0	1					0	0	0		0	0	0										W									SOUND RAM 0
6810	0	1	1	0	1					0	0	1		0	0	0										W									SOUND RAM 1
6820	0	1	1	0	1					0	1	0		0	0	0										W									CLEAR
6821	0	1	1	0	1					0	1	0		0	0	1										W									CLEAR
6822	0	1	1	0	1					0	1	0		0	1	0										W									NMION
6823	0	1	1	0	1					0	1	0		0	1	1										W									RESET
6824-6827	0	1	1	0	1					0	1	0		A	A	A										W									NOT USED
6830	0	1	1	0	1						1	1														W									WDR
6840	0	1	1	0	1						A	A		A	A	A							D	D		R									DIP SW
7000	0	1	1	1	0																		D	D		R/W	D	D	D	D	D	D	D	D	I/O DECODE
7100	0	1	1	1	0																					R/W									I/O CONTROL
7800	0	1	1	1	1	A	A	A	A	A	A	A	A	A	A	A							D	D		R/W	D	D	D	D	D	D	D	D	RAM
VIDEO PCB																																			
8000-8FFF	1	0	0	0		A	A	A	A	A	A	A	A	A	A	A										R/W	D	D	D	D	D	D	D	D	RAM 2S
9000-9FFF	1	0	0	1		A	A	A	A	A	A	A	A	A	A	A										R/W	D	D	D	D	D	D	D	D	RAM 2R
A000-AFFF	1	0	1	0		A	A	A	A	A	A	A	A	A	A	A										R/W	D	D	D	D	D	D	D	D	RAM 2P
B000-BFFF	1	0	1	1		A	A	A	A	A	A	A	A	A	A	A										R/W	D	D	D	D	D	D	D	D	RAM 1
C000-CFFF	1	1	0	0		A	A	A	A	A	A	A	A	A	A	A										R/W	D	D	D	D	D	D	D	D	RAM 2
D000	1	1	0	1																						R									PAL
F000	1	1	1	1																						R/W									BB0 (Read) BSO (Write)
F001	1	1	1	1																						R/W									BB1 (Read) BS1 (Write)



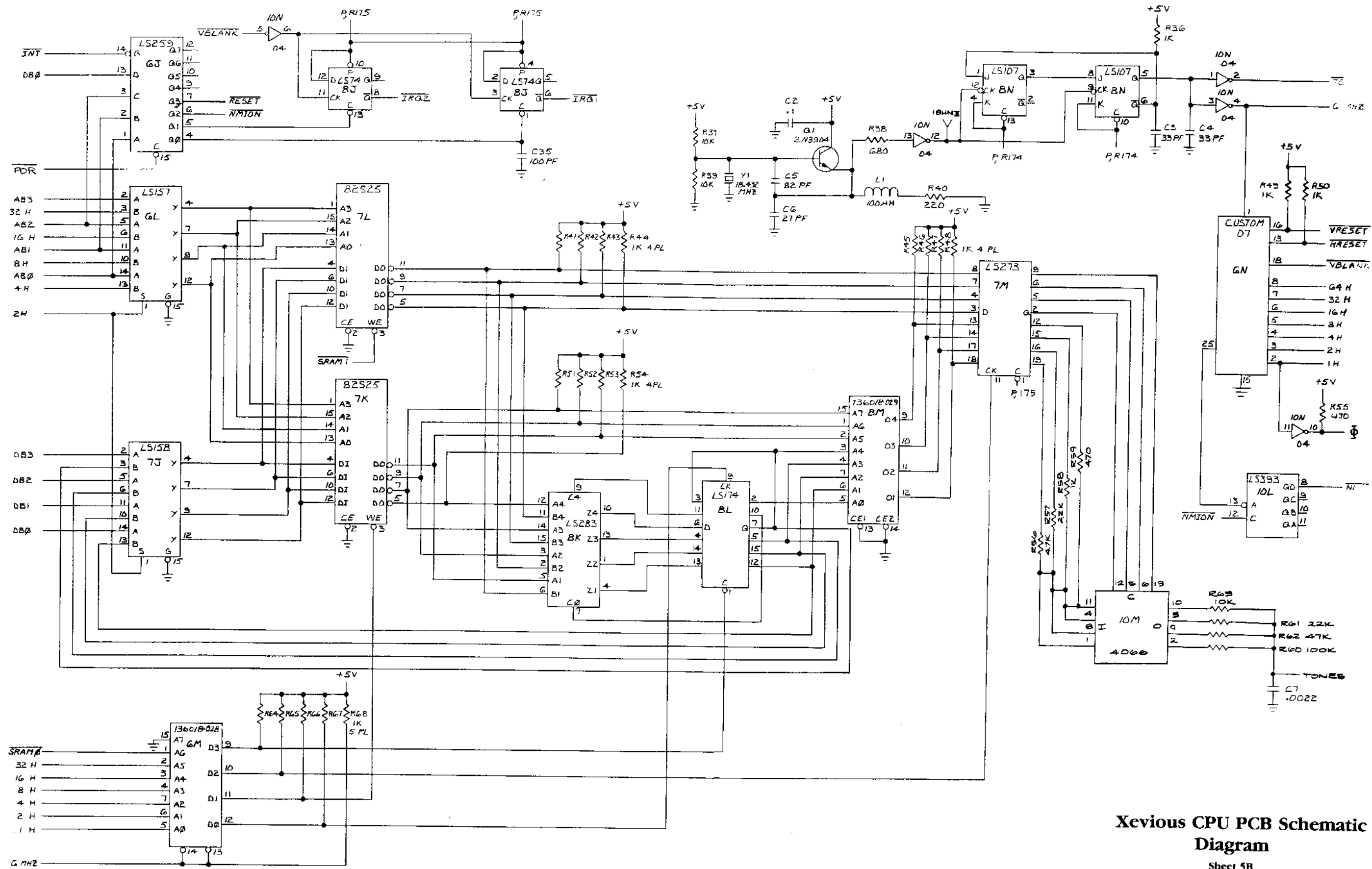
Xevious CPU PCB Schematic Diagram
Sheet 4A



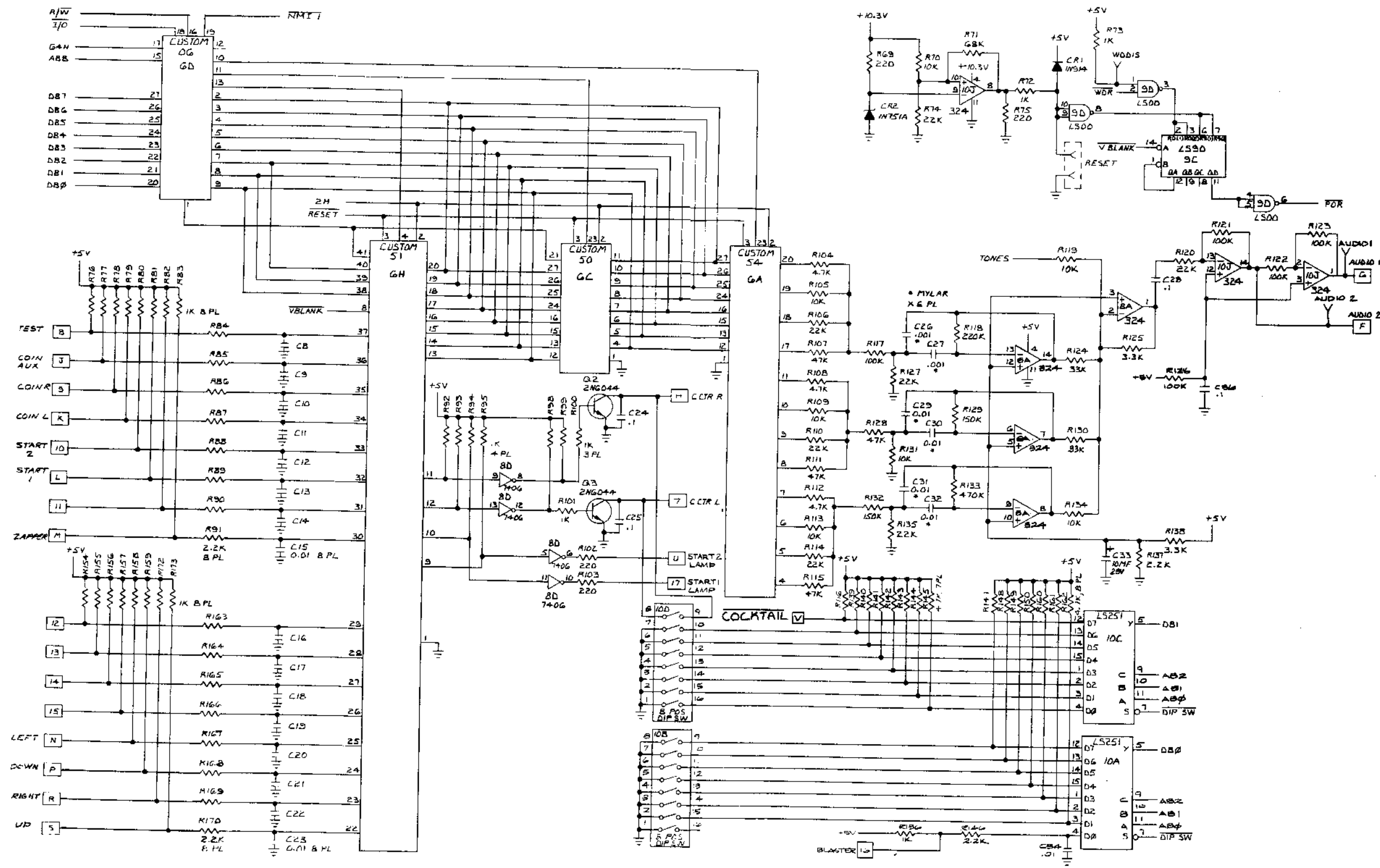
Xevious CPU PCB Schematic Diagram
Sheet 4B



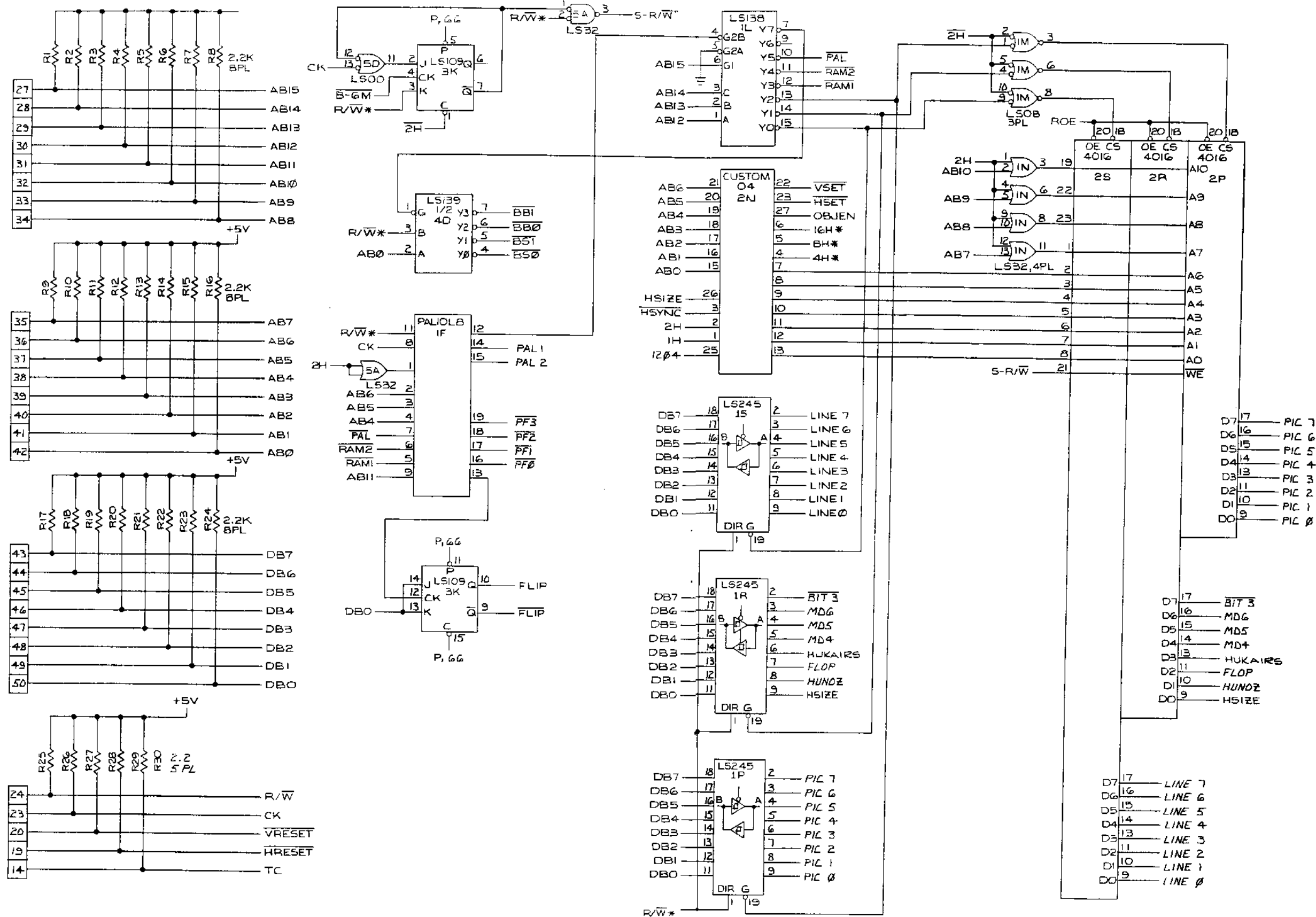
Xevious CPU PCB Schematic Diagram



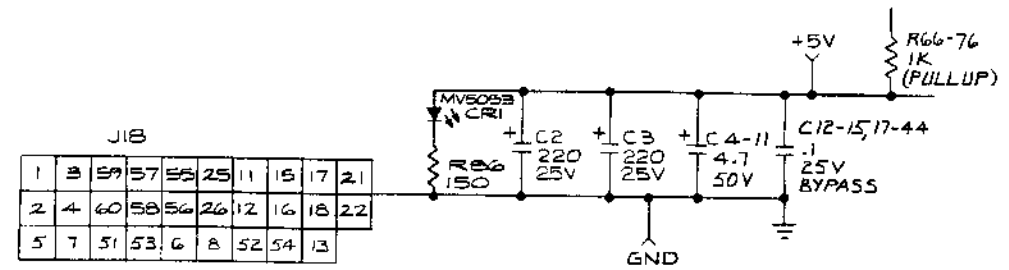
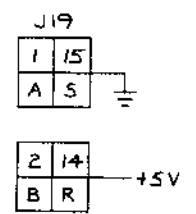
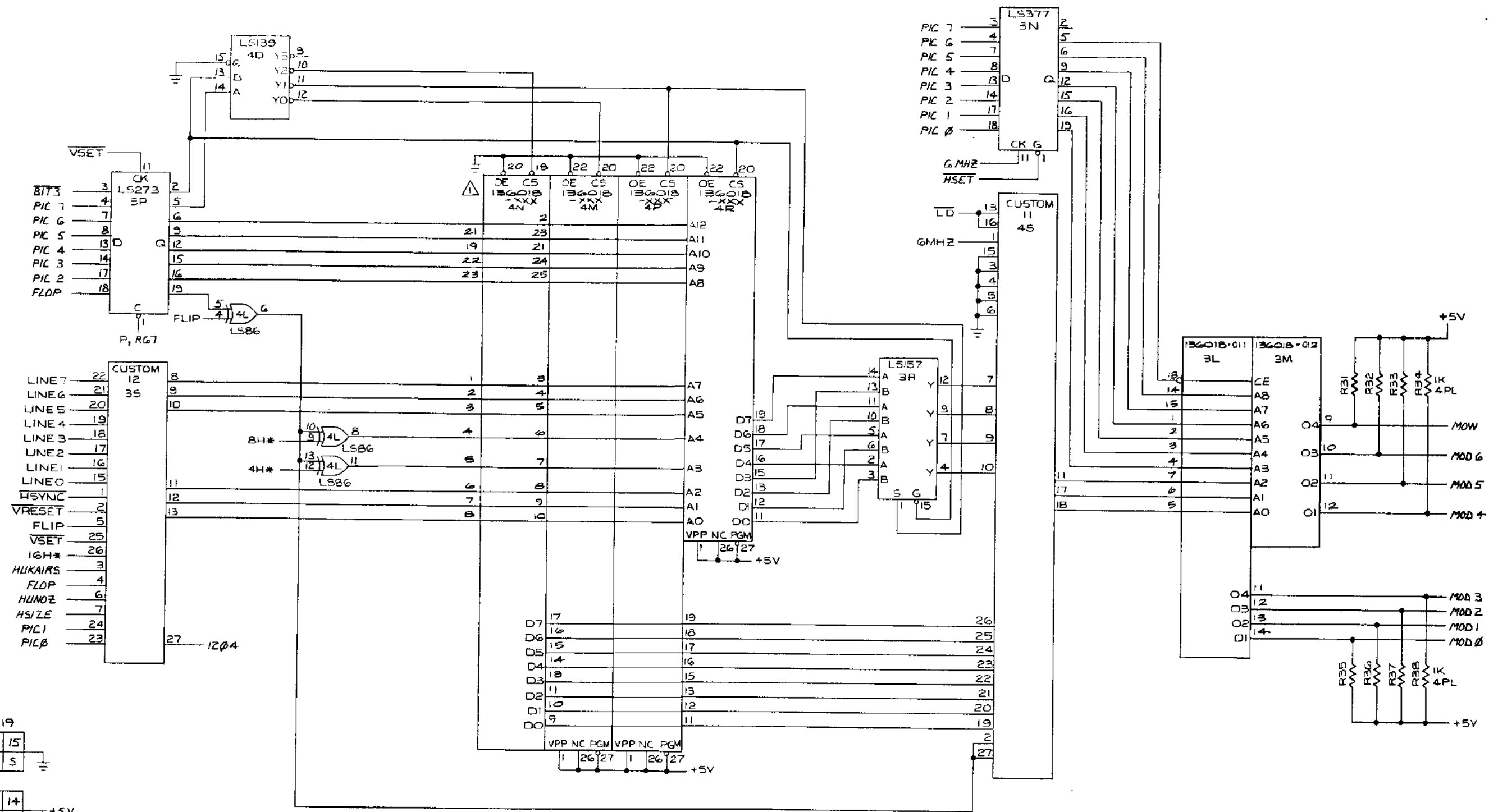
Xevius CPU PCB Schematic Diagram
Sheet 5B



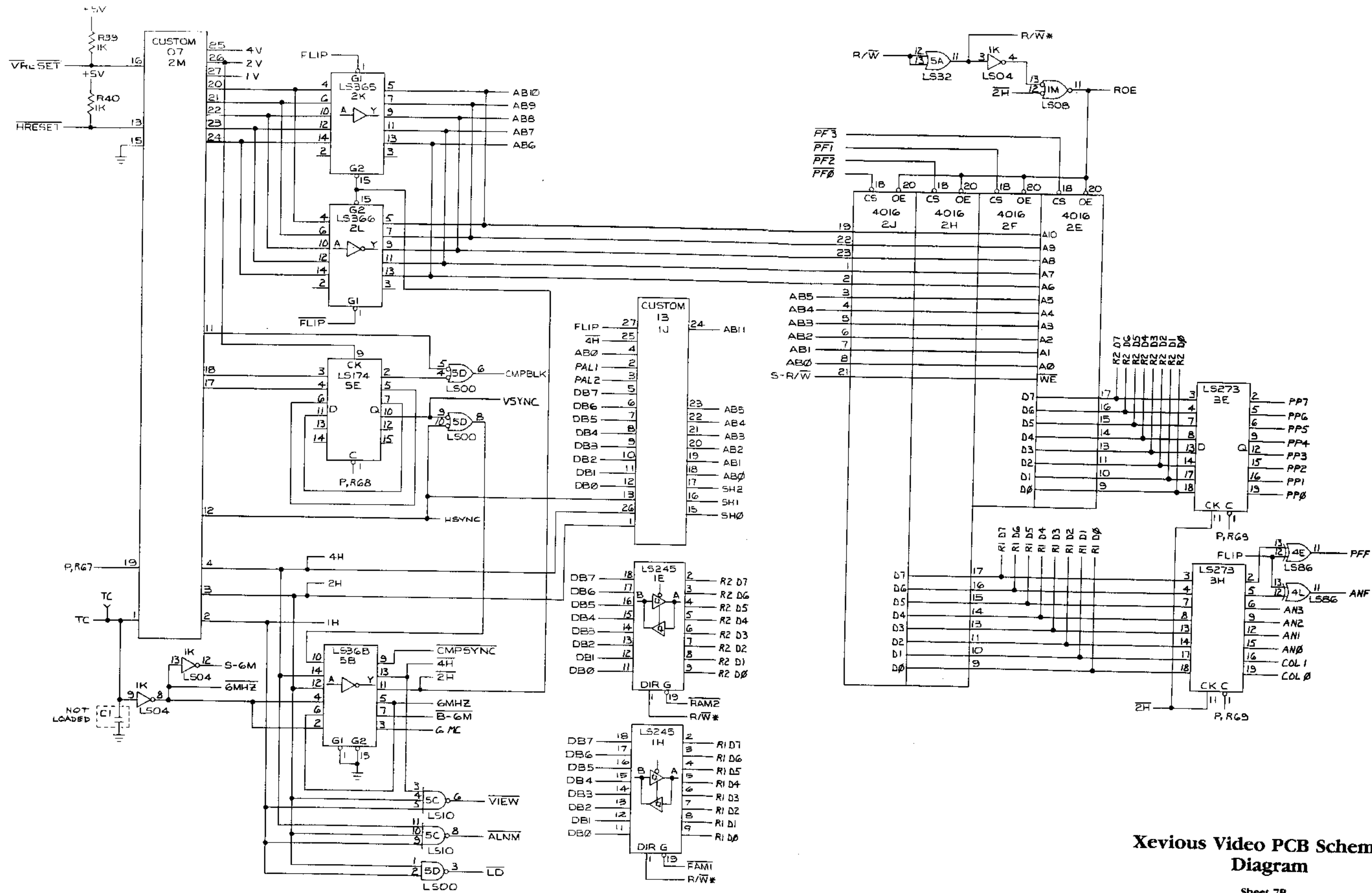
Xevius CPU PCB Schematic Diagram



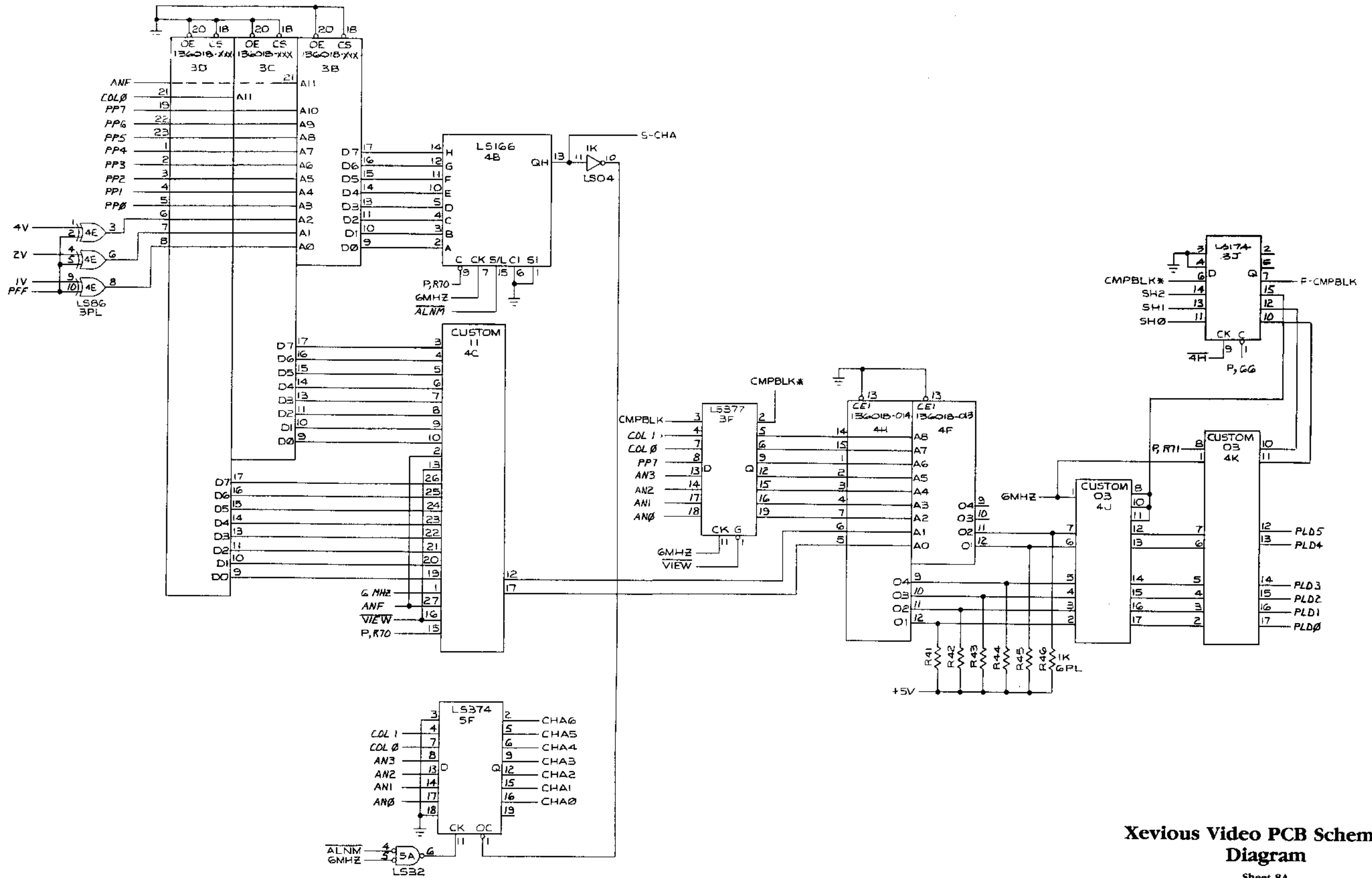
Xevious Video PCB Schematic Diagram



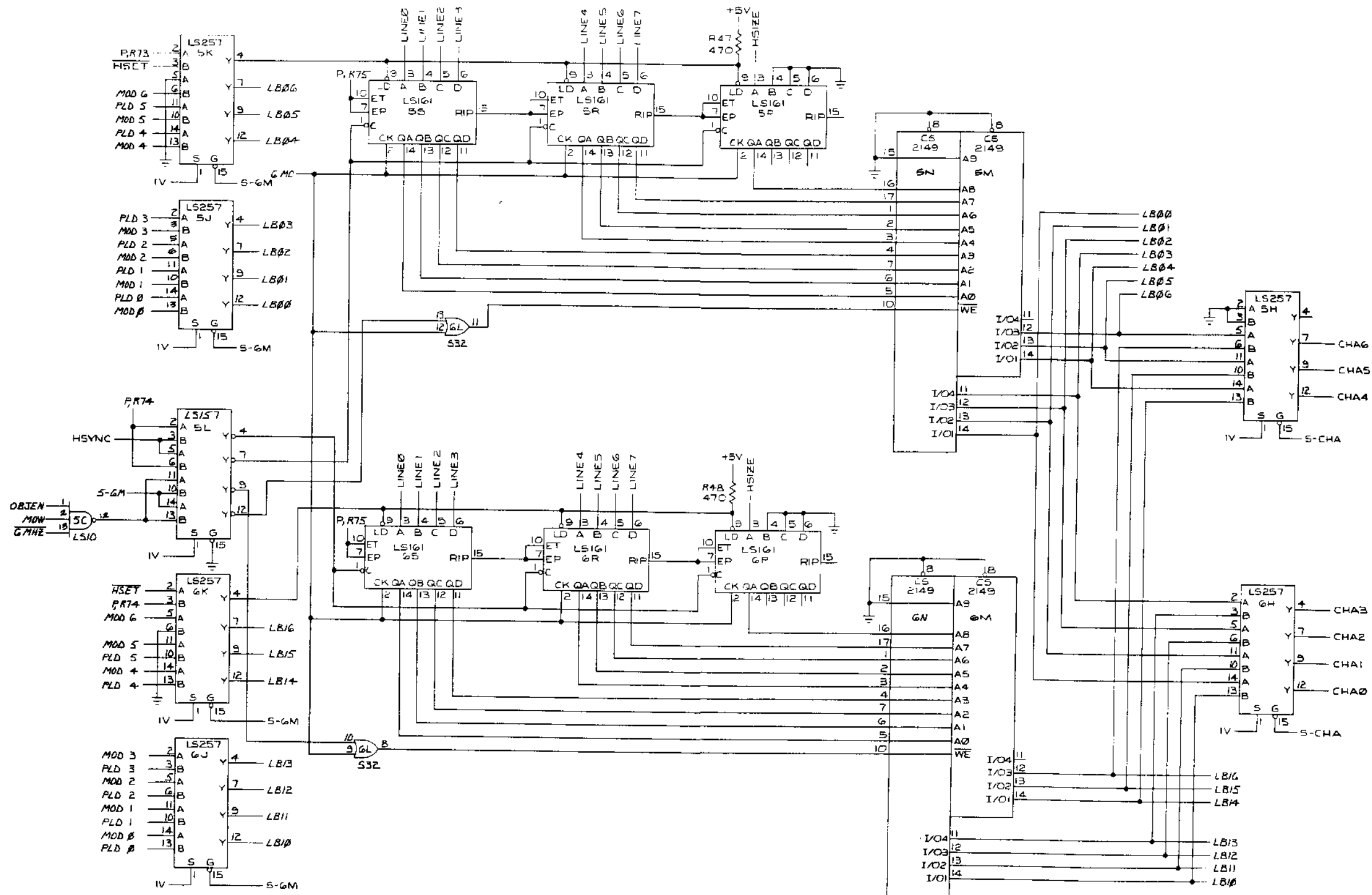
Xevious Video PCB Schematic Diagram
 Sheet 7A



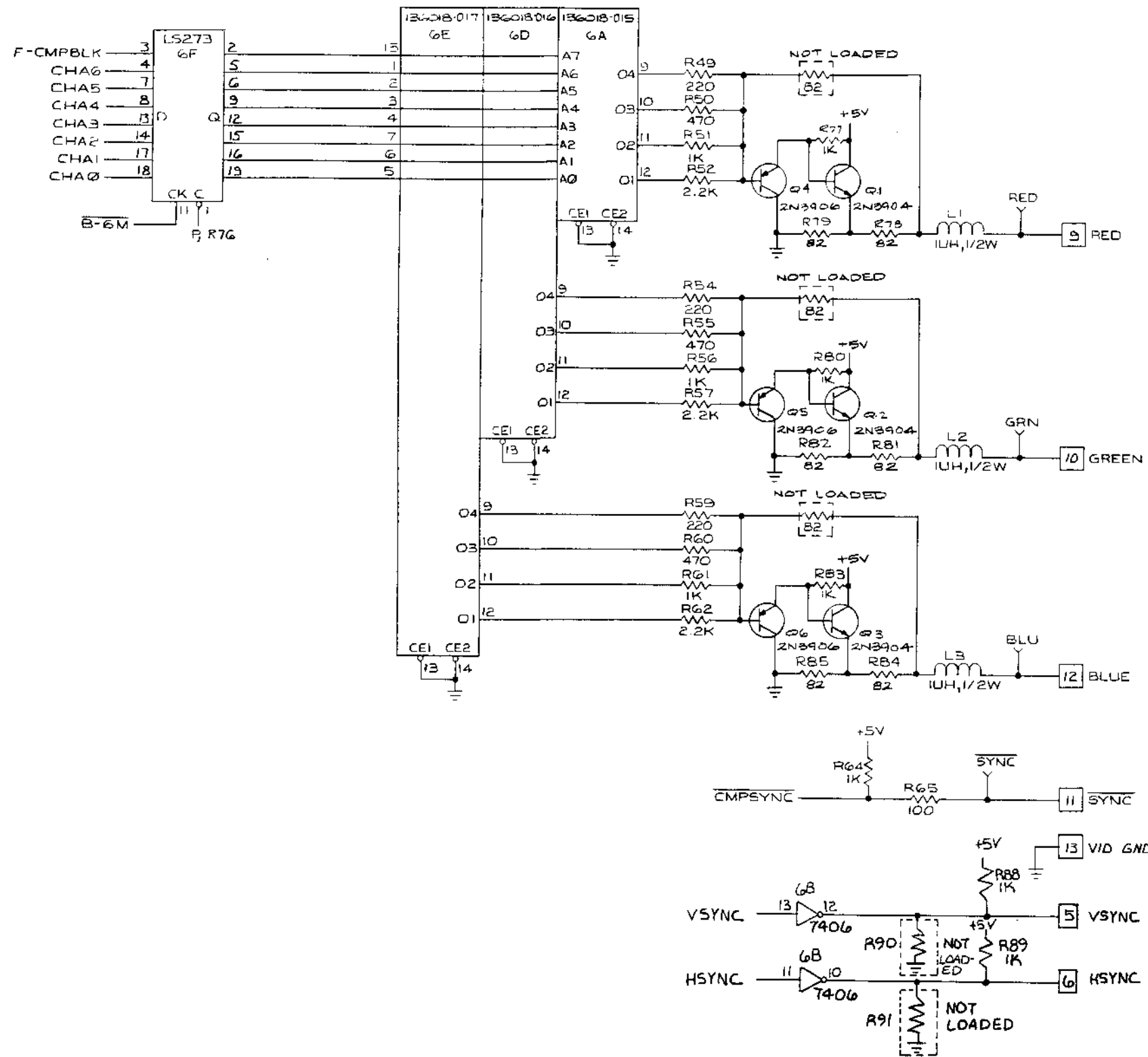
Xevious Video PCB Schematic Diagram



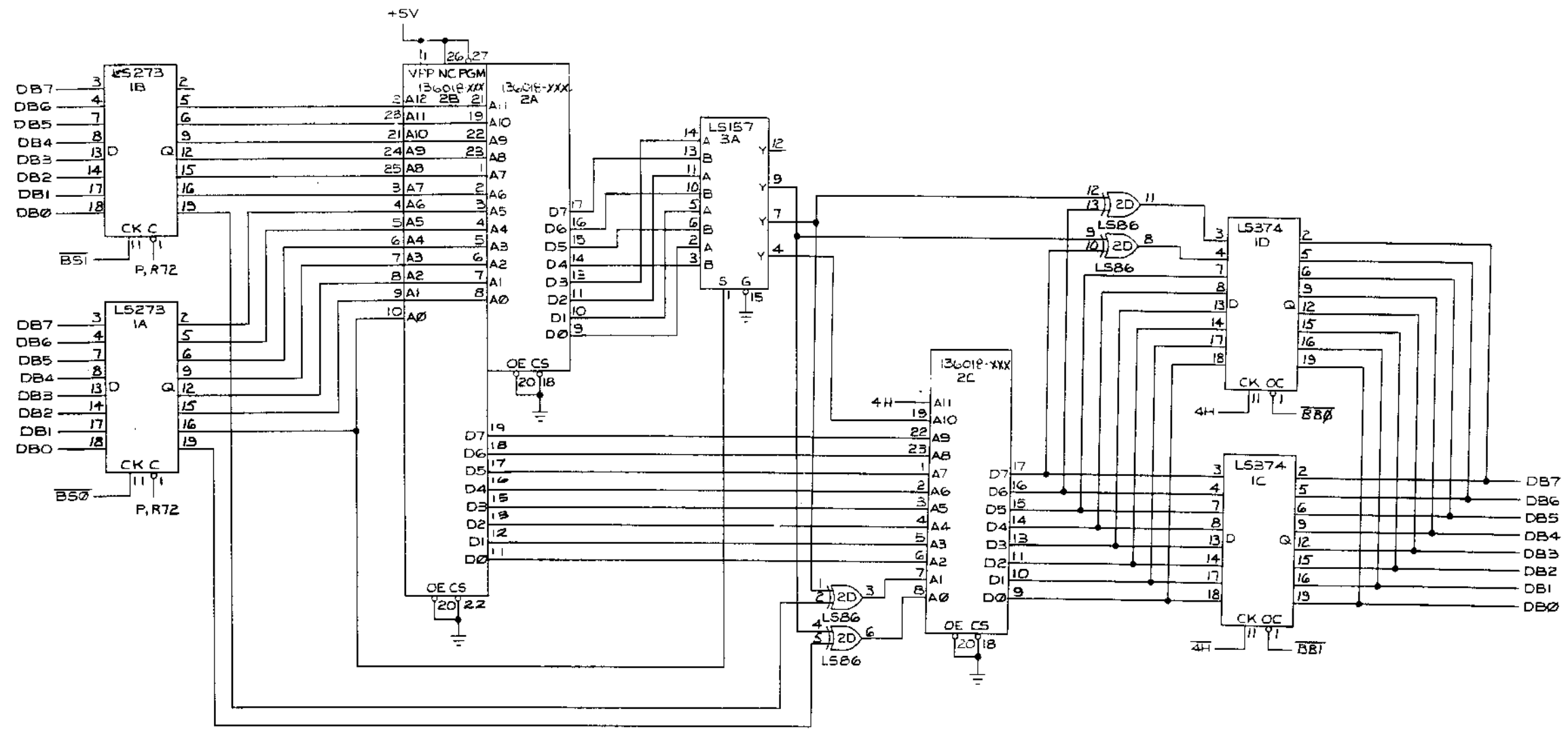
**Xevious Video PCB Schematic
Diagram**



Xevious Video PCB Schematic Diagram



Xevious Video PCB Schematic Diagram



**Xevious Video PCB Schematic
Diagram**