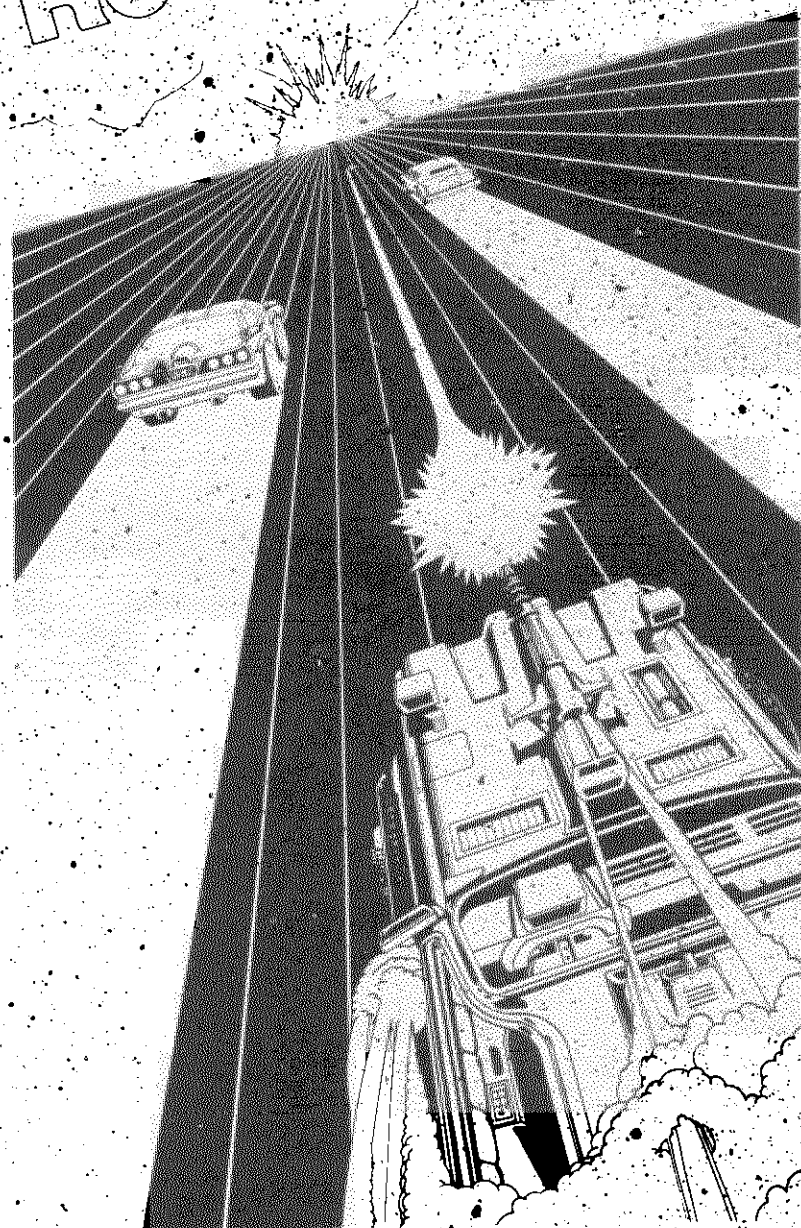


Road Blasters Schematic Package

Supplement to the Operators Manual

For System I Game

RoadBlasters



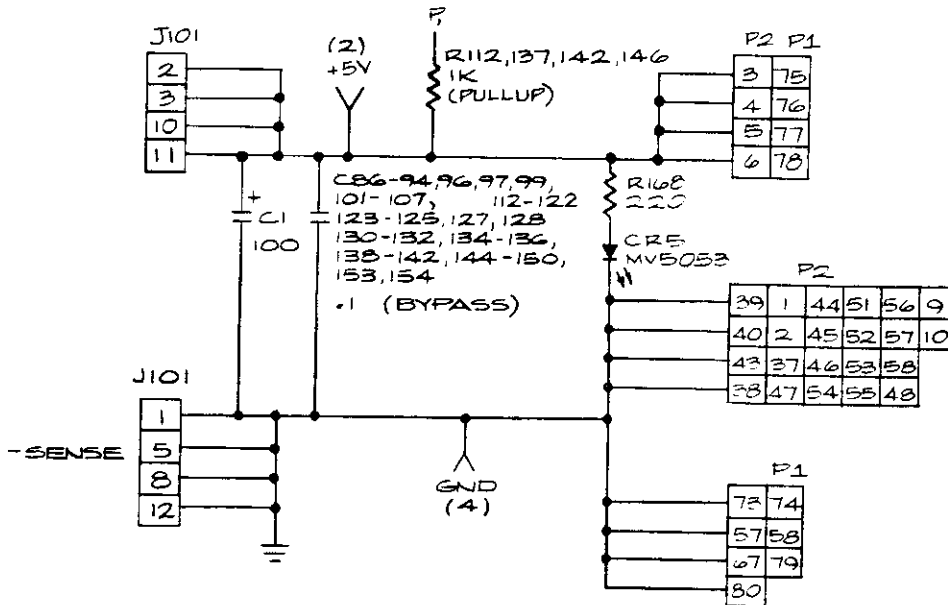
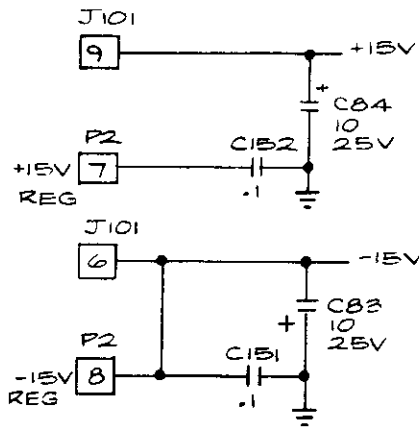
This staple temporarily holds the schematic package together. Remove the staple before using these schematics.



IC CHART

TYPE	VOLTAGE PIN NO			UNUSED GATES
	3V	5V	10V	
74LS00	7	14		
74LS02	7	14		
74LS02	7	14		
74LS04	7	14		
7407	7	14		
74LS08	7	14		
74S08	7	14		
74LS14	7	14		
74LS20	7	14		
74LS30	7	14		
74LS32	7	14		
74LS74	7	14		
74S74	7	14		
74LS86	7	14		
74LS125	7	14		
74LS138	8	16		
74LS139	8	16		
74LS148	8	16		
74LS151	8	16		
74S151	8	16		
74LS153	8	16		
74S163	8	16		
74LS163A	8	16		
74LS174	8	16		
74S174	8	16		
74S175	8	16		
74S189	8	16		
74LS191	8	16		
74LS194	8	16		
74LS197	7	14		
74S240	10	20		
74LS244	10	20		
74LS245	10	20		
74S257	8	16		
74LS259	8	16		
74S260	7	14		
74LS273	10	20		
74S273	10	20		
74LS283	8	16		
74LS367A	8	16		
74LS368A	8	16		
74LS373	10	20		
74LS374	10	20		
74S374	10	20		
74LS378	8	16		
LM324	11	6	4	
2149-3	9	18		
2149-2	9	18		
YM3012				
82S129	8	16		
82S153				
IMS1420	10	20		
6502A	1	21		
68010				
2764				
6116	12	24		
2312B				
LETA				
ADC0809				
2804				
QUAD PKEY				
Y2151				

VE



NOTICE TO ALL PERSONS RECEIVING THIS DRAWING

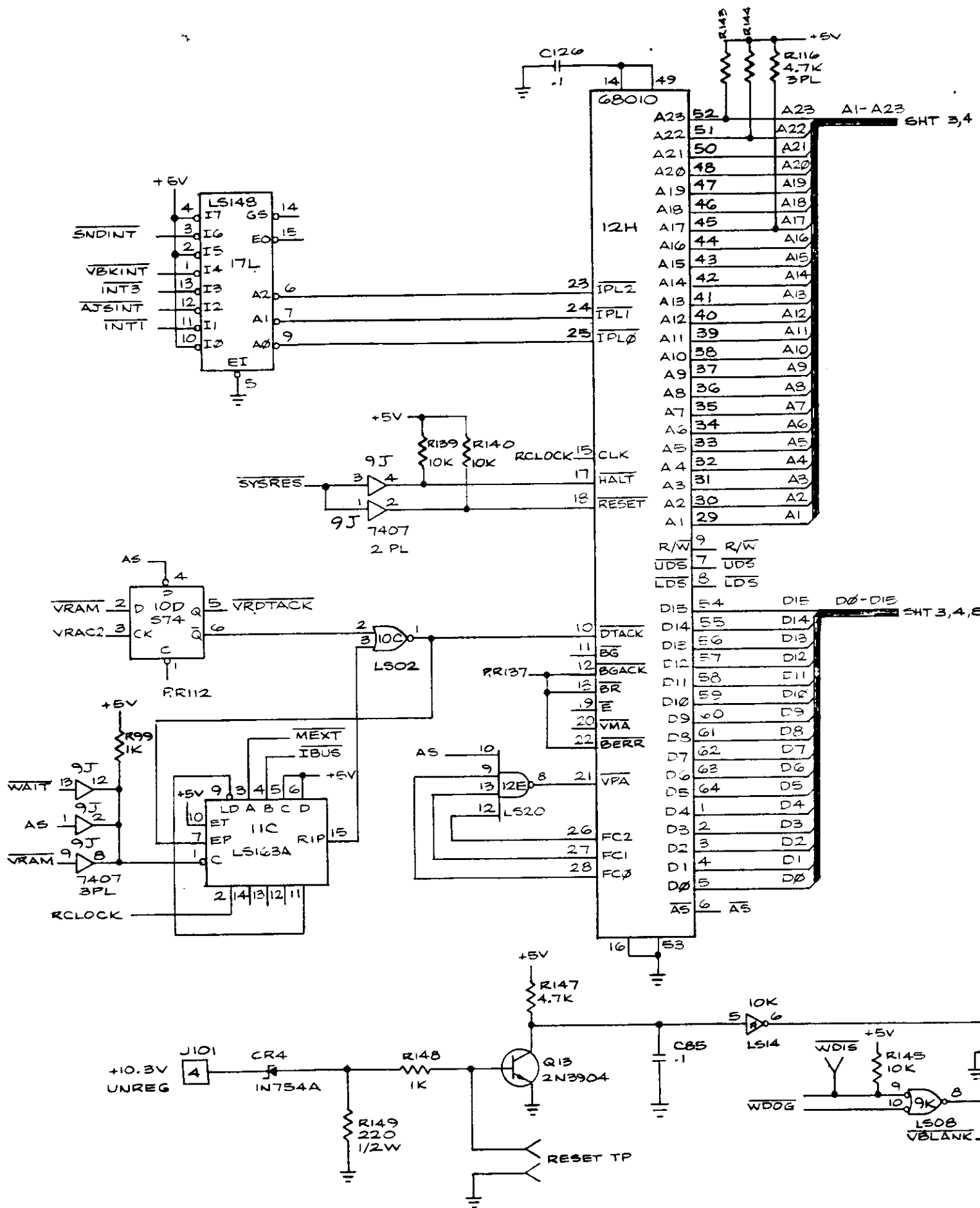
CONFIDENTIAL. Reproduction forbidden without the specific written permission of Atari Games Corporation, Milpitas, CA. This drawing is only conditionally issued, and neither receipt nor possession thereof confers or transfers any right in, or license to use, the subject matter of the drawing or any design or technical information shown thereon, nor any right to reproduce this drawing or any part thereof. Except for manufacture by vendors of Atari Games Corporation, and for manufacture under the corporation's written license, no right is granted to reproduce this drawing or the subject matter thereof, unless by written agreement with or written permission from the corporation.

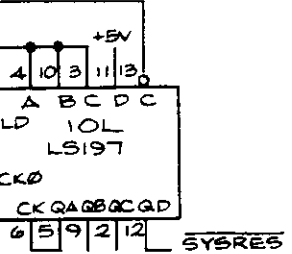
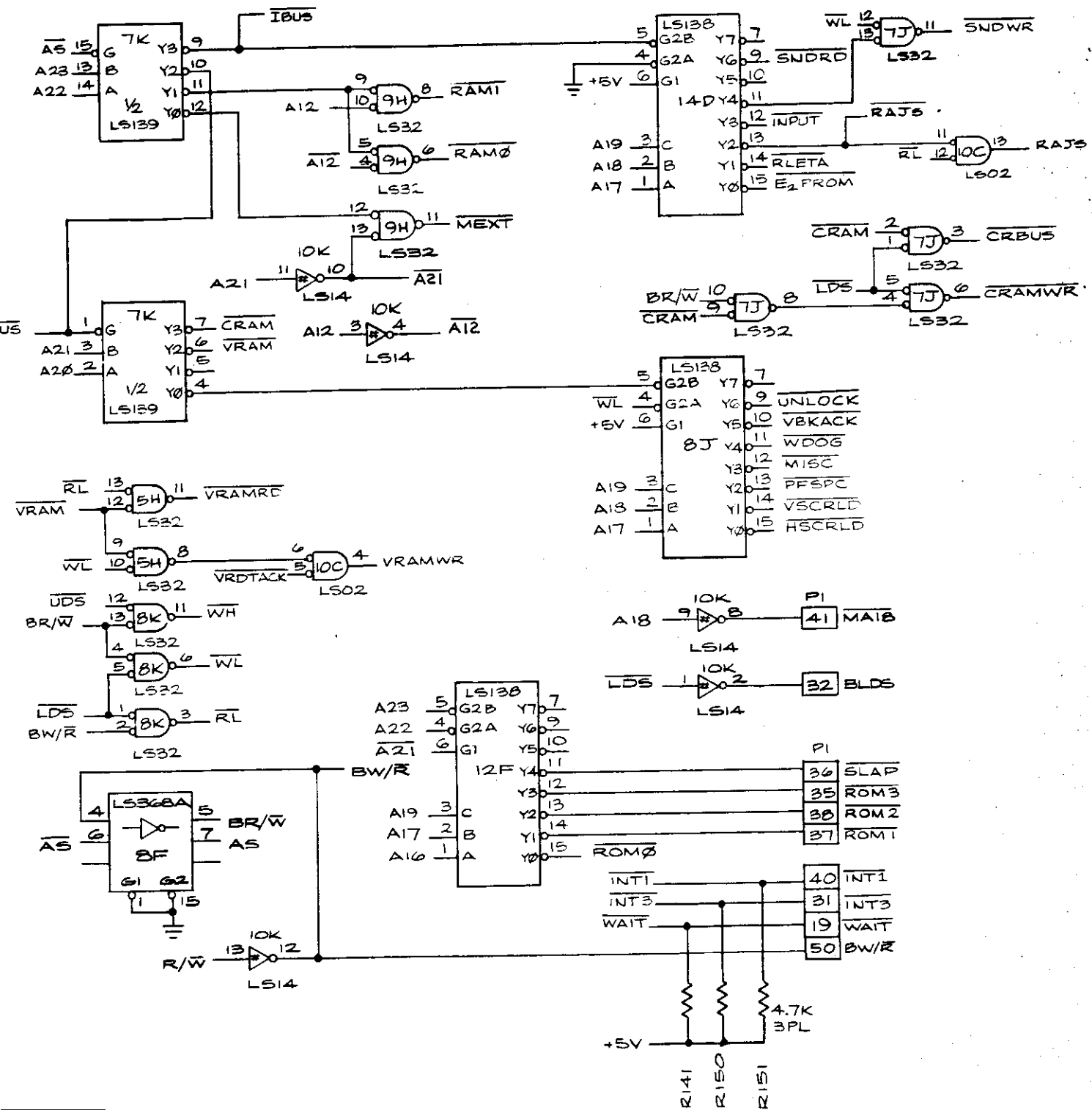


**Road Blasters™ /System I LSI Main
PCB Schematic Diagram**

© 1987 Atari Games Corporation

SP-298 Sheet 1
1st printing

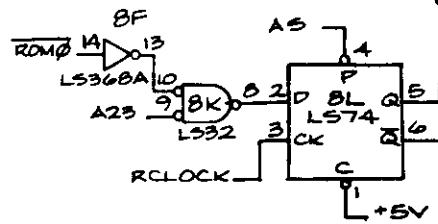
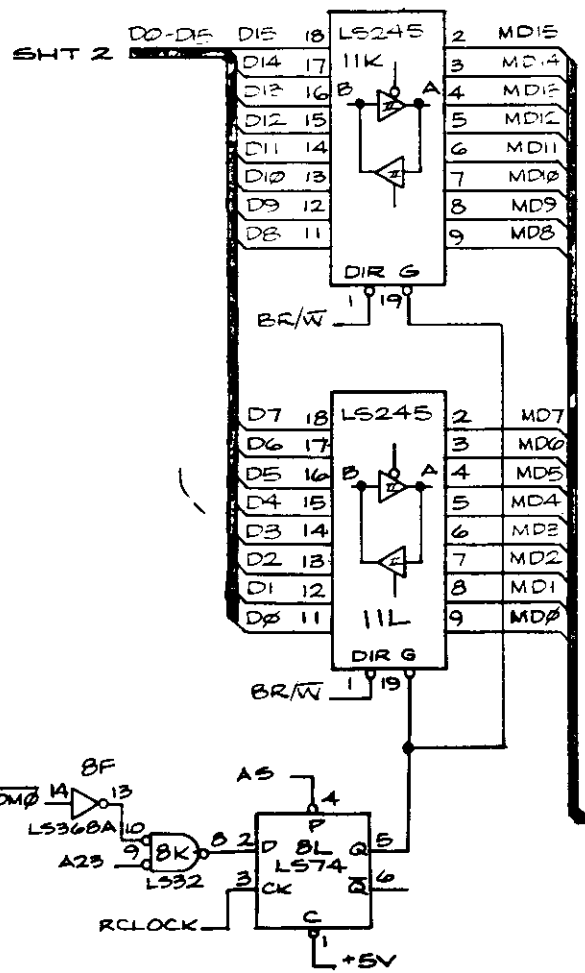
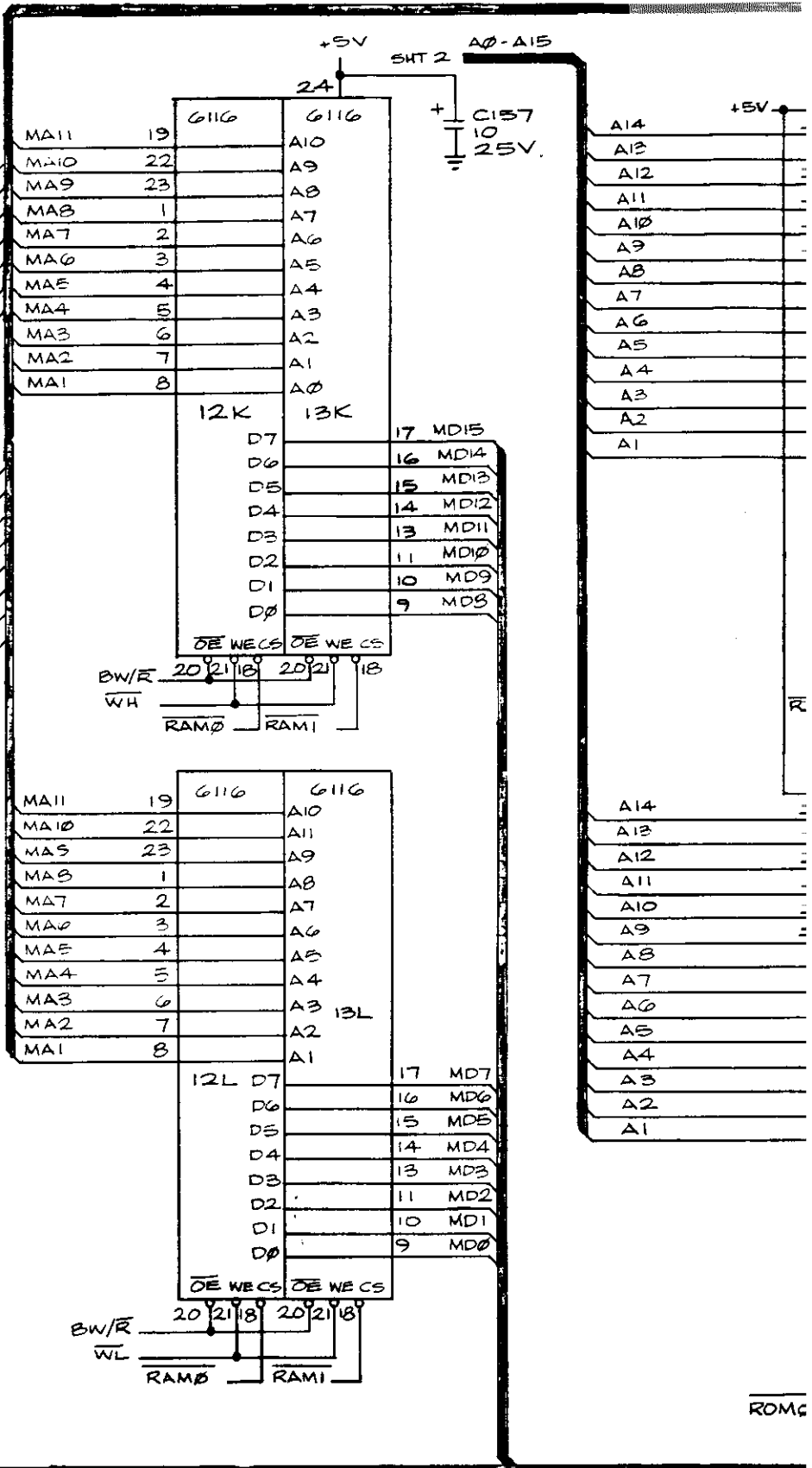
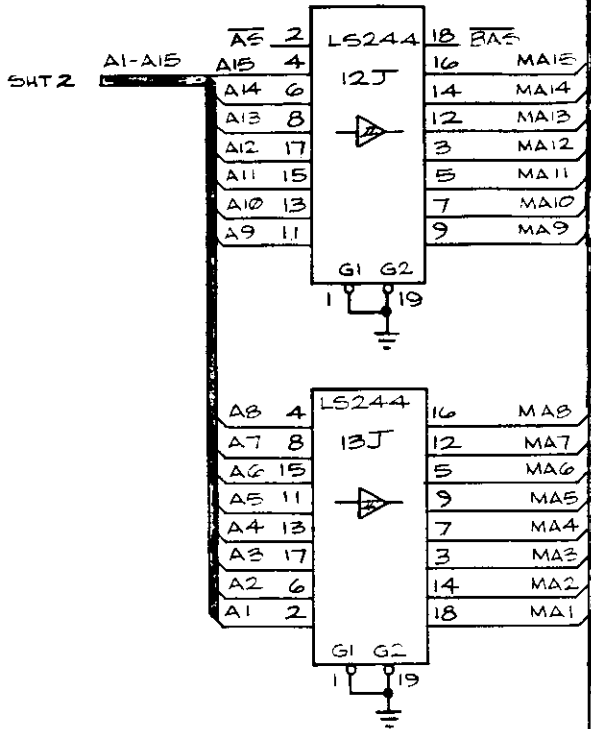


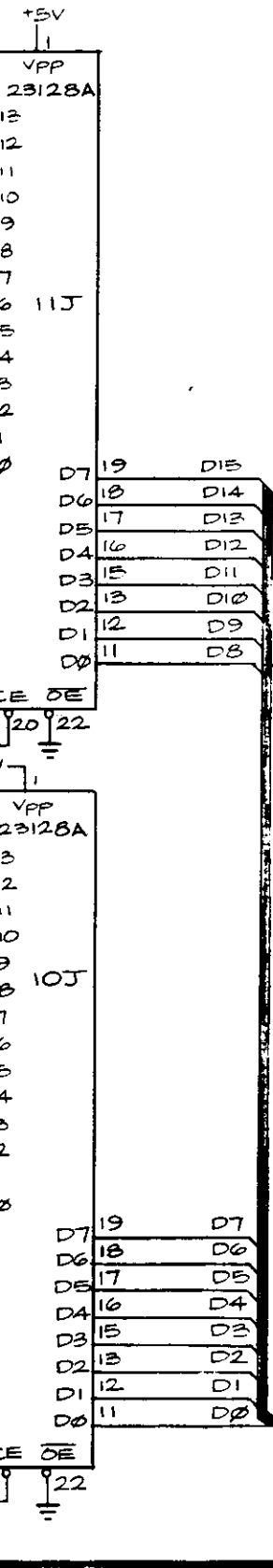


NOTICE TO ALL PERSONS RECEIVING THIS DRAWING
 CONFIDENTIAL: Reproduction forbidden without the specific written permission of Atari Games Corporation, Milpitas, CA. This drawing is only conditionally issued, and neither receipt nor possession thereof confers or transfers any right in, or license to use, the subject matter of the drawing or any design or technical information shown thereon, nor any right to reproduce this drawing or any part thereof. Except for manufacture by vendors of Atari Games Corporation, and for manufacture under the corporation's written license, no right is granted to reproduce this drawing or the subject matter thereof, unless by written agreement with or written permission from the corporation.



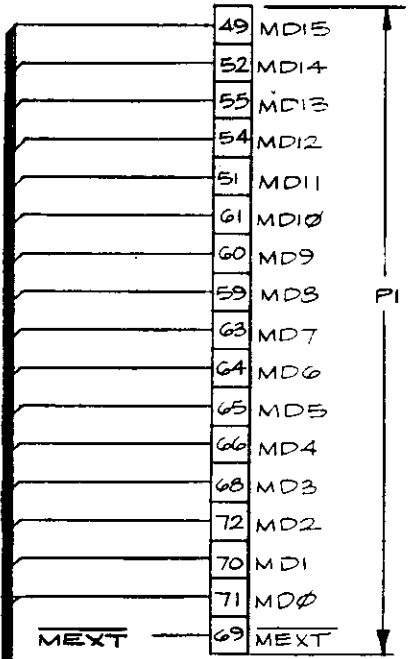
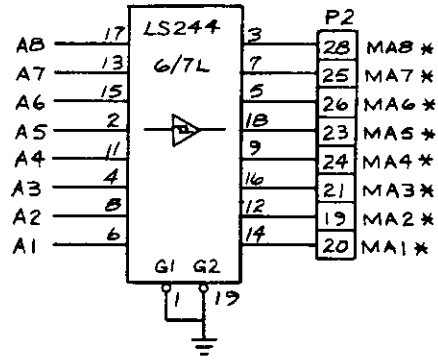
Road Blasters™ /System I LSI Main PCB Schematic Diagram





34	BAS
44	MA15
43	MA14
62	MA13
48	MA12
47	MA11
45	MA10
46	MA9

PI



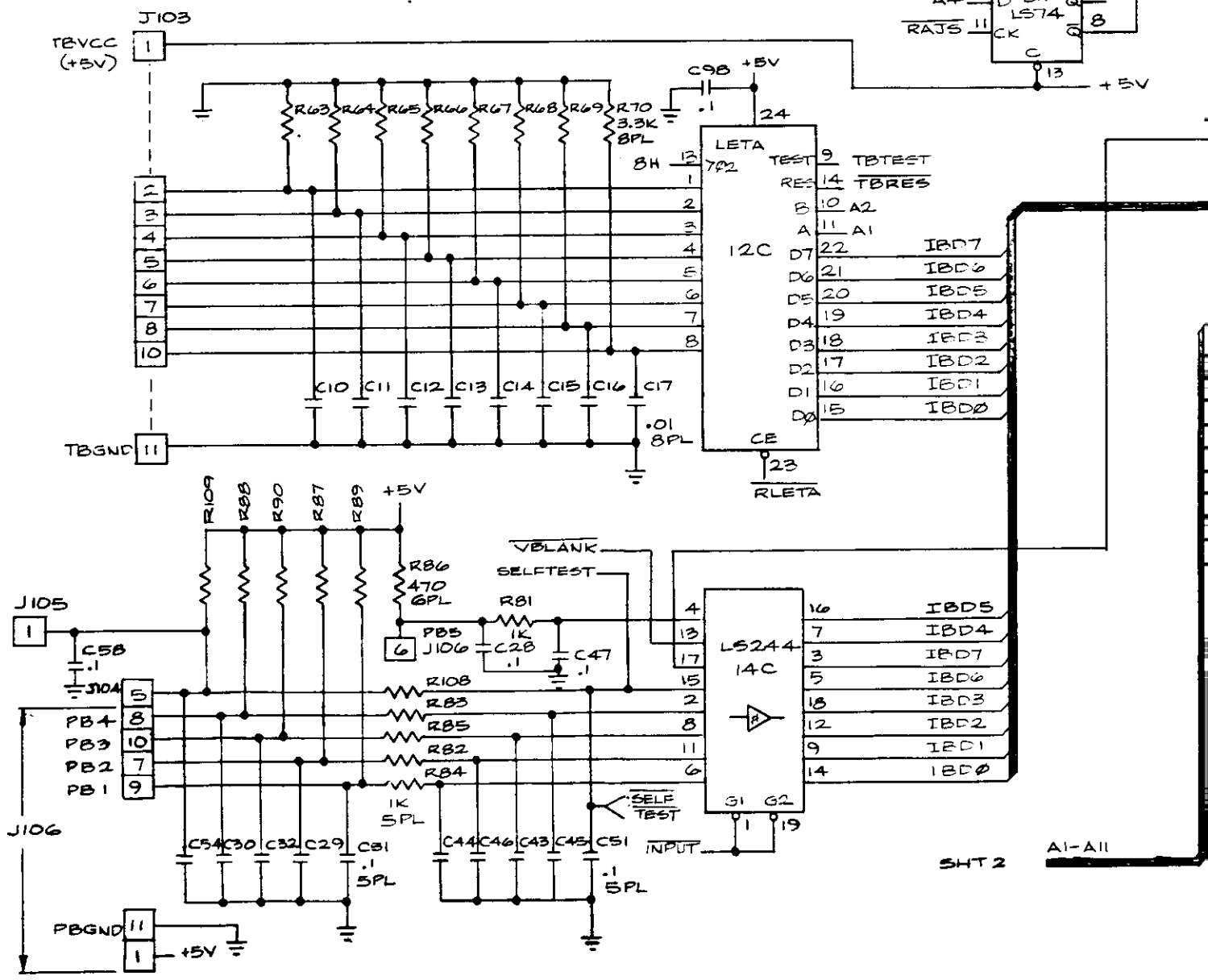
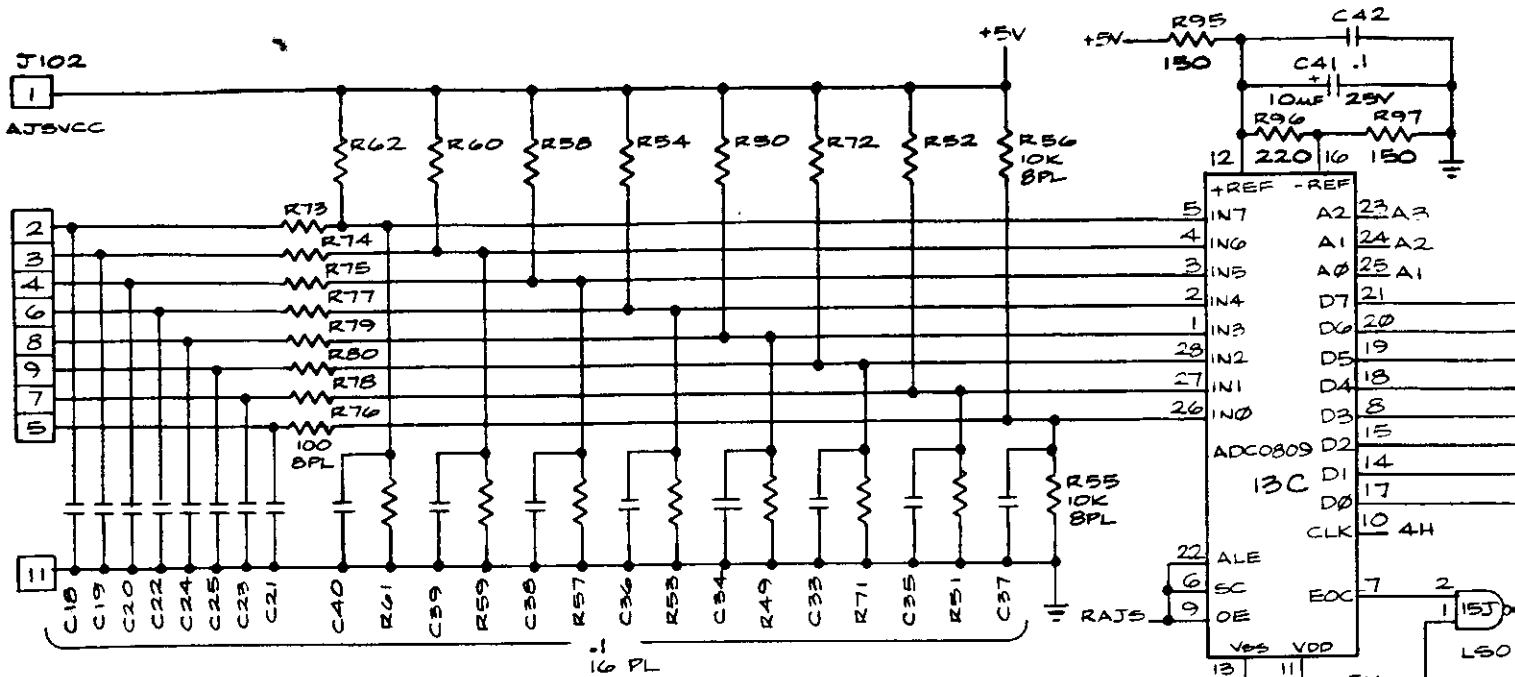
NOTICE TO ALL PERSONS RECEIVING THIS DRAWING
 CONFIDENTIAL: Reproduction forbidden without the specific written permission of Atari Games Corporation, Milpitas, CA. This drawing is only conditionally issued, and neither receipt nor possession thereof confers or transfers any right in, or license to use, the subject matter of the drawing or any design or technical information shown thereon, nor any right to reproduce this drawing or any part thereof. Except for manufacture by vendors of Atari Games Corporation, and for manufacture under the corporation's written license, no right is granted to reproduce this drawing or the subject matter thereof, unless by written agreement with or written permission from the corporation.

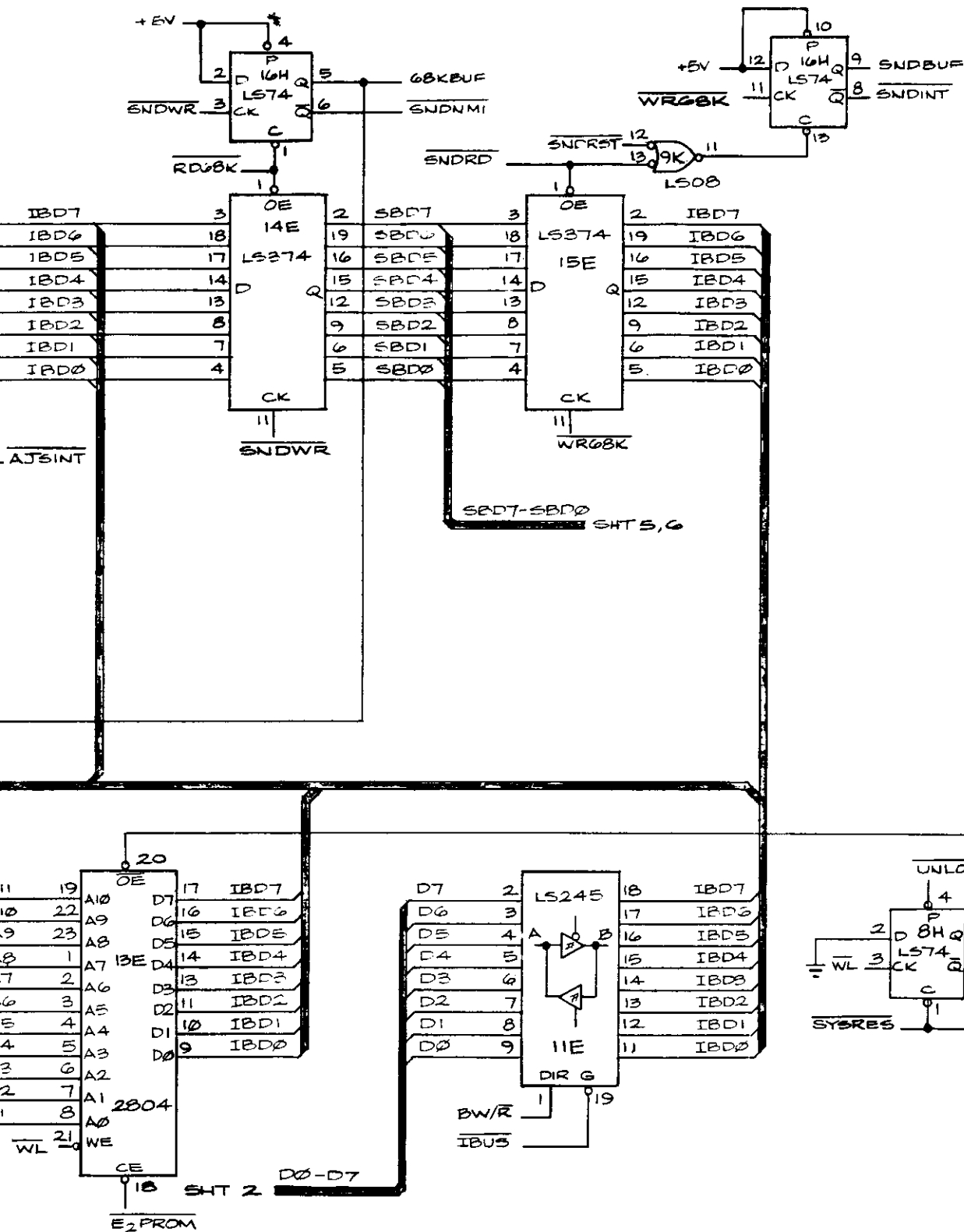


Road Blasters™ /System I LSI Main PCB Schematic Diagram

SP-298 Sheet 3
1st printing

© 1987 Atari Games Corporation





NOTICE TO ALL PERSONS RECEIVING THIS DRAWING

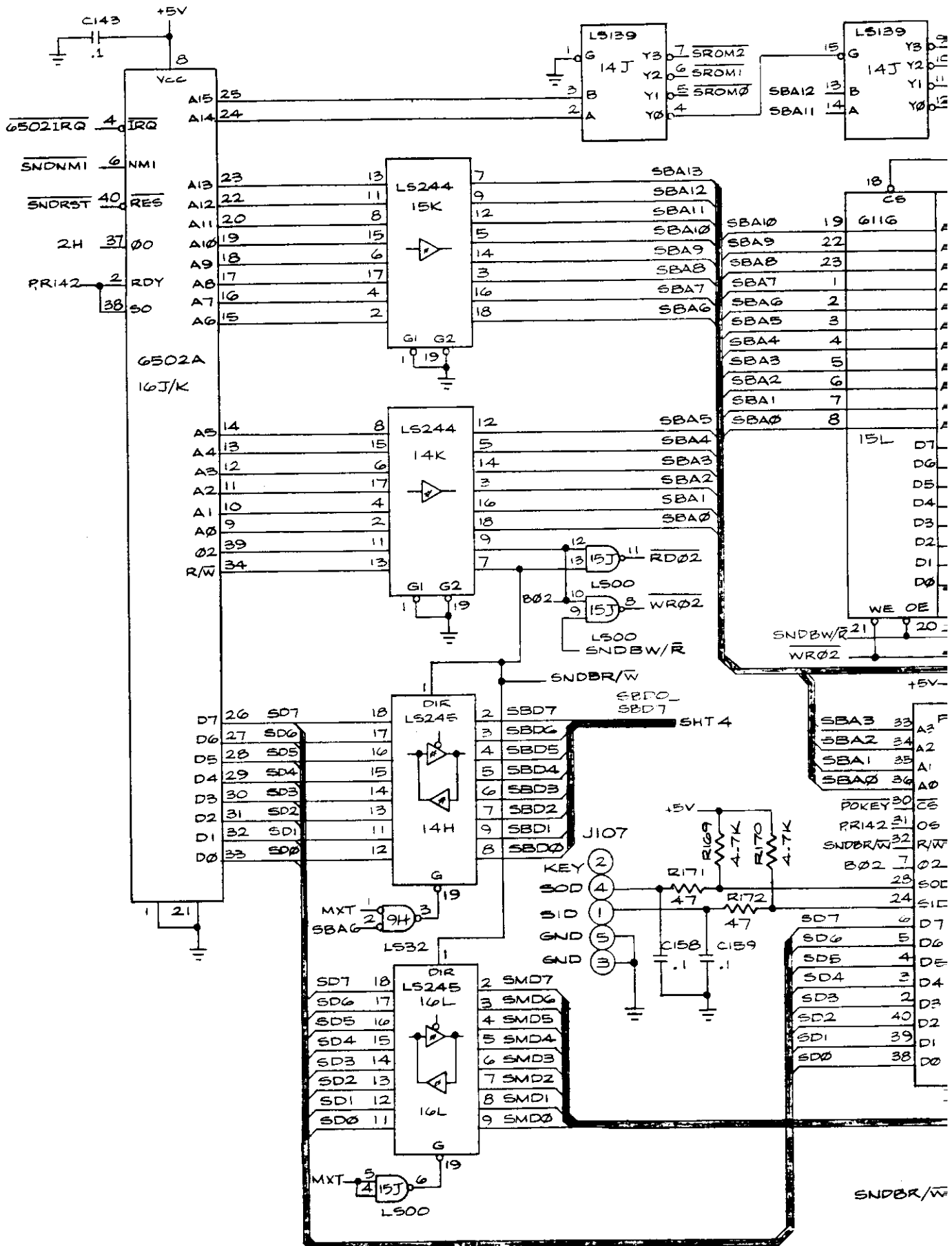
CONFIDENTIAL: Reproduction forbidden without the specific written permission of Atari Games Corporation, Milpitas, CA. This drawing is only conditionally issued, and neither does it confer or transfers any right in, or license to use, the subject matter of the drawing or any design or technical information shown thereon, nor any right to reproduce this drawing or any part thereof. Except for manufacture by vendors of Atari Games Corporation, and for manufacture under the corporation's written license, no right is granted to reproduce this drawing or the subject matter thereof, unless by written agreement with or written permission from the corporation.

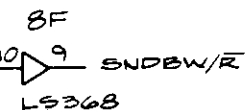
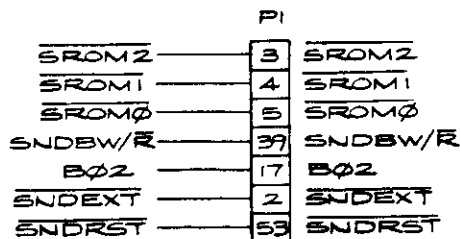
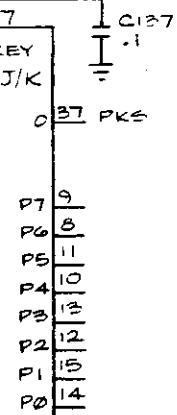
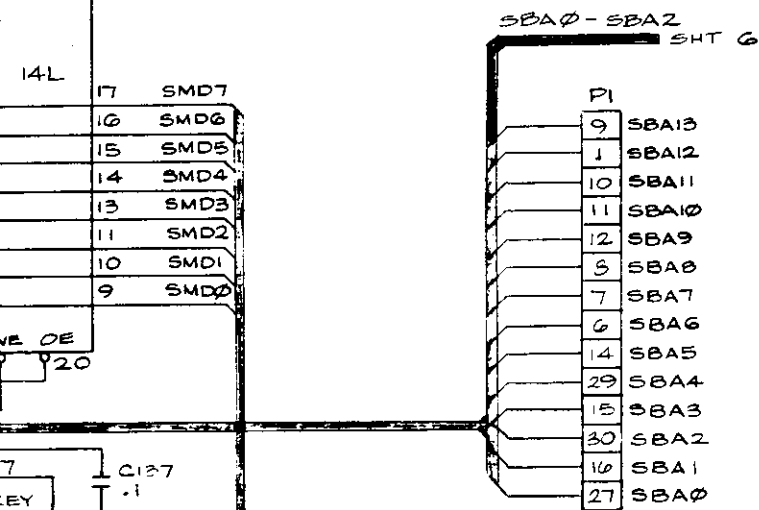
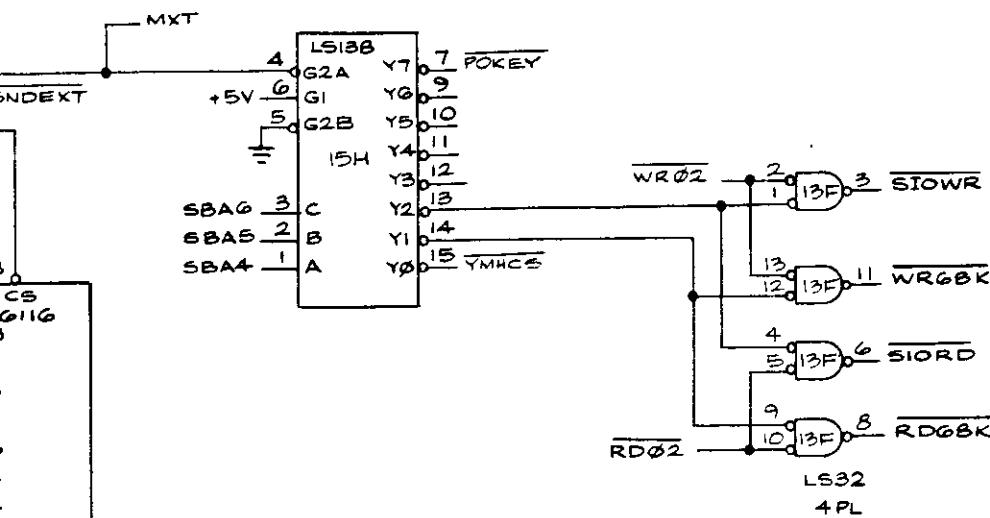


Road Blasters™ /System I LSI Main PCB Schematic Diagram

© 1987 Atari Games Corporation

SP-298 Sheet 4
1st printing





NOTICE TO ALL PERSONS RECEIVING THIS DRAWING

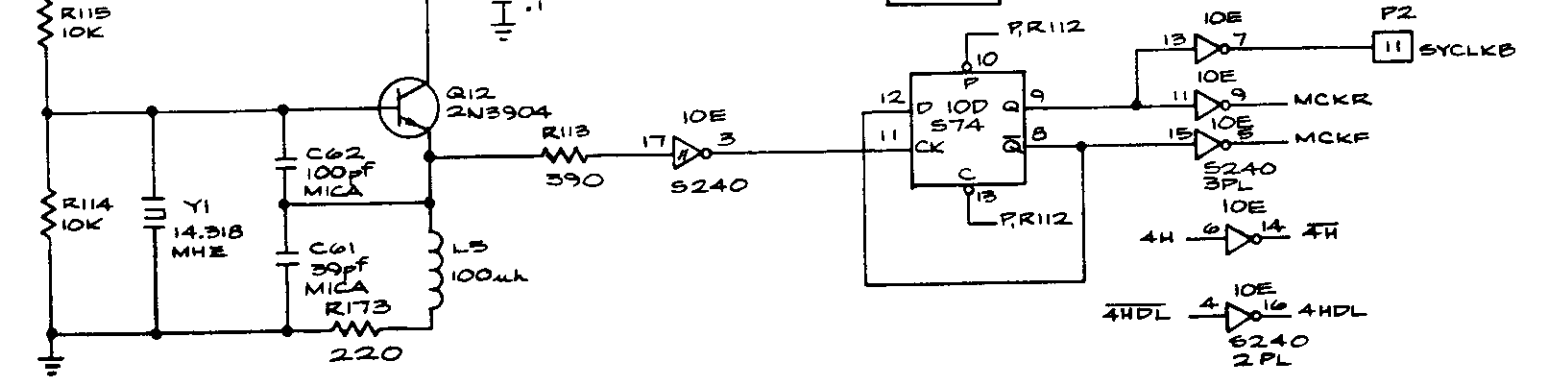
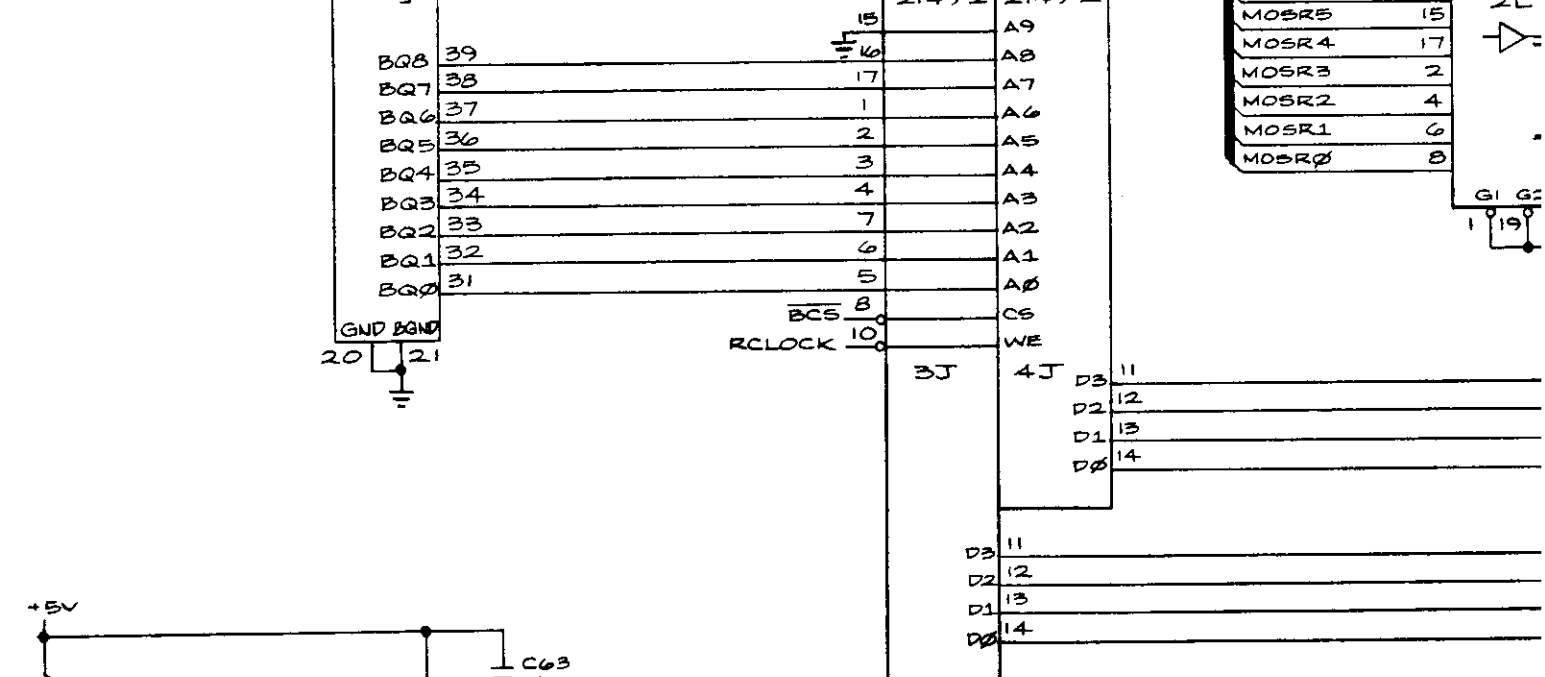
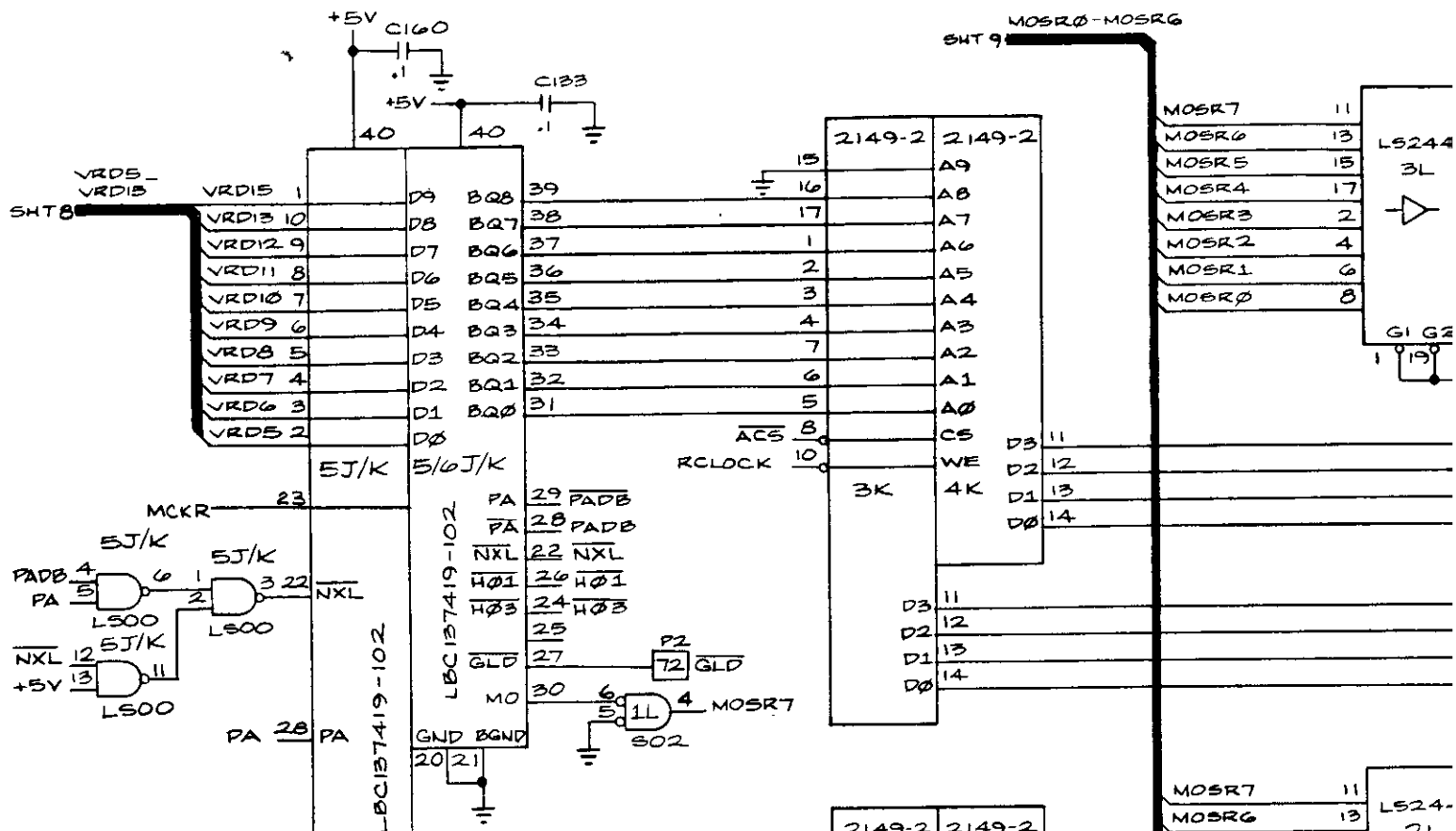
CONFIDENTIAL. Reproduction forbidden without the specific written permission of Atari Games Corporation, Milpitas, CA. This drawing is only conditionally issued, and neither receipt nor possession thereof confers or transfers any right in, or license to use, the subject matter of the drawing or any design or technical information shown thereon, nor any right to reproduce this drawing or any part thereof. Except for manufacture by vendors of Atari Games Corporation, and for manufacture under the corporation's written license, no right is granted to reproduce this drawing or the subject matter thereof, unless by written agreement with or written permission from the corporation.

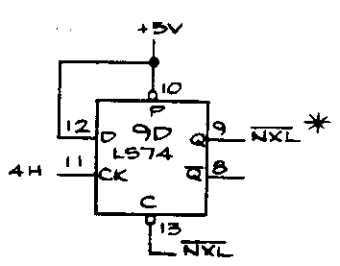
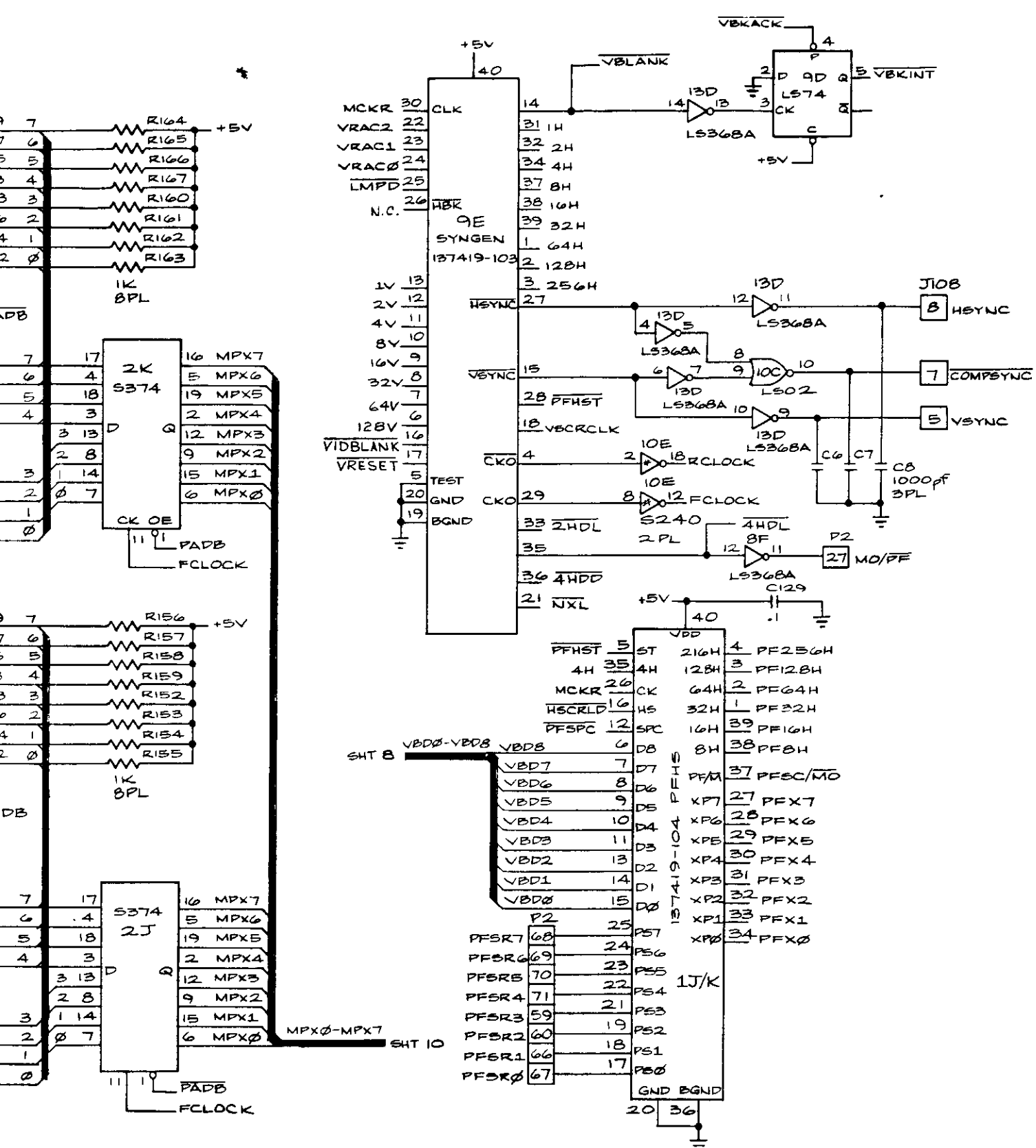


Road Blasters™ /System I LSI Main PCB Schematic Diagram

© 1987 Atari Games Corporation

SP-298 Sheet 5
1st printing





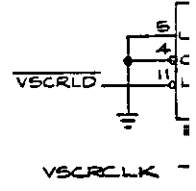
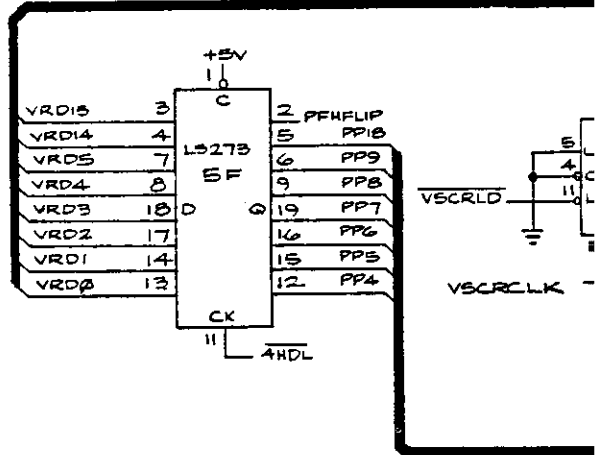
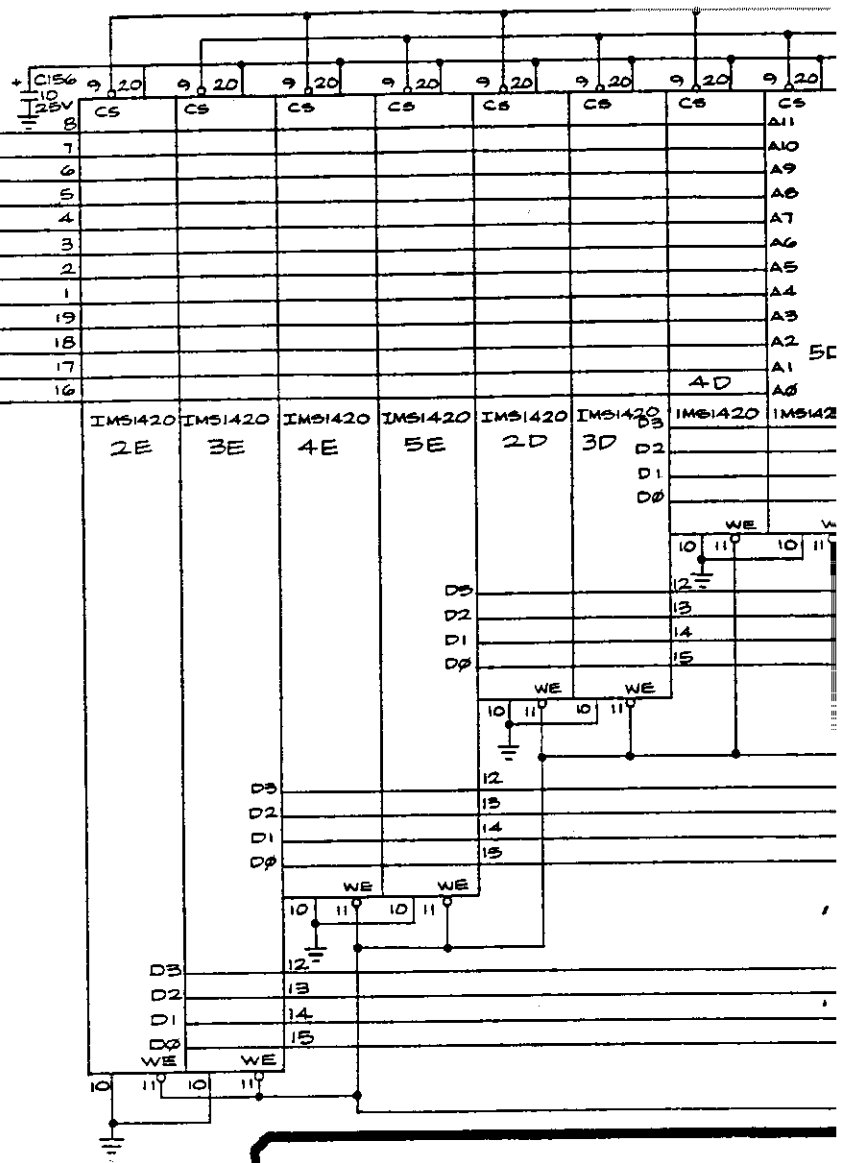
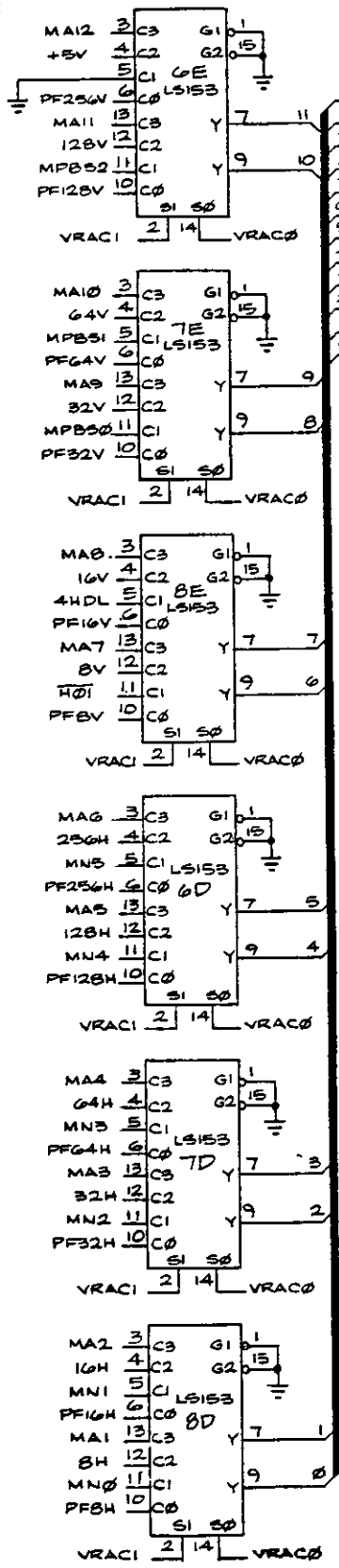
NOTICE TO ALL PERSONS RECEIVING THIS DRAWING
 CONFIDENTIAL: Reproduction forbidden without the specific written permission of Atari Games Corporation, Milpitas, CA. This drawing is only conditionally issued, and neither receipt nor possession thereof confers or transfers any right in, or license to use, the subject matter of the drawing or any design or technical information shown thereon, nor any right to reproduce this drawing or any part thereof. Except for manufacture by vendors of Atari Games Corporation, and for manufacture under the corporation's written license, no right is granted to reproduce this drawing or the subject matter thereof, unless by written agreement with or written permission from the corporation.

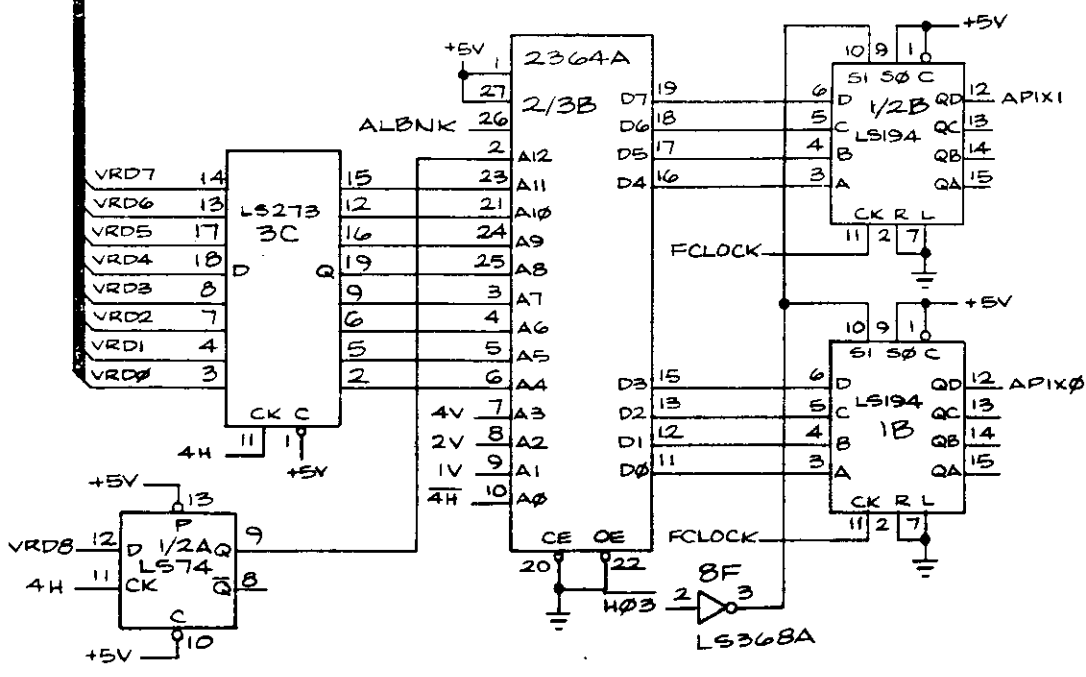
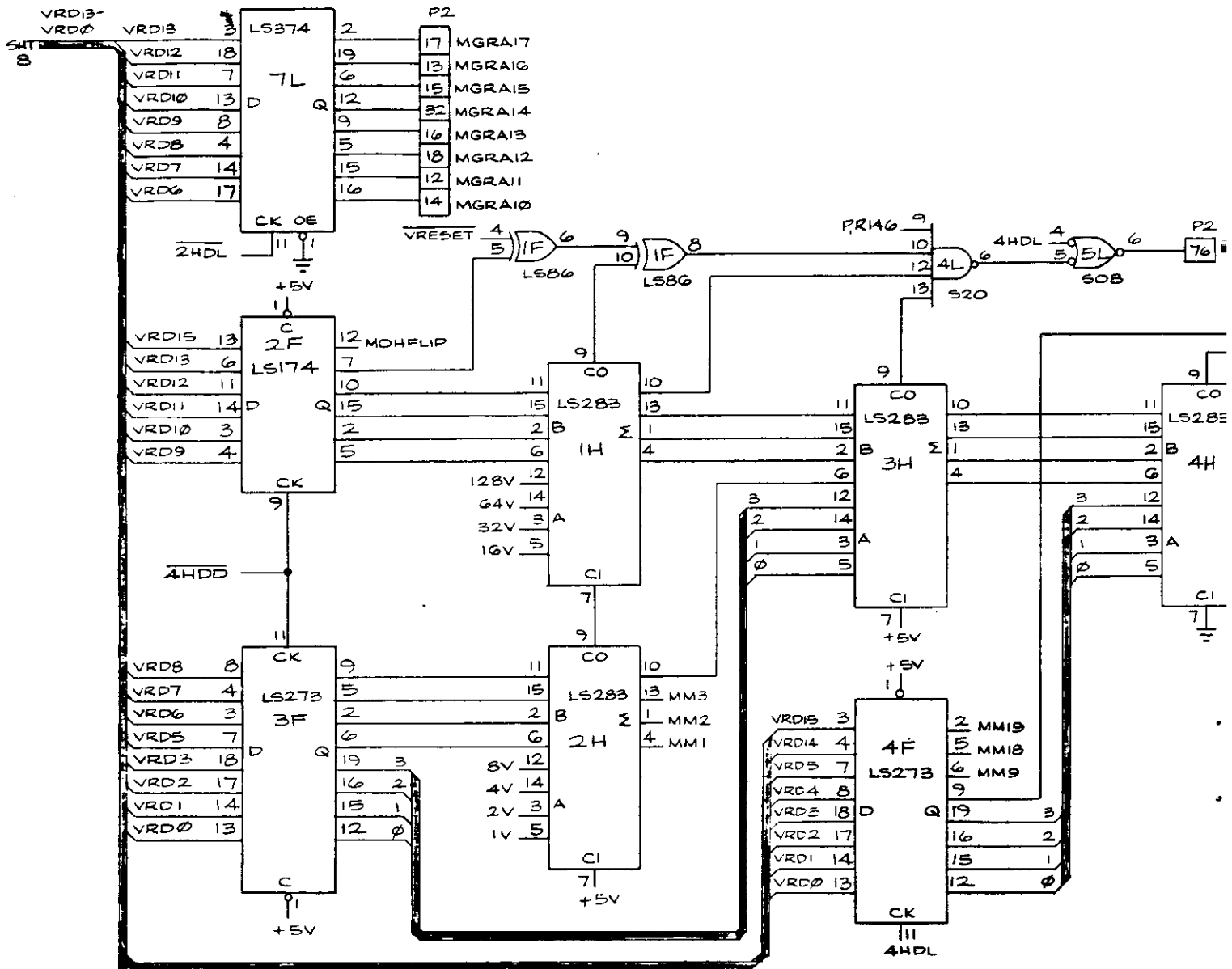


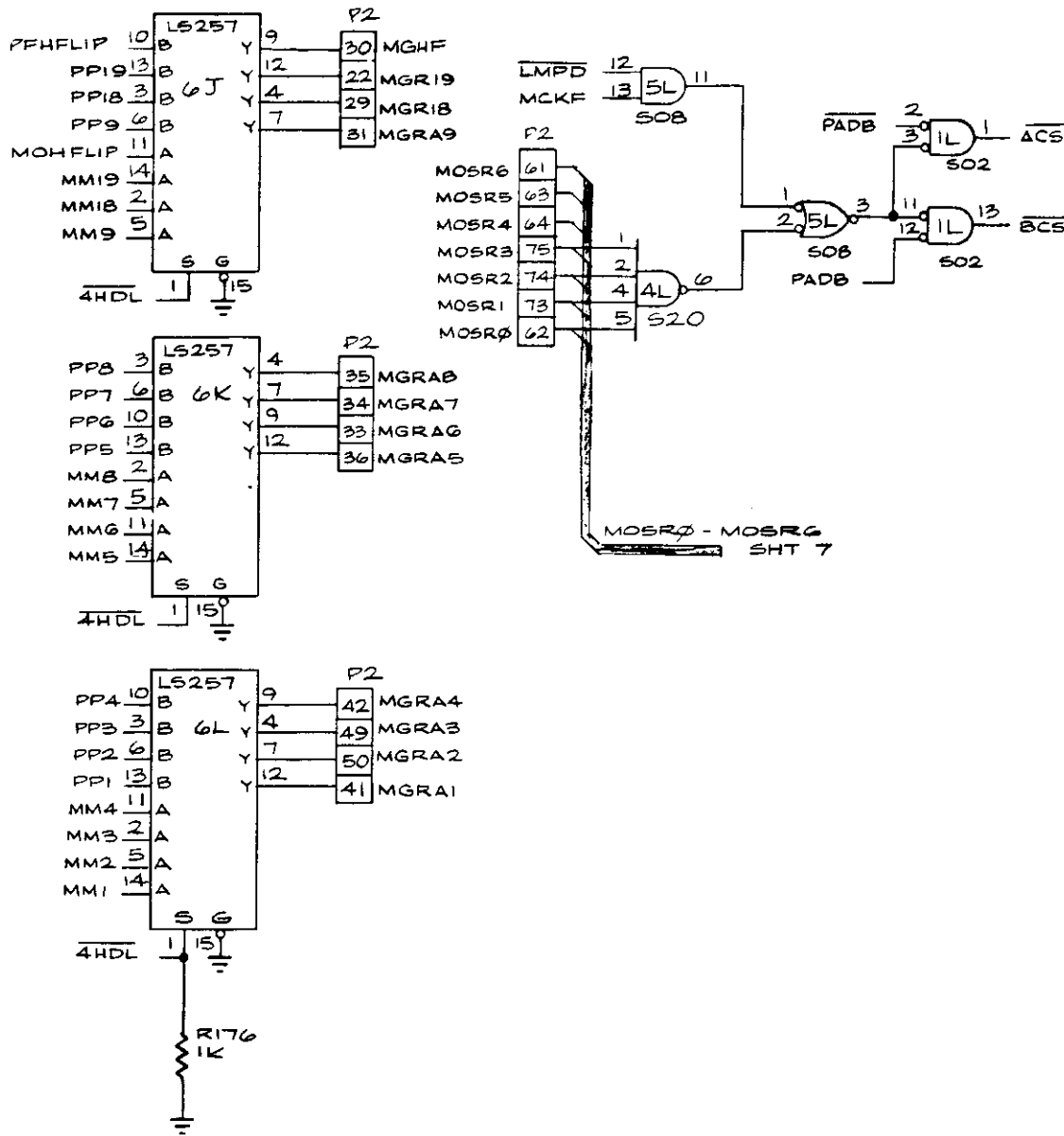
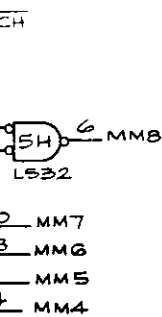
Road Blasters™ /System I LSI Main PCB Schematic Diagram

© 1987 Atari Games Corporation

SP-298 Sheet 7
1st printing







NOTICE TO ALL PERSONS RECEIVING THIS DRAWING

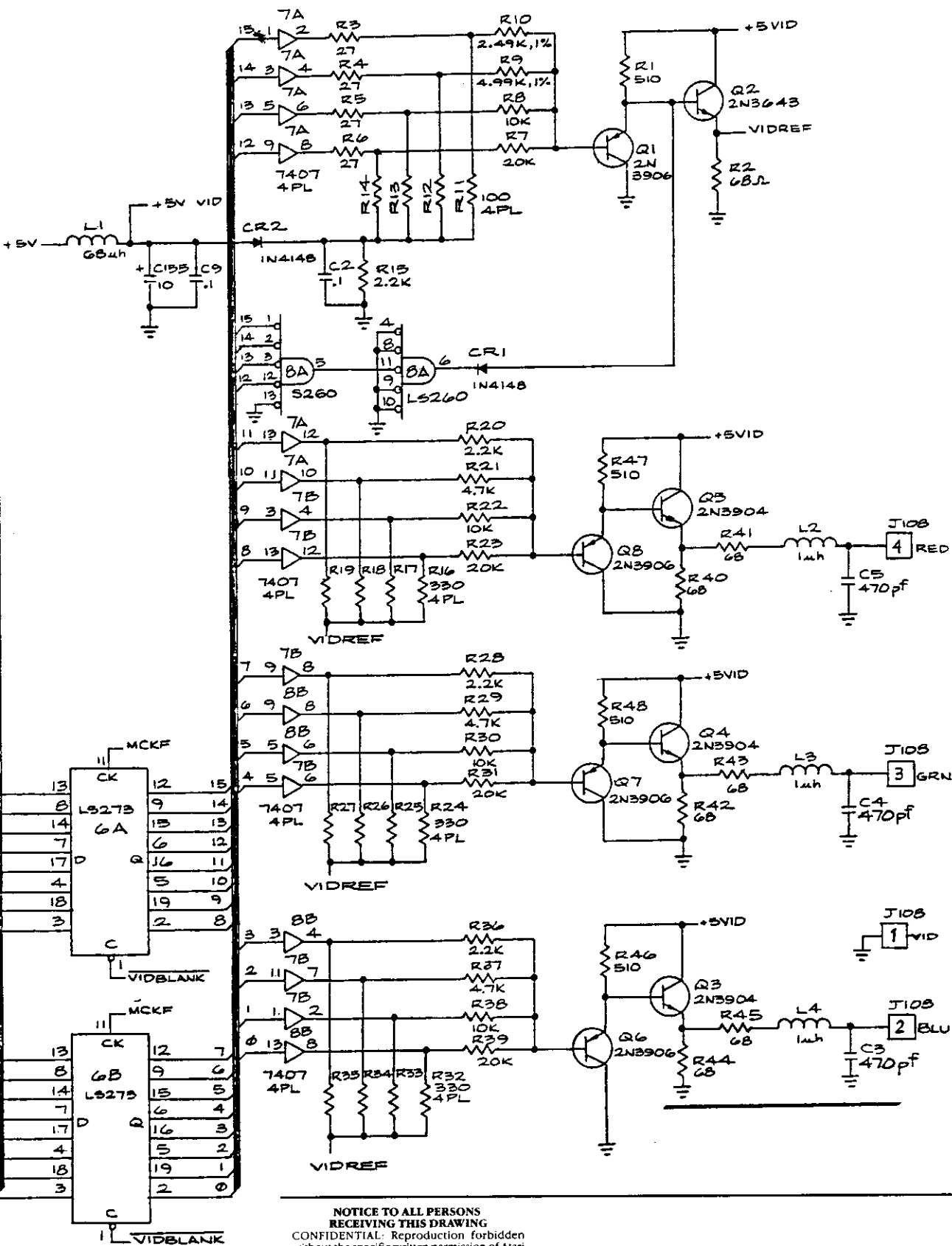
CONFIDENTIAL: Reproduction forbidden without the specific written permission of Atari Games Corporation, Milpitas, CA. This drawing is only conditionally issued, and neither receipt nor possession thereof confers or transfers any right in, or license to use, the subject matter of the drawing or any design or technical information shown thereon, nor any right to reproduce this drawing or any part thereof. Except for manufacture by vendors of Atari Games Corporation, and for manufacture under the corporation's written license, no right is granted to reproduce this drawing or the subject matter thereof, unless by written agreement with or written permission from the corporation.



Road Blasters™ /System I LSI Main PCB Schematic Diagram

© 1987 Atari Games Corporation

SP-298 Sheet 9
1st printing



NOTICE TO ALL PERSONS RECEIVING THIS DRAWING

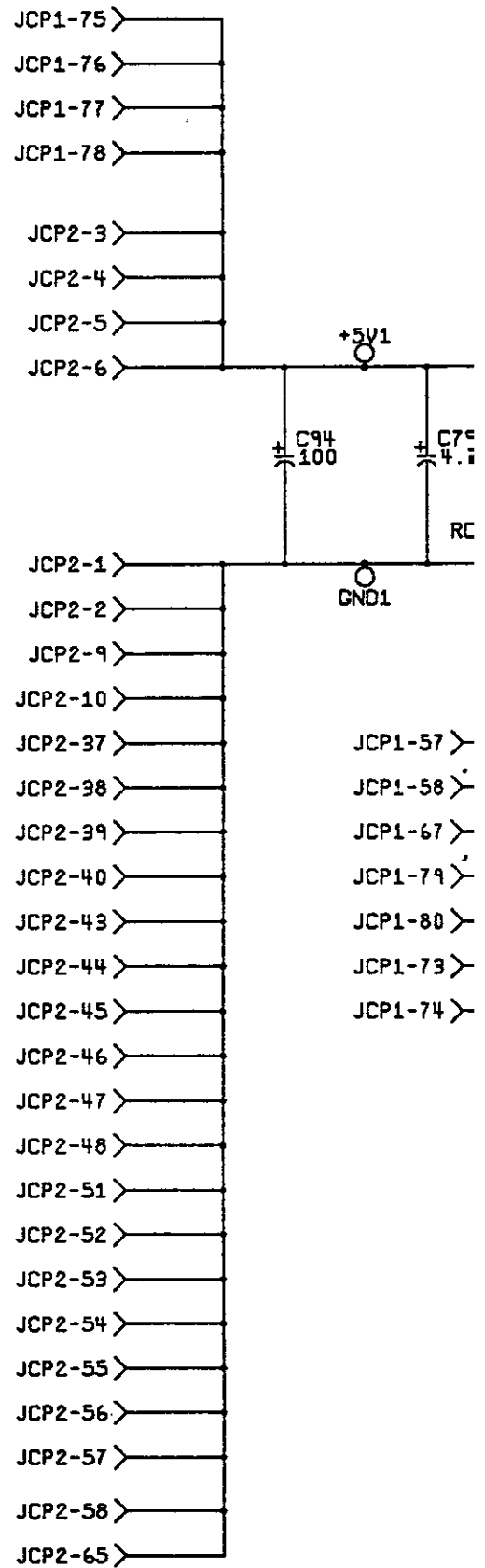
CONFIDENTIAL: Reproduction forbidden without the specific written permission of Atari Games Corporation, Milpitas, CA. This drawing is only conditionally issued, and neither receipt nor possession thereof confers or transfers any right in, or license to use, the subject matter of the drawing or any design or technical information shown thereon, nor any right to reproduce this drawing or any part thereof. Except for manufacture by vendors of Atari Games Corporation, and for manufacture under the corporation's written license, no right is granted to reproduce this drawing or the subject matter thereof, unless by written agreement with or written permission from the corporation.

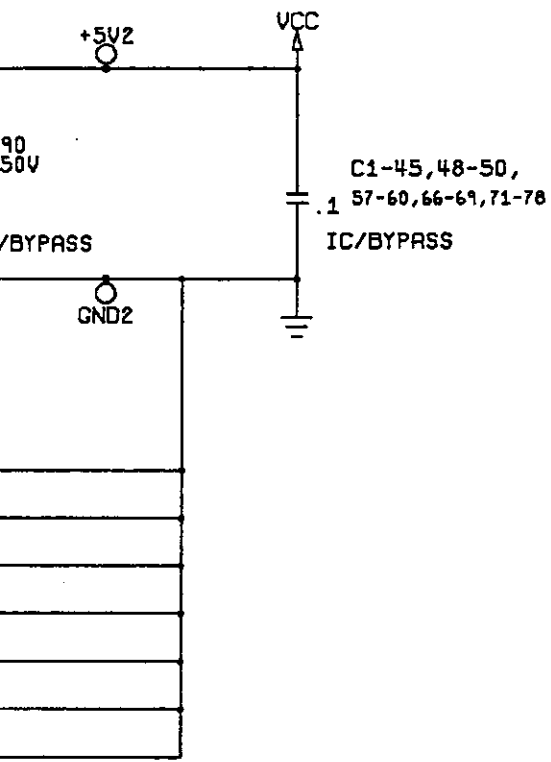
Road Blasters™/System I LSI Main PCB Schematic Diagram



© 1987 Atari Games Corporation

SP-298 Sheet 10
1st printing





**NOTICE TO ALL PERSONS
RECEIVING THIS DRAWING**

CONFIDENTIAL: Reproduction forbidden without the specific written permission of Atari Games Corporation, Milpitas, CA. This drawing is only conditionally issued, and neither receipt nor possession thereof confers or transfers any right in, or license to use, the subject matter of the drawing or any design or technical information shown thereon, nor any right to reproduce this drawing or any part thereof. Except for manufacture by vendors of Atari Games Corporation, and for manufacture under the corporation's written license, no right is granted to reproduce this drawing or the subject matter thereof, unless by written agreement with or written permission from the corporation.



**Road Blasters™ /System I LSI Cartridge 4
PCB Schematic Diagram**

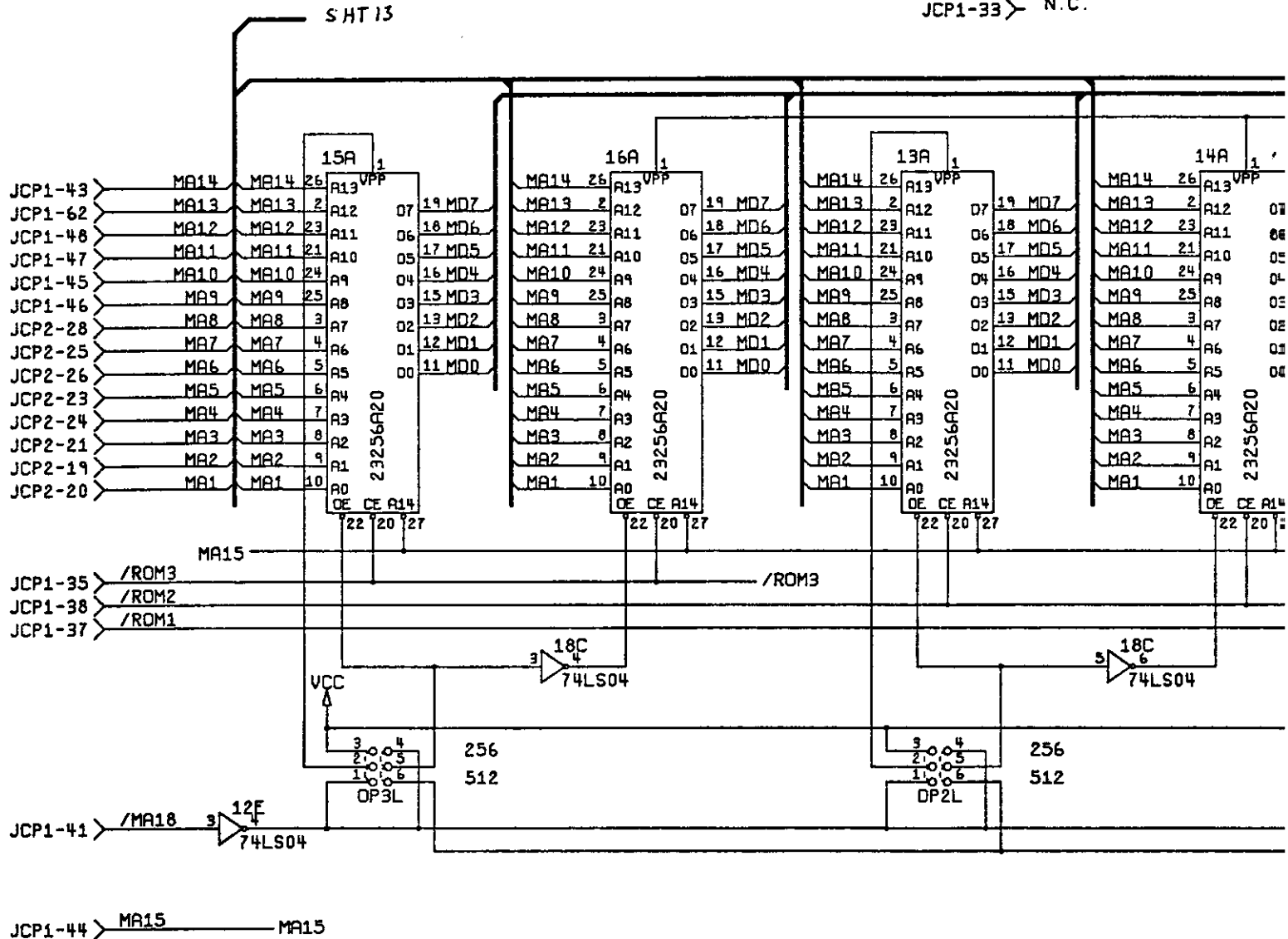
© 1987 Atari Games Corporation

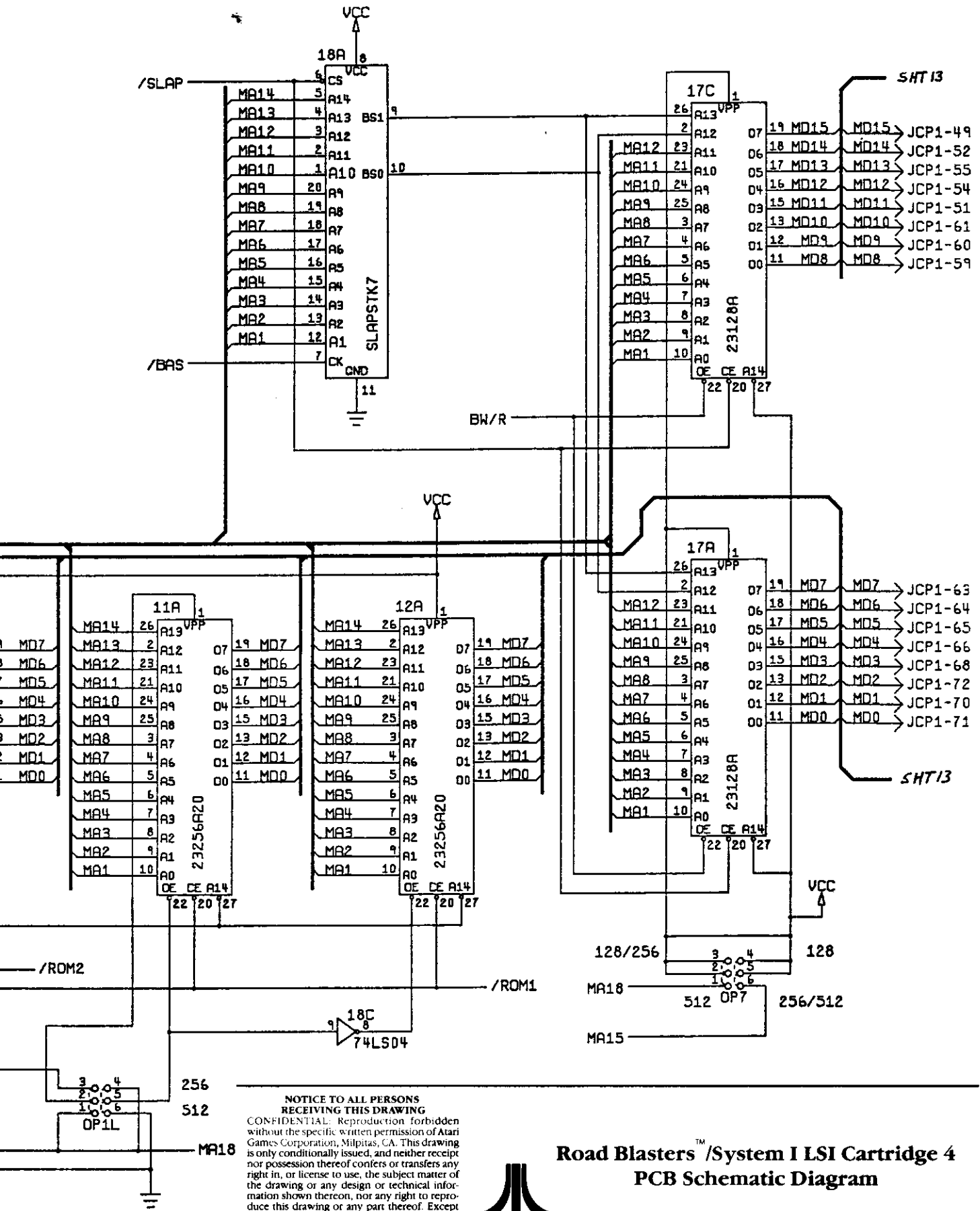
SP-298 Sheet 11
1st printing

JCP1-36 > /SLAP
 JCP1-34 > /BAS
 JCP1-50 > BW/R

JCP1-40 > (N.C.) /INT1
 JCP1-19 > (N.C.) /WAIT
 JCP1-32 > (N.C.) /BLDS

JCP2-80 > N.C.
 JCP2-79 > N.C.
 JCP2-78 > N.C.
 JCP1-42 > N.C.
 JCP1-56 > N.C.
 JCP2-77 > N.C.
 JCP1-33 > N.C.





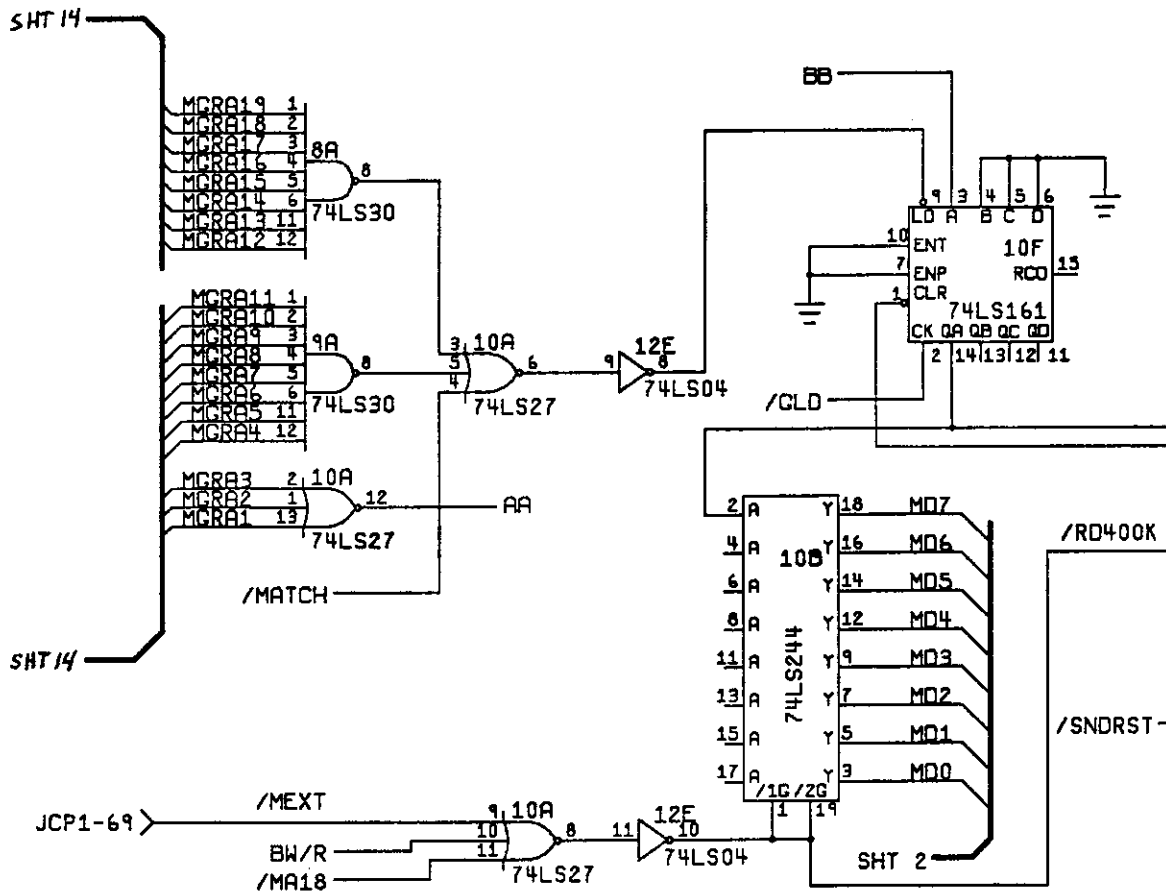
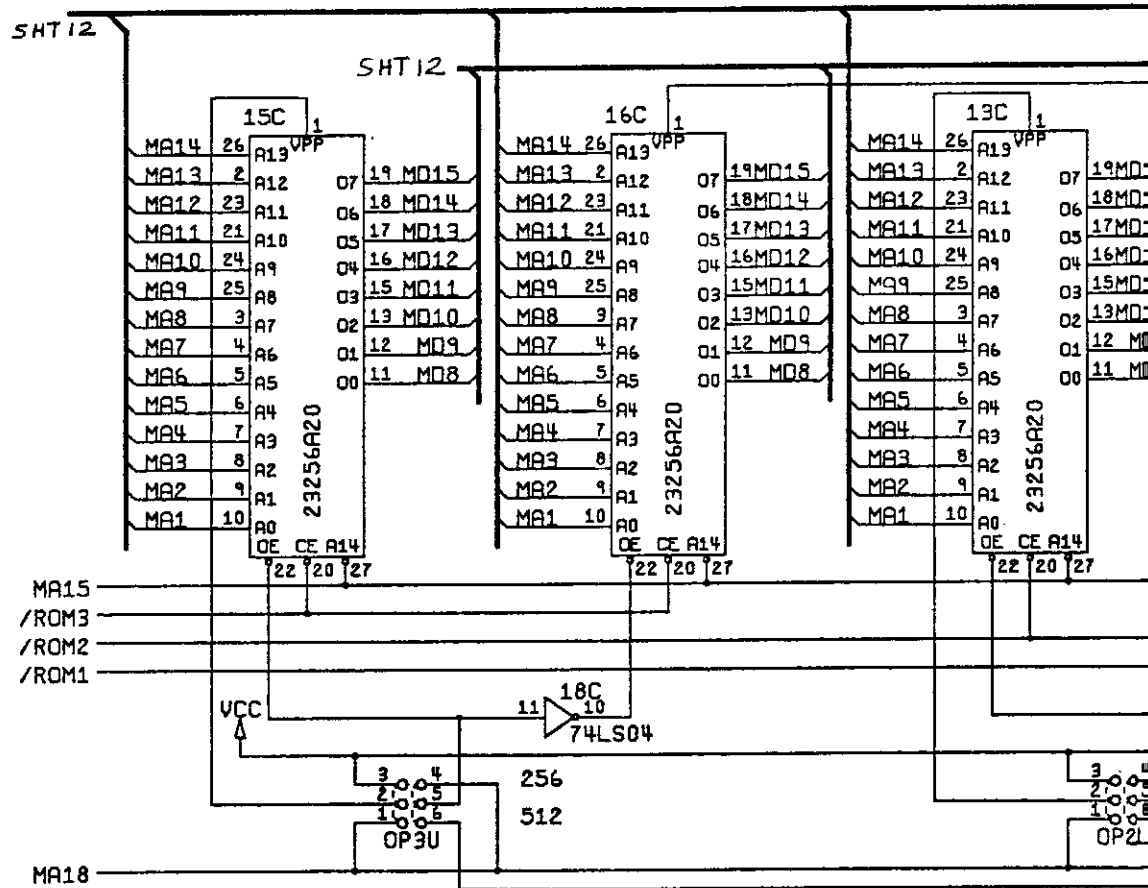
NOTICE TO ALL PERSONS RECEIVING THIS DRAWING
 CONFIDENTIAL: Reproduction forbidden without the specific written permission of Atari Games Corporation, Milpitas, CA. This drawing is only conditionally issued, and neither receipt nor possession thereof confers or transfers any right in, or license to use, the subject matter of the drawing or any design or technical information shown thereon, nor any right to reproduce this drawing or any part thereof. Except for manufacture by vendors of Atari Games Corporation, and for manufacture under the corporation's written license, no right is granted to reproduce this drawing or the subject matter thereof, unless by written agreement with or written permission from the corporation.

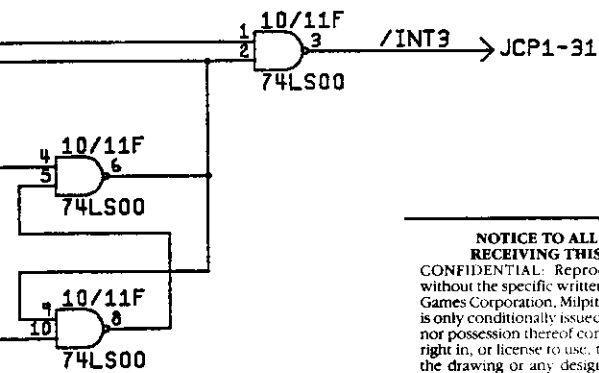
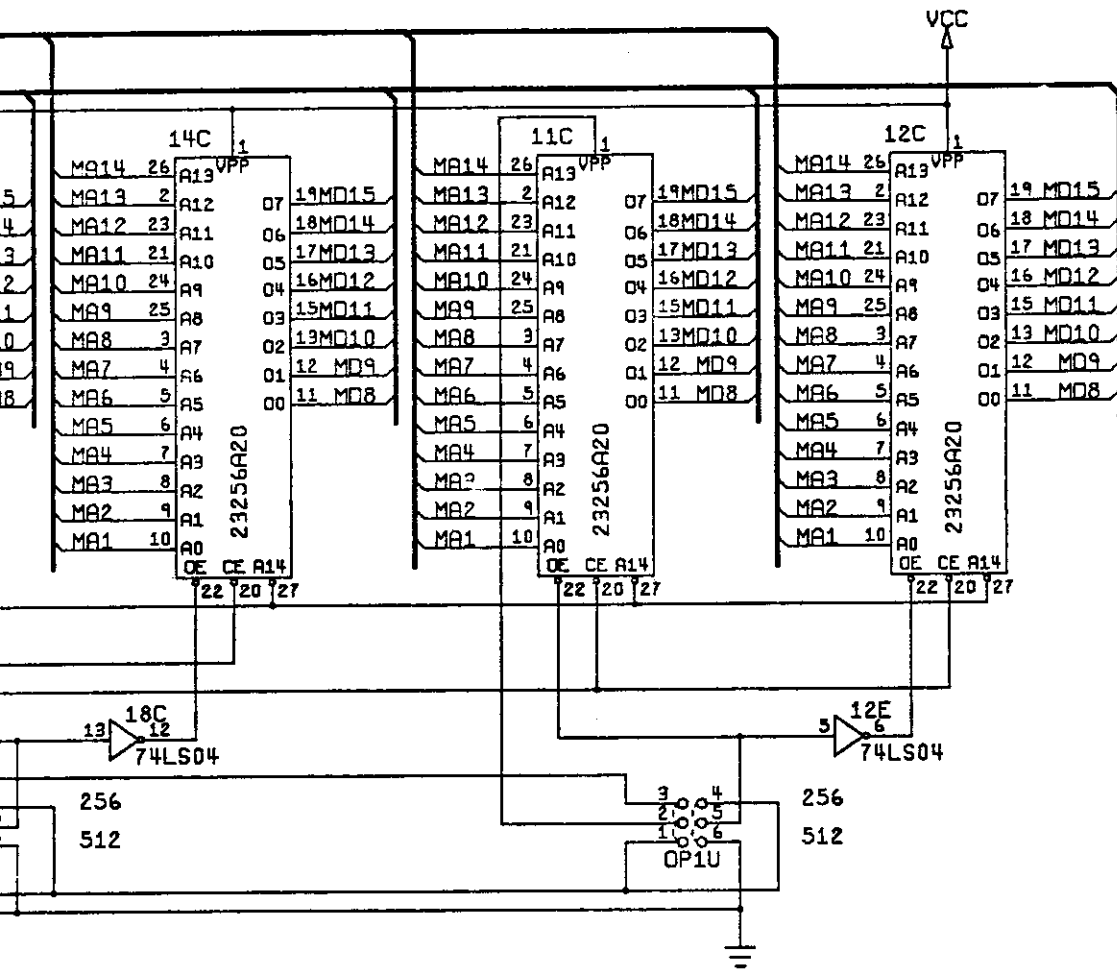


**Road Blasters™ /System I LSI Cartridge 4
 PCB Schematic Diagram**

© 1987 Atari Games Corporation

SP-298 Sheet 12
 1st printing





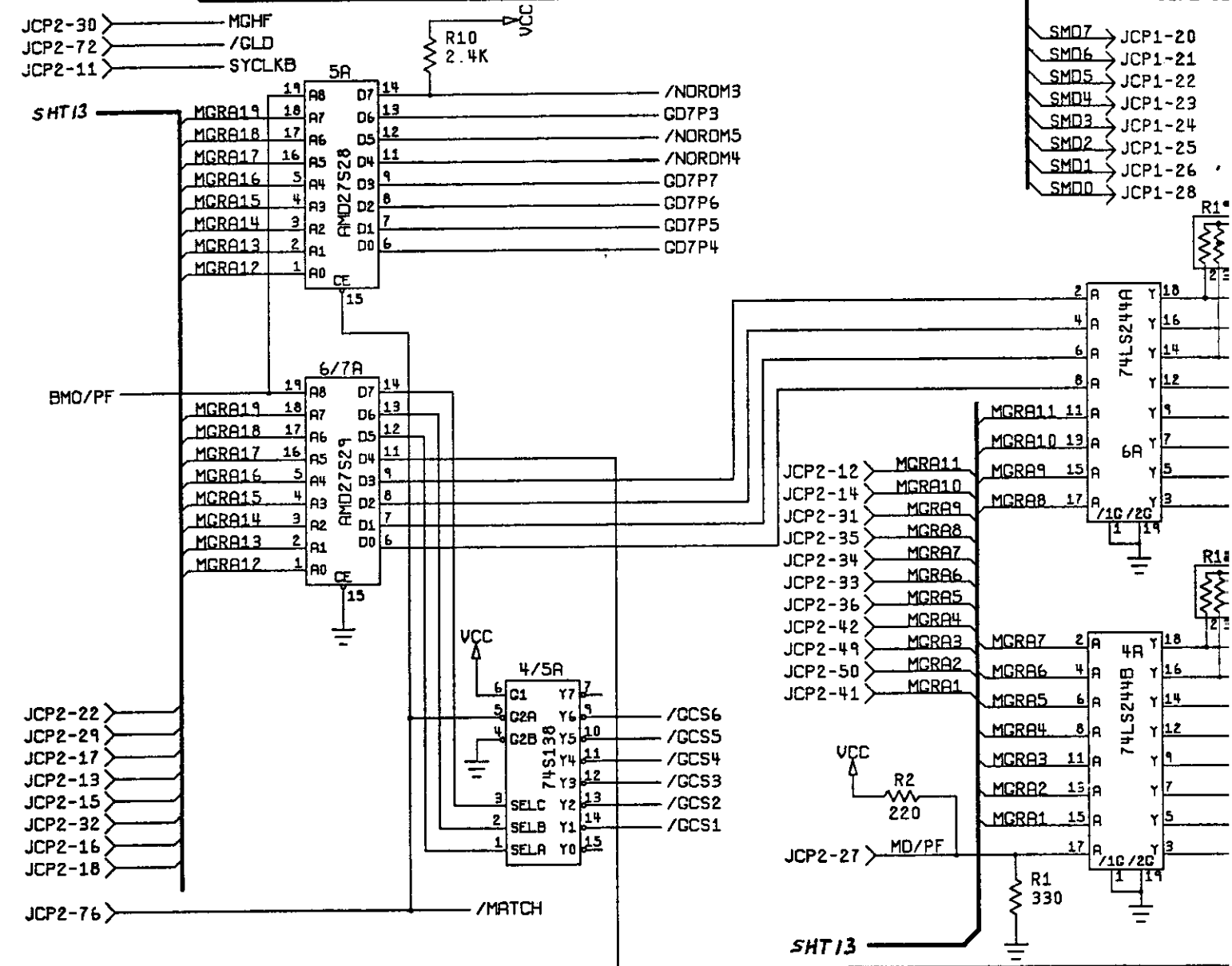
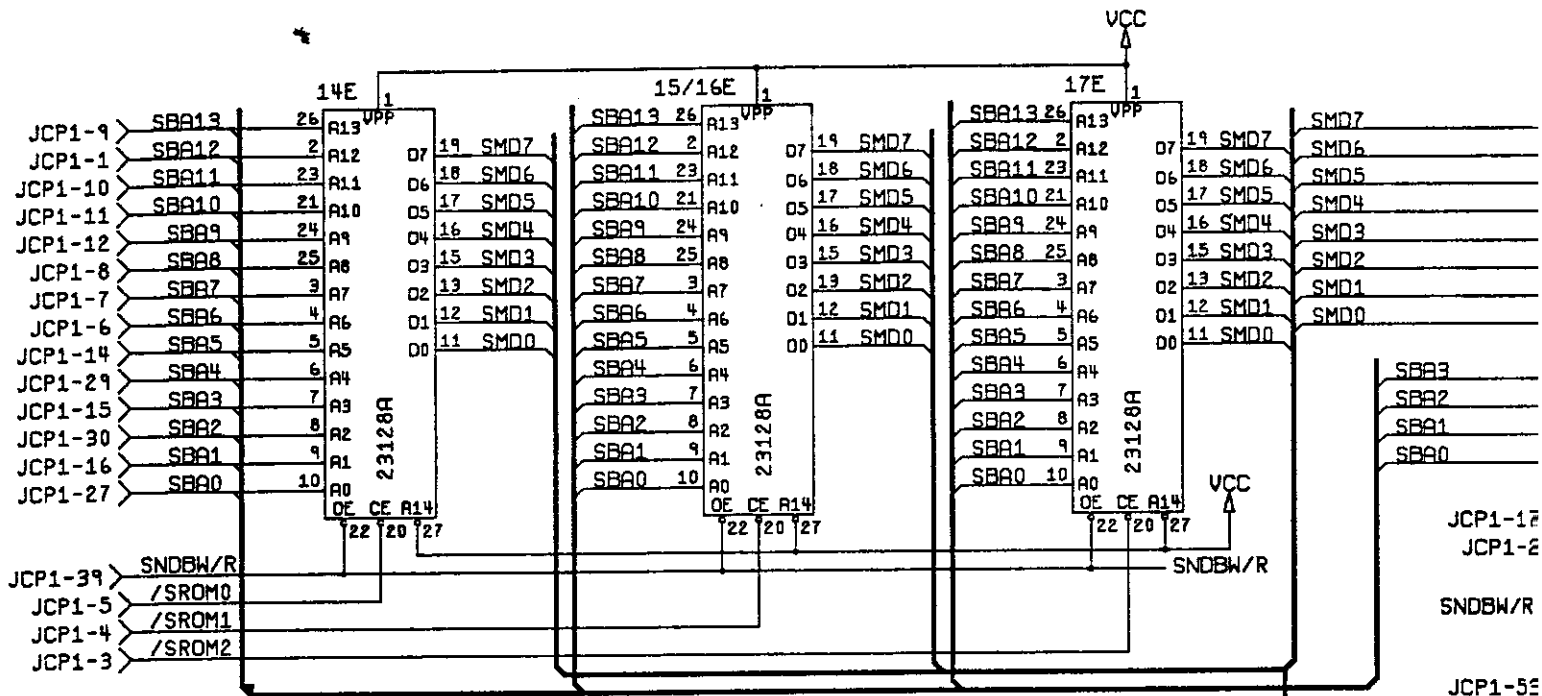
NOTICE TO ALL PERSONS RECEIVING THIS DRAWING
 CONFIDENTIAL: Reproduction forbidden without the specific written permission of Atari Games Corporation, Milpitas, CA. This drawing is only conditionally issued, and neither receipt nor possession thereof confers or transfers any right in, or license to use, the subject matter of the drawing or any design or technical information shown thereon, nor any part thereof. Except for manufacture by vendors of Atari Games Corporation, and for manufacture under the corporation's written license, no right is granted to reproduce this drawing or the subject matter thereof, unless by written agreement with or written permission from the corporation.

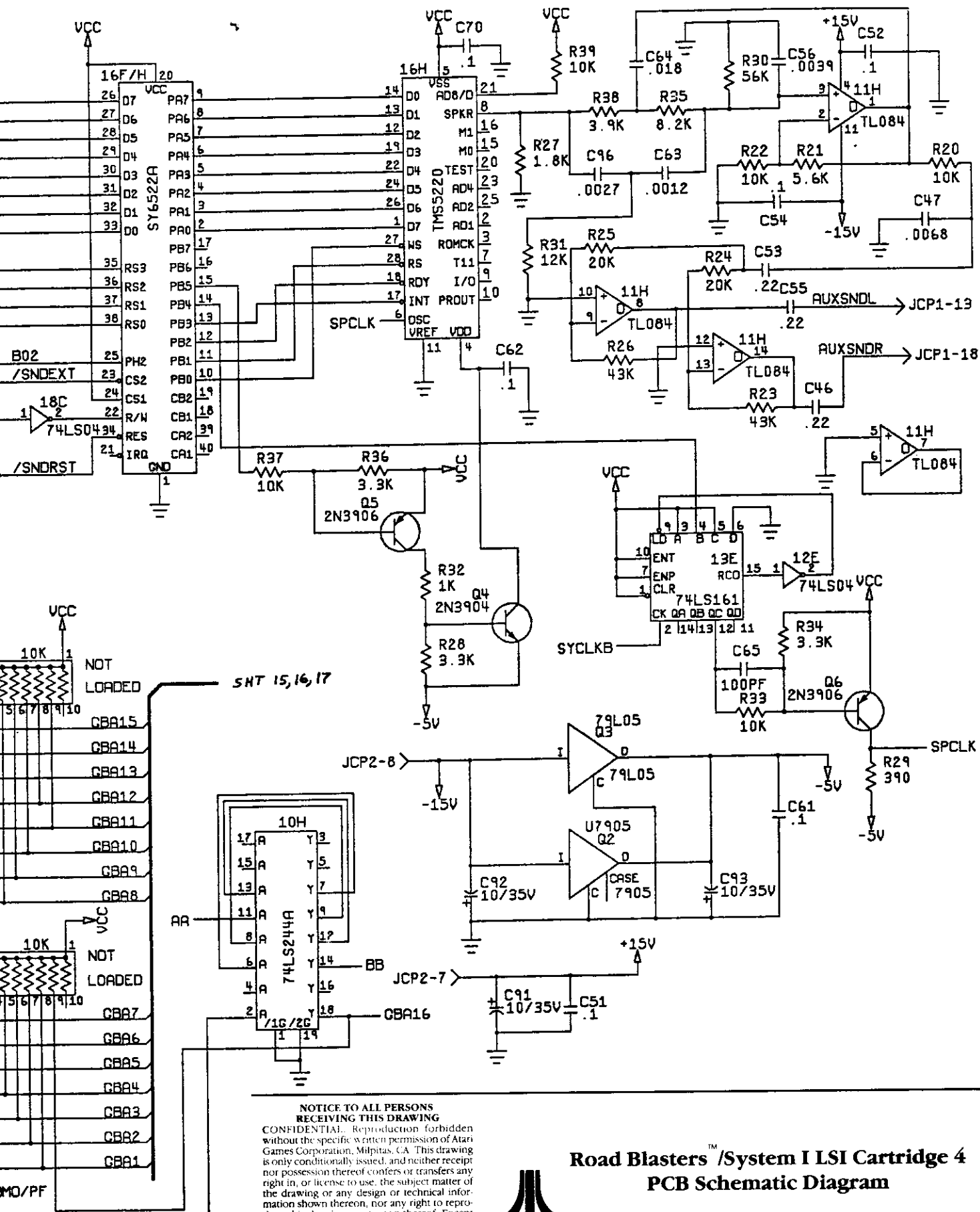


**Road Blasters™ /System I LSI Cartridge 4
 PCB Schematic Diagram**

© 1987 Atari Games Corporation

SP-298 Sheet 13
 1st printing





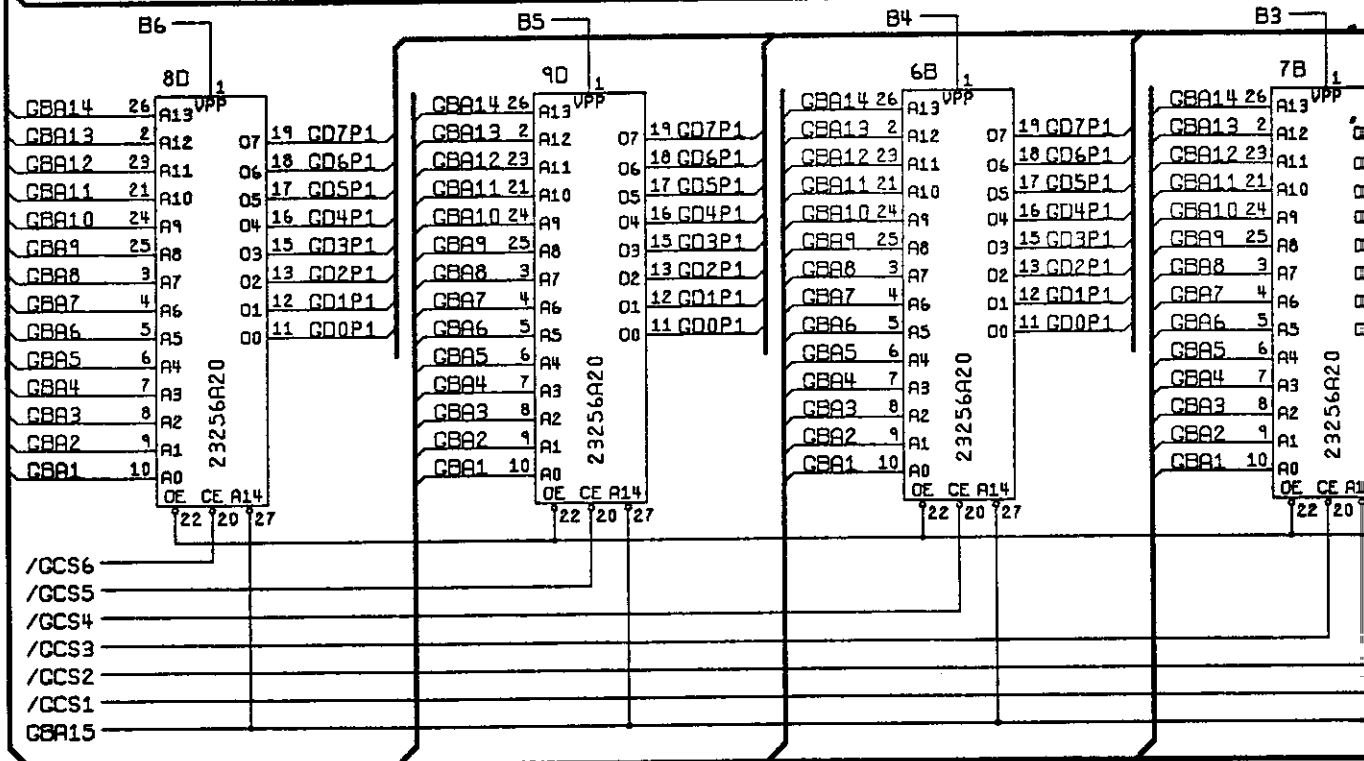
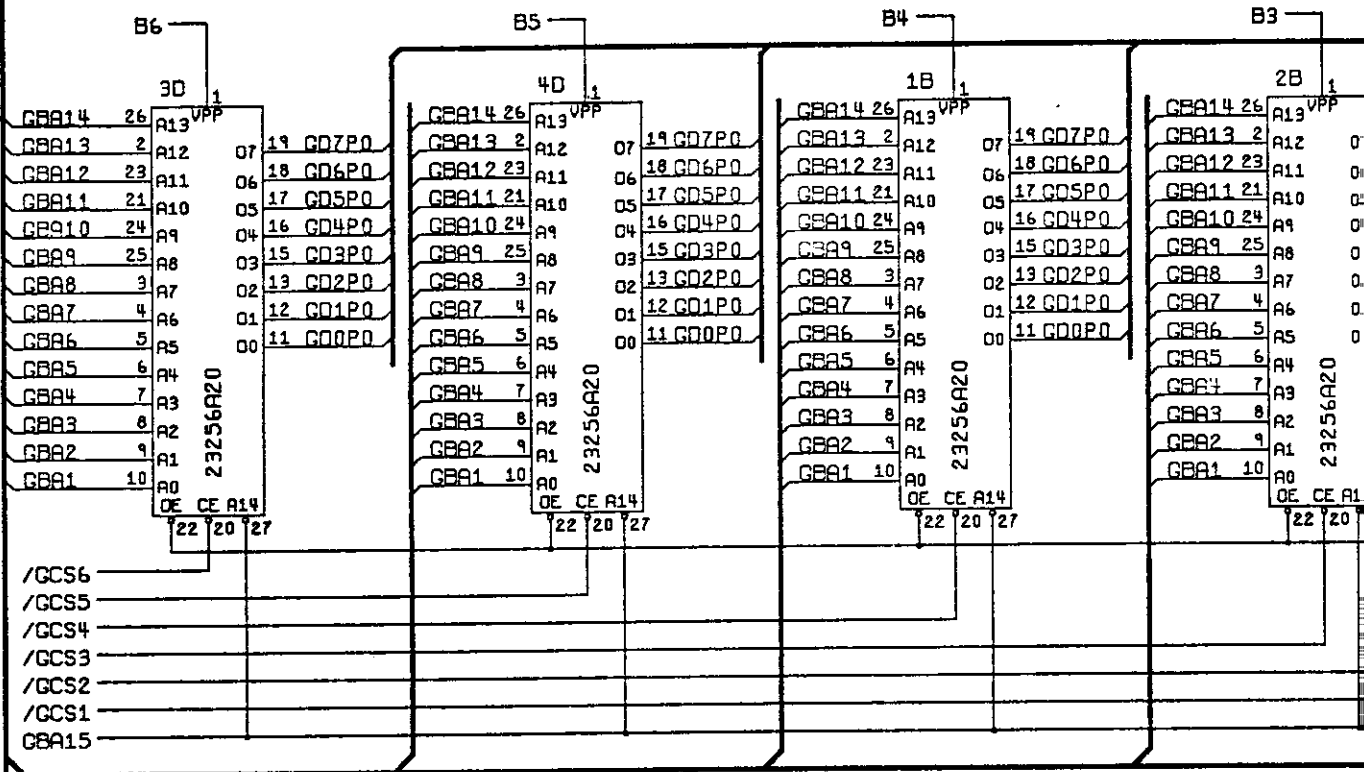
NOTICE TO ALL PERSONS RECEIVING THIS DRAWING

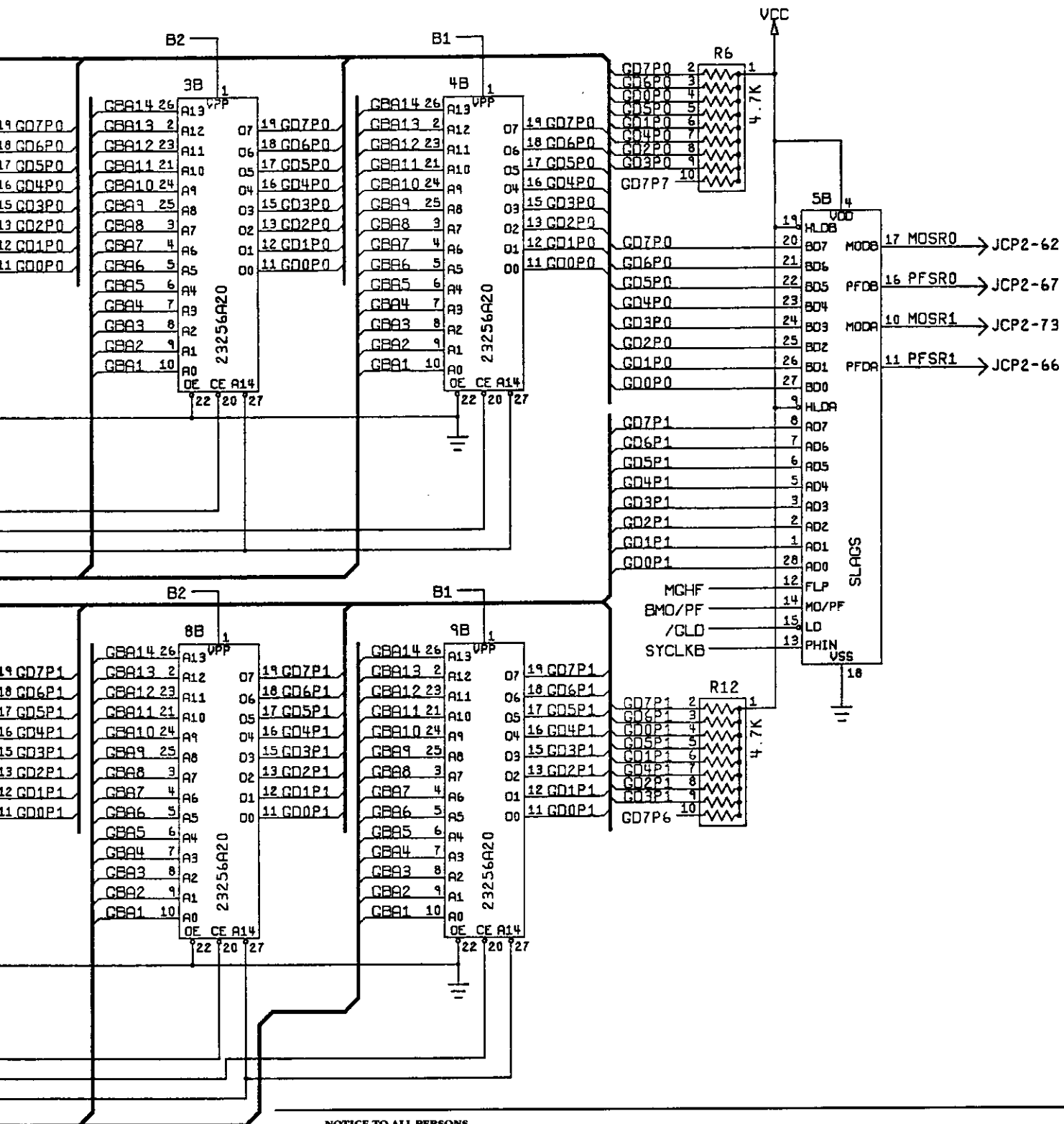
CONFIDENTIAL. Reproduction forbidden without the specific written permission of Atari Games Corporation, Milpitas, CA. This drawing is only conditionally issued, and neither receipt nor possession thereof confers or transfers any right in, or license to use, the subject matter of the drawing or any design or technical information shown thereon, nor any right to reproduce this drawing or any part thereof. Except for manufacture by vendors of Atari Games Corporation, and for manufacture under the corporation's written license, no right is granted to reproduce this drawing or the subject matter thereof, unless by written agreement with or written permission from the corporation.

**Road Blasters™ /System I LSI Cartridge 4
PCB Schematic Diagram**



SHT 14





NOTICE TO ALL PERSONS RECEIVING THIS DRAWING

CONFIDENTIAL. Reproduction forbidden without the specific written permission of Atari Games Corporation, Milpitas, CA. This drawing is only conditionally issued, and neither receipt nor possession thereof confers or transfers any right in, or license to use, the subject matter of the drawing or any design or technical information shown thereon, nor any right to reproduce this drawing or any part thereof. Except for manufacture by vendors of Atari Games Corporation, and for manufacture under the corporation's written license, no right is granted to reproduce this drawing or the subject matter thereof, unless by written agreement with or written permission from the corporation.

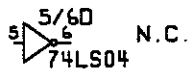
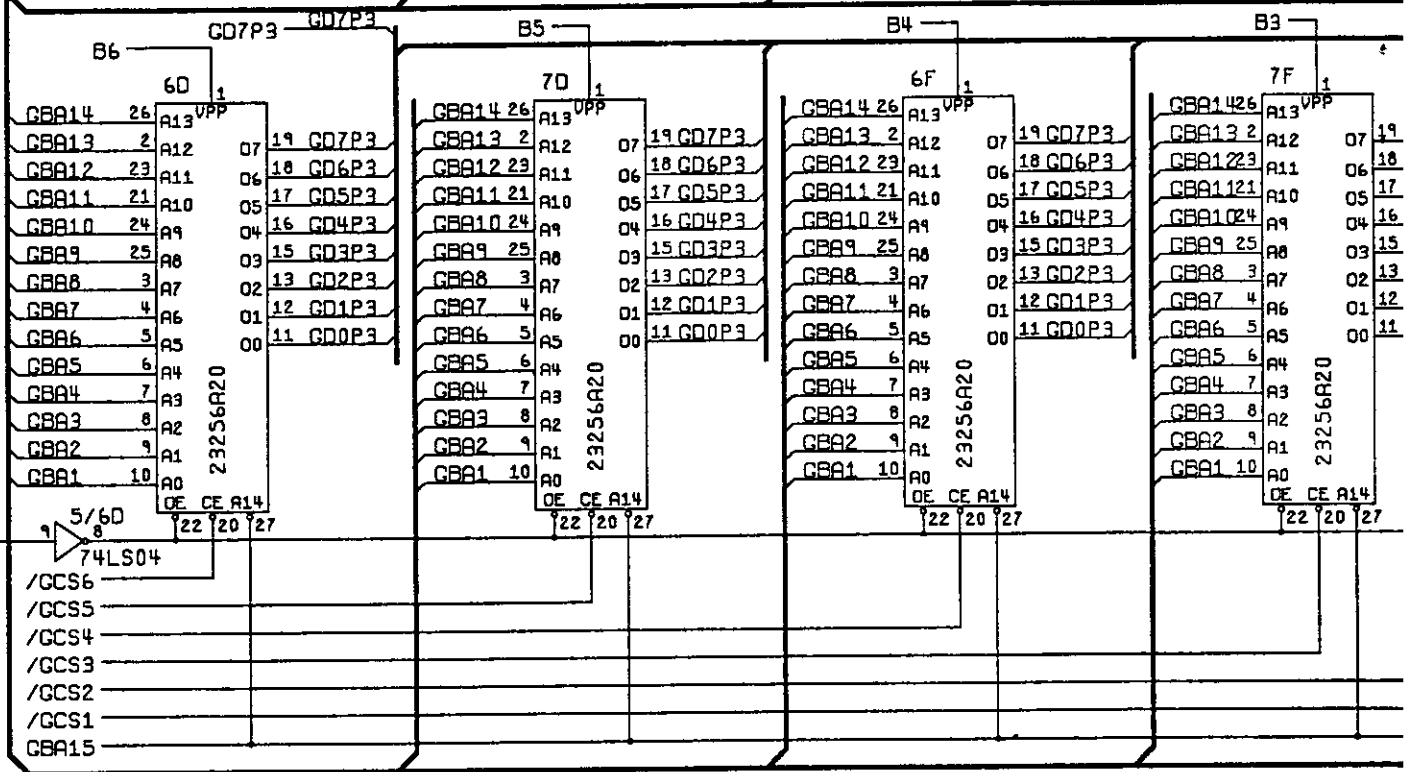
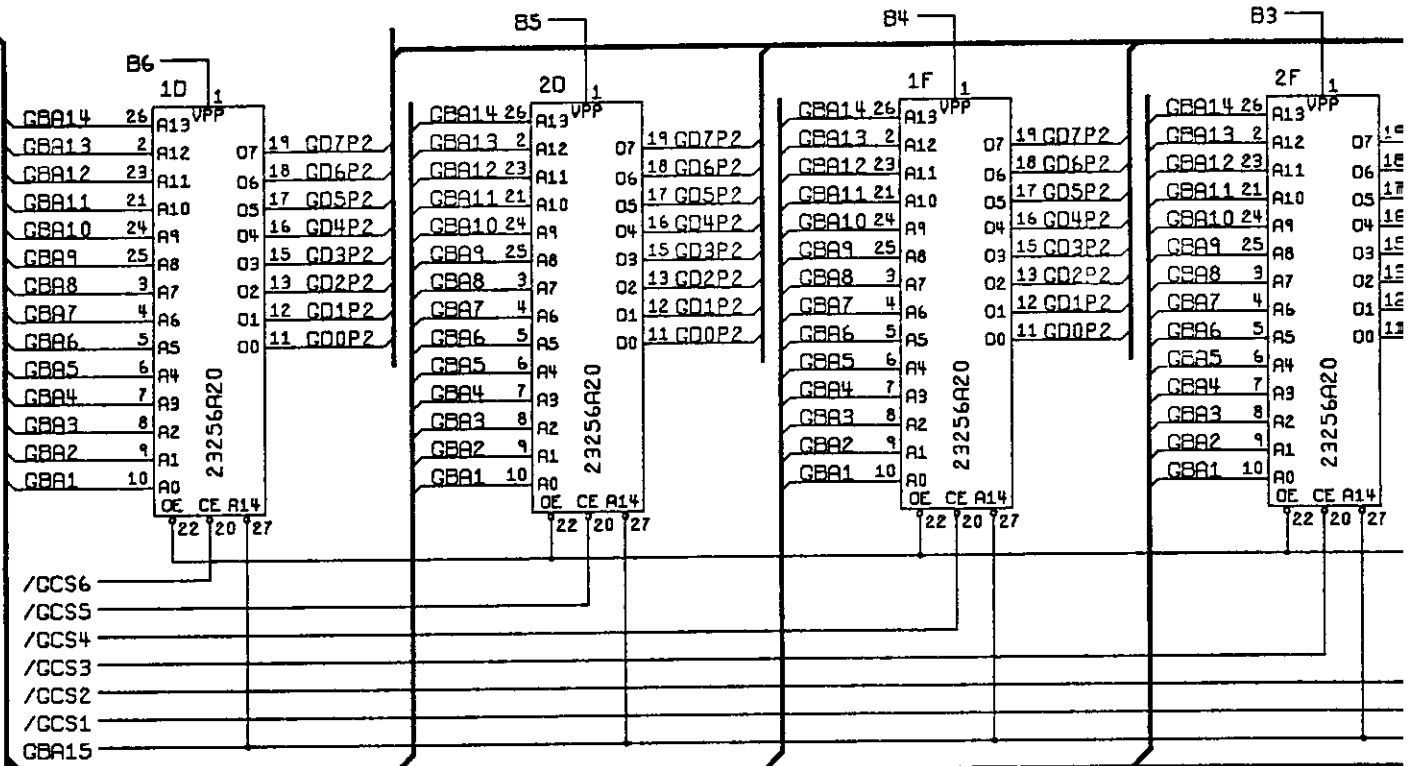


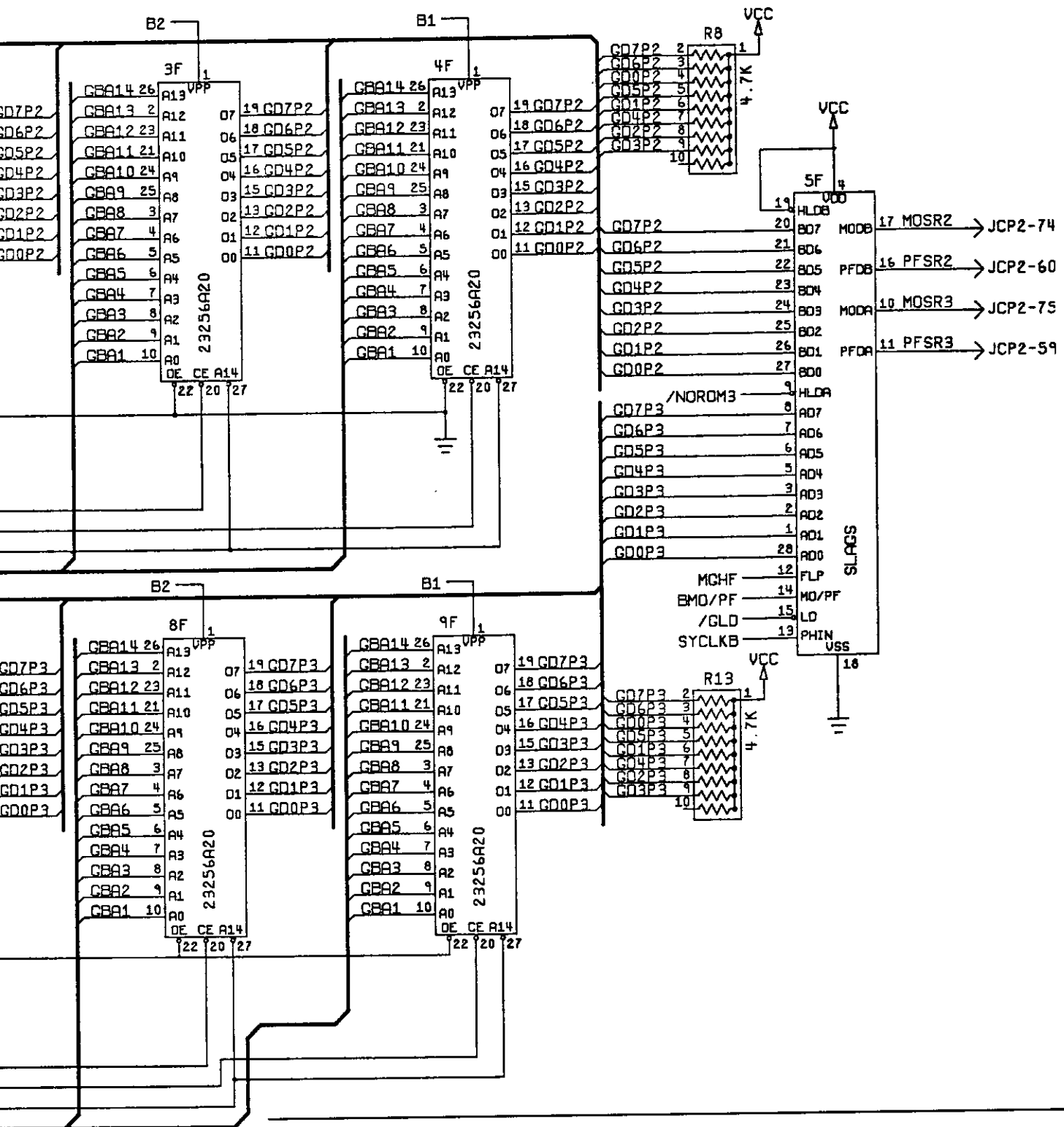
**Road Blasters™ /System I LSI Cartridge 4
PCB Schematic Diagram**

© 1987 Atari Games Corporation

SP-298 Sheet 15
1st printing

SHT14





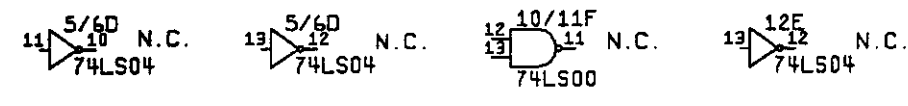
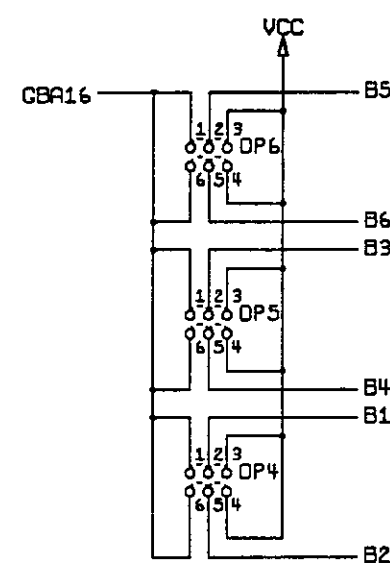
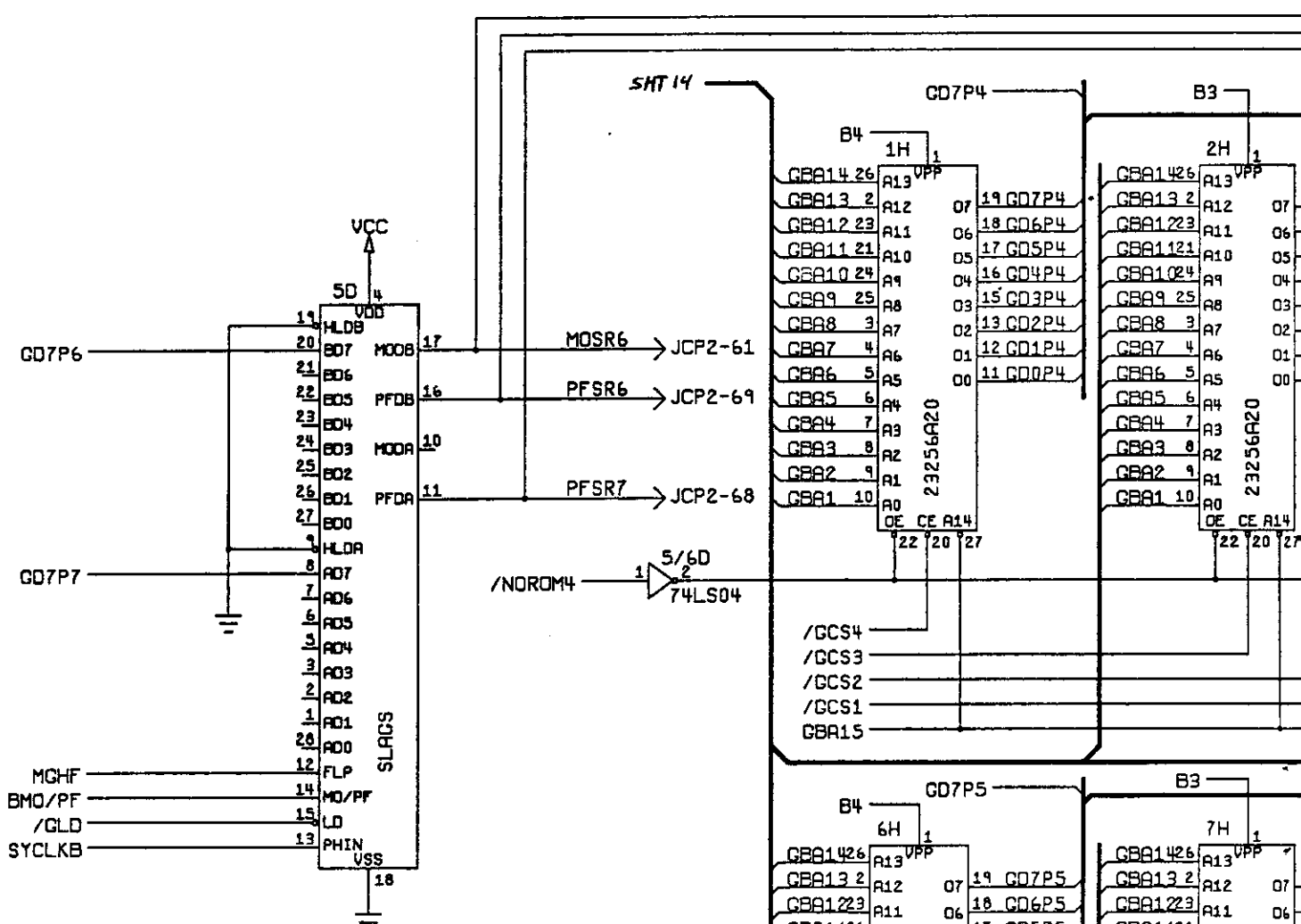
NOTICE TO ALL PERSONS RECEIVING THIS DRAWING
 CONFIDENTIAL: Reproduction forbidden without the specific written permission of Atari Games Corporation, Milpitas, CA. This drawing is only conditionally issued, and neither receipt nor possession thereof confers or transfers any right in, or license to use, the subject matter of the drawing or any design or technical information shown thereon, nor any right to reproduce this drawing or any part thereof. Except for manufacture by vendors of Atari Games Corporation, and for manufacture under the corporation's written license, no right is granted to reproduce this drawing or the subject matter thereof, unless by written agreement with or written permission from the corporation.

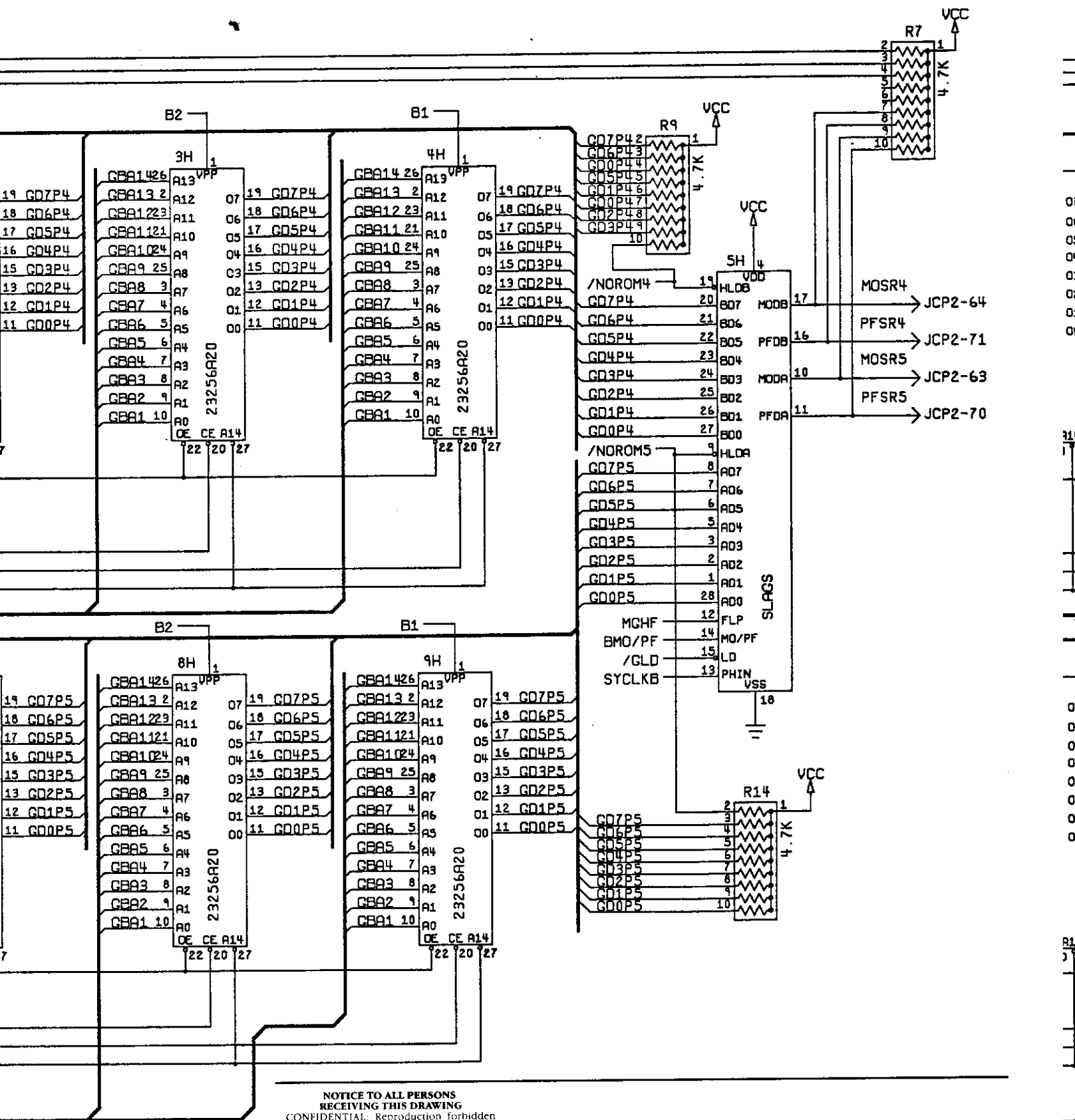
Road Blasters™ /System I LSI Cartridge 4 PCB Schematic Diagram



© 1987 Atari Games Corporation

SP-298 Sheet 16
 1st printing





NOTICE TO ALL PERSONS RECEIVING THIS DRAWING

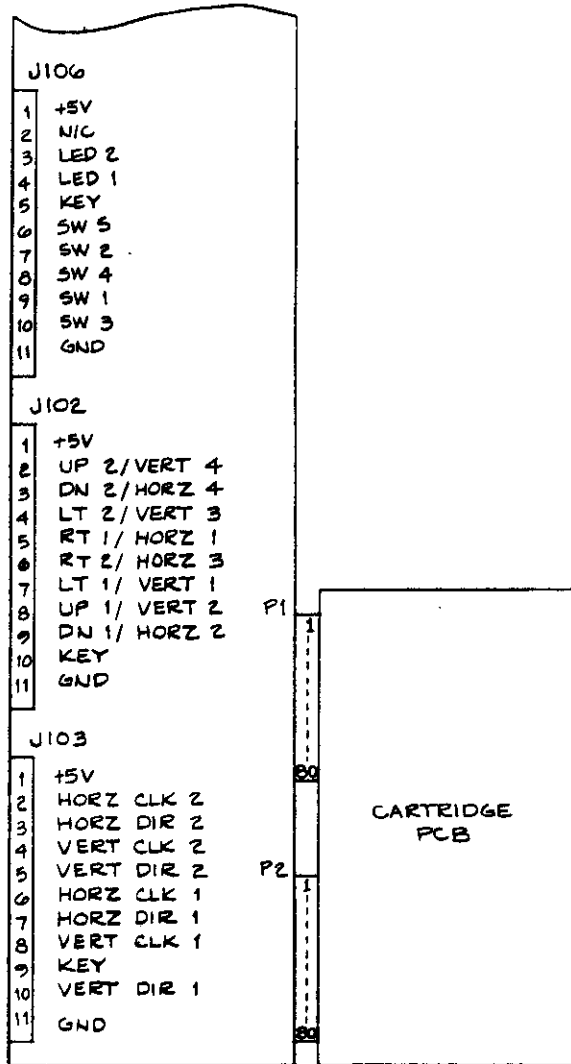
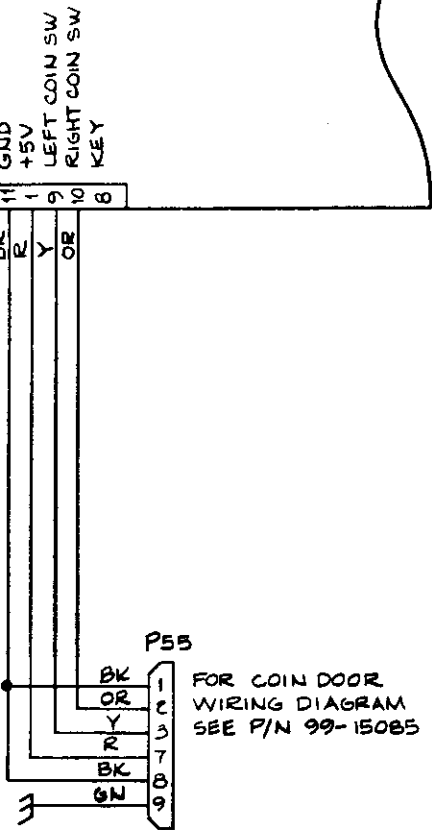
CONFIDENTIAL: Reproduction forbidden without the specific written permission of Atari Games Corporation, Milpitas, CA. This drawing is only conditionally issued, and neither receipt nor possession thereof confers or transfers any right in, or license to use, the subject matter of the drawing or any design or technical information shown thereon, nor any right to reproduce this drawing or any part thereof. Except for manufacture by vendors of Atari Games Corporation, and for manufacture under the corporation's written license, no right is granted to reproduce this drawing or the subject matter thereof, unless by written agreement with or written permission from the corporation.

**Road Blasters™ /System I LSI Cartridge 4
PCB Schematic Diagram**



© 1987 Atari Games Corporation

SP-298 Sheet 17
1st printing



NOTE



USED WITH AUDIO PCB A043661-XX ONLY.

NOTICE TO ALL PERSONS RECEIVING THIS DRAWING

CONFIDENTIAL. Reproduction forbidden without the specific written permission of Atari Games Corporation, Milpitas, CA. This drawing is only conditionally issued, and neither receipt nor possession thereof confers or transfers any right in, or license to use, the subject matter of the drawing or any design or technical information shown thereon, nor any right to reproduce this drawing or any part thereof. Except for manufacture by vendors of Atari Games Corporation, and for manufacture under the corporation's written license, no right is granted to reproduce this drawing or the subject matter thereof, unless by written agreement with or written permission from the corporation.

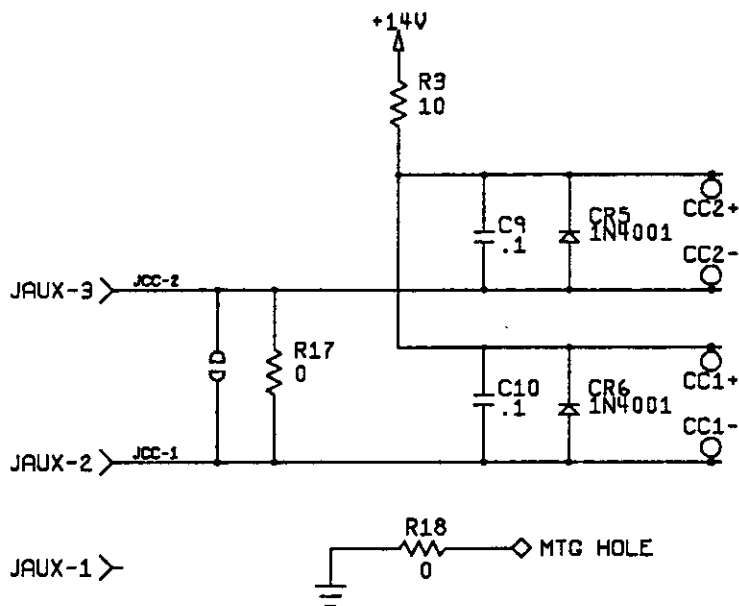
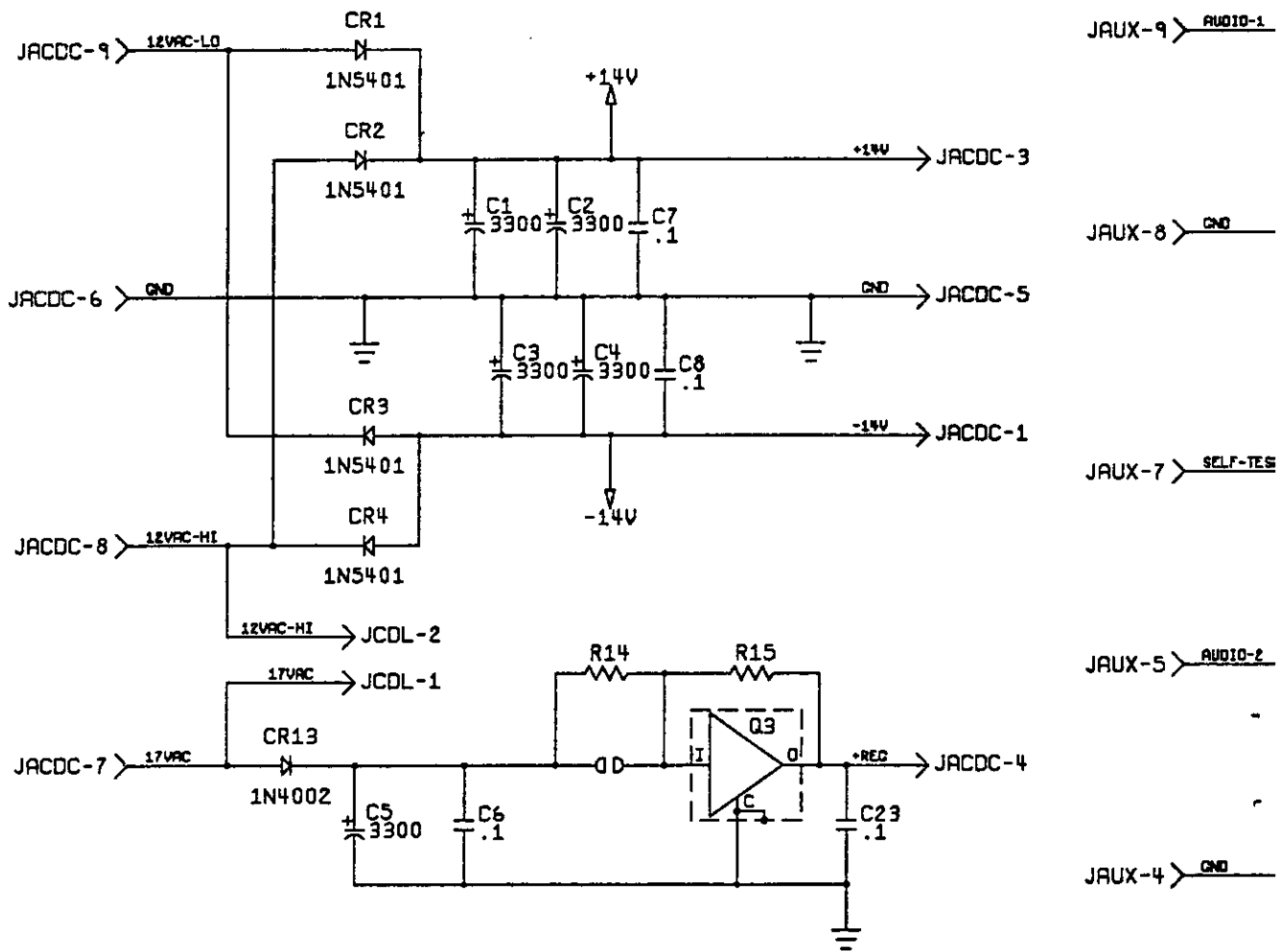


Road Blasters™ /System I
Main Wiring Diagram

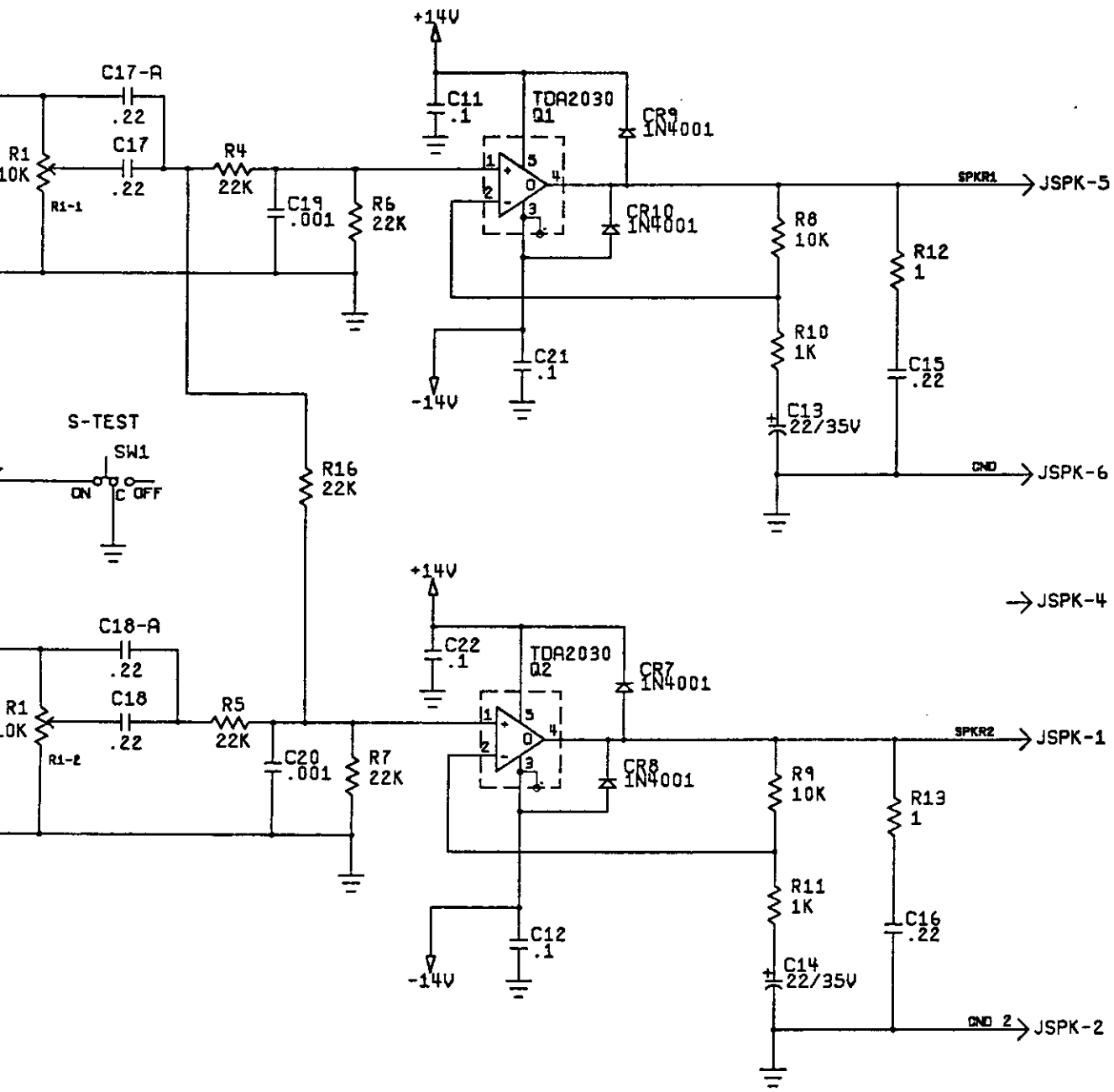
© 1987 Atari Games Corporation

SP-298 Sheet 18
 1st printing

BU 2 COIN COUNTER 1



NOTES:
 SEE APPROPRIATE PARTS LIST FOR CORRECT PARTS
 USED FOR EACH DASH VERSION.

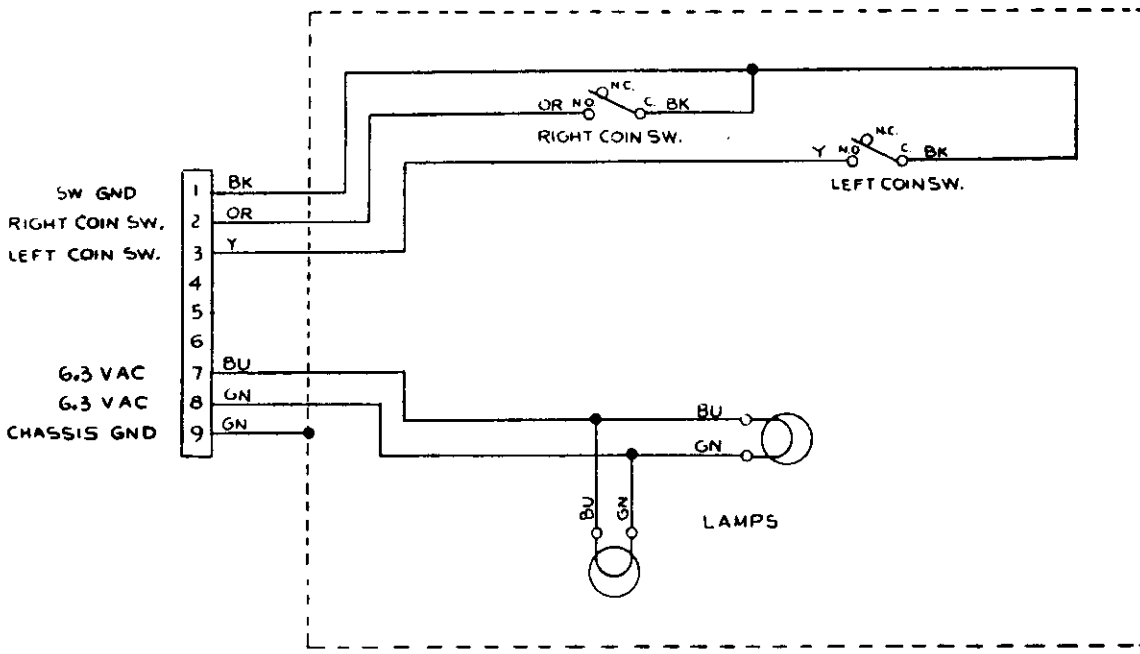


CT COMPONENTS

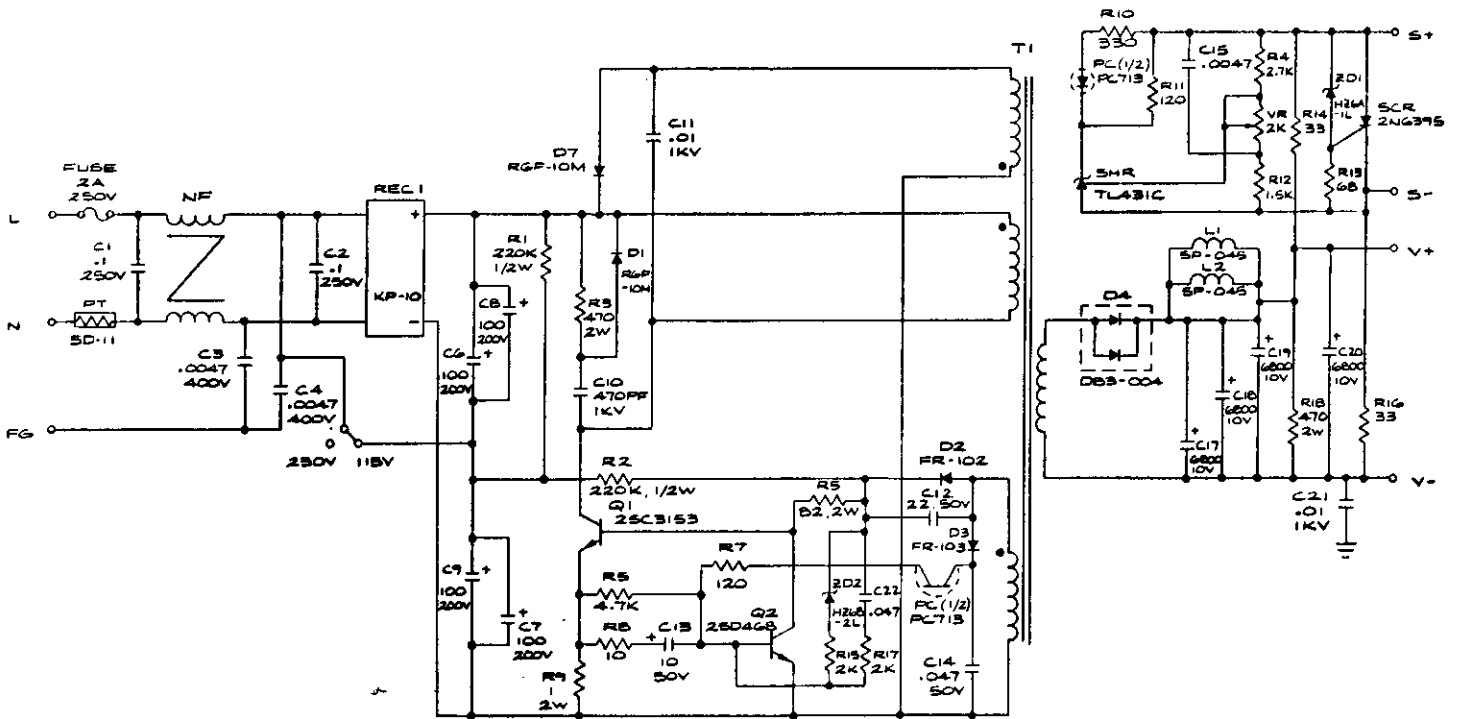
NOTICE TO ALL PERSONS RECEIVING THIS DRAWING
 CONFIDENTIAL: Reproduction forbidden without the specific written permission of Atari Games Corporation, Milpitas, CA. This drawing is only conditionally issued, and neither receipt nor possession thereof confers or transfers any right in, or license to use, the subject matter of the drawing or any design or technical information shown thereon, nor any right to reproduce this drawing or any part thereof. Except for manufacture by vendors of Atari Games Corporation, and for manufacture under the corporation's written license, no right is granted to reproduce this drawing or the subject matter thereof, unless by written agreement with or written permission from the corporation.



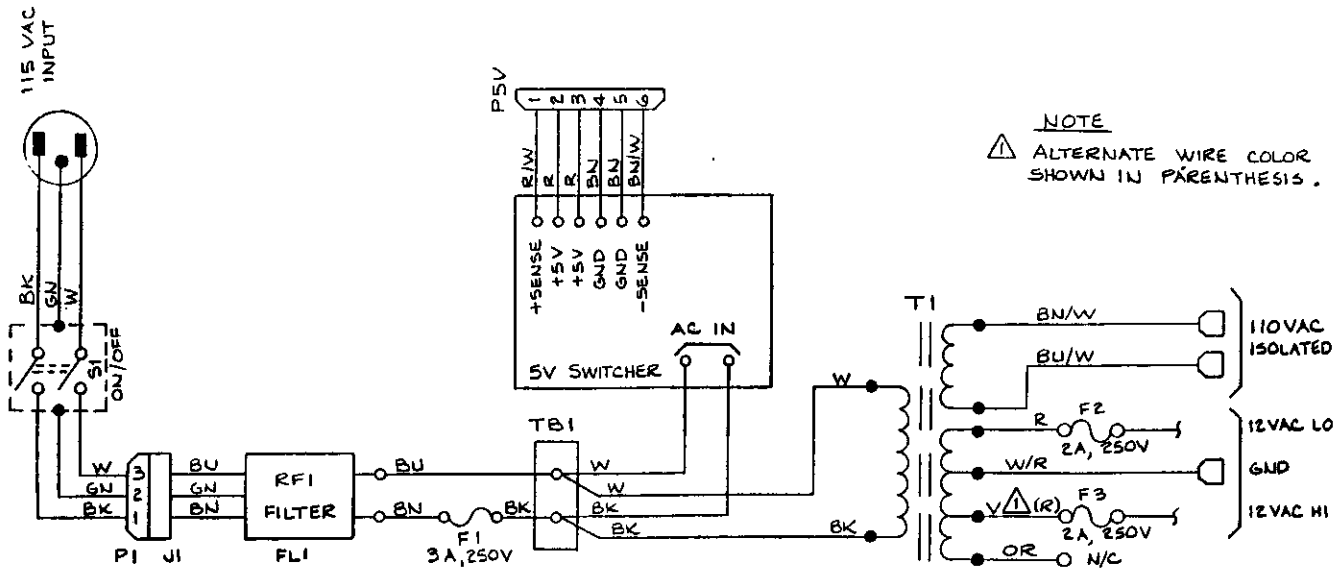
**Road Blasters™ Audio II
 PCB Schematic Diagram**



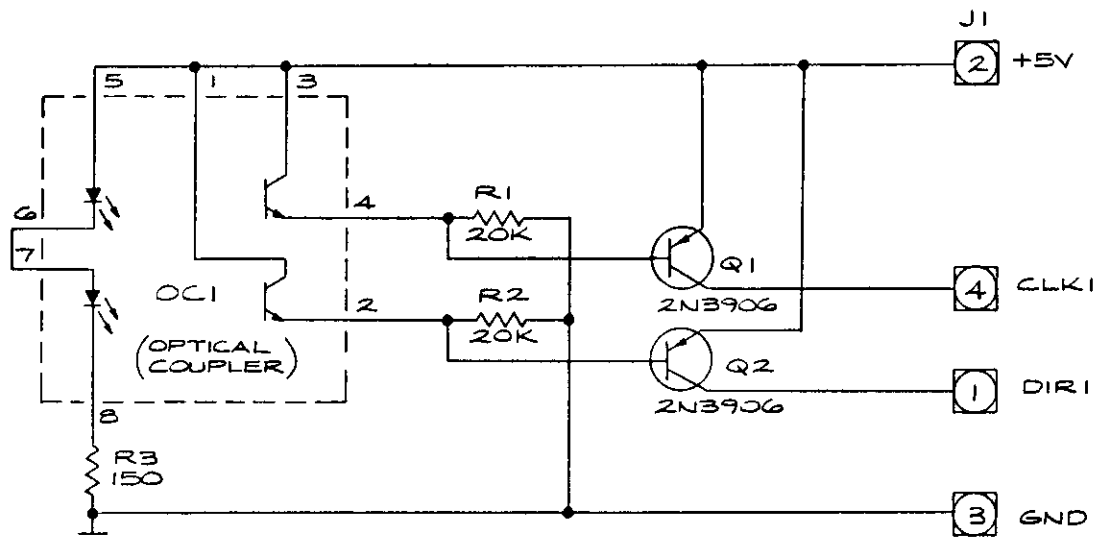
Coin Door Wiring Diagram



Phihong 5V, 10A Switching Power Supply Wiring Diagram



**Switching/Linear (SL) Power Supply
Wiring Diagram**



**Coupler PCB Schematic Diagram
(Mounted on RTC Steering Control)**

**NOTICE TO ALL PERSONS
RECEIVING THIS DRAWING**

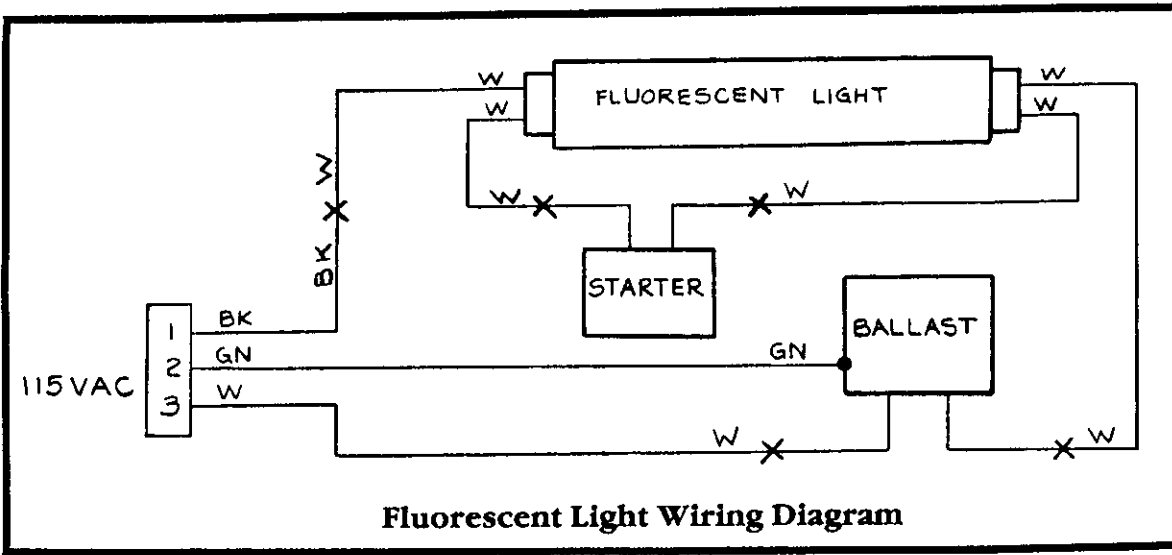
CONFIDENTIAL: Reproduction forbidden without the specific written permission of Atari Games Corporation, Milpitas, CA. This drawing is only conditionally issued, and neither receipt nor possession thereof confers or transfers any right in, or license to use, the subject matter of the drawing or any design or technical information shown thereon, nor any right to reproduce this drawing or any part thereof. Except for manufacture by vendors of Atari Games Corporation, and for manufacture under the corporation's written license, no right is granted to reproduce this drawing or the subject matter thereof, unless by written agreement with or written permission from the corporation.



**Wiring Diagrams for SL Power
Supply, Coin Door, Phihong 5V 10A Power
Supply, and Coupler PCB**

© 1987 Atari Games Corporation

SP-298 Sheet 20
1st printing



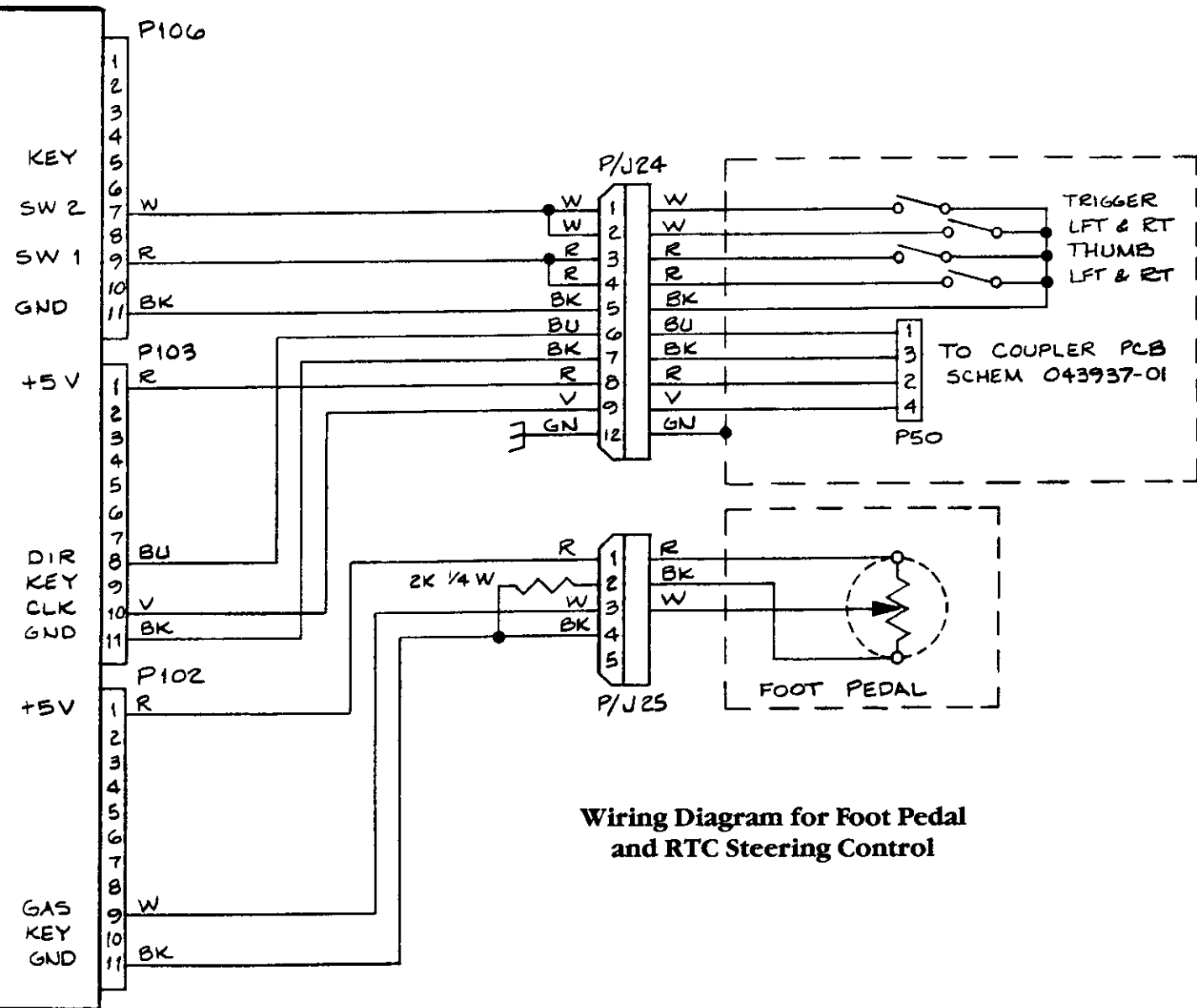
Fluorescent Light Wiring Diagram

(TRIGGER)

(THUMB)

SYSTEM I
 TTL MAIN PCB
 SCHEM 042854-XX

SYSTEM IA
 LSI MAIN PCB
 SCHEM 043096-XX



**Wiring Diagram for Foot Pedal
and RTC Steering Control**

**NOTICE TO ALL PERSONS
RECEIVING THIS DRAWING**

CONFIDENTIAL. Reproduction forbidden without the specific written permission of Atari Games Corporation, Milpitas, CA. This drawing is only conditionally issued, and neither receipt nor possession thereof confers or transfers any right in, or license to use, the subject matter of the drawing or any design or technical information shown thereon, nor any right to reproduce this drawing or any part thereof. Except for manufacture by vendors of Atari Games Corporation, and for manufacture under the corporation's written license, no right is granted to reproduce this drawing or the subject matter thereof, unless by written agreement with or written permission from the corporation.



**Wiring Diagrams for Foot Pedal,
RTC Steering Control
and Fluorescent Light**

© 1987 Atari Games Corporation

SP-298 Sheet 21
1st printing

Processor Memory Map

ADDRESS										READ/ WRITE	DATA BUS SIGNAL LINES														
A8	A7	A6	A5	A4	A3	A2	A1	A0		D15	D14	D13	D12	D11	D10	D9	D8	D7	D6	D5	D4	D3	D2	D1	D0
A	A	A	A	A	A	A	A	A	R	D	D	D	D	D	D	D	D	D	D	D	D	D	D	D	D
A	A	A	A	A	A	A	A	A	R/W	D	D	D	D	D	D	D	D	D	D	D	D	D	D	D	D
0	0	0	0	0	0	0	0	0	W							D	D	D	D	D	D	D	D	D	D
0	0	0	0	0	0	0	0	0	W							D	D	D	D	D	D	D	D	D	D
0	0	0	0	0	0	0	0	0	R								D	D	D	D	D	D	D	D	D
0	0	0	0	0	0	0	0	0	W								D								
0	0	0	0	0	0	0	0	0	W									D			D				
0	0	0	0	0	0	0	0	0	W											D		D			
0	0	0	0	0	0	0	0	0	W													D			
0	0	0	0	0	0	0	0	0	W														D		
0	0	0	0	0	0	0	0	0	W															D	
0	0	0	0	0	0	0	0	0	W																D
0	0	0	0	0	0	0	0	0	W																D
0	0	0	0	0	0	0	0	0	W																D
0	0	0	0	0	0	0	0	0	W																D
A	A	A	A	A	A	A	A	A	R/W	D	D	D	D	D	D	D	D	D	D	D	D	D	D	D	D
A	A	A	A	A	A	A	A	A	R/W	D	D	D	D	D	D	D	D	D	D	D	D	D	D	D	D
0	0	A	A	A	A	A	A	A	R/W	D	D	D	D	D	D	D	D	D	D	D	D	D	D	D	D
0	1	A	A	A	A	A	A	A	R/W	D	D	D	D	D	D	D	D	D	D	D	D	D	D	D	D
1	0	A	A	A	A	A	A	A	R/W	D	D	D	D	D	D	D	D	D	D	D	D	D	D	D	D
1	1	A	A	A	A	A	A	A	R/W	D	D	D	D	D	D	D	D	D	D	D	D	D	D	D	D
0	0	A	A	A	A	A	A	A	R/W	D	D	D	D	D	D	D	D	D	D	D	D	D	D	D	D
0	1	A	A	A	A	A	A	A	R/W	D	D	D	D	D	D	D	D	D	D	D	D	D	D	D	D
1	0	A	A	A	A	A	A	A	R/W	D	D	D	D	D	D	D	D	D	D	D	D	D	D	D	D
1	1	A	A	A	A	A	A	A	R/W	D	D	D	D	D	D	D	D	D	D	D	D	D	D	D	D
0	0	A	A	A	A	A	A	A	R/W	D	D	D	D	D	D	D	D	D	D	D	D	D	D	D	D
0	1	A	A	A	A	A	A	A	R/W	D	D	D	D	D	D	D	D	D	D	D	D	D	D	D	D
1	0	A	A	A	A	A	A	A	R/W	D	D	D	D	D	D	D	D	D	D	D	D	D	D	D	D
1	1	A	A	A	A	A	A	A	R/W	D	D	D	D	D	D	D	D	D	D	D	D	D	D	D	D
A	A	A	A	A	A	A	A	A	R/W	D	D	D	D	D	D	D	D	D	D	D	D	D	D	D	D
A	A	A	A	A	A	A	A	A	R/W	D	D	D	D	D	D	D	D	D	D	D	D	D	D	D	D
A	A	A	A	A	A	A	A	A	R/W	D	D	D	D	D	D	D	D	D	D	D	D	D	D	D	D
A	A	A	A	A	A	A	A	A	R/W	D	D	D	D	D	D	D	D	D	D	D	D	D	D	D	D
0	0	0	0	A	A	A	A	A	R/W	D	D	D	D	D	D	D	D	D	D	D	D	D	D	D	D
A	A	A	A	A	A	A	A	A	R								D	D	D	D	D	D	D	D	D
0	0	0	0	0	0	A	A	A	R								D	D	D	D	D	D	D	D	D
0	0	0	0	0	A	A	A	A	R								D	D	D	D	D	D	D	D	D
0	0	0	0	1	0	0	0	0	R																
0	0	0	0	0	0	0	0	0	R							D									
0	0	0	0	0	0	0	0	0	R								D								
0	0	0	0	0	0	0	0	0	R									D							
0	0	0	0	0	0	0	0	0	R											D					
0	0	0	0	0	0	0	0	0	R												D				
0	0	0	0	0	0	0	0	0	R													D			
0	0	0	0	0	0	0	0	0	R														D		
0	0	0	0	0	0	0	0	0	R															D	
0	0	0	0	0	0	0	0	0	W															D	
0	0	0	0	0	0	0	0	0	W																D

NOTICE TO ALL PERSONS RECEIVING THIS DRAWING
 CONFIDENTIAL: Reproduction forbidden without the specific written permission of Atari Games Corporation, Milpitas, CA. This drawing is only conditionally issued, and neither receipt nor possession thereof confers or transfers any right in, or license to use, the subject matter of the drawing or any design or technical information shown thereon, nor any right to reproduce this drawing or any part thereof. Except for manufacture by vendors of Atari Games Corporation, and for manufacture under the corporation's written license, no right is granted to reproduce this drawing or the subject matter thereof, unless by written agreement with or written permission from the corporation.



Road Blasters™ Video Microprocessor Memory Map

Processor Memory Map

SIGNAL LINES								READ/ WRITE	DATA BUS SIGNAL LINES							
A7	A6	A5	A4	A3	A2	A1	A0		D7	D6	D5	D4	D3	D2	D1	D0
A	A	A	A	A	A	A	A	R/W	D	D	D	D	D	D	D	D
A	A	A	A	A	A	A	A	R/W	D	D	D	D	D	D	D	D
0	0	0	0	0	0	0	A	R/W	D	D	D	D	D	D	D	D
0	0	0	1	0	0	0	0	R	D	D	D	D	D	D	D	D
0	0	0	1	0	0	0	0	W	D	D	D	D	D	D	D	D
0	0	1	0	0	0	0	0	R	D							
0	0	0	1	0	0	0	0	R			D					
0	0	0	1	0	0	0	0	R				D				
0	0	0	1	0	0	0	0	R					D			
0	0	0	1	0	0	0	0	R						D		D
0	0	1	0	0	0	0	0	W								D
0	0	1	0	0	1	0	0	W								D
0	0	1	0	0	1	0	1	W								D
0	0	1	0	0	1	1	0	W								D
0	0	1	0	0	1	1	1	W								D
0	1	1	1	A	A	A	A	R/W	D	D	D	D	D	D	D	D
A	A	A	A	A	A	A	A	R	D	D	D	D	D	D	D	D

**NOTICE TO ALL PERSONS
RECEIVING THIS DRAWING**

CONFIDENTIAL. Reproduction forbidden without the specific written permission of Atari Games Corporation, Milpitas, CA. This drawing is only conditionally issued, and neither receipt nor possession thereof confers or transfers any right in, or license to use, the subject matter of the drawing or any design or technical information shown thereon, nor any right to reproduce this drawing or any part thereof. Except for manufacture by vendors of Atari Games Corporation, and for manufacture under the corporation's written license, no right is granted to reproduce this drawing or the subject matter thereof, unless by written agreement with or written permission from the corporation.



**Road Blasters™ I/O and Sound
Microprocessor Memory Map**

Table of Contents

Road Blasters™/System I LSI Main PCB Schematic Diagrams	Sheet 1-10
Road Blasters/System I LSI Cartridge 4 PCB Schematic Diagrams	Sheet 11-17
Road Blasters/System I Main, Wiring Diagram	Sheet 18
Road Blasters Audio II PCB Schematic Diagram	Sheet 19
Wiring Diagrams for SL Power Supply, Coin Door, PhiHong 5V 10A Power Supply, and Coupler PCB	Sheet 20
Wiring Diagram for Foot Pedal, RTC Steering Control and Fluorescent Light	Sheet 21
Road Blasters Video Microprocessor Memory Map	Sheet 22
Road Blasters I/O and Sound Microprocessor Memory Map	Sheet 23

*If your game or kit has a *Cartridge 3* PCB Assembly, you can get a free copy of the schematic diagrams for that board from Atari Games Customer Service. Contact:

United States

Atari Games Corporation
California Customer Service Office
737 Sycamore Drive
P.O. Box 361110
Milpitas, CA 95035

Fax (408) 434-3945

Telex 5101007850

(Monday-Friday, 7:30-4:00 pm Pacific Time)

 **(408) 434-3950**

Europe

Atari Games Ireland Limited
European Customer Service Office
Tipperary Town, Ireland

Fax 062-51702

Telex 28165

(Monday-Friday, 9:00-5:30 pm GMT)

 **062-52155**