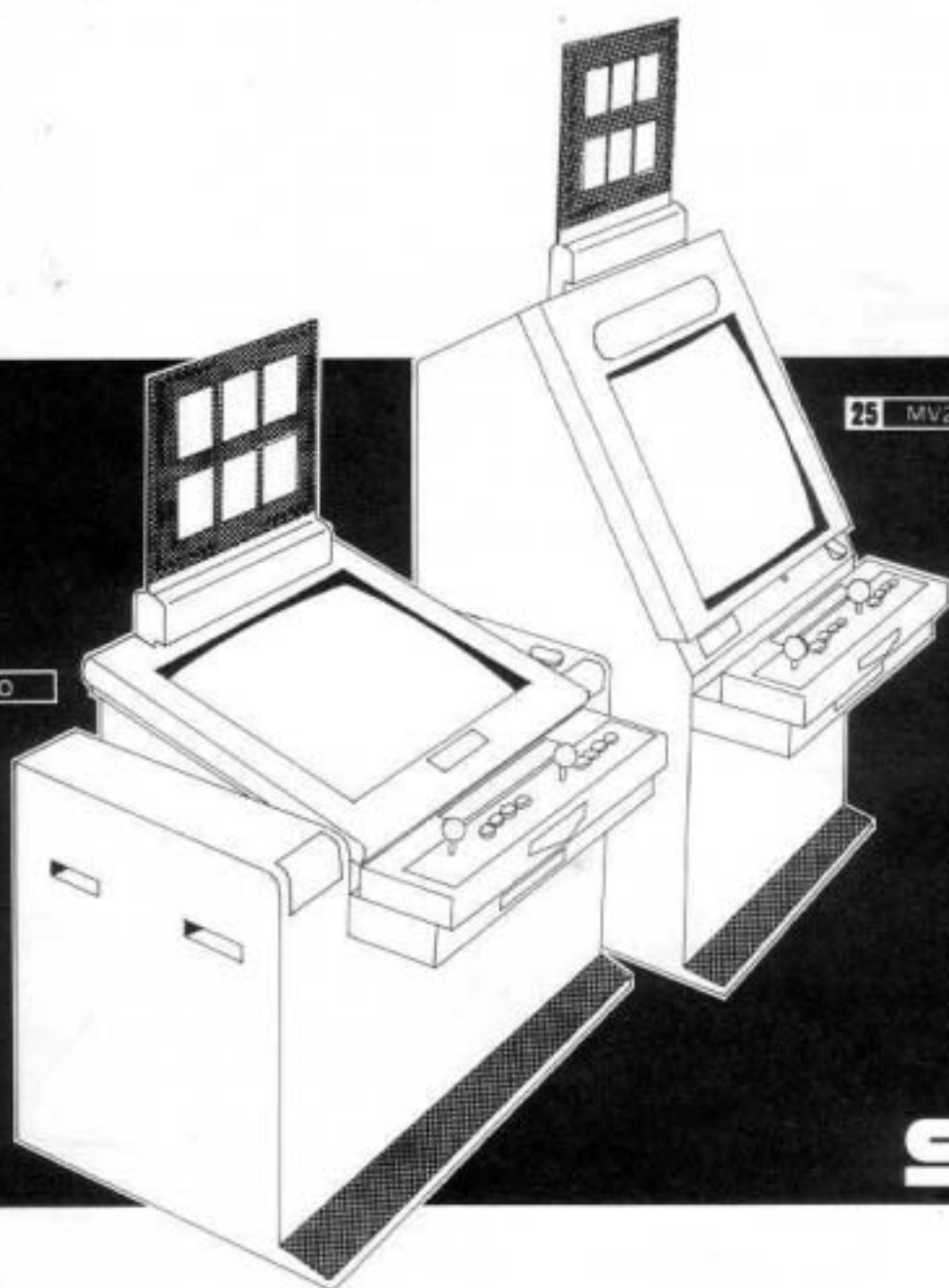


# MVS<sup>®</sup>

MULTI VIDEO SYSTEM

## SERVICE MANUAL



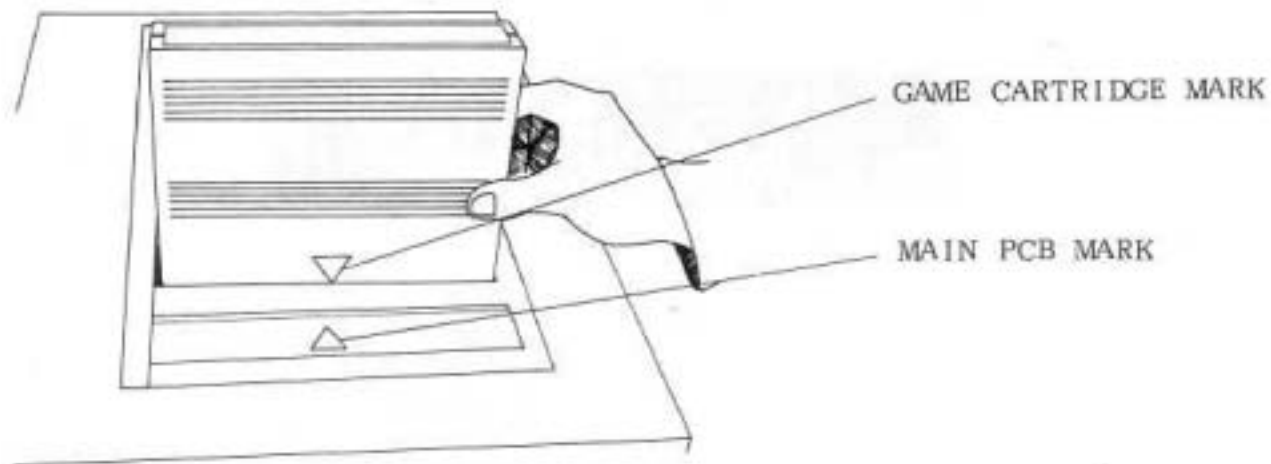
25 MV25TA-0

25 MV25UP-0

**SNK**

## ○ WARNING

- 1) Make sure the game cartridge is installed with the markings matching the main board.

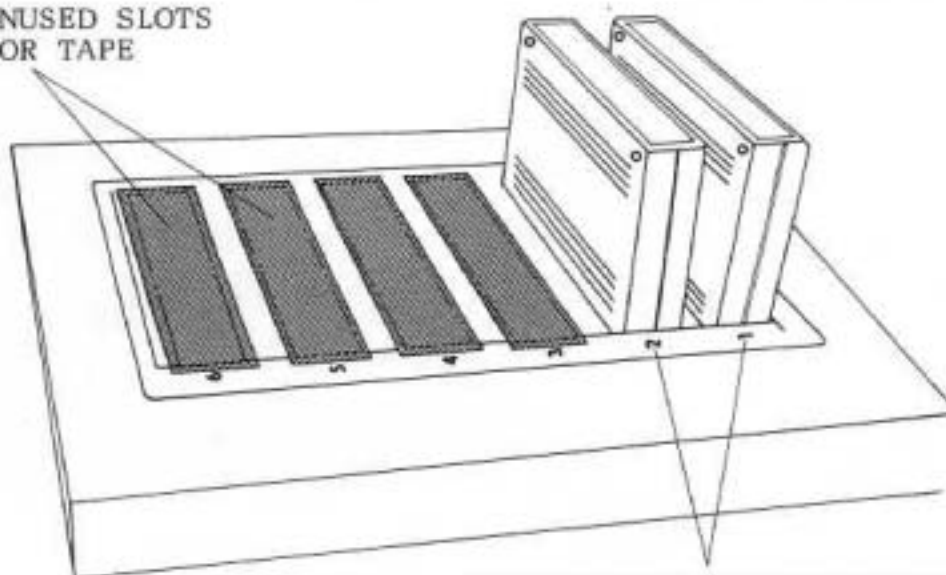


- 2) Make sure the slot number you install the cartridge in matches the game title card number on the EL panel.

- 3) Make sure the power is off when you insert or remove the cartridge. Make sure the cartridge is firmly inserted in the slot or it will not work properly.

- 4) Protect the unused slots with a cover or tape.

PROTECT THE UNUSED SLOTS  
WITH A COVER OR TAPE

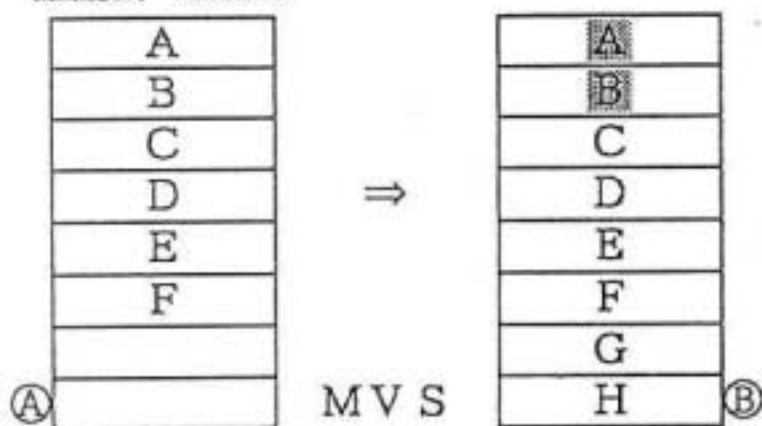


SLOT NUMBER FOR CARTRIDGE  
SHOULD MATCH THE NUMBER OF  
THE GAME TITLE CARD

- 5) Do not put any electric conductive materials on or in the slots.
- 6) Do not insert any other cartridge than the MVS cartridge with the 240 pin connector.  
The NEO GEO Rental System cartridge will not fit on this connector!
- 7) MVS preserves the income data of max 8 games even the power is off or the game cartridges are removed from PCB.

For example: 6 cartridges are being used, A,B,C,D,E,& F on the MVS. If new game titles G & H are used to replace A & B, the data for A & B will remain.

MEMORY FRAMES



☞ The income data for A & B will remain even if they are pulled out of the cabinet. Even if you move C & D to slot where A & B was, the income data for A & B will still remain.

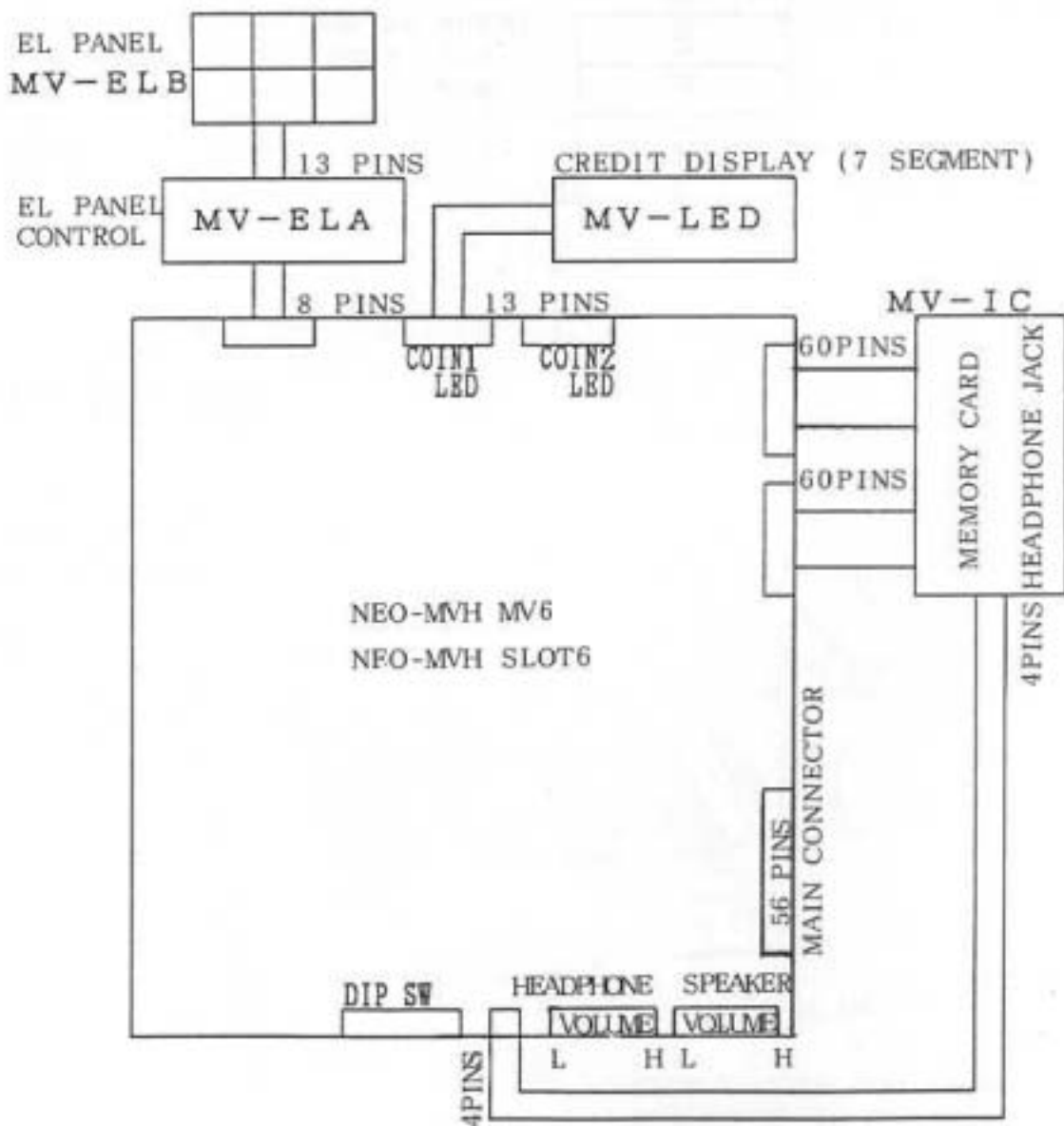
As drawing B shows above, when you install new game titles I & J, in the slots that were being used by C & D, the data for A & B will be erased and data for C & D will remain. The reason for this is that the MVS can only retain data for up to 8 titles.

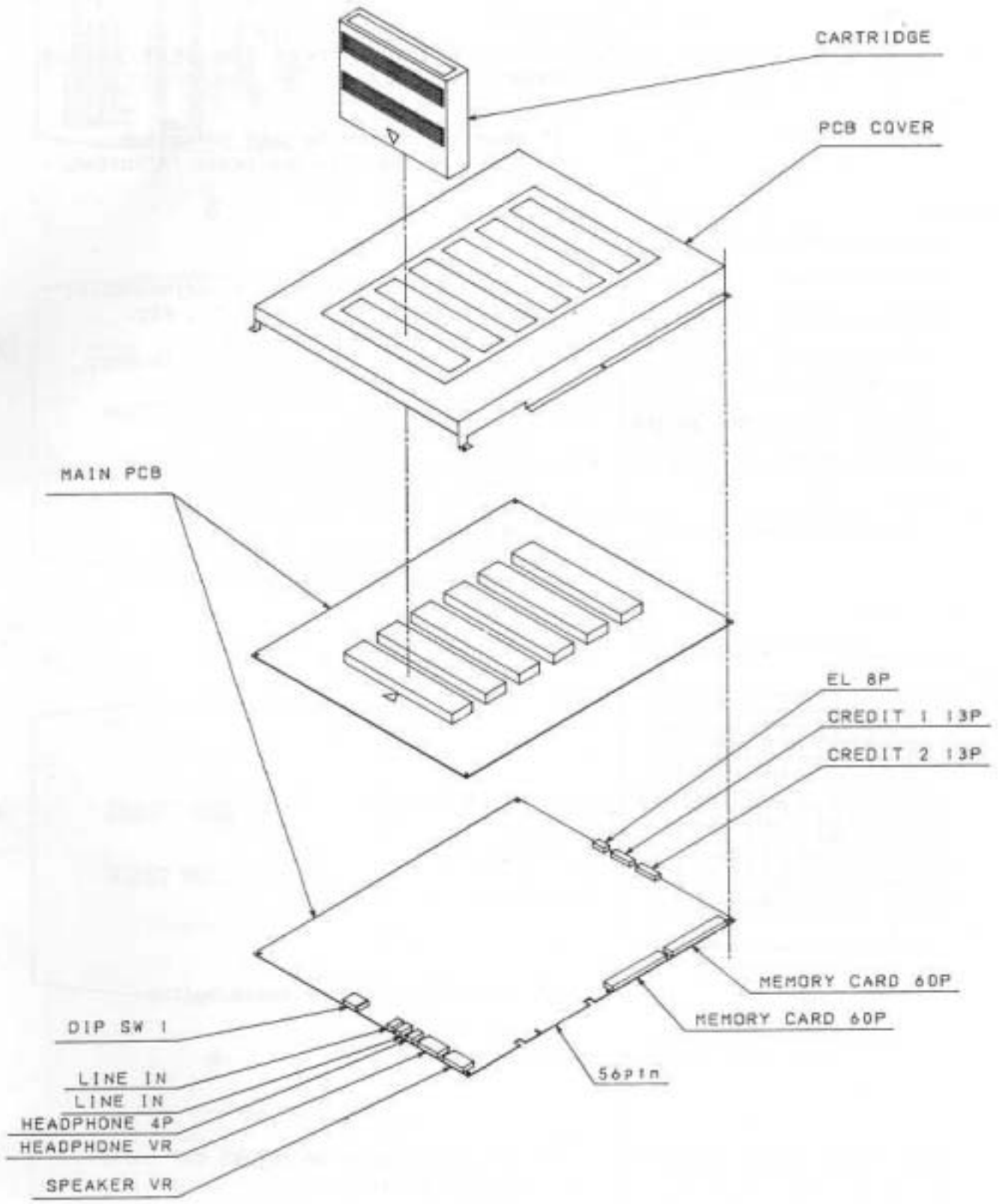
# ○ P.C.B. COMPONENT

① MVS consists of 6 different P.C.Bs.

- NEO-MVH MV6 ···· Main programming, characters
- NEO-MVH SLOT6 ·· Switching game cartridge
- MV-LED ········ Credit indicator
- MV-IC ········· Reads the data from the memory card  
Two headphone jacks are installed here
- MV-ELA ········ Control lighting EL board
- MV-ELB ········ EL board is installed

② MV 6 and SLOT 6 fit together without harnesses.  
Connection to other boards is as follows:





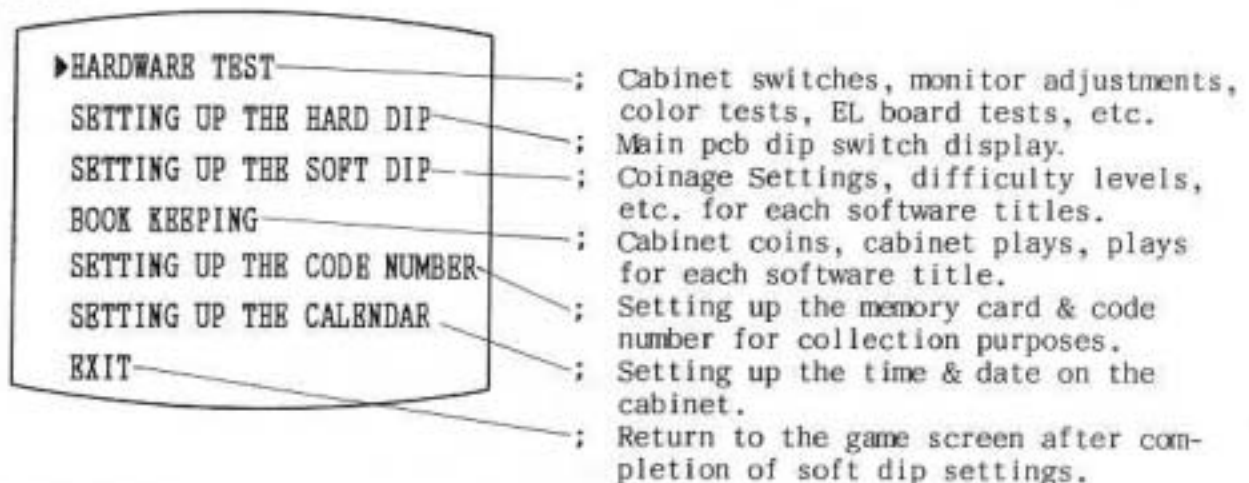
## ○ MODE SETTING

The MVS (Multi Video System) enables the dip settings to appear on the monitor instead of the dipswitch settings on conventional pcbs. It allows you to obtain collection information, game times, etc. The following are the directions on how to operate and choose settings:

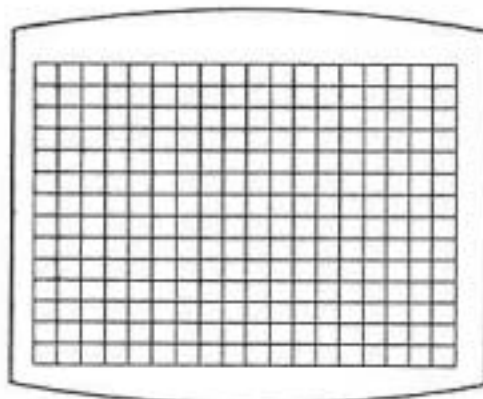
How to operate: After turning the power on, press the test switch inside the cabinet.

- ☞ Move the cursor to your selection with the joystick and press "A" button.

### MAIN MENU



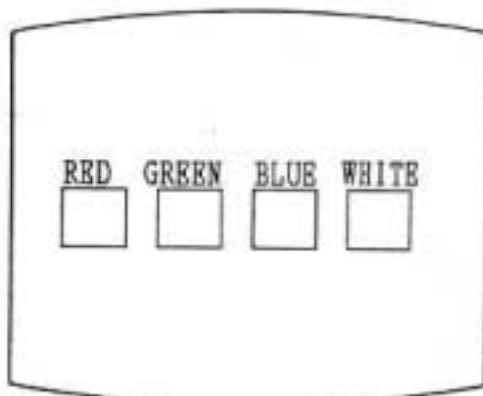
### HARDWARE TEST



; Cross Hatch



☞ Press the 1 player start button



☞ Use this screen to adjust the color on the monitor



☞ Press the 1 player start button

I/O CHECK					
	P1	P2	12345678		
UP	0	0	00000000		
DOWN	0	0			
LEFT	0	0			
RIGHT	0	0	COIN1	0	
PUSH1	0	0	COIN2	0	
PUSH2	0	0	SERVICE	0	
PUSH3	0	0			
PUSH4	0	0	EL LED1 LED2		
START	0	0	0 00 00		
SELECT	0	0			



SOUND TEST	
	SOUND OFF
	RIGHT
	LEFT
	CENTER



MEMORY CARD TEST	
	INSERT MEMORY CARD



BACKUP CLEAR	
	OK=PUSH A, B, C BUTTON

- ☑ With the dipswitch "on" the number 1 appears on the screen. With the dipswitch "off" the number 0 appears on the screen.
- ☑ Check if the number for EL on the screen is the same as the EL panel illuminated on the board.
- ☑ Check if the number of LED 1 is the same as displayed on the LED on the control panel.

- ☑ Press the 1 player start button

- ☑ The area in red on the monitor moves from "sound off" to "center" by moving the joystick up and down.
  - RIGHT Sound comes out the right side speaker
  - LEFT Sound comes out the left side speaker
  - CENTER Sound comes out both speakers

- ☑ Press the 1 player start button

- ☑ You can check if the memory card works properly by inserting it during this screen.  
NOTE: Data that was already saved on the memory card will be erased.

- ☑ Press the 1 player start button

- ☑ When you press the A, B, & C buttons simultaneously, you will clear the data.



☞ Press IP button to start

SETTING UP THE CALENDAR  
 CURRENT TIME  
 17/ 2/90 SAT  
 19:30:41  
 THE TIME TO BE SET UP  
 A BUTTON, JOYSTICK=SELECT  
 17/ 2/90 19:30:41

☞ Red number is changeable. Increase number with "A" button, decrease number with "B" button. Press "D" button when finished with setting.

☞ Press IP button to start

RETURN TO THE CROSS HATCH.

### HARD DIP SETTING

SETTING UP THE HARD DIP  
 12345678  
 SETTING MODE 1..... ON  
 FREE PLAY .0 OFF  
 COIN SWITCH ..0.... 2  
 STOP MODE .....0 OFF  
 0-OFF 1-ON

☞ Shows present state of dipswitch.

### SETTING UP THE SOFT DIP

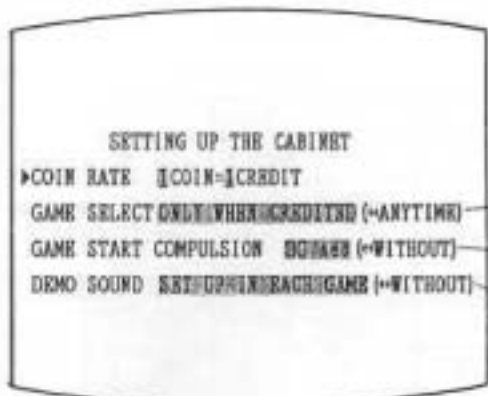
▶SETTING UP THE CABINET  
 SLOT1 NAM-1975  
 SLOT2 BASEBALL STARS  
 SLOT3 MAHJONG  
 SLOT4 TOP PLAYERS GOLF  
 SLOT5 MAGICIAN LORD

☞ Cabinet setting

; Each software setting



SETTING UP THE CABINET



☞ Move cursor to "cabinet setting" and press "A" button.

☞ Move the cursor by joystick and increase with "A" button, decrease with "B" button.

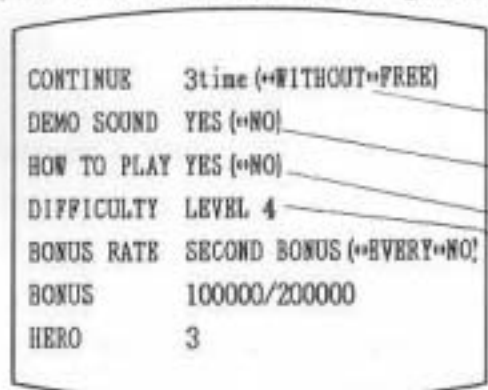
☞ On "free play", selection button works without credits. (Change with "A" button.)

☞ Setting of time limitation after inserting coin. (Change with "A", "B" button)

☞ When "without" appears, there is no sound for any of the games. (Change with "A" button)

☞ Return to previous menu with "C" button. Move cursor to the game you wish to set and press "A" button.

In the case of NAM-1975  
(In the case of each game)



☞ Software dips are slightly different by game.  
; Set number of continue plays.

☞ When there is no "demo sound" on cabinet setting, "with" will be ignored.

; With or without game play instructions  
; when game starts.

Difficulty setting. The higher the number, the more difficult.

☞ Press "C" button once to return to "Soft dip menu setting". Press "C" button again to return to main menu.  
Be sure to press "C" button after making game selection.

BOOK KEEPING



☞ Move the cursor to "Book Keeping" with joystick and press "A" button.

; Total coins of cabinet

; Total plays, number of continue plays for the cabinet

; Total plays, number of continue plays for each title

CABINET/COIN

CABINET/COIN			
	P1	P2	SERVICE
FEB/17	02244	0	25
FEB/16	04422	0	36
FEB/15	06633	0	47
FEB/14	08844	0	48
FEB/13	02399	0	29
FEB/12	05699	0	94

☞ Move the cursor to cabinet/coin with joystick and press "A" button.

☞ Weekly income chart.



☞ Press "A" button

CABINET/COIN			
	P1	P2	SERVICE
JAN	42244	0	25
FEB	44422	0	36
MAR	56633	0	47
APR	68844	0	48
MAY	72399	0	129
JUN	55699	9	294

Cabinet coins for the first 6 months of the year.



☞ Press "A" button

CABINET/COIN			
	P1	P2	SERVICE
JUL	42244	0	25
AUG	44422	0	36
SEP	56633	0	47
OCT	68844	0	48
NOV	72399	0	129
DEC	55699	0	294

Cabinet coins for the second 6 months of the year.

☞ After pressing "C" button, move the cursor to "Cabinet Play" and press "A" button.



☞ Press "A" button

CABINET/PLAY

CABINET/PLAY			
	PLAY	CONT.	AV. TIME
FEB/17	22	33	5:20
FEB/16	44	55	6:20
FEB/15	66	77	7:20
FEB/14	88	99	8:20
FEB/13	23	32	9:20
FEB/12	56	55	4:20
FEB/11	11	88	5:20



☞ Press "A" button

CABINET/PLAY			
	PLAY	CONT.	AV. TIME
JAN	42244	33363	25:20
FEB	44422	35543	36:20
MAR	56633	37773	47:20
APR	68844	39983	48:20
MAY	72399	33232	129:20
JUN	55699	15519	294:20



☞ Press "A" button

CABINET/PLAY			
	PLAY	CONT.	AV. TIME
JUL	42244	33363	25:20
AUG	44422	35543	36:20
SEP	56633	37773	47:20
OCT	68844	39983	48:20
NOV	72399	33232	129:20
DEC	55699	15519	294:20

☞ Retrieve bookkeeping information for each software title the same way as "Cabinet Coin" & "Cabinet Play".



### SETTING UP THE CODE NUMBER

CODE NUMBER SETTING  
 2408  
 D BUTTON: SET  
 CODE NUMBER WILL BE SET INTO  
 MEMORY CARD WHEN INSERTED  
 DURING THIS MODE.

☞ After pressing the "C" button twice, return to the main menu. Press "A" button after selection CODE NUMBER SETTING with the joystick.

☞ Increase numbers with the "A" button. Decrease numbers with the "B" button. Use the joystick to move left to change selected numbers. Set Code Number Setting with the "D" button.

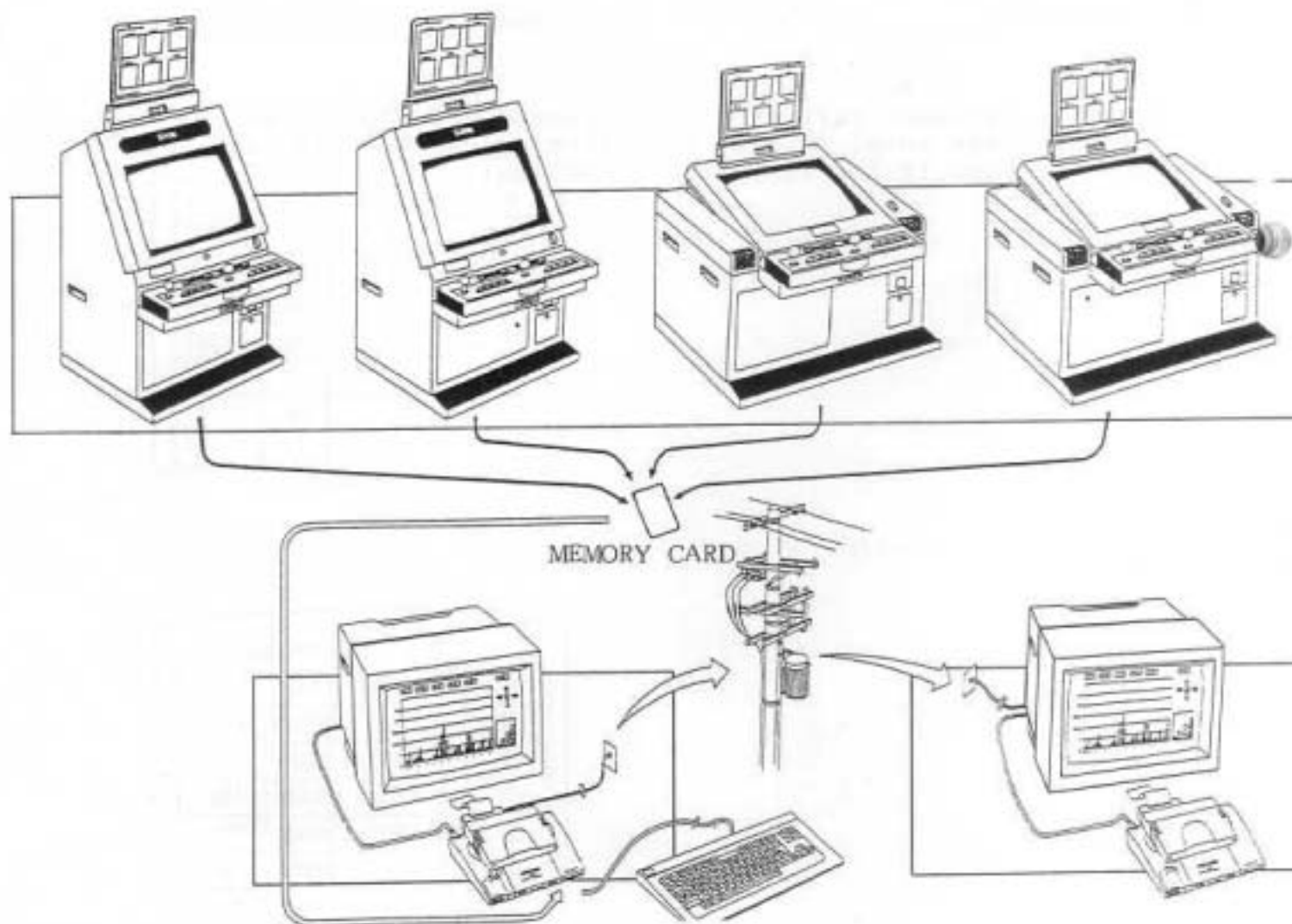
By using optional cartridge and separate NEO·GEO Rental System hardware, the total data of book keeping can be collected.  
 (See the page.11 for further information)

# ○ MULTI VIDEO INCOME TOTALIZATION SYSTEM (Book Keeping System)

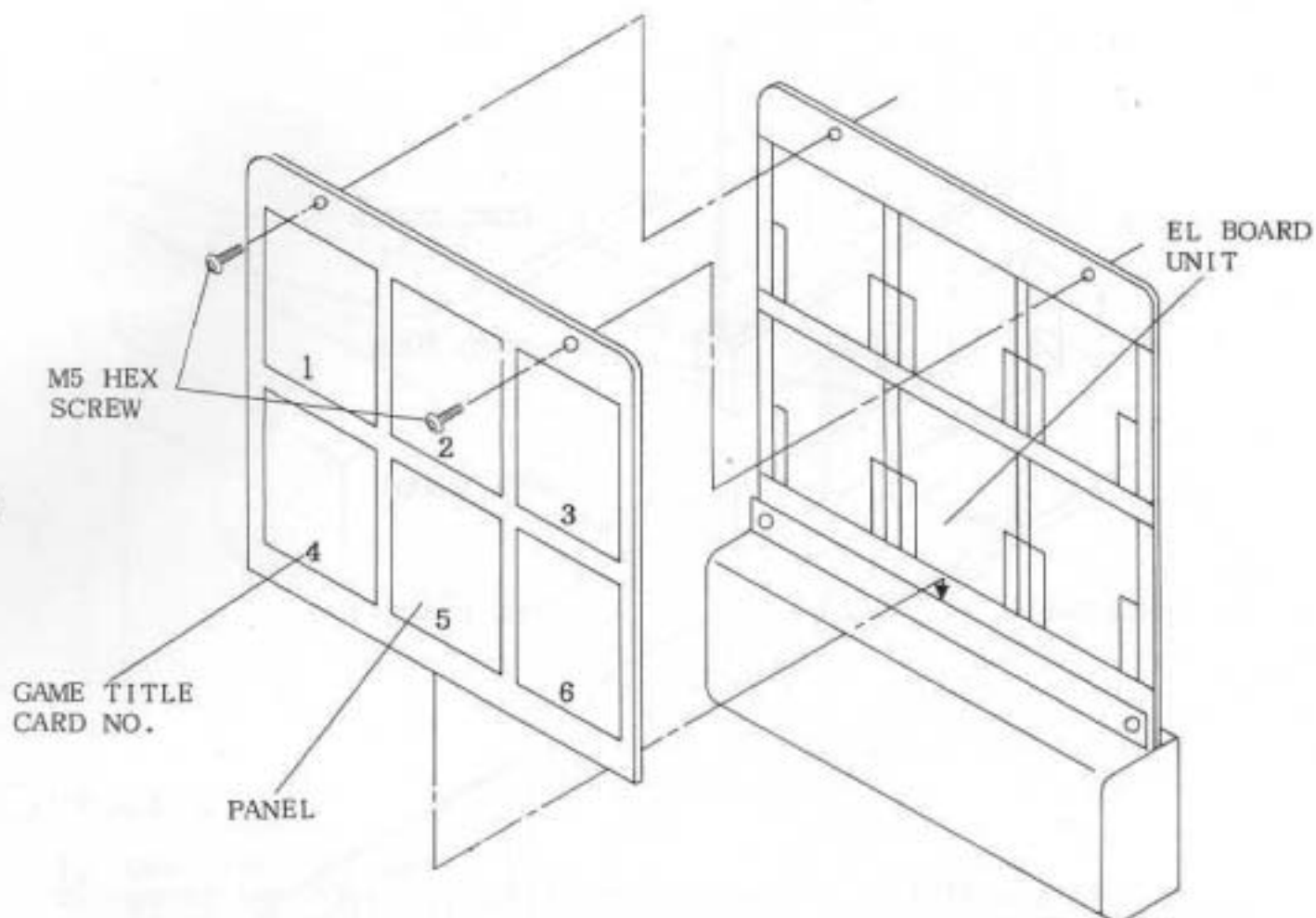
- 1) The Muti Video System (MVS) is equipped with back-up ram and calendar IC which allows the daily income data to be saved even when the power is off.
- 2) After pressing the test button and selecting "Book Keeping" from the menu, you can view the "Income Data" on the screen.
- 3) One exclusive Memory Card is capable of saving the income data of several cabinets.
- 4) The collected data from the memory card used in conjunction with the exclusive NEO GEO Rental cartridge enables you to check the entire income totals.

The income per cabinet or per game is shown on the screen. It is possible to create graphs showing the income curve and print the data on your printer.

- 5) The exclusive cartridge is equipped with a modem which can transfer data through the telephone line.
- 6) It is easy to collect the income data by saving it on the book-keeping memory card. The code number system keeps important data confidential.  
(Exclusive cartridge will be sold in the near future)



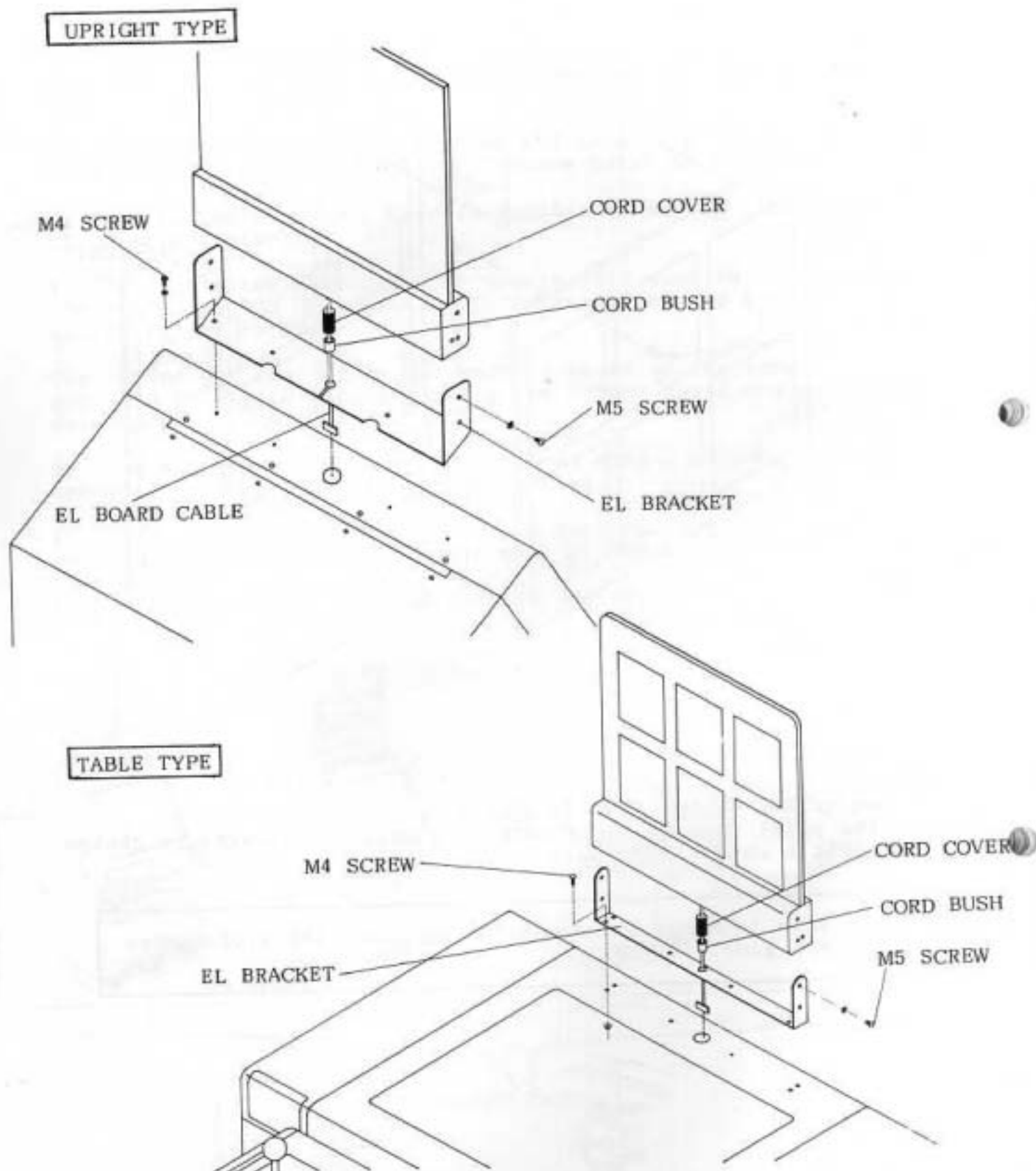
## ○ HOW TO CHANGE THE GAME TITLE CARD



Loose two screws on top (M5 HEX SCREW).  
Remove the panel from EL board unit (use attached wrench) to change the game title card.

Make sure to match the number of EL panel and slot number for each game.

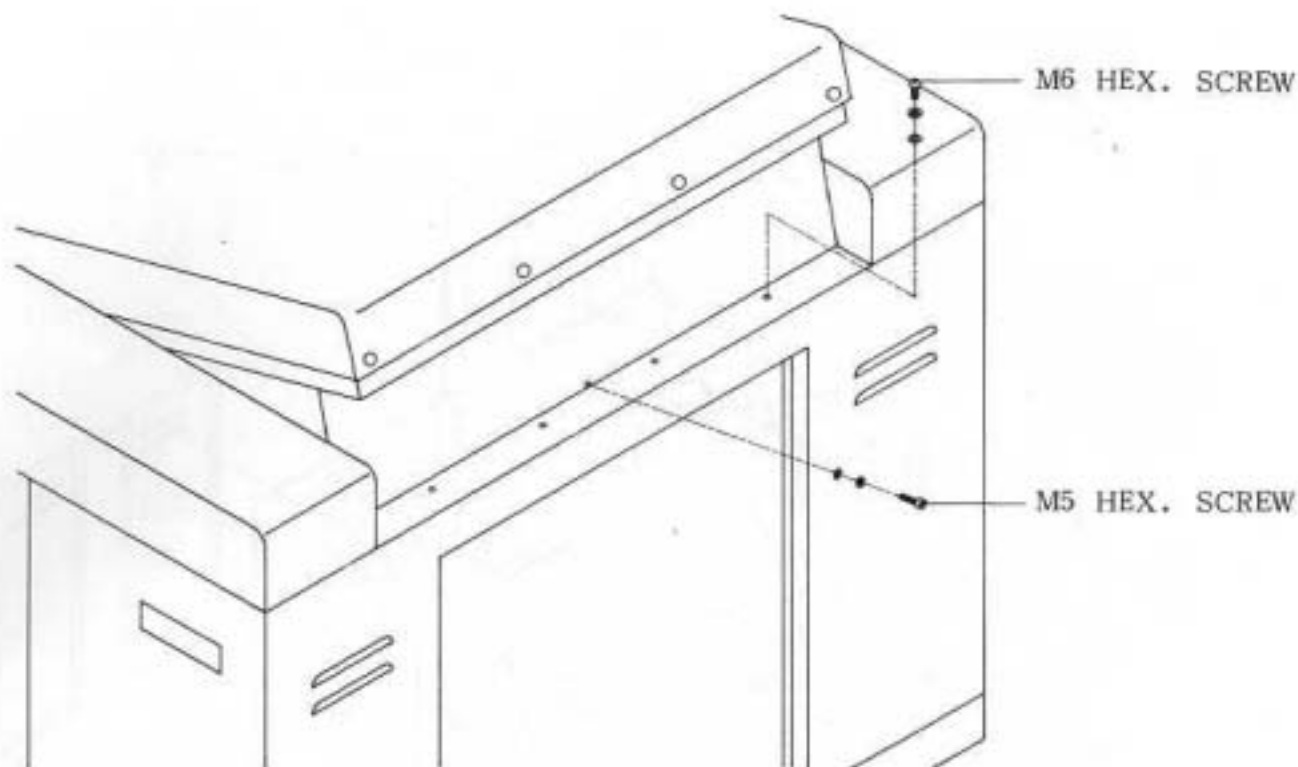
## ○ HOW TO INSTALL EL BOARD



## ○ PROCEDURE

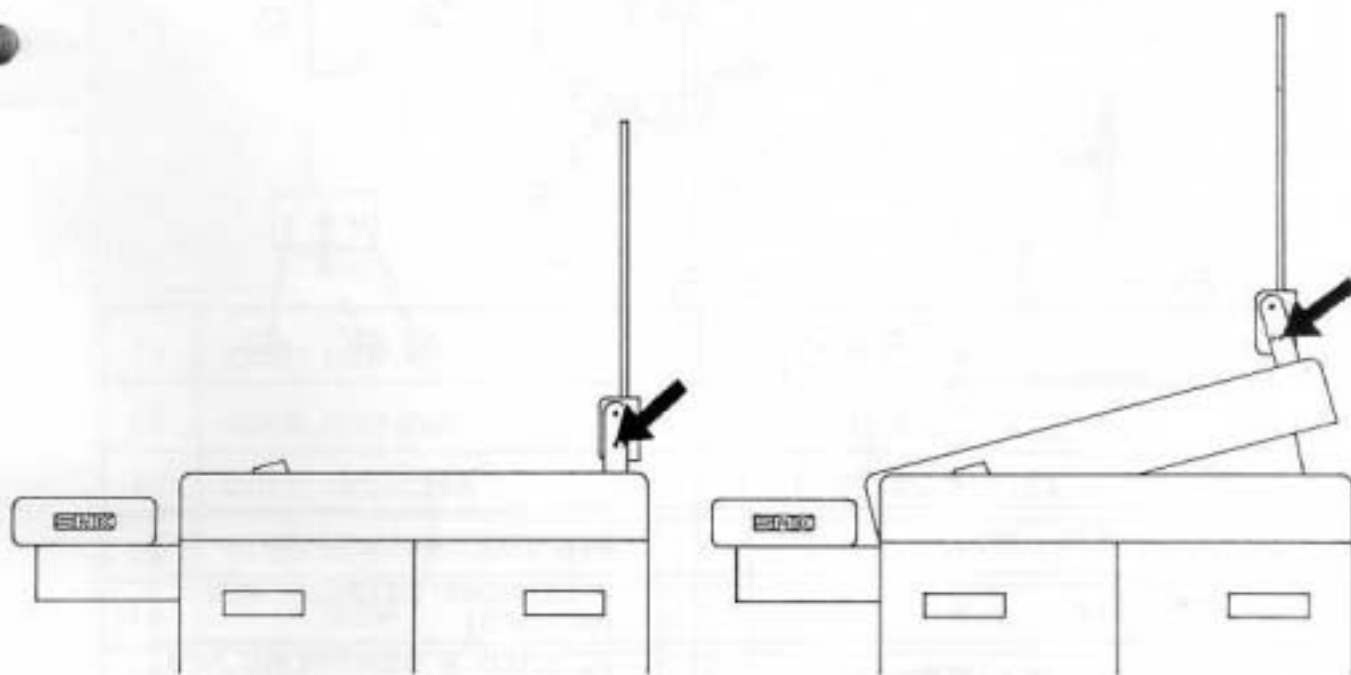
1. Put the EL board cable into the cabinet.
2. Fix the EL bracket to the cabinet with screws.  
(M4 screw X 4 for upright type / M4 screw X 6 for table type)
3. Put cord cover and cord bush through EL board cable.
4. Fix the EL board to the EL bracket. (M5 screw X 4)
5. Connect EL board cable to EL 8P of MAIN PCB.  
(See PCB drawing on page 3)

## ○ HOW TO RAISE THE SCREEN OF TABLE TYPE CABINET



## ○ PROCEDURE

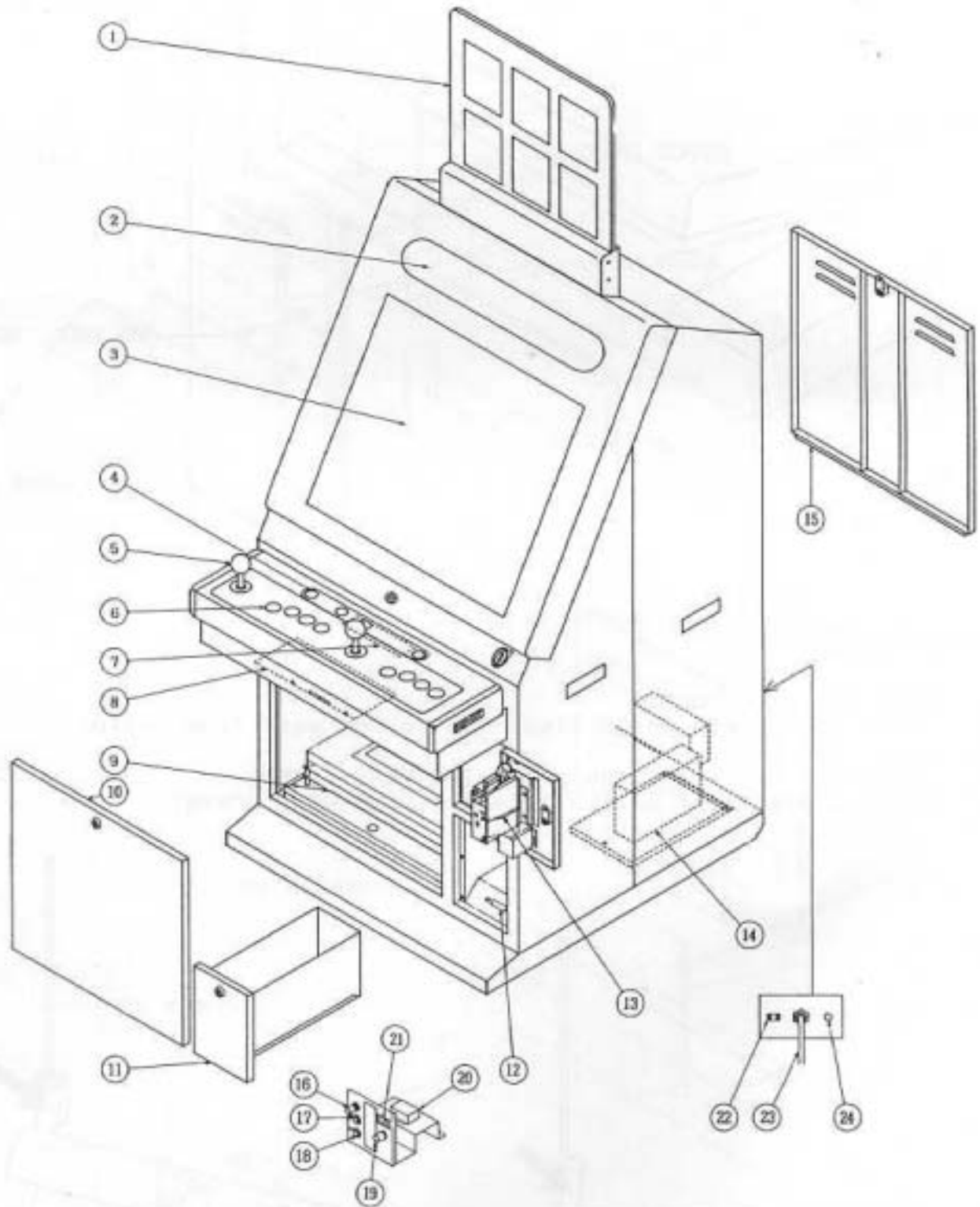
1. Open the rear door.
2. Loose the screen which fixes the screen part from inside.
3. Raise the part.
4. Screw the center of the part. (M5 HEX. SCREW)
5. Screw 4 places of the part to fix. (M6 HEX. SCREW)



Adjust the angle of EL panel by loosening the screw of EL bracket.

# ○ COMPONENT LIST

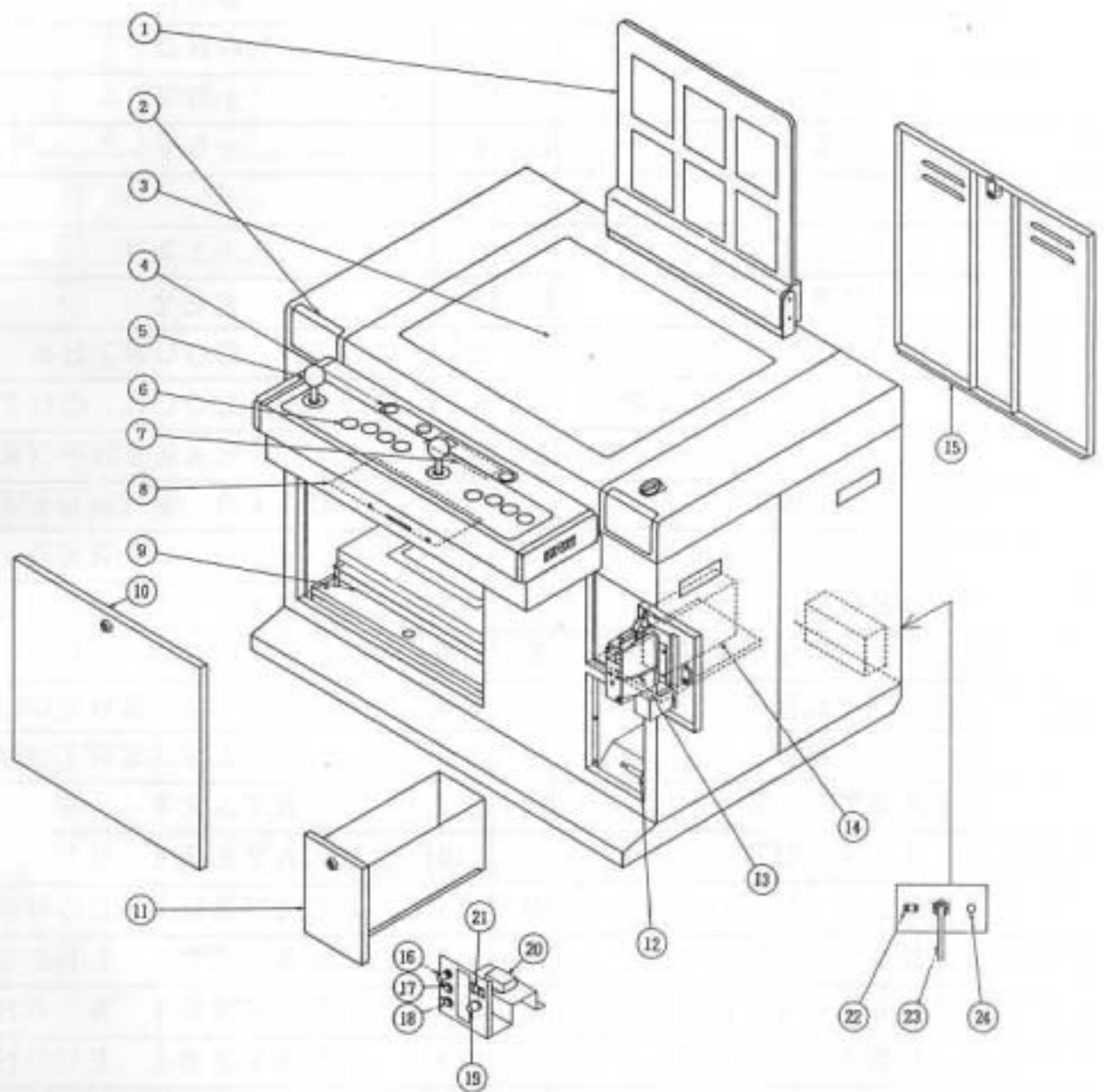
UPRIGHT TYPE



1	EL PANEL UNIT	6	φ30 PUSH BUTTON SW
2	SPEAKER	7	7 SEGMENT DISPLAY PCB (MV-LED)
3	25" CRT MONITOR	8	IC CARD & HEADPHONE PCB (MV-IC)
4	φ24 PUSH BUTTON SW	9	MAIN PCB (NEO-MVH MV6, SLOT6)
5	JOYSTICK	10	FRONT DOOR



TABLE TYPE



11	CASH BOX	18	TEST SW
12	COIN COUNTER	19	FUSE HOLDER
13	COIN SELECTER	20	NOISE FILTER
14	SWITCHING REGURATOR	21	POWER SW
15	REAR DOOR	22	AC OUTPUT
16	DEMAGNETIZING SW	23	AC CORD
17	SERVICE SW	24	GROUND TERMINAL

SOLDER SIDE	PIN #		PART SIDE
GND	A	1	GND
GND	B	2	GND
+5V	C	3	+5V
+5V	D	4	+5V
	E	5	
+12V	F	6	+12V
KEY	H	7	KEY
COIN COUNTER 2	J	8	COIN COUNTER 1
COIN LOCK OUT 2	K	9	COIN LOCK OUT 1
SPEAKER+ (L)	L	10	SPEAKER+ (R)
TEST SWITCH	M	11	AUDIO + (mono)
VIDEO GREEN	N	12	VIDEO RED
VIDEO SYNC	P	13	VIDEO BLUE
SERVICE SW	R	14	VIDEO GND
COIN SW 4 (P2/ 2)	S	15	COIN SW 3 (P1/2)
COIN SW 2 (P2/ 1)	T	16	COIN SW 1 (P1/1)
START 2	U	17	START 1
PLAYER 2 UP	V	18	PLAYER 1 UP
PLAYER 2 DOWN	W	19	PLAYER 1 DOWN
PLAYER 2 LEFT	X	20	PLAYER 1 LEFT
PLAYER 2 RIGHT	Y	21	PLAYER 1 RIGHT
PLAYER 2 PUSH 1	Z	22	PLAYER 1 PUSH 1
PLAYER 2 PUSH 2	a	23	PLAYER 1 PUSH 2
PLAYER 2 PUSH 3	b	24	PLAYER 1 PUSH 3
PLAYER 2 PUSH 4	c	25	PLAYER 1 PUSH 4
SELECT DOWN	d	26	SELECT UP
GND	e	27	GND
GND	f	28	GND

