

GRAN TRAK 10

OPERATING AND MAINTENANCE MANUAL



ATARI TRANTO

ATARI TRANTO

Service Information
(PCB Logic)



TABLE OF CONTENTS

Para.	Title	Page
1-1	Introduction	1-1
1-7	Test Equipment	1-1
1-10	Required Equipment	1-1
1-11	Optional Equipment	1-2
1-12	Troubleshooting Suggestions	1-2
1-19	PCB Adjustments	1-2
1-21	Logic Symbology	1-3
2-1	The Power Supply	2-1
2-4	+5 Volts	2-2
2-5	+18 Volts	2-2
2-6	-12 Volts	2-2
2-7	-5 Volts	2-2
2-8	The Pull-up Resistors	2-2
2-9	Buffered Start	2-2
2-11	The Oscillator	2-2
2-13	The Electronic Latch	2-2
2-19	The Credit and Start Circuit	2-3
2-24	TV Monitor Operation	2-4
2-30	Synchronization and Blanking	2-5
2-39	Screech Logic	2-7
2-41	Screech and Crash Sound Generation	2-7
2-44	Engine RPM Sound Generation	2-8
2-48	The Audio Amplifier	2-8
2-50	Speed Control	2-8
2-52	8103/72046 Input/Output Conditions	2-11
2-55	8099/72029 Input/Output Conditions	2-11
2-58	8098/72030 Input/Output Conditions	2-11
2-59	VLd1	2-11
2-61	1 STOP	2-12
2-63	Ld1B	2-12
2-65	RESET 1	2-12
2-67	Steering Control	2-12
2-73	The Steering Encoder	2-13
2-77	Crash and Playtime	2-14
2-81	The Memory Circuit	2-14
2-86	Troubleshooting the Memory Circuit	2-15
2-91	The Window Concept	2-17
2-96	Introduction to Motion	2-18
2-100	Horizontal Count	2-19
2-102	Vertical Car Motion	2-19
2-105	Horizontal Car Motion	2-20
2-108	Car Display	2-20
2-111	Race Track Display	2-21
2-116	Time and Score Storage	2-21
2-126	Video Summer	2-23

LIST OF ILLUSTRATIONS

Figure	Title	Page
2-1	The Power Supply and Buffered Start	2-1
2-2	The Oscillator	2-2
2-3	The Electronic Latch	2-3
2-4	The Credit and Start Circuit	2-4
2-5	Interlaced Roster Scan	2-5
2-6	Sync Pulse Trains	2-5
2-7	Synchronization and Blanking	2-6
2-8	Screech Logic	2-7
2-9	Screech and Crash Sound Generator	2-8
2-10	Electronic Attenuator	2-9
2-11	Engine RPM Sound Generator	2-9
2-12	The Audio Amplifier	2-9
2-13	Speed Control	2-10
2-14	VLd1	2-11
2-15	1 STOP	2-12
2-16	Ld1B	2-12
2-17	RESET 1	2-12
2-18	Steering Control	2-13
2-19	Steering Encoder	2-14
2-20	Crash and Playtime	2-15
2-21	The Memory Circuit	2-16
2-22	Basic Two-input Two-to-one Multiplexer	2-16
2-23	CRT Windows	2-18
2-24	CRT Image Motion	2-18
2-25	Horizontal Count	2-19
2-26	Vertical Car Motion	2-19
2-27	Horizontal Car Motion	2-20
2-28	Car Display	2-20
2-29	Race Track Display	2-21
2-30	Time and Score Storage	2-22
2-31	Video Summer	2-23
2-32	Computer Board Component Layout	2-26
2-33	Computer Schematic (2 sheets)	2-27/2-30

LIST OF TABLES

1-1	Logic Symbology	1-4
2-1	ROM Address Table	2-17
2-2	Check Point Truth Table	2-22
2-3	Gran Trak 10 PCB Parts List	2-24/2-25

1. GENERAL MAINTENANCE INFORMATION

1-1. INTRODUCTION

1-2. Gran Trak 10 is a new type of video game, and the operation of the new circuitry must be learned before your troubleshooting attempts will be successful. However, after the basic differences are understood, it should prove no more difficult than any other Atari printed circuit board (PCB) computer. The main differences between GT-10 and previous Atari games are the steering circuitry, the hybrid chips, the ROM (read only memory) and the power supply.

1-3. The steering circuitry is a novel bit of engineering which employs phototransistors and infrared light emitting diodes to generate pulses indicating the direction of steering wheel rotation. Fortunately, it is quite a simple circuit and easy to troubleshoot.

1-4. The hybrids are three custom chips which have been specially manufactured for this game. Troubleshooting these chips involves only verifying the correct input/output conditions and replacing the chip if the output conditions are not correct.

1-5. The ROM is another chip which has been specially programmed for GT-10 and it is used to generate the information for the display of the car, the score and game timer and the race track. Troubleshooting the ROM is probably one of the easiest tasks because it involves only unplugging the suspected chip and replacing it with a known-to-be-good ROM.

1-6. The power supply is more complicated because additional voltages are needed to operate the ROM, the hybrids and the on-board audio amplifier. Even though there are a few more voltages to check, the basic power supply troubleshooting methods remain unchanged.

1-7. TEST EQUIPMENT

1-8. Because of this new circuitry, more test equipment is required to check the PCB. An oscilloscope is an absolute necessity and a logic comparator would be a wise investment.

1-9. Some of the following instruments are absolutely essential to fully test the GT-10 PCB; others are desirable because they make the test procedures easier, but are not essential. Many of these items are available from the Atari Customer Service Department, and these items are indicated by an asterisk (*). A few others are available only

from electronics supply houses or rental agencies; however, if you have difficulty in obtaining any needed instrument, contact Atari Customer Service for assistance.

1-10. Required Equipment: Atari recommends the following as a minimum set of test equipment:

a. Logic Probe*: The logic probe is an instrument designed for checking the outputs of integrated circuits. Atari recommends the Kurz-Kasch Logic Probe, model No. LP-520. The logic probe will indicate if a signal is a logic high, low or changing from one state to the other. Consult the operating instructions included with the unit for further details on its operation.

b. Video Probe*: The video probe is a simple, but useful testing device. It consists of two IC test clips (or one clip and a test prod), a length of wire and a 4.7K, 1/4W carbon resistor. Video probes may be obtained free of charge from the Atari Customer Service Department, or, if necessary, they can be assembled from standard parts available at any electronics supply house. To use the video probe, attach one clip to the negative side of the video coupling capacitor (C44) and clip or touch the other end to the desired signal test points as indicated in the following pages. The VP will display the signal directly on the CRT.

c. The Oscilloscope: The oscilloscope is used for viewing various waveforms. The application requires at least a 50 MHz scope and a dual trace unit to facilitate comparison between waveforms is desirable. Atari's specific recommendation is the Tektronix model No. 465, 100 MHz dual trace oscilloscope.

d. Atari Universal Test Fixture: The Atari Universal Test Fixture can be used to test the computer boards for Pong, Pong Doubles, Super Pong, Rebound, Space Race, Gotcha, and Quadrapong. This test fixture is equipped with a 12 inch TV monitor, two 5 volt BNC connectors for use where a regulated 5 volt source is required, and all the controls necessary to operate the computer boards. Connector cables must be ordered separately for each different type of PCB to be tested. The test fixture and cables are only available through the Atari Customer Service Department.

1-11. Optional Equipment: The following pieces of test equipment are not essential but will make your troubleshooting easier.

a. The Logic Comparator*: This compact troubleshooting instrument will prove invaluable in verifying correct IC operation. The unit simply clips onto in-circuit ICs and instantly displays any logic state difference between the in-circuit test IC and the reference IC in the comparator. Logic differences are identified to the specific pin by a lighted LED. If this instrument is purchased from the Atari Customer Service Department, it will be shipped with 20 pre-programmed reference boards. If the instrument is purchased elsewhere, you will have to program the boards yourself. Atari recommends either the Hewlett Packard 10529A comparator or the Fluke comparator.

b. The Logic Pulser*: The logic pulser is used to stimulate in-circuit ICs so they are driven to their opposite states and we recommend the Hewlett Packard 10526T pulser.

1-12. TROUBLESHOOTING SUGGESTIONS

1-13. The first step in the troubleshooting process is to correctly identify the observable symptoms of the malfunction and then to narrow down the possibly malfunctioning areas as much as you can. This should reduce the situation to one or two functional blocks which might be at fault. Then start examining these functional blocks with your test instruments and compare the results with the operational analysis and test point information under the heading of that functional block. Keep in mind, however, that the first observable symptoms of a malfunction are not necessarily due to the functional block which produced those symptoms. A failure in one part of the PCB may affect much, if not all, of the PCB.

1-14. Some malfunctions may produce symptoms which are not clearly attributable to one component. Sync problems can be especially nasty in this regard because you can spend quite some time verifying the presence of correct sync signals on the board only to discover it is the monitor which is distorting sync.

1-15. For these problems, use substitution as a troubleshooting technique. For instance, to clearly identify which component is at fault in a sync problem, try substituting a known-to-be-good TV monitor. If you have built a test fixture, plug the suspected board into the fixture and if the sync problem disappears, the other TV must have been the

cause. Conversely, had the problem not disappeared, the substitution test would have revealed a malfunctioning board and you would begin the troubleshooting process at the sync section.

1-16. The same technique can be used to test the Read Only Memory (ROM) which is inserted in a plug-in type receptacle to facilitate the substitution test. If you have a problem with the car image, the race track display or the score or timer displays, try inserting another and known-to-be-good ROM and if this clears up the malfunction, leave it there. However, we must note that the ROM failure rate has been extremely low so it is more likely that a display problem is located in either the ROM address circuitry or the display circuits.

1-17. There are a few other problems which need mentioning because, while they may at first appear to be board related, closer examination will reveal they are location related. If the ac line voltage fluctuates enough, the electronic latch will turn off game credit. One cause of this may be a large load connected to the same line as the machine. For example, a large air conditioner while starting up may drop the line voltage enough to break the electronic latch. Another cause may be that the line voltage drops at certain peak times of the day (e.g., dusk). Local ac power is suspect in any malfunction which occurs on an intermittent basis.

1-18. Another game credit problem which may be either constant or intermittent in nature is a maladjusted antenna wire. The antenna wire is connected to the electronic latch and, if the wire is too long, game credit may be accidentally turned off, especially if the machine is in a carpeted location.

1-19. PCB ADJUSTMENTS

1-20. Most of the PCB adjustments are quite simple and only involve changing a slide switch to the desired position or adjusting a small blue trim pot "by ear". A few others, however, are more complex and require an oscilloscope or, preferably, a frequency counter. This section contains only the adjustment procedures; consult the text for a fuller understanding of how these adjustments affect their associated circuits. See Figure 2-32 for the location of the PCB adjustments.

a. Test Switch: While you are testing the PCB, you may wish to set this switch to the TEST position which will freeze the game timer and disable the crash mode. Always return the switch to the PLAY position before placing the PCB back in operation.

b. 1P-2P Switch: If this switch is set to the 1P position, the player will receive one game per each coin he deposits; if set to the 2P position, he will receive two games.

c. Volume Adjustment: This pot controls the gain of the audio amplifier. Adjust the volume to the preference of the location, and keep in mind that the machine will sound louder with the door off.

d. Play Time Adjustment: This pot controls both the total game length and the crash time period. The play time counter (to the right of the lap score in the pit area) always begins counting down from 78 by 2's. Adjusting the play time pot causes the game counter to count down slower or faster. Adjusting for a longer game will also increase the length of the crash time, and affect score interpretation per the "rating card" posted on front of the CRT.

e. Speed Adjustment: This adjustment controls the maximum velocity of the car. You must have either a logic probe or an oscilloscope to perform this adjustment. Attach the probe to B2-9 and adjust the pot until the signal ($\overline{1\text{ STOP}}$) goes completely high when the car is traveling at maximum speed in third gear.

f. "A" Adjustment: You must have an oscilloscope or a frequency counter to adjust the following three engine sounds (A, B & C). Clip the test instrument to C8-3 (the square wave output pin)

and adjust the A pot for a 13 ms square wave or a frequency counter reading of 73 Hz.

g. "B" Adjustment: Clip test instrument to D8-3 and adjust the pot for a 3.07 ms square wave or a frequency of 325 Hz.

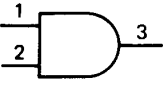
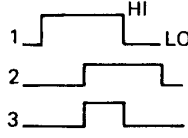

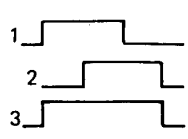
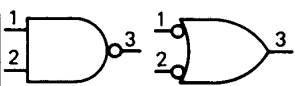
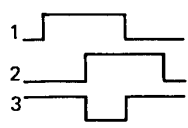
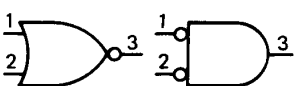
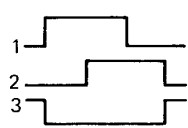
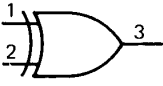
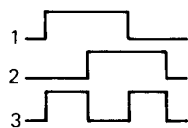
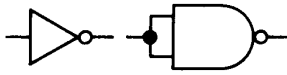

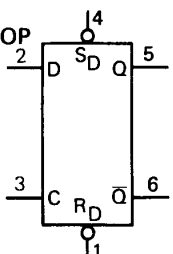
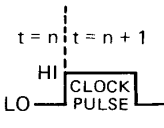
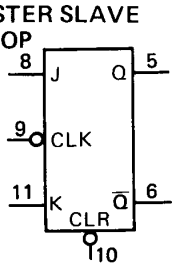
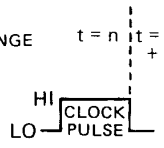
h. "C" Adjustment: Clip test instrument to E8-3 and adjust the pot for a 7.42 ms square wave or a frequency of 412 Hz.

i. Screech Adjustment: This pot adjusts both the screech and crash sounds simultaneously. Adjust the pot by ear for the best sound output.

1-21. LOGIC SYMBOLOGY

1-22. Table 1-1 describes the operation of the most common logic circuits found on the computer board. Those not covered in the table are explained at their first appearance in the computer board circuit description in Section 2. Logic circuits are identified in the text and on the schematic by their actual grid location on the PCB and their output pin number (e.g., gate A6-3 would be the gate with output pin 3 in the logic package at location A6 on the PCB). The logic levels on the PCB are 0 to +0.4 volts for LO and +2.6 to +5 volts for HI. Signal names overscored (e.g., $\overline{\text{START}}$ and pronounced "start not") go LO to initiate events and those not overscored go HI when active. Overscored signals are always at the logic level opposite to that of their non-overscored counterparts (i.e., $\overline{\text{START}}$ is always at a logic level opposite to START).

Table 1-1. Logic Symbology

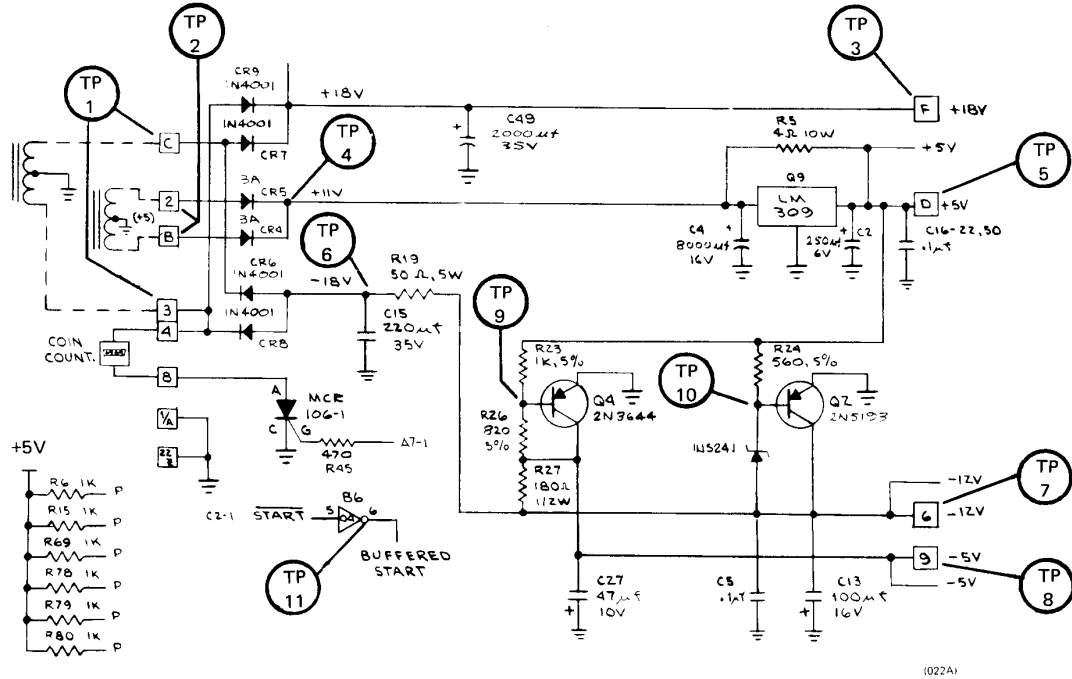
SYMBOL	TRUTH TABLE/TIMING	OPERATION																												
AND GATE 	<table border="1"> <thead> <tr> <th>1</th> <th>2</th> <th>3</th> </tr> </thead> <tbody> <tr> <td>LO</td> <td>LO</td> <td>LO</td> </tr> <tr> <td>LO</td> <td>HI</td> <td>LO</td> </tr> <tr> <td>HI</td> <td>LO</td> <td>LO</td> </tr> <tr> <td>HI</td> <td>HI</td> <td>HI</td> </tr> </tbody> </table> 	1	2	3	LO	LO	LO	LO	HI	LO	HI	LO	LO	HI	HI	HI	<p>Output is HI only when <u>all</u> inputs are HI, otherwise output is LO. Rule applies for any number of inputs.</p>													
1	2	3																												
LO	LO	LO																												
LO	HI	LO																												
HI	LO	LO																												
HI	HI	HI																												
OR GATE 	<table border="1"> <thead> <tr> <th>1</th> <th>2</th> <th>3</th> </tr> </thead> <tbody> <tr> <td>LO</td> <td>LO</td> <td>LO</td> </tr> <tr> <td>LO</td> <td>HI</td> <td>HI</td> </tr> <tr> <td>HI</td> <td>LO</td> <td>HI</td> </tr> <tr> <td>HI</td> <td>HI</td> <td>HI</td> </tr> </tbody> </table> 	1	2	3	LO	LO	LO	LO	HI	HI	HI	LO	HI	HI	HI	HI	<p>Output is HI when any input is HI. Output is LO only when <u>all</u> inputs are LO.</p>													
1	2	3																												
LO	LO	LO																												
LO	HI	HI																												
HI	LO	HI																												
HI	HI	HI																												
NAND GATE 	<table border="1"> <thead> <tr> <th>1</th> <th>2</th> <th>3</th> </tr> </thead> <tbody> <tr> <td>LO</td> <td>LO</td> <td>HI</td> </tr> <tr> <td>LO</td> <td>HI</td> <td>HI</td> </tr> <tr> <td>HI</td> <td>LO</td> <td>HI</td> </tr> <tr> <td>HI</td> <td>HI</td> <td>LO</td> </tr> </tbody> </table> 	1	2	3	LO	LO	HI	LO	HI	HI	HI	LO	HI	HI	HI	LO	<p>Output is LO only when <u>all</u> inputs are HI, otherwise output is HI.</p>													
1	2	3																												
LO	LO	HI																												
LO	HI	HI																												
HI	LO	HI																												
HI	HI	LO																												
NOR GATE 	<table border="1"> <thead> <tr> <th>1</th> <th>2</th> <th>3</th> </tr> </thead> <tbody> <tr> <td>LO</td> <td>LO</td> <td>HI</td> </tr> <tr> <td>LO</td> <td>HI</td> <td>LO</td> </tr> <tr> <td>HI</td> <td>LO</td> <td>LO</td> </tr> <tr> <td>HI</td> <td>HI</td> <td>LO</td> </tr> </tbody> </table> 	1	2	3	LO	LO	HI	LO	HI	LO	HI	LO	LO	HI	HI	LO	<p>Output is LO when any input is HI. Output is HI only when <u>all</u> inputs are LO.</p>													
1	2	3																												
LO	LO	HI																												
LO	HI	LO																												
HI	LO	LO																												
HI	HI	LO																												
EXCLUSIVE OR GATE 	<table border="1"> <thead> <tr> <th>1</th> <th>2</th> <th>3</th> </tr> </thead> <tbody> <tr> <td>LO</td> <td>LO</td> <td>LO</td> </tr> <tr> <td>LO</td> <td>HI</td> <td>HI</td> </tr> <tr> <td>HI</td> <td>LO</td> <td>HI</td> </tr> <tr> <td>HI</td> <td>HI</td> <td>LO</td> </tr> </tbody> </table> 	1	2	3	LO	LO	LO	LO	HI	HI	HI	LO	HI	HI	HI	LO	<p>Output is HI when <u>either but not both</u> inputs are HI, otherwise output is LO.</p>													
1	2	3																												
LO	LO	LO																												
LO	HI	HI																												
HI	LO	HI																												
HI	HI	LO																												
INVERTERS 		<p>The 2-input NAND or NOR gate can be used as inverters by tying one input to a fixed level or tying both inputs together.</p>																												
D-TYPE FLIP-FLOP 	<table border="1"> <thead> <tr> <th colspan="2">t = n</th> <th colspan="2">t = n + 1</th> </tr> <tr> <th>D</th> <th>Q</th> <th>D</th> <th>Q</th> </tr> </thead> <tbody> <tr> <td>LO</td> <td>LO</td> <td>LO</td> <td>LO</td> </tr> <tr> <td>LO</td> <td>HI</td> <td>LO</td> <td>LO</td> </tr> <tr> <td>HI</td> <td>LO</td> <td>HI</td> <td>HI</td> </tr> <tr> <td>HI</td> <td>HI</td> <td>HI</td> <td>HI</td> </tr> </tbody> </table>  <p>Truth Table valid only when S_D and R_D are both HI</p>	t = n		t = n + 1		D	Q	D	Q	LO	LO	LO	LO	LO	HI	LO	LO	HI	LO	HI	HI	HI	HI	HI	HI	<p>When both S_D (direct set) and R_D (direct reset) are HI, level at input D is transferred to output Q when input C (clock) goes HI. A LO on S_D forces Q HI and \bar{Q} LO. A LO on R_D forces \bar{Q} HI and Q LO. S_D and R_D predominate over all other inputs.</p>				
t = n		t = n + 1																												
D	Q	D	Q																											
LO	LO	LO	LO																											
LO	HI	LO	LO																											
HI	LO	HI	HI																											
HI	HI	HI	HI																											
J-K MASTER SLAVE FLIP-FLOP 	<table border="1"> <thead> <tr> <th colspan="2">t = n</th> <th colspan="2">t = n + 1</th> </tr> <tr> <th>J</th> <th>K</th> <th>Q</th> <th>Q</th> </tr> </thead> <tbody> <tr> <td>LO</td> <td>LO</td> <td>—</td> <td>NO CHANGE</td> </tr> <tr> <td>LO</td> <td>HI</td> <td>—</td> <td>LO HI</td> </tr> <tr> <td>HI</td> <td>LO</td> <td>—</td> <td>HI LO</td> </tr> <tr> <td>HI</td> <td>HI</td> <td>LO</td> <td>HI LO</td> </tr> <tr> <td>HI</td> <td>HI</td> <td>HI</td> <td>LO HI</td> </tr> </tbody> </table>  <p>Truth Table valid only when CLR is HI</p>	t = n		t = n + 1		J	K	Q	Q	LO	LO	—	NO CHANGE	LO	HI	—	LO HI	HI	LO	—	HI LO	HI	HI	LO	HI LO	HI	HI	HI	LO HI	<p>When CLR is HI and:</p> <ol style="list-style-type: none"> J and K are both LO, clock pulse has no effect on outputs Q and \bar{Q}. J and K are at opposite logic levels, negative-going clock edge transfers J level to Q and K level to \bar{Q}. J and K are both HI, each negative-going clock edge alternates outputs Q and \bar{Q}. LO on CLR forces and holds Q LO and \bar{Q} HI.
t = n		t = n + 1																												
J	K	Q	Q																											
LO	LO	—	NO CHANGE																											
LO	HI	—	LO HI																											
HI	LO	—	HI LO																											
HI	HI	LO	HI LO																											
HI	HI	HI	LO HI																											

2. CIRCUIT DESCRIPTION

2-1. THE POWER SUPPLY

2-2. The power supply for GT-10 is a bit more complicated than in previous games because additional voltages are needed to operate new circuitry. The normal +5 volts is still used to power most of the ICs; however, the ROM requires -12 volts and the hybrids need -5 volts and -12 volts. The +18 volt source is used only to drive the audio amplifier.

2-3. The four circuits which generate the different voltages are very similar. See Figure 2-1. First, the 110 VAC line voltage is stepped down by the transformer(s) to 32 VAC and 16 VAC. These secondary voltages are then processed by the on-board power supply components to generate the DC supplies.



TP 1: OSCILLOSCOPE: 32 VAC
VOM/VTVM: 32 VAC

TP 2: OSCILLOSCOPE: 16 VAC
VOM/VTVM: 16 VAC

TP 3: OSCILLOSCOPE: + 18 VDC
VOM/VTVM: + 18 VDC

TP 4: OSCILLOSCOPE: + 11V PEAK
VOM/VTVM: + 8.5 VDC

TP 5: LOGIC PROBE: High
OSCILLOSCOPE: + 5 VDC
VOM/VTVM: + 5 VDC

TP 6: OSCILLOSCOPE: - 18 PEAK
VOM/VTVM: - 15.5 VDC

TP 7: OSCILLOSCOPE: - 12 VDC
VOM/VTVM: - 12 VDC

TP 8: OSCILLOSCOPE: - 5 VDC
VOM/VTVM: - 5 VDC

TP 9: OSCILLOSCOPE: - 0.6 VDC
VOM/VTVM: - 0.6 VDC

TP 10: OSCILLOSCOPE: - 1.0 VDC
VOM/VTVM: - 1.0 VDC

TP 11: LOGIC PROBE: High pulse when the start switch is operated.
OSCILLOSCOPE: High pulse when the start switch is operated.

Figure 2-1. The Power Supply and Buffered Start

2-4. **+5 Volts:** To create the regulated +5 volts needed by the ICs (and other components as well), the 16 VAC waveform at edge connector pins 2 and B is full-wave rectified by diodes CR4 and CR5. The resulting DC voltage is then filtered by capacitor C4 and then regulated to a constant +5 volts by the LM 309 voltage regulator.

2-5. **+18 Volts:** The 32 VAC waveform at pins 3 and C is rectified by CR7 and CR9, filtered by C49 and taken directly to the audio amplifier.

2-6. **-12 Volts:** Because the cathodes of CR6 and CR8 are wired to the transformer secondary, the resulting voltage will be negative with respect to ground. This waveform is filtered by C15 and then lowered to -12 volts by R19. The resulting voltage is regulated by transistor Q2 which acts like a shunt regulator to keep the voltage constant with respect to current.

2-7. **-5 Volts:** This circuit works similarly to the -12 volt circuit. Resistor R27 drops the -12 volts to -5 volts which is filtered by C27 and regulated by Q4.

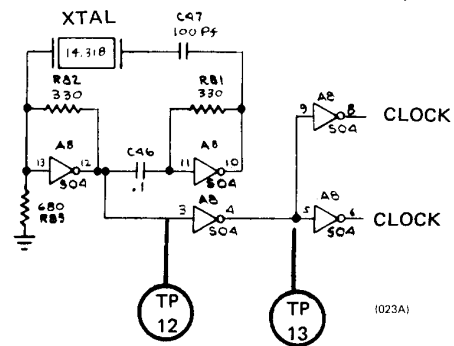
2-8. **The Pull-up Resistors:** The pull-up resistors (R6, R15, R69, etc. and denoted by the schematic symbol "P") are used to provide a logic high source for inputs to ICs which need to be tied high. The resistor limits the total current drain through the LM 309.

2-9. BUFFERED START

2-10. In order to prevent a high, and possibly destructive, inductive kickback when the coil of the game counter is de-energized, a buffered start circuit has been incorporated so that the game counter is now tripped by a silicon controlled rectifier (MCR 106-1). $\overline{\text{START}}$ is inverted by B6 and this output is connected to the gate input of the rectifier. When the signal goes high, the silicon controlled rectifier conducts, thereby energizing the coil of the game counter. On the next half-cycle of the AC current, the rectifier is shut off by the AC waveform and the coil is de-energized.

2-11. THE OSCILLATOR

2-12. Since the operation of the computer is synchronous, it requires a master timing signal which is provided by the oscillator and known as the **CLOCK**. See Figure 2-2. The crystal oscillator generates a 14.318 MHz clock and it is kept oscillating by two closed-loop amplifiers which consist of a 330 ohm, 1/4 watt feedback resistor and an inverter. These amplifiers are coupled together by a 0.1 uf capacitor (C46) and they operate out of phase with respect to each other. Inverter A8-4 is used as a buffer-amplifier and inverters A8-6 and A8-8 expand the oscillator's loading capacity. The clock signal is sinusoidal in form.



- TP 12: LOGIC PROBE: High, low and pulsing.
OSCILLOSCOPE: 14 MHz sine wave.
- TP 13: LOGIC PROBE: High, low and pulsing.
OSCILLOSCOPE: Same as TP 12, except out of phase.

Figure 2-2. The Oscillator

citor (C46) and they operate out of phase with respect to each other. Inverter A8-4 is used as a buffer-amplifier and inverters A8-6 and A8-8 expand the oscillator's loading capacity. The clock signal is sinusoidal in form.

2-13. THE ELECTRONIC LATCH

2-14. The electronic latch permits the starting of a new game when the coin is deposited and prevents the start of a game if the player attempts to obtain free game credit by inducing a static charge in the machine. See Figure 2-3 for the following discussion.

2-15. The control of game credit is accomplished by the presetting of the attract flip-flop C7-5 (see the credit and start circuit, Figure 2-4). Whenever the output of the latch circuit, signal Q, is high, the attract signal (ATRC) will also be high. If ATRC goes high, the computer is reset back to the ATTRACT mode and the game ends. In order for the game to begin, the electronic latch must be "latched" and signal Q must be low.

2-16. The latch cycle is started when $\overline{\text{COIN}}$ (the normally high output of the credit circuit) goes low as the coin is deposited. This low takes the base of transistor Q6 low which causes the collector of that transistor to go high. This, in turn, causes Q8 to turn on and its collector goes low. Since the collector of Q8 is tied to $\overline{\text{COIN}}$, it keeps the latch circuit low even after $\overline{\text{COIN}}$ returns high as the coin switch is released. The circuit is now said to be "latched" and will remain in the latched condition until shut off by a low R signal or a high antenna signal.

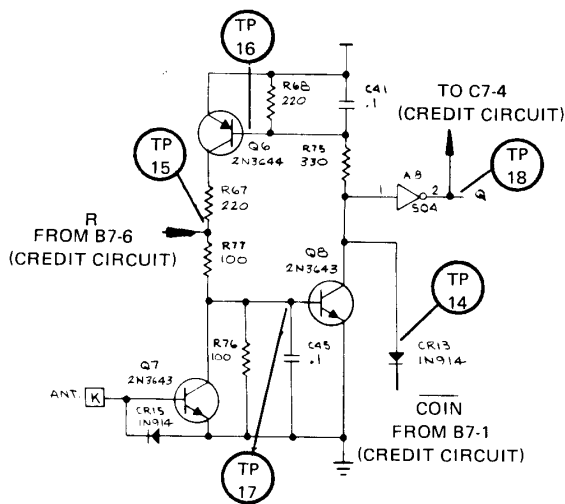


Figure 2-3. The Electronic Latch

- TP 14: LOGIC PROBE: High going low when coin switch is operated.
OSCILLOSCOPE: Same as Logic Probe.
- TP 15: LOGIC PROBE: High during game and low at game over.
OSCILLOSCOPE: Same as Logic Probe.
- TP 16: OSCILLOSCOPE: +5 volts until coin switch is operated; then drops to approximately +1 volt.
- TP 17: OSCILLOSCOPE: 0 volts until coin switch is operated, at which time it rises to +.8 volts and remains there until game over.
- TP 18: LOGIC PROBE: High during game mode; low during attract mode.
OSCILLOSCOPE: Same as Logic Probe.

1024A1

2-17. R is the credit signal from B7-6 in the credit circuit. A low R drags the base of Q8 low and, since Q8 can no longer conduct, the latch cycle is broken. This toggles the attract flip-flop and resets the computer to the ATTRACT mode.

2-18. The same type of process is used to prevent players from gaining free game credit by inducing a static charge in the machine. When a large enough static charge is discharged to the machine, the antenna wire picks up the necessary current to create a high at the base of Q7. This causes Q7 to conduct and the low at its collector turns off Q8 and breaks the latch cycle.

2-19. THE CREDIT AND START CIRCUIT

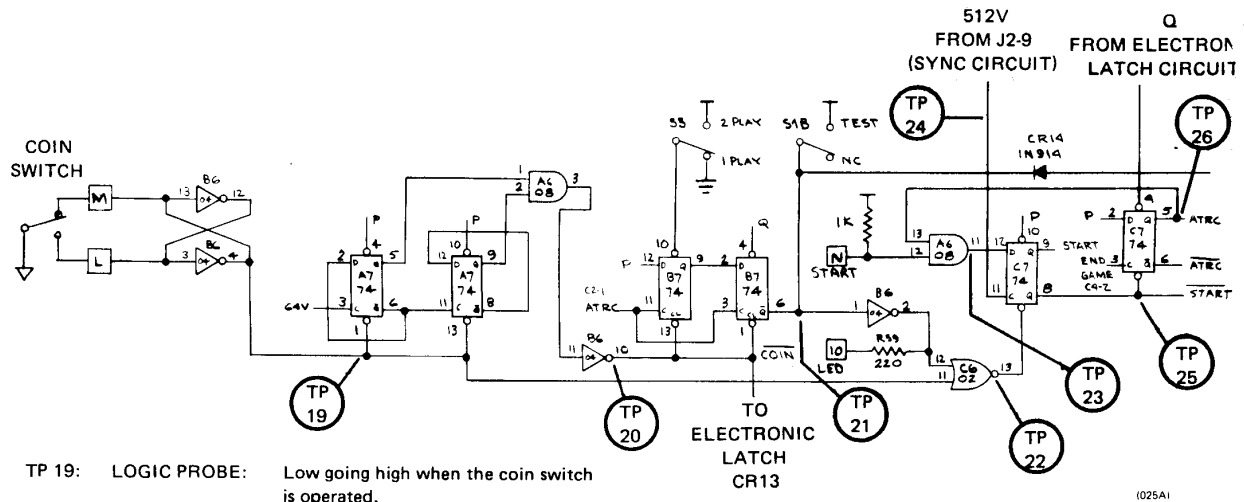
2-20. The credit portion of this circuit records the deposit of the coin and lights the credit lamp (LED). This provides game credit to the start circuit which is operated by the player to reset the PCB and begin the new game. The circuit is shown in Figure 2-4.

2-21. The deposited coin closes the normally-open side of the coin micro-switch, and the outputs of this switch are inverted by a debouncing circuit consisting of the two B6 inverters. The debouncing circuit eliminates undesired impulses created by the chattering of the coin switch contacts. The debouncing circuit outputs enter the clear inputs of flip-flops A7. These two flip-flops constitute an anti-cheat device, designed so that incidental or player-induced vibrations which may operate the coin switch trip wire will not produce game credit. In order to get the correct outputs from the A7 flip-flops, the coin switch contacts must make

for at least 128 horizontal sync pulses, or about 9 milliseconds. Since most incidental or player-induced vibrations produce a coin switch make of only a few microseconds, the Q outputs of the flip-flops will not go high and no game credit will result.

2-22. However, if a coin is deposited, both A7 flip-flops are enabled, and when both of the Q outputs are high, pin 3 of AND gate A6 will also go high. This produces a low at pin 10 of inverter B6 which clears both B7 flip-flops. If the 1P/2P switch (1 play or 2 plays per coin) is set to the 1P mode, the preset input (pin 10) of B7 is held low and when COIN returns high, a high will appear at the Q output (pin 9) of B7. However, if the switch is set to the 2P position, when COIN goes low, the Q output (B7-9) will go low and stay low until the high at the D input (B7-12) is clocked through by the ATRC signal. A low also appears at the Q output (B7-6) which is inverted at B6-2 and lights the credit LED. The same signal which cleared the B7 flip-flops (COIN) also drags the collector of transistor Q8 low and turns on the electronic latch (see Figure 2-3) which enables the attract flip-flop C7 at pin 4. Since the credit lamp must be lighted to enable gate C6, and since C6 enables the start flip-flop C7, the game cannot be started unless the credit lamp is lighted.

2-23. When the START switch is operated, pin 12 of AND gate A6 is pulled high by its 1K pull-up resistor, and since the ATRC line (A6-13) is already high, pin 11 of A6 will go high. This produces a high at the D input of start flip-flop C7 at pin 12. Since the clock input of this flip-flop is connected to vertical sync at 512V (J2-9), the high at the D input will be clocked out when 512V goes high and this is the START signal. Meanwhile, START goes low and



- TP 19: LOGIC PROBE: Low going high when the coin switch is operated.
 OSCILLOSCOPE: Same as Logic Probe.
- TP 20: LOGIC PROBE: High before coin switch is operated and high, low and pulsing while switch is held in the operated position.
 OSCILLOSCOPE: High before coin switch is operated and high with low-going pulses 4.6 ms wide occurring every 12.5 ms while coin switch is held in the operated position.
- TP 21: LOGIC PROBE: Low before coin switch is operated and high thereafter until game over.
 OSCILLOSCOPE: Same as for Logic Probe.
- TP 22: LOGIC PROBE: Low going high when coin switch is operated.
 OSCILLOSCOPE: Same as Logic Probe.

- TP 23: LOGIC PROBE: Low going high when the start switch is operated. Stays high during game.
 OSCILLOSCOPE: Same as Logic Probe.
- TP 24: LOGIC PROBE: Low and pulsing.
 OSCILLOSCOPE: High pulses 0.28 ms wide occurring every 16.7 ms.
- TP 25: LOGIC PROBE: High with a low going pulse when the start switch is operated.
 OSCILLOSCOPE: Same as Logic Probe, except note that the low-going pulse is about 15 ms.
- TP 26: LOGIC PROBE: High during attract mode and low during game mode.
 OSCILLOSCOPE: Same as Logic Probe.

Figure 2-4. The Credit and Start Circuit

clears C7 at pin 1. This produces a low at the attract flip-flop output which returns to shut off gate A6 at pin 13, thereby starting the game and locking out the start switch so the player cannot reset the computer during the game and gain additional time.

2-24. TV MONITOR OPERATION

2-25. It is important that you understand the basics of TV monitor operation so that you can later comprehend how the signals generated by the PCB computer are synchronized with the operation of the monitor. We will not dwell on how the monitor receives and displays the information other than to say the electron beam illuminates spots on the phosphorescent coating of the CRT per the PCB signal information. What is critical is how these PCB signals are timed with the operation of the electron beam.

2-26. This type of TV monitor directs its electron beam in a fashion known as true interlaced raster scan. The TV screen picture (or raster) is composed of 260.5 horizontal lines stacked on top of one another. The electron beam always scans this raster whether or not it is receiving any PCB signals. The PCB signals simply modulate the electron beam so that spots of different intensity are illuminated. To see what this raster looks like, disconnect the PCB edge connector and turn the monitor brightness all the way up. The pattern of horizontal lines you see is the raster.

2-27. The electron beam begins its sweep in the top left-hand corner of the CRT and sweeps one horizontal line which ends at the right-hand side of the CRT. The electron beam is then repositioned at the left-hand side of the CRT prior to sweeping the next line. The process of moving the beam from the right side back to the left is known as hori-

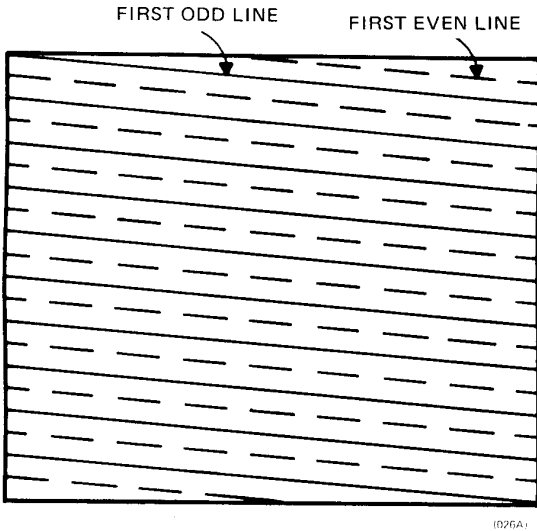


Figure 2-5. Interlaced Raster Scan

zontal retrace and the beam must be blanked out (horizontal blanking) during retrace so no undesired illumination occurs.

2-28. The electron beam skips the second line, sweeps the third, is blanked out, sweeps the fifth line and so on. When the beam has swept all the odd numbered lines it is said to have completed one odd field. After completing the odd field, the beam is in the bottom right corner of the CRT. In order to begin the even sweep, it must be repositioned in the top center of the CRT where the first even line begins. The process of moving the beam vertically to the top of the screen is known as vertical retrace and, of course, the beam must be blanked out (vertical blanking) during vertical retrace.

2-29. The beam sweeps a full field of all the even numbered lines in the same fashion as it completed the odd field. This system of sweeping the odd lines first and then the even lines is known as interlacing. Two completely interlaced fields (one even and one odd) constitute one full frame. The electron beam sweeps the CRT at the rate of 30 frames per second.

2-30. SYNCHRONIZATION AND BLANKING

2-31. A complex system of synchronization is required so the video signals generated by the PCB computer modulate the electron beam when the beam is in the correct part of the CRT. The essence of synchronization is timing. When sync is malfunctioning, the images appear to shift and move about the CRT because they are displayed in a different place each frame. The PCB signals must synchronize with the electron beam horizontally so that the information on each line is displayed in the proper sequence (and also vertically so that the vertical positioning of the images is correct). The sync pulses "tell" the electron beam when to start and stop its sweep, but do not otherwise control the raster. The sync circuit signals are also used in many other places in the PCB to time other operations with the TV monitor.

2-32. The basic timing for the horizontal sync circuit is the clock frequency. Vertical sync, however, runs off of horizontal sync. The horizontal and vertical sync counters count-down the clock pulses to form timed pulse trains (see Figure 2-6). The electron beam begins its sweep when horizontal reset (H RESET) goes low; this occurs after 451 clock pulses are counted out by the horizontal sync counters. The rising edge of the next H RESET pulse occurs

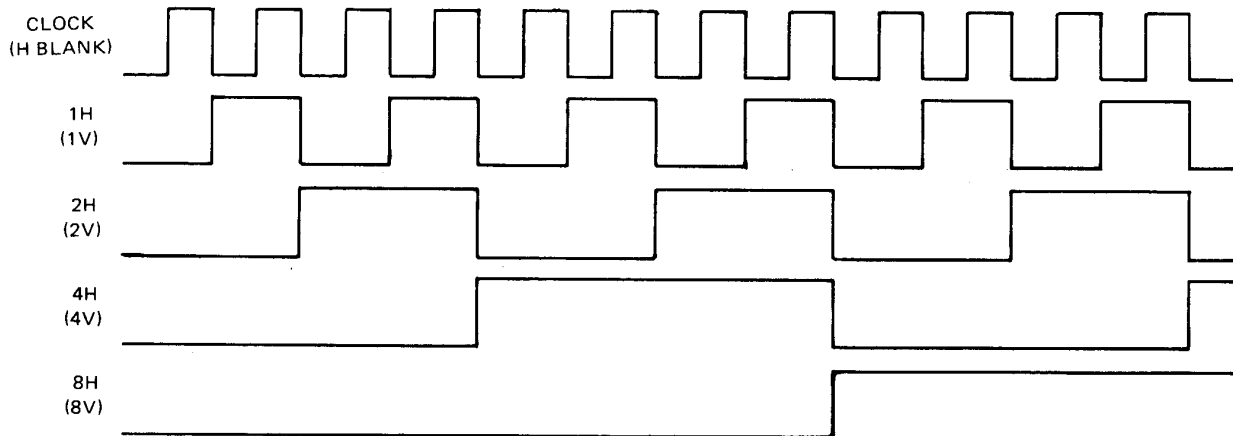
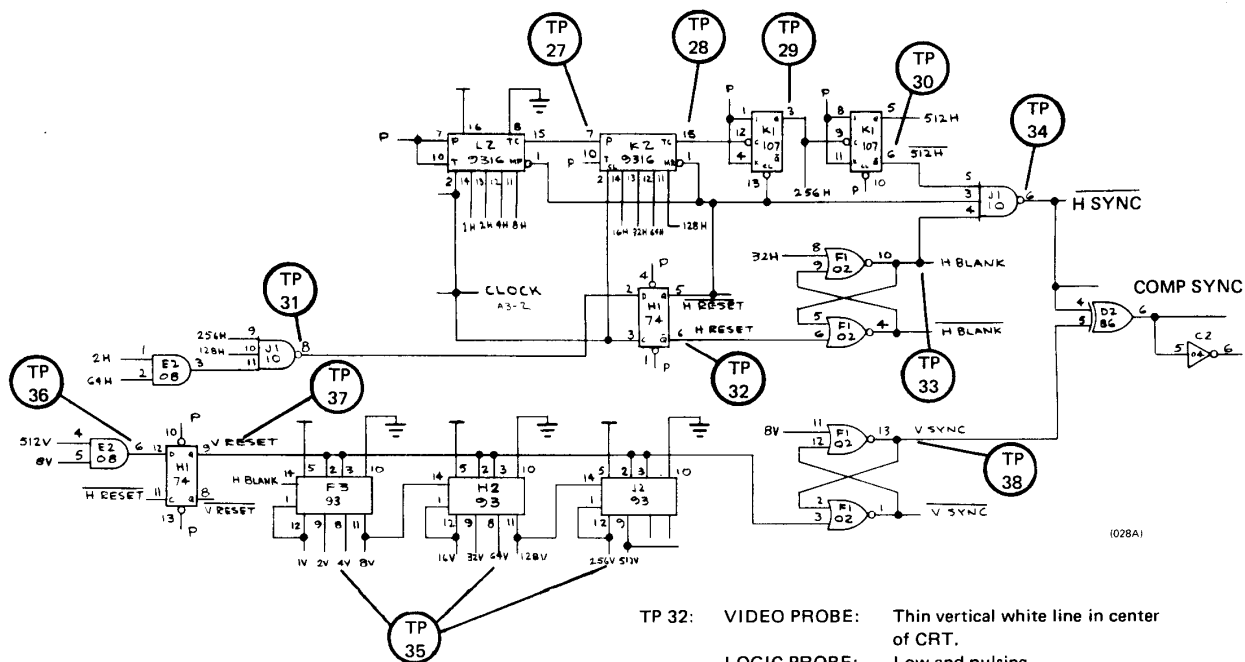


Figure 2-6. Sync Pulse Trains



- | | |
|--|--|
| <p>TP 27: VIDEO PROBE: A number of thin vertical white lines.
 LOGIC PROBE: Low and pulsing.
 OSCILLOSCOPE: High pulses 0.07 ms wide and occurring every 1.12 ms.</p> | <p>TP 32: VIDEO PROBE: Thin vertical white line in center of CRT.
 LOGIC PROBE: Low and pulsing.
 OSCILLOSCOPE: High pulses 0.1 ms wide and occurring every 32 ms.</p> |
| <p>TP 28: VIDEO PROBE: Two vertical white bands.
 LOGIC PROBE: Low and pulsing.
 OSCILLOSCOPE: High pulses 1.3 ms wide and occurring every 32 ms.</p> | <p>TP 33: VIDEO PROBE: White vertical band in center of CRT.
 LOGIC PROBE: Low and pulsing.
 OSCILLOSCOPE: High pulses 2.3 ms wide occurring every 33 ms.</p> |
| <p>TP 29: VIDEO PROBE: Alternating black and white bands.
 LOGIC PROBE: High, low and pulsing.
 OSCILLOSCOPE: Low pulses 14 ms wide and occurring every 32 ms.</p> | <p>TP 34: LOGIC PROBE: High and pulsing.
 OSCILLOSCOPE: Low pulses 2.3 ms wide occurring every 64 ms.</p> |
| <p>TP 30: VIDEO PROBE: Left half of CRT black; right half white.
 LOGIC PROBE: High, low and pulsing.
 OSCILLOSCOPE: Symmetrical square wave with a 64 ms period.</p> | <p>TP 35: VIDEO PROBE: Starting with 2V, touch probe to all outputs up to 512V. Notice that the horizontal black and white bars double in width at each successive division.</p> |
| <p>TP 31: VIDEO PROBE: One thin vertical black line in center of CRT.
 LOGIC PROBE: High and pulsing.
 OSCILLOSCOPE: Low pulses 0.1 ms wide and occurring every 32 ms.</p> | <p>TP 36: LOGIC PROBE: Low and pulsing.
 OSCILLOSCOPE: High pulses 20 ms wide occurring every 16.7 ms.</p> |
| | <p>TP 37: LOGIC PROBE: Low and pulsing.
 OSCILLOSCOPE: High pulses 30 ms wide occurring every 16.7 ms.</p> |
| | <p>TP 38: LOGIC PROBE: Low and pulsing.
 OSCILLOSCOPE: High pulses 0.25 ms wide occurring every 16.7 ms.</p> |

Figure 2-7. Synchronization and Blanking

when the electron beam reaches the right-hand side of the CRT, and the beam is reset back to the left-hand side by the monitor.

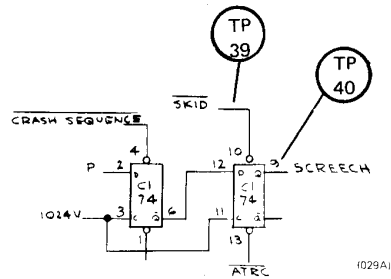
2-33. H RESET resets the sync counters after 451 clock pulses or counts. This is the end of the line (which actually occurs in the middle of the screen) so the counters must be started again. Horizontal blanking (H BLANK) is initiated by H RESET and lasts for 32 clock pulses. During this time information to be displayed in the next line is loaded into many parts of the PCB. The final horizontal sync signal (H SYNC) is composed of both H RESET and H BLANK and tells the electron beam when to start and stop its sweep.

2-34. Vertical reset serves the same purpose as H RESET except it occurs after 521 horizontal blanking pulses (or half lines) when the electron beam is in the lower right-hand corner of the CRT. There is no vertical blanking signal because no information needs to be loaded during vertical reset. The vertical sync signal serves the same purpose as H SYNC except it is timed to the vertical operation of the monitor.

2-35. The sync signals are generated in the following manner (see Figure 2-7). The clock starts L2 counting, and when L2 reaches TC (terminal count), TC goes high and stays high for one clock pulse. Since TC of L2 is connected to CEP (count enable parallel) of K2, when TC of L2 goes high, K2 is advanced by one count by the clock pulse at pin 2. K2 then counts 15 clock pulses and then TC of K2 goes high (after a total of 255 clock pulses). The falling edge of the 256th clock pulse causes K1-3 to go high and it will stay high until the 451st clock pulse when it is reset by H RESET. This 256H is divided again at K1-5 producing the 512th clock pulse or count which is the line that divides the CRT in half.

2-36. H RESET is an output of H1 and it is created by the addition of 256H, 128H, 64H and 2H and the result of J1-8 is a pulse 2H wide and 450 clock pulses from the last H RESET pulse. This is clocked through H1 by CLOCK producing the H RESET signal. Horizontal blanking is generated by H RESET which sets the RS flip-flop composed of the F1 gates. This causes H BLANK to go high and 32 clock pulses later it resets the RS flip-flop producing a blanking pulse 32 clock pulses wide after the H RESET pulse. Horizontal blanking is then gated with H RESET and 512H to produce H SYNC.

2-37. Vertical reset is generated by horizontal blanking which clocks counter F3 at pin 14. The counter divides the clock frequency by eight and the output of this counter goes to H2 where it is again divided eight times. The result-



- TP 30: LOGIC PROBE: High until brake switch is closed, then drops low.
 OSCILLOSCOPE: Same as Logic Probe.
- TP 40: LOGIC PROBE: Low going high when brake switch is closed.
 OSCILLOSCOPE: Same as Logic Probe.

Figure 2-8. Screech Logic

ing signal is finally divided another four times by counter J2. J2 is allowed to divide only to four (a count of 512) because on the 521st count (512 plus 8V plus one more H RESET pulse) all the counters are reset by V RESET. Vertical sync is created by RS flip-flop which is set by V RESET and reset by 8V. This produces a high sync pulse which is four lines wide.

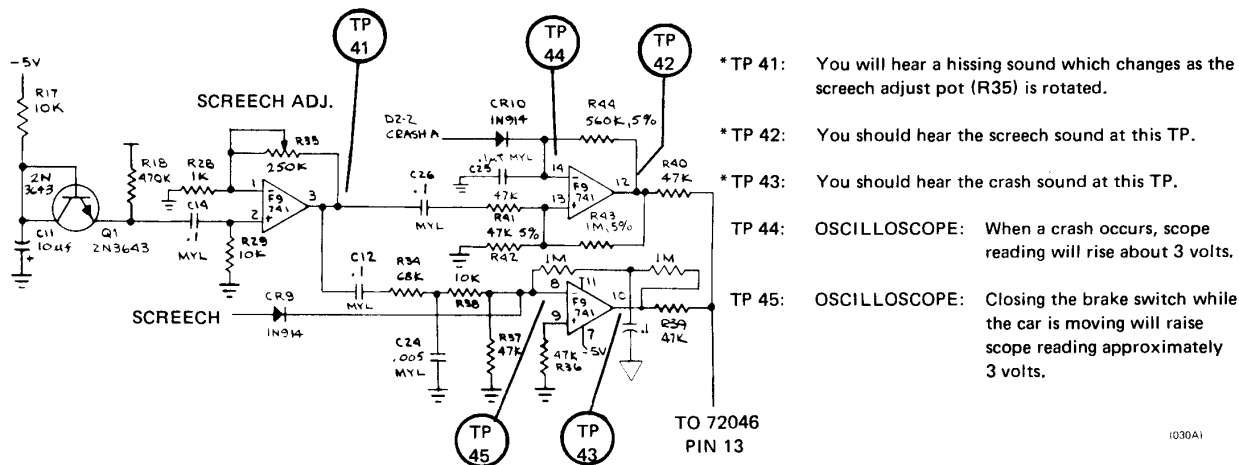
2-38. Because there are an odd number of half-lines being counted out, the electron beam must start at the center of the top of the screen every other field to achieve vertical reset. This is why the first line of the even field begins in the center of the CRT.

2-39. SCREECH LOGIC

2-40. This circuit (see Figure 2-8) generates the SCREECH signal, which creates the "screech" sound through the screech sound generator, and through the 8103 of the speed control circuit. ATTRACT must be high (a game started) to enable the screech circuit. If SKID (the "brakes applied" signal) goes low presetting flip-flop C1, the SCREECH signal will go high. When SKID returns high, 1024V will be clocked through two frames later turning the SCREECH signal off.

2-41. SCREECH AND CRASH SOUND GENERATION

2-42. This circuit creates the screech and crash sound signals which eventually wind up in the audio amplifier where they are amplified so that they can be transformed into audible sounds by the speaker. The screech sound occurs when the brakes are applied (while the car is moving),



*NOTE: To check test points 41 – 43, make a "noise probe" by connecting your video probe from capacitor C8 (in audio amp circuit) to TPs 41 – 43. If you hear the following sounds, the sound generator is O.K. although adjustment of R35 may be indicated. Volume of noise probe TPs may be adjusted with the volume pot.

Figure 2-9. Screech and Crash Sound Generator

and the crash sound results from a collision between the car and any one of the race course pylons. Both signals go through the 8103 hybrid before reaching the audio amplifier.

2-43. Refer to Figure 2-9. Transistor Q1 is the actual noise generator, and the signal from Q1 is amplified by F9-3. Trim pot R35 varies the feedback threshold of amplifier F9 which limits the number of "noise spikes" allowed through F9-3, thereby adjusting the quality of the screech and crash sounds. When the brake switch is closed and the car is moving, SKID is enabled. SKID presets flip-flop C1 in the screech logic and the SCREECH output at pin 9 goes high. When SCREECH goes high, the crash sound operational amplifier is shut off at F9-8 allowing only the screech sound to reach the 8103. The screech sound is always being generated except when disabled by CRASH A. If a crash occurs, CRASH A goes high which disables the screech amplifier at F9-14 allowing only the crash sound through to the 8103.

2-44. ENGINE RPM SOUND GENERATION

2-45. This circuit creates the sounds of the car engine both when it is idling and when it is moving. This is accomplished with three function generators and one electronic attenuator. See Figures 2-10 and 2-11.

2-46. When ATTRACT is high (during the attract mode), Q3 conducts and holds pins 5 of C8, D8 and E8 above ground potential disabling these function generators.

* TP 41: You will hear a hissing sound which changes as the screech adjust pot (R35) is rotated.

* TP 42: You should hear the screech sound at this TP.

* TP 43: You should hear the crash sound at this TP.

TP 44: OSCILLOSCOPE: When a crash occurs, scope reading will rise about 3 volts.

TP 45: OSCILLOSCOPE: Closing the brake switch while the car is moving will raise scope reading approximately 3 volts.

When a game is started, ATTRACT drops low and these function generators are enabled. Closing the gas pedal switch drops the RPM signal voltage from 0 volts to about -4 volts, which causes the function generators to modulate the frequencies of their signals.

2-47. The sound signals from C8 and D8 are the inputs to the attenuator (F8), and the signal from E8 modulates the amplitude of the attenuator output. The resulting sound signal is carried to the audio amplifier and then to the speaker. Note that each 566 function generator is individually adjustable by trim pots R60, R55, and R50. See Figure 2-11 for adjustment details.

2-48. THE AUDIO AMPLIFIER

2-49. An audio amplifier is necessary to drive the speaker. See Figure 2-12. The sound signals enter the amplifier circuit through R16 and C8. The resistance of R4 determines the gain (the volume) and is adjusted by turning the small blue trim pot (marked "volume") found near the LM 380. The LM 380 is a transistor operated device which amplifies the sound signal to a level high enough to drive the speaker.

2-50. SPEED CONTROL

2-51. This circuit uses three custom chips (8103, 8098 and 8099) which have been specifically designed for Gran

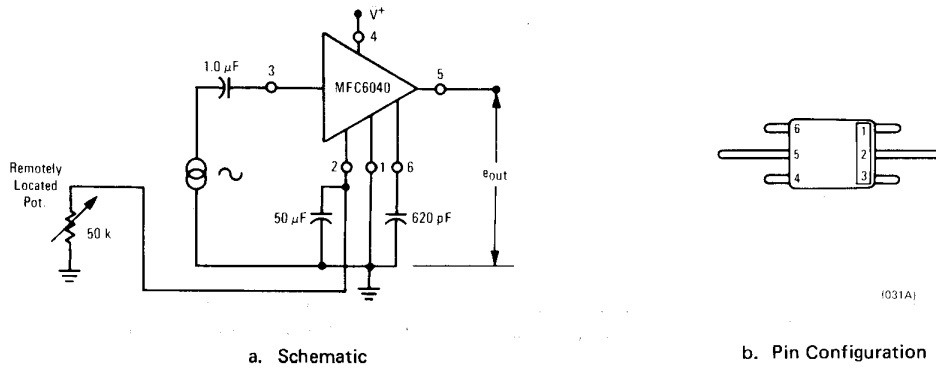
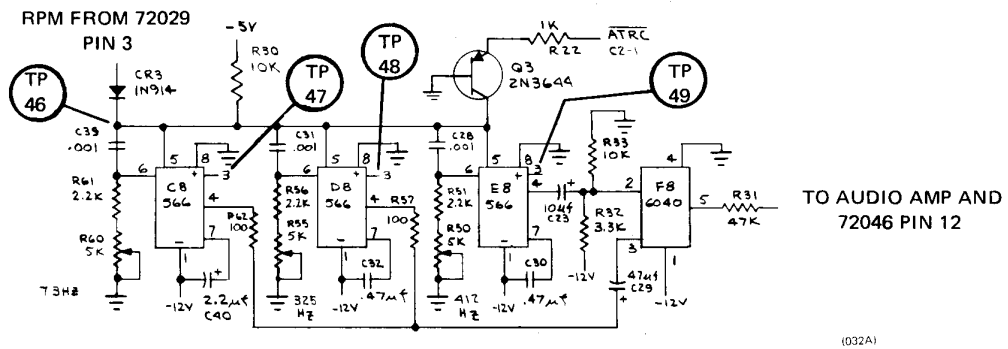
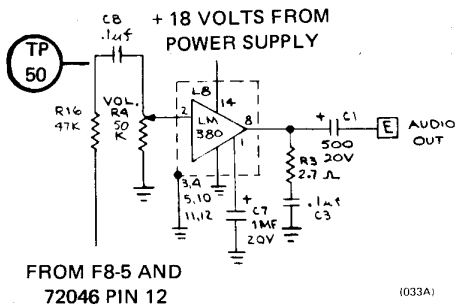


Figure 2-10. Electronic Attenuator



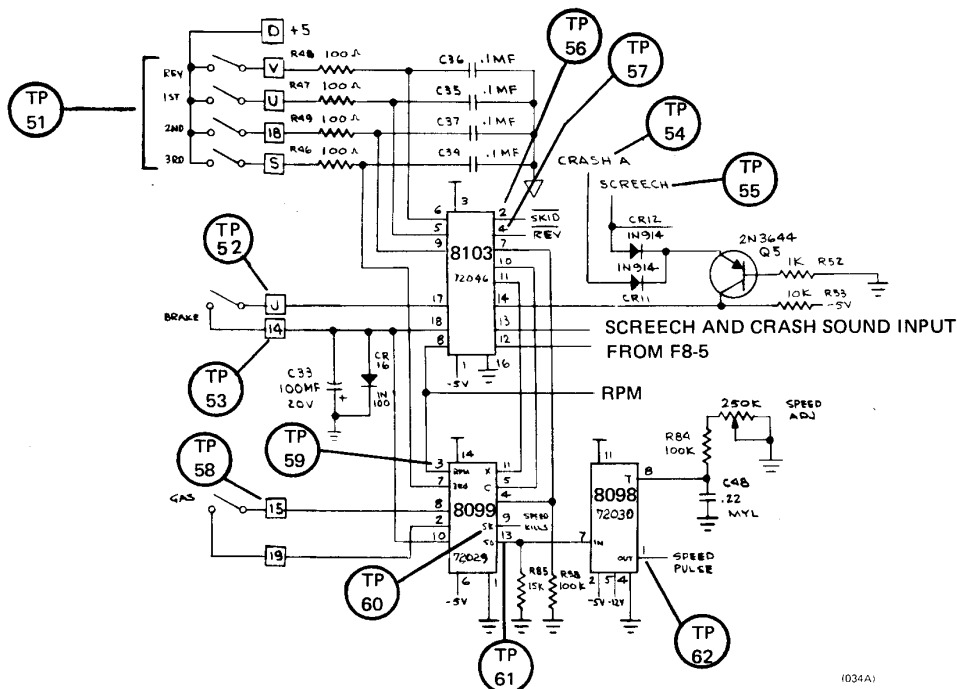
- TP 48: OSCILLOSCOPE: When R55 is correctly adjusted, you will see a 3.07 ms square wave.
- TP 49: OSCILLOSCOPE: When R50 is correctly adjusted, you will see a 7.42 ms square wave.
- TP 46: OSCILLOSCOPE: Closing the gas pedal switch causes the RPM signal voltage to drop from 0 to -4 volts.
- TP 47: OSCILLOSCOPE: When R60 is correctly adjusted, you will see a 13 ms square wave.

Figure 2-11. Engine RPM Sound Generator



- TP 50: Use the "noise probe" method to test the audio amplifier. Turn the volume down, attach the clip end of a video probe to capacitor C8 and run the prod down the vertical sync counter outputs. You will hear a series of tones from counter pins H2-12, 9, 8 and 11.

Figure 2-12. The Audio Amplifier



(034A)

- | | |
|--|---|
| <p>TP 51: LOGIC PROBE: Low going high as each shift switch is closed.
OSCILLOSCOPE: Same as Logic Probe.</p> <p>TP 52: OSCILLOSCOPE: -5 volts rising to +2 volts when the brake switch is closed or a crash occurs.
VTVM: Same as Oscilloscope.</p> <p>TP 53: Check voltage drop with the Oscilloscope or voltmeter as you reach top speed in each gear.
Reverse -0.8 volts
1st gear -0.8 volts
2nd gear -1.7 volts
3rd gear -3.5 volts</p> <p>TP 54: LOGIC PROBE: Low going high when a crash occurs.
OSCILLOSCOPE: 0 volts rising to +3.5 volts at crash.
VTVM: Same as Oscilloscope.</p> <p>TP 55: LOGIC PROBE: Low going high when brake switch closed.
OSCILLOSCOPE: 0 volts rising to +3.5 volts when brake switch is closed.</p> <p>TP 56: LOGIC PROBE: High going low when brake switch is closed.
OSCILLOSCOPE: Same as Logic Probe.</p> <p>TP 57: LOGIC PROBE: High going low when gearshift is in reverse.
OSCILLOSCOPE: Same as Logic Probe.</p> | <p>TP 58: Check with Oscilloscope or voltmeter. Voltage should drop from +5 volts to the indicated values as you reach top speed in each gear.
Reverse +2.5 volts
1st gear +2.5 volts
2nd gear +2.5 volts
3rd gear +4.3 volts</p> <p>TP 59: Check with Oscilloscope or voltmeter. Voltage should drop from 0 volts to the indicated values as you reach top speed in each gear.
Reverse -3.7 volts
1st gear -3.7 volts
2nd gear -3.8 volts
3rd gear -4.3 volts</p> <p>TP 60: LOGIC PROBE: Low when car is at rest; high when car crashes.
OSCILLOSCOPE: Same as Logic Probe.</p> <p>TP 61: Check with Oscilloscope or voltmeter. Voltages should drop from 0 volts to indicated values as you reach top speed in each gear.
Reverse -0.5 volts
1st gear -0.5 volts
2nd gear -1.2 volts
3rd gear -2.6 volts</p> <p>TP 62: LOGIC PROBE: Low when car at rest; low and pulsing when car is moving.
OSCILLOSCOPE: Following readings are to be taken with car at top speed in each gear.
Reverse 56 ms between pulses.
1st gear 58 ms between pulses.
2nd gear 35 ms between pulses.
3rd gear 16 ms between pulses.</p> |
|--|---|

Figure 2-13. Speed Control

Trak 10 and are available only through Atari, Inc. If one of these chips should fail, order a replacement by the part number on the chip itself. The speed control circuit controls the car speed, the engine RPM sound and the screech and crash sounds. Refer to Figure 2-13 for the following discussion.

NOTE

Schematic chip numbers 8103, 8099 and 8098 correspond to actual chip numbers 72046, 72029 and 72030.

2-52. 8103/72046 Input/Output Conditions: When any one of the shift switches is closed, the line connected to that switch goes high. Three of these switches (reverse, 1st and 2nd) are connected to pins 5, 6 and 9 of the 8103, and the 3rd gear switch is connected to pin 7 of the 8099. Closing these switches eventually controls the SPEED PULSES output from the 8098 as you will see under the discussion of the 8098.

2-53. The screech and crash sound signals enter the 8103 at pin 13. Pin 12 is the sound output. When the brake pedal switch is closed, \overline{SKID} (pin 2) goes low and the SCREECH signal goes high. SCREECH disables the crash sound generator which allows only the screech sound through to the 8103. The screech sound is enabled through the 8103 by the closing of the brake switch, and continues to come out until capacitor C33 completely discharges through pin 17.

2-54. When a crash occurs, CRASH A goes low disabling the screech sound and allowing only the crash sound to reach the 8103. Both the screech and the crash sounds are controlled by the input to pin 14 which rises from -5 volts to +2.5 volts if you crash or step on the brake. So when a crash occurs, only the crash sound is enabled through the 8103. \overline{REV} (reverse not) at pin 4 goes low whenever the reverse shift switch is closed. This signal goes to C2-9 (steering encoder circuit) and then to the ROM address multiplexers to control the direction of the car image.

2-55. 8099/72029 Input/Output Conditions: Pins 2 and 8 of the 8099 are connected to the gas pedal switch and control the acceleration of the car. When the car is stationary or in gear with no gas, pin 8 will be +5 volts. When you step on the gas, this will drop to approximately 2.4 volts in first and second gears and rise to 4 volts in third. Pin 2, on the other hand, is at 0 volts when the car is stationary or in gear with no gas. When in first or second gear with the gas switch closed, pin 2 will rise to about +2.4 volts and will rise to 4 volts in third gear with the gas pedal depressed.

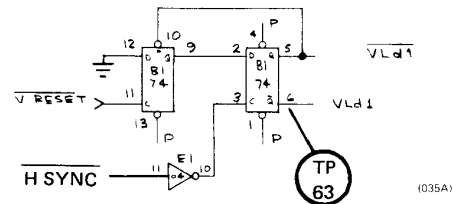
2-56. Pin 3 (RPM) is at 0 volts when the gas switch is open, and drops to about -3.8 volts when you step on the gas in first. When you shift into second, pin 3 rises to approximately -2 volts and then drops to about -3.8 volts as the car picks up speed. When you shift into third, it rises to -2 volts again and drops down to about -4.2 volts when the car reaches maximum speed. Top speed in reverse should produce about -3.8 volts at pin 3.

2-57. Pin 13 is the input to the 8098 Speed Pulse Generator. Pin 13 starts at 0 volts and drops to -0.5 volts at top speed in first gear. When you shift into second, it rises to about -2 volts and drops to about -3.8 volts as the car picks up speed. When you shift into third, it rises to -2 volts again and then drops down to about -4.2 volts when the car reaches maximum speed. Closing the reverse switch causes pin 13 to drop from 0 volts to -0.5 volts.

2-58. 8098/72030 Input/Output Conditions: As pin 7 of the 8098 drops lower and lower, the speed pulses from pin 1 increase in frequency. This frequency is adjustable by the SPEED ADJUST pot R84 (see Section 1 for more details on this adjustment). The input to pin 9 of the 8099 comes from D5-8 (the crash circuit) and is used to disable the speed pulses during the attract mode or during a crash. This pin must go high to disable.

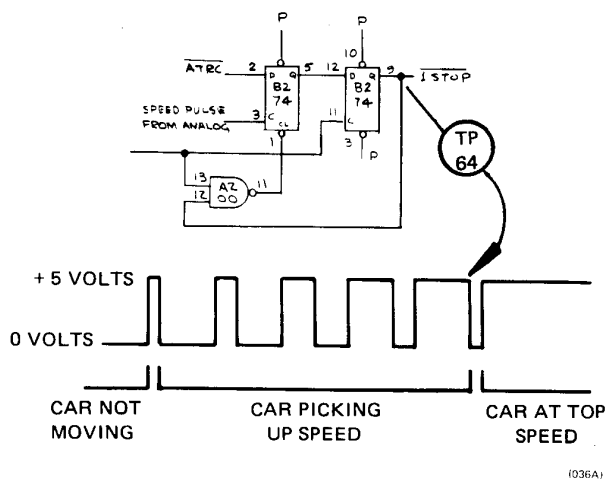
2-59. VLd1

2-60. VLd1 (vertical load one) is used to address the ROM for the vertical positioning of the car image. Refer to Figure 2-14. $\overline{V RESET}$ clocks the low from B1-12 out the Q output and this low waits at B1-2 until it is clocked through by $\overline{H SYNC}$. The Q output (B1-5) presets B1-9 causing a high to appear at B1-9. This high is clocked through to B1-5 on the next $\overline{H SYNC}$ pulse. The result is a VLd1 pulse which occurs once per field and is one H SYNC pulse wide.



TP 63: LOGIC PROBE: Low and pulsing.
OSCILLOSCOPE: High pulse 63.5 ms wide occurring every 16.7 ms.

Figure 2-14. VLd1

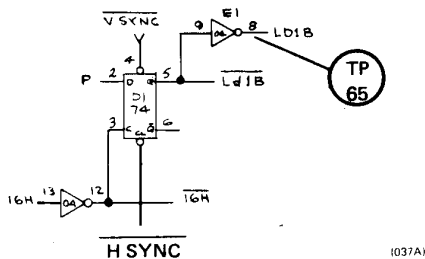


TP 64: LOGIC PROBE: Low when car at rest.
 Low and pulsing when car is accelerating.
 High when car reaches top speed in 3rd gear (provided speed pot is adjusted correctly).
 OSCILLOSCOPE: See waveform above.

Figure 2-15. $\overline{1\text{ STOP}}$

2-61. $\overline{1\text{ STOP}}$

2-62. This signal is a ROM address which determines the speed with which the car image is moved. The input to this circuit (see Figure 2-15) is SPEED PULSE from pin 1 of the 8098 in the speed control circuit. As the car picks up speed, the speed pulses increase in frequency. When the car is stationary, $\overline{1\text{ STOP}}$ is low. As the car starts moving, $\overline{1\text{ STOP}}$ begins pulsing high and the pulses get closer together and longer in duration until the car reaches top speed in third gear, at which time the signal stays high.



TP 65: LOGIC PROBE: Low and pulsing.
 OSCILLOSCOPE: High pulse 5 ms wide occurring every 63.5 ms.

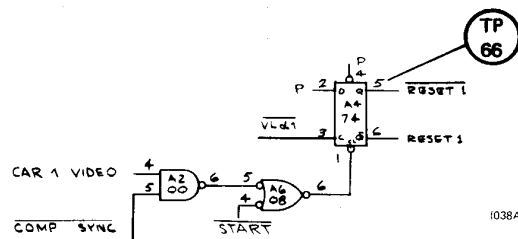
Figure 2-16. Ld1B

2-63. Ld1B

2-64. Ld1B (load one B) is another ROM address; however, it is also used in several other places to load information into counters, etc. See Figure 2-16. $\overline{H\text{ SYNC}}$ clears flip-flop D1. Sixteen clock pulses later, the high is clocked from the D input out the Q output and is inverted to become Ld1B. $\overline{V\text{ SYNC}}$ disables this function once per field, producing a wider Ld1B pulse.

2-65. RESET 1

2-66. The function of this signal is to tell the car motion circuits where to reposition the car image at the start of a new game or after the car is driven off the race course. When CAR 1 VIDEO encounters $\overline{\text{COMPOSITE SYNC}}$ (i.e., the car is driven off the screen), A2-6 goes low causing a low to appear at A6-6 and this low clears flip-flop A4. The flip-flop remains cleared until it receives the next VLd1 pulse which clocks the high from A4-2 out A4-5 and this signal is known as RESET 1. START serves a similar function in the circuit as the low from A2-6 in that it also clears RESET 1.



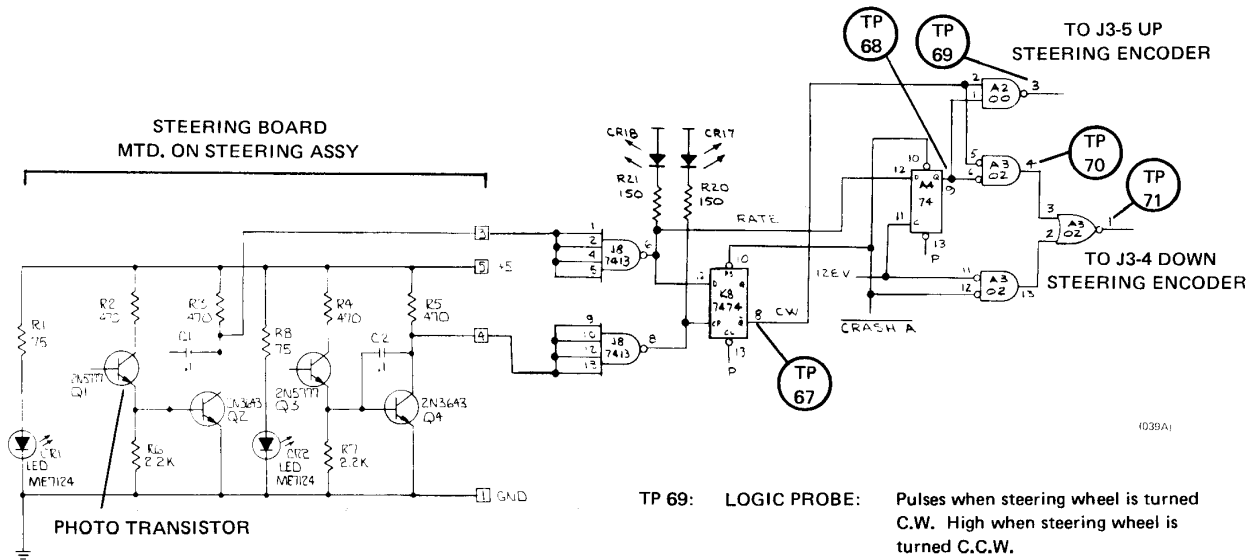
TP 66: LOGIC PROBE: Low pulse when the game starts or the car is driven off the track.
 OSCILLOSCOPE: Same as Logic Probe.

Figure 2-17. RESET 1

2-67. STEERING CONTROL

2-68. The Steering Control circuit is shown in Figure 2-18. The two infrared light emitting diodes (LEDs) mounted on the steering assembly PCB are aimed directly at the two phototransistors and, as the slotted steering ring rotates, the path of light is broken up causing the phototransistors to pulse in a way which corresponds to the direction of the steering wheel rotation. These pulses are fed into four-input Schmitt triggers (J8) which clean up the pulses so the flip-flops can be triggered consistently.

2-69. When the steering wheel is turned in a clockwise direction, a rising edge occurs at the clock input of K8 before a rising edge reaches the D input. This causes the CW



- TP 67: LOGIC PROBE: High when steering wheel is turned C.W. Low when steering wheel is turned C.C.W.
 OSCILLOSCOPE: Same as Logic Probe.
- TP 68: LOGIC PROBE: Pulses when steering wheel is turned and pulse rate rises as wheel is turned faster.
 OSCILLOSCOPE: Same as Logic Probe.

- TP 69: LOGIC PROBE: Pulses when steering wheel is turned C.W. High when steering wheel is turned C.C.W.
 OSCILLOSCOPE: Same as Logic Probe.
- TP 70: LOGIC PROBE: Pulses when steering wheel is turned C.C.W. Low when steering wheel is turned C.W.
 OSCILLOSCOPE: Same as Logic Probe.
- TP 71: LOGIC PROBE: High except when steering wheel is turned C.C.W. or when a crash occurs.
 OSCILLOSCOPE: Same as Logic Probe.

Figure 2-18. Steering Control

(clockwise) signal to be high, which enables gate A2 to advance the steering encoder discussed below, and the steering encoder rotates the car in a clockwise direction. However, if the steering wheel is rotated in a counterclockwise direction, a rising edge will occur at the D input before a rising edge reaches the clock input. This produces a low CW signal.

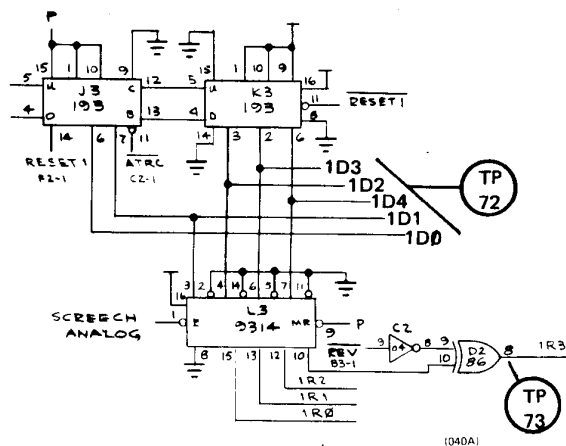
2-70. The rate signal is clocked through A4 by 128V. If RATE and CW are high, the rising edge of 128V clocks a high out A4-9 and the counters of the encoder are incremented (advanced). If RATE and CW are both low on the rising edge of 128V, A3 will decrement the counters and the car image will be rotated in a counterclockwise direction.

2-71. During a crash, CRASH A goes low which presets K8 producing a low CW. It also presets A4 producing a high at A4-9 which shuts off gate A3. This allows A3 to pass 128V, decrementing the encoder counters and thereby causing the car image to spin uncontrollably during the crash.

2-72. Two LEDs (CR17 and CR18) have been included on the main PCB to facilitate troubleshooting the steering assembly. The pulses from the Schmitt triggers light the LEDs. If the LEDs flicker as you rotate the steering wheel, the steering assembly components are probably OK and the malfunction is most likely located in another part of the steering circuitry. If the LEDs do not flicker, look for foreign material between the infrared LEDs and the photo-transistors of the steering PCB, physical damage to the steering assembly, broken connections or a malfunctioning Schmitt trigger.

2-73. THE STEERING ENCODER

2-74. The steering encoder directs the ROM to read out the different aspects of the car image as the steering wheel is rotated. See Figure 2-19. The steering control circuit decides whether to pulse the UP (U at J3-5) or the DOWN (D at J3-4) line of the J3 up-down counter. As the UP input is pulsed, a binary code results at output pins 6 and 7 of J3. After 15 pulses into the UP input, a carry pulse is produced



- TP 72: LOGIC PROBE:** Changes state twice per each complete car image revolution.
OSCILLOSCOPE: Same as Logic Probe.
- TP 73: LOGIC PROBE:** The signal from L3-10 will change state when REV goes low.
OSCILLOSCOPE: Same as Logic Probe.

Figure 2-19. Steering Encoder

at J3-12. This advances K3 which then produces another binary code at its output pins 2, 3, and 6. However, if the DOWN input to J3 is pulsed, J3 will count down from the last loaded number and, when it reaches 0, a borrow pulse is generated at J3-13 which decrements K3.

2-75. At the beginning of the game, or if the car is driven off the track, RESET 1 goes low. This resets the counters to zero and re-oriens the car image. L3 is a latch which takes the 1D1, 1D2, 1D3 and 1D4 outputs from the counters and passes these signals on to the ROM multiplexers unless SCREECH is high. A high SCREECH latches up the last information from the counters and holds it until SCREECH goes low again. This causes the car image to continue moving in the same direction it was going when the brakes were applied, even if the steering wheel is turned which produces a realistic "slide" or "drift".

2-76. REV at C2-9 selects and inverts the most significant digit from L3, causing the car to back up in the opposite direction the car image was oriented in when the gear-shifter was placed in reverse. This is necessary to produce a realistic back-up sequence.

2-77. CRASH AND PLAYTIME

2-78. This circuit has several functions: (1) it generates the crash signal when the car is driven into the pylons, (2) it

times the length of the game, and (3) it incorporates the TEST switch which is used to turn off the playtimer and crash mode when testing the board. See Figure 2-20 for the following discussion.

2-79. The 555 timer at B8 is the component which actually provides the timing. The amount of time it takes to charge C43 determines the pulse width out of the 555, and controls the period of time the output signal, 1 SEC, is high. R72 adjusts both the crash time period and the playtime by varying the amount of time required to charge the capacitor. The timer output is used to clear the crash flip-flops after a crash has occurred. It is also the input to the game timer circuit which turns the game off after it counts a certain number of 1 SEC pulses. If the TEST switch is in the normal position, the 555 is allowed to produce the high 1 SEC pulses. However, if the switch is set to the TEST position, pin 4 of the 555 is grounded out and the game timer cannot count down.

2-80. This circuit also generates the crash signal (CRASH A) whenever the car window encounters the race track signal by gating the two signals together at D5-3. A crash produces a low at D5-3 which clears both B5 flip-flops and 2048V later, a low is clocked out B5-8. During the time B5-8 is high, flip-flop C5 is enabled and asks the question, "Is there a car on the pylons?" If the answer is "no" (i.e., one of the wheels has just barely glanced off a pylon), C5 continues to repeat the question until it is cleared at pin 13 by a low from B5-8. However, if the answer to C5's question is "yes", C5-8 goes low causing D5-11 to go high and the "yes" information is latched into C5 at pin 5 producing a high at CRASH A and a low at CRASH A. A low CRASH A produces a low SPEED KILL signal from D5-8 which stops the car motion. A low ATRC will also produce a low SPEED KILL and stop the car whenever the computer is in the attract mode.

2-81. THE MEMORY CIRCUIT

2-82. This circuit stores information which is later read out for the generation of the car image, the race track display and the score and timer displays. The main components are four multiplexers and one 16K ROM which has been specially programmed for Gran Trak 10 (See Figure 2-21).

2-83. The ROM is a memory unit which stores binary information. This information is read out of the ROM by the multiplexers, and these outputs go to other circuits where the information is used to form the different aspects

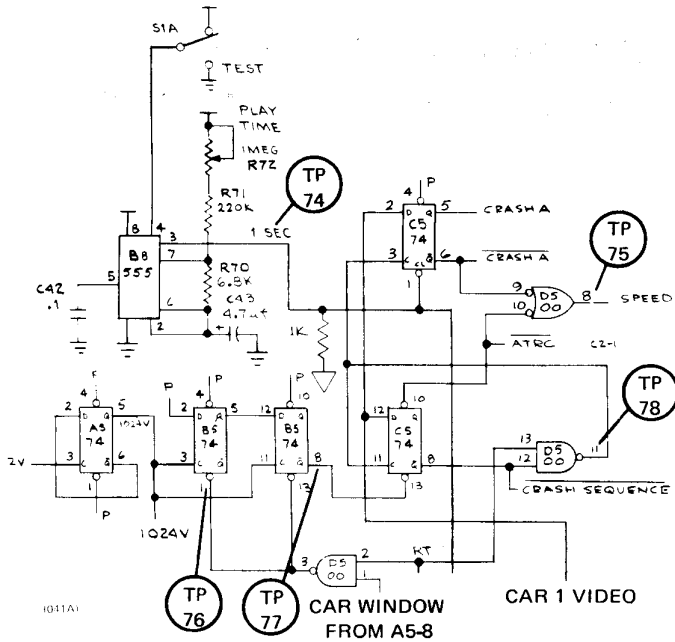


Figure 2-20. Crash and Playtime

- TP 74: LOGIC PROBE: High with low pulses approximately once per second when TEST switch is in the play mode. Frequency of 1 SEC is adjustable by R72.
 OSCILLOSCOPE: Same as Logic Probe.
- TP 75: LOGIC PROBE: High going low when the car crashes.
 OSCILLOSCOPE: Same as Logic Probe.
- TP 76: LOGIC PROBE: Drops low when the car encounters the race track.
 OSCILLOSCOPE: Same as Logic Probe.
- TP 77: LOGIC PROBE: High pulse when the car crashes.
 OSCILLOSCOPE: Same as Logic Probe.
- TP 78: LOGIC PROBE: Normally high, low and pulsing; changes to high when a crash occurs.

of the car image, the race track display, etc. The ROM stores 2048 eight-bit words. Multiplexers select certain signals from a larger input of signals and these output signals are the "addresses" for the ROM. A different multiplexer address is required to read out each different eight-bit ROM word. For example, when information is needed for the generation of the car image, the multiplexers select the correct ROM address, and this selected signal reads out the desired car image information from the ROM. This ROM information is then fed into the car motion circuits and a new aspect of the car image is displayed on the CRT.

2-84. It is important to understand how the multiplexers function, so we have included a brief discussion of basic multiplexer operation. Figure 2-22 is the schematic of a basic two-input two-to-one data multiplexer. When the data select line (S) is high, the signal at the A input is reflected at the output. When S is low, signal B appears at the output and not A. The multiplexers used to address the ROM are nothing more than elaborations of the foregoing theme. The ROM requires multiplexers which can select one of two four-bit words.

2-85. The ROM itself is not a particularly complicated device; it is useful only because it can store so much information in a small space. You can visualize the ROM being constructed from 2048 rows of 8 diode gates each, where each gate is connected to one of the eight ROM outputs. Each diode in every row is specially programmed so that it reads out either a high or a low when it is addressed. Each

row of eight gates must be addressed by a different binary number. Since there are 2048 rows, the ROM requires a ten-bit address input. When this number is read out by the multiplexers into the ROM address input, each diode in the selected row reads out its high or low to one of the ROM outputs.

2-86. **Troubleshooting the Memory Circuit:** Some typical symptoms of malfunctions in this circuit are a distorted or missing car image, portions of the race track distorted or missing or distortion of the lap counter or game timer displays. If you suspect trouble in this section, the first step is to replace the ROM. A plug-in type receptacle has been provided to facilitate replacing the ROM. If the malfunction disappears, leave the new ROM in. However, the ROM failure rate is extremely low, so if a new ROM does not fix the problem, go on to the following troubleshooting procedures.

2-87. If the ROM is OK, next check the ROM addresses at ROM inputs $A^0 - A^9$. If these addresses are not OK, check the inputs to the multiplexers, the multiplexed outputs and any gating which may be between the multiplexer outputs and the ROM inputs. The ROM address table (Table 2-1) is invaluable in troubleshooting this section. We will use a car image problem to demonstrate the use of the address table. To find the correct address for the car image at the ROM inputs, look under the column labeled "CAR A". Then clip the scope probe to the device the ROM information is to be read into, which is shift register F6. The

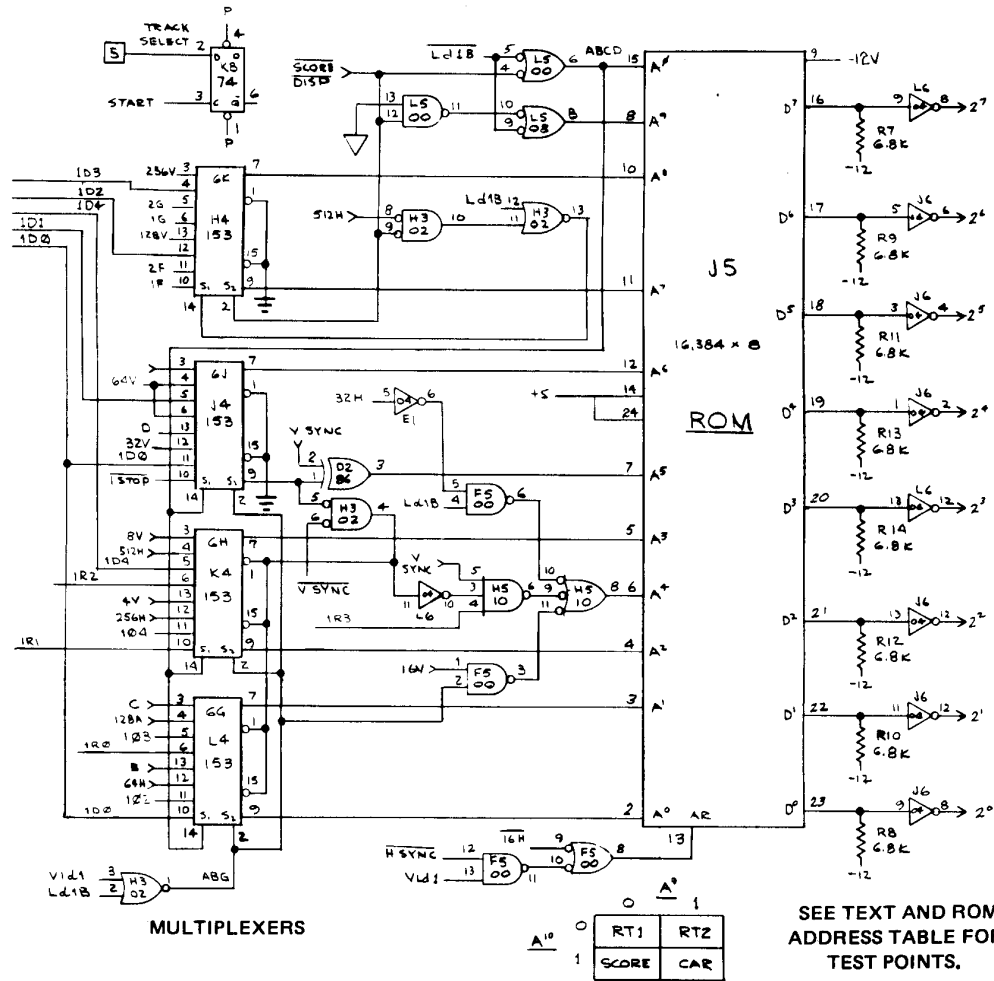


Figure 2-21. The Memory Circuit

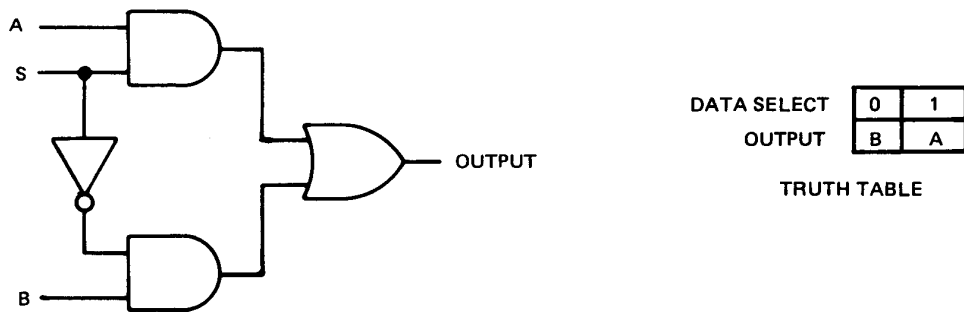


Figure 2-22. Basic Two-Input Two-to-One Multiplexer

Table 2-1. ROM Address Table

CAR A	SCORE C	TIME D	1 R.T. E	2 R.T. F	SPEED CODE G	ROM ADD	MULTIPLEX ADD
1	1	1	0	0	0	A0	
1	0	0	0	1	1	9	
1D3	1G	2G	256V	256V	256V	8	A+C+D+EFG
1D2	1F	2F	128V	128V	128V	7	A+C+D+EFG
1D1	1E	2E	64V	64V	64V	6	A+C+D+EFG
1D0	1D	2D	32V	32V	0G0 1 STOP	5	A+C+D+EF+G
32H*	16V	16V	16V	16V	1R3 0 STOP	4	A+C+D+EF+G
1D4	8V	8V	512H	512H	1R2	3	A+CD+EF+G
104	4V	4V	256H	256H	1R1	2	A+CD+EF+G
103	1C	2C	128H	128H	1R0	1	A+C+D+EF+G
102	1B	2B	64H	64H	1D0	0	A+C+D+EF+G

* 32H-1 FIRST PART OF CAR
- 0 SECOND PART OF CAR

probe would be placed on the pin which is used to control when the data will be entered; in this case it is the shift load input (S/L) at pin 1. When the shift load pin goes low, the information will be loaded into the register. Then take the second probe and check the ROM address inputs and compare these with the information at the multiplexer inputs. Finally, compare all of this information with the table.

2-88. For example, first check ROM address A⁰ (pin 15) with the second probe and you should see a high pulse occurring at the same time as the low shift load pulse. Note that this correctly corresponds to the ROM address table. Then look at A⁹ (pin 8) and again there should be a high pulse occurring simultaneously with the low shift load pulse. Now go to A⁸ and you should see signal 1D3 which will pulse high and low as the steering wheel is rotated. Continue to check all the address inputs in the same fashion. If you find some information which does not correctly correspond, start checking back through the multiplexers and gates (if any). If all the information checks out OK, examine the component that information is being loaded into (shift register F6 in this case).

2-89. To troubleshoot the multiplexers, first check the multiplexer inputs. If any of these do not check out, go to the section which produces the malfunctioning signal and locate the malfunction there. However, if all the multiplexer inputs are OK, check the data select lines by going to gates H3 and L5 and verifying the presence of the correct

Ld1B, VLd1, 512H and SCORE DISP inputs. If all of the data select inputs are also OK, you must check the multiplexers themselves.

2-90. The multiplexers are most easily checked using a logic comparator (see paragraph 1-11). The comparator will yield fast and accurate results. If you do not have a comparator, use the following procedure: first tie both multiplexer select lines low and look at the information from pins 7 and 9 (multiplexed outputs) which must match the inputs at pins 6 and 10 (multiplexer inputs). If OK, tie S₁ high and S₂ low, and pins 7 and 9 should match 5 and 11. If OK here, tie S₁ low and S₂ high, and 7 and 9 should equal 4 and 12. To check the last set, tie both select lines high and pins 7 and 9 should match 3 and 13.

2-91. THE WINDOW CONCEPT

2-92. After the video signals are generated by the computer, they must be displayed on the desired part of the CRT. This is done by directing the signals to appear only within a certain area or "window". The key idea behind the window concept is that of limits or boundaries.

2-93. Your video probe is a test instrument which can be used to display the windows directly on the CRT. To see a graphic display of windows, attach one probe clip to the negative (-) side of the video coupling capacitor (C44) and

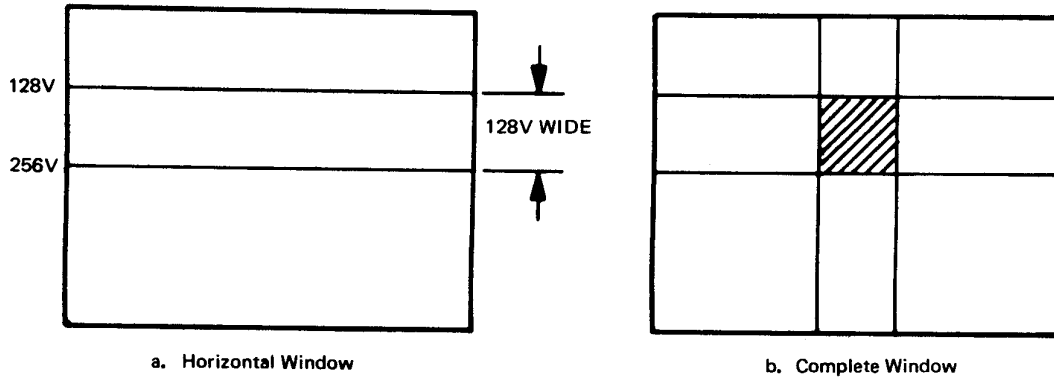


Figure 2-23. CRT Windows

(044A)

run the other end across the sync counter outputs. You probably noticed, as you ran the probe across the vertical sync outputs, that the resulting windows were horizontal in appearance. The most confusing part of the window concept is the fact that it takes vertical signals to define a horizontal window and vice versa.

2-94. Examine Figure 2-23a and notice the vertical signal 256V which defines a horizontal line approximately half way down the CRT. Since the raster is composed of 521 half lines (or 260.5 whole lines), the signal 256V "tells" the electron beam to modulate its scan at the 256th half line down from the top of the screen and the lower half of the screen is white. This is why it takes a vertical signal to define a horizontal line a certain vertical distance down the CRT. If we create a similar line, except 128 half lines down the CRT, the result will be a band 128 half lines wide bounded at the top by 128V and at the bottom by 256V. This band is known as a horizontal window.

2-95. A complete window (Figure 2-23b) is created by generating a similar vertical window and gating the two windows together, so that we have an area with all four sides defined. The video signals are gated with the window so that they can only appear when the window occurs. The result is that the video can then only appear within the window.

2-96. INTRODUCTION TO MOTION

2-97. The illusion of car motion is achieved by rapidly shifting the car image in the same way the illusion of motion is created on the motion picture screen by the film in the projector. The eye perceives this image shift as motion because of a phenomenon known as "retinal after-image". The last seen image is "remembered" for a short time and as the position of the image is shifted a number of times in rapid succession, the eye "overlaps" the images and perceives the shifting process as continuous motion. Since the TV monitor has a frame rate of 30/second, it is possible to shift the car image so rapidly that the eye is completely fooled.

2-98. The speed or velocity of the car image is determined by the shift-rate/frame-rate ratio. If the image is shifted once every frame it will appear to move much faster than if it were shifted only once every three frames. The direction of the image is controlled by varying the rate at which the car image windows are shifted with respect to each other. Notice the vertical motion window in Figure 2-24a. As this window moves up and down, the image contained within it also moves up and down. Figure 2-24b shows the horizontal motion window which controls how the image is shifted from left to right. When the two windows are combined, the image can be vectored at any angle by individually varying the rate each window is shifted.

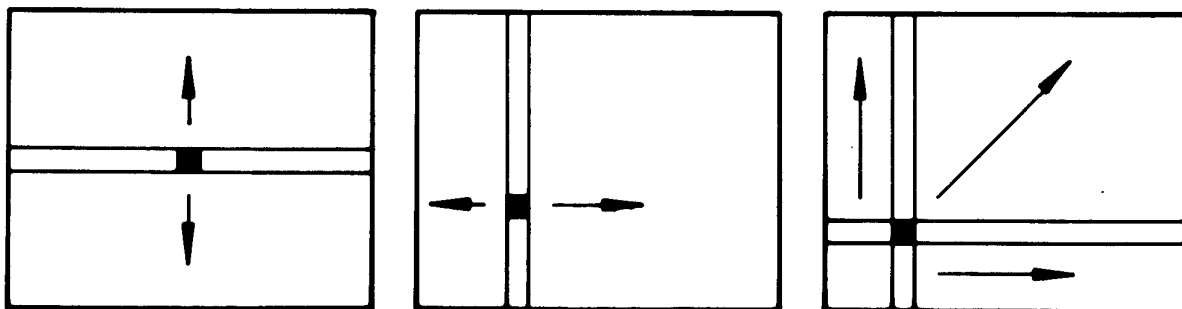


Figure 2-24. CRT Image Motion

(045A)

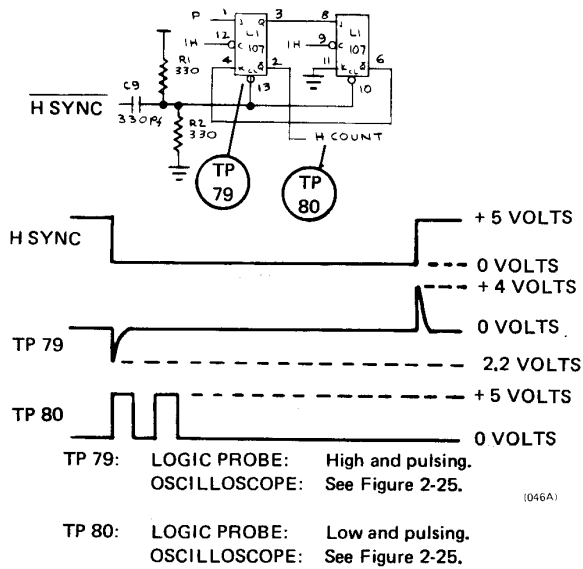


Figure 2-25. Horizontal Count

2-99. The speed of the image is controlled by shifting the window with respect to sync. If the window frequency is the same as sync, it will be displayed in exactly the same place during each TV frame and it will appear stationary. However, if the window is generated a little slower or faster than sync, it will be shifted a certain amount each frame and will appear to move. This is done by entering different binary codes at the parallel inputs to the 9316 counters of the motion circuits. The stop code is that binary number which times the window with sync and therefore stops motion. Other codes cause a change in this relationship and the window is shifted with respect to sync.

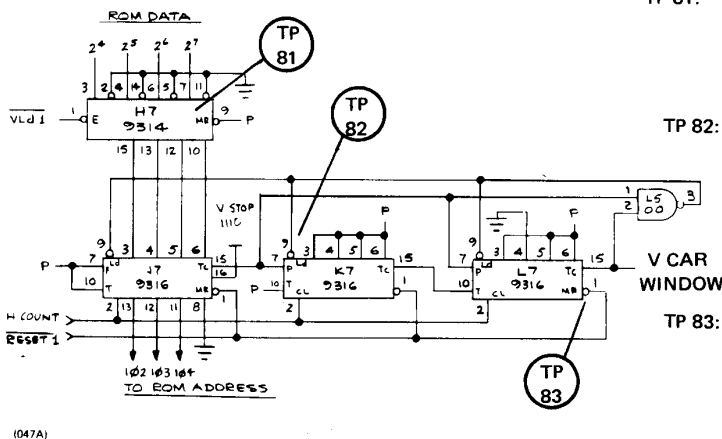


Figure 2-26. Vertical Car Motion

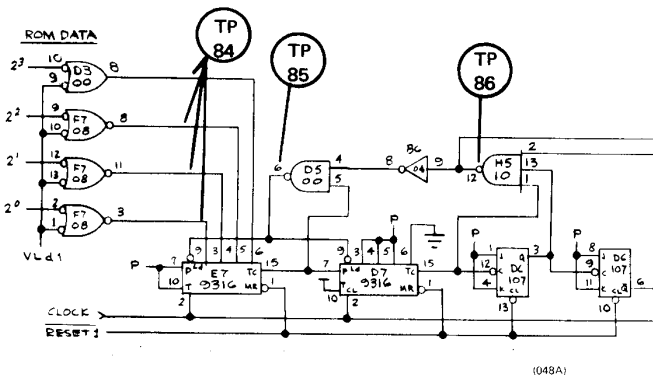
2-100. HORIZONTAL COUNT

2-101. H COUNT is used to clock counter J2 (vertical positioning for the car image) twice per line. See the circuit in Figure 2-25. Capacitor C9 and resistors R1 and R2 create a very short reset pulse for both L1 flip-flops and this produces a high at both Q outputs. On the first 1H pulse, the \overline{Q} output at L1-2 goes low while L1-3 goes high. The \overline{Q} at L1-6 remains unchanged. On the second 1H pulse, L1-2 goes high and L1-6 goes low. On the third 1H pulse, both L1-2 and L1-6 go low and stay low until both flip-flops are again reset by the capacitor and resistors.

2-102. VERTICAL CAR MOTION

2-103. The vertical car motion circuit is shown in Figure 2-26. When $\overline{VLd1}$ is high, the ROM data is latched into H7 and appears at the outputs when $\overline{VLd1}$ drops low again. This information is loaded into the parallel inputs of J7 when the line from L5-3 goes low. It takes 4096 H COUNT pulses to produce a low on this line. The counters start counting from the last number loaded in by L5-3 and count 4096 H COUNT pulses at which time a new number is loaded in.

2-104. The stop code for vertical motion is 3575 (1-1-1-0/1-1-1-1/1-0-1-1). When this number is entered into the counters, car motion ceases (4096 minus 3575 equals 521 which is the sync frequency). However, as the least significant digits of the stop code are changed, the 9316s begin their count from a different number and the resulting car window frequency is changed. For example, if the number 0-1-1-0 is loaded into J7, the window will move down at



TP 84: Hold VLd1 low. This should generate the stop code 0-0-0-1 at pins 3, 4, 5 and 6 of E7. Then hold pins 9 of E7 and D7 low and the stop code should be reflected at output pins 14, 13, 12 and 11 of E7 and D7.

TP 85: VIDEO PROBE: Thin black vertical line which moves with the car image.

TP 86: VIDEO PROBE: The video probe will reveal the horizontal car motion window which will appear as a black band moving with the car image.

Figure 2-27. Horizontal Car Motion

the slowest velocity (4096 minus 3574 equals 522 which is slightly faster than sync). Notice the RESET 1 line which resets the car image at the start of the game or after the car has been driven off the track.

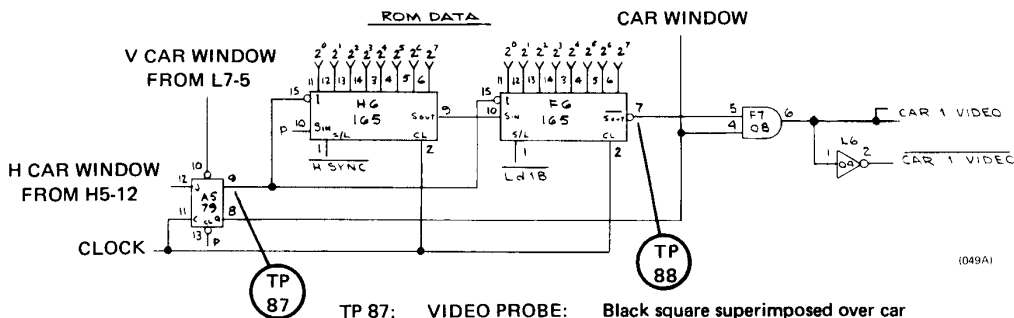
2-105. HORIZONTAL CAR MOTION

2-106. The only real differences between the horizontal and vertical motion circuits are that the horizontal counters are clocked by CLOCK rather than H COUNT, and that different numbers are loaded into the counters. See Figure 2-27. VLd1 is normally low and goes high once per field. During the time VLd1 is low, the stop code 0-0-0-1 is loaded into E7. When VLd1 goes high, the ROM data is entered into E7 causing the horizontal motion window to shift.

2-107. CAR DISPLAY

2-108. The car display circuit uses both the outputs of the ROM and the outputs of the car motion circuits to generate the different aspects of the car image. The ROM supplies the necessary information for the car images, the car motion circuits move the car windows (and hence where the car image can appear) and the display circuit displays all this information on the CRT.

2-109. Refer to Figure 2-28. Since the data at the ROM outputs are in parallel form, a shift register is necessary to convert this parallel (simultaneously occurring) information to serial (sequentially occurring) information. This is necessary so the information bits can be loaded one after another to be displayed by the electron beam as it sweeps across



TP 87: VIDEO PROBE: Black square superimposed over car image.

TP 88: VIDEO PROBE: A number of horizontal white lines covering CRT from top to bottom. One or two of these lines intersect the car image and stop at the car.

Figure 2-28. Car Display

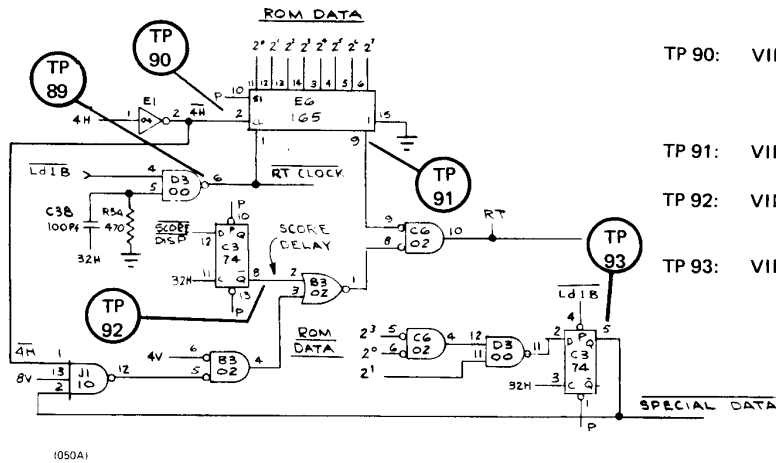


Figure 2-29. Race Track Display

the CRT. Two shift registers are needed because the car image is made up of 16 bits, and each shift register can only process 8 bits of information at a time.

2-110. The information is loaded at different times into the shift registers by $\overline{H\ SYNC}$ and $\overline{Ld1B}$. When $\overline{H\ SYNC}$ and $\overline{Ld1B}$ both go low, one set of car information is loaded into H6 by $\overline{H\ SYNC}$ and the register latches up this information when $\overline{H\ SYNC}$ returns high. $\overline{Ld1B}$ is still low and another set of car information is loaded into F6 and latched up when $\overline{Ld1B}$ returns high. As long as the clock inhibit (1) of a shift register is high, the information remains latched in the register. However, when input 1 goes low, the clock pulses at pin 2 read out the information serially. The clock inhibit goes low during the car window signal which comes from the Q output of A5. The car window is the intersection of the vertical and horizontal car motion windows. So, when the inhibit inputs of the registers go low, F6 reads out its latched up information out pin 7 (the serial output) while H6 is simultaneously reading its information into F6. When all the information originally stored in F6 is read out F6-7, F6 then reads out the information read into it by H6. All this information is gated with the car window at F7 to form CAR 1 VIDEO which is the final car image signal.

2-111. RACE TRACK DISPLAY

2-112. The information for the generation of the race track display is read out of the ROM and this data is loaded into the parallel inputs of shift register E6 by $\overline{RT\ CLOCK}$ (see Figure 2-29). $\overline{RT\ CLOCK}$ is created at D3 by the gating of $\overline{Ld1B}$ with the modified 32H signal. The rising edge of 32H charges capacitor C38 which discharges through R54,

TP 89: OSCILLOSCOPE: Low pulse 0.1 ms wide occurring every 4.5 ms except when $\overline{Ld1B}$ goes low.

TP 90: VIDEO PROBE: Vertical 4H bars covering screen from left to right. NOTE: Wider band in center is due to reset pulse.

TP 91: VIDEO PROBE: All race track windows visible.

TP 92: VIDEO PROBE: White windows over score and timer displays.

TP 93: VIDEO PROBE: Dark check point, finish line and non-delayed score and timer windows.

providing a very sharp high-going spike (there is also a low-going spike, but since it is below threshold voltage it cannot enable D3 and only the high-going spike is passed). This signal is gated with $\overline{Ld1B}$, which allows only race track data to enter the shift register.

2-113. There are eight $\overline{4H}$ pulses per each $\overline{RT\ CLOCK}$ pulse and the race track information is clocked out E6-9 serially by every 4H pulse. The resulting signal contains both the race track and the score information. Since the score window is generated at a different time than the score information is read out of the ROM, the score window ($\overline{SCORE\ DISP}$) must be delayed at C3 by 32H so that the resulting score window occurs simultaneously with the score information and in the correct part of the CRT.

2-114. $\overline{SPECIAL\ DATA}$ prevents the race track data from being displayed when special information such as the finish line, the check points and the score need to be displayed. Otherwise, race track images would be "written over" the special data. Whenever 2^0 and 2^3 go low and while 2^1 and $\overline{Ld1B}$ are high, the special data is clocked out 32H later.

2-115. The sizes of the pylons and the check points are determined by J1 and B3. This information is gated with $\overline{SCORE\ DELAY}$ at B3 and then with the race track and score information at C6 to form the complete race track signal (RT).

2-116. TIME AND SCORE STORAGE

2-117. The primary functions of this circuit are to count the number of laps scored and the amount of elapsed time.

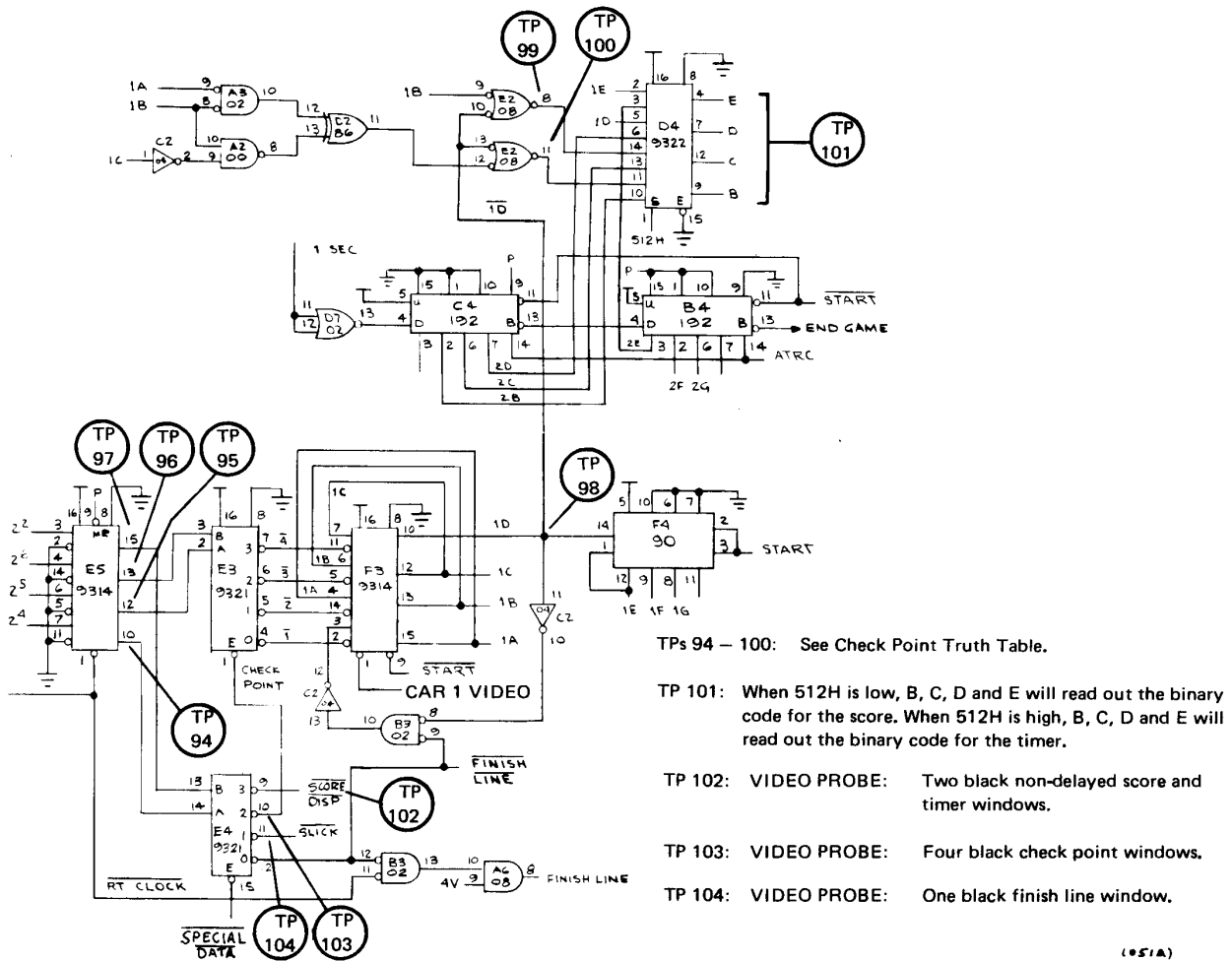


Figure 2-30. Time and Score Storage

Table 2-2. Check Point Truth Table

NO. OF CHECK POINTS PASSED	TP 94	TP 95	TP 96	TP 97	TP 98	TP 99	TP 100
	E5-10	E5-12	E5-13	E5-15	1D	D4-14	D4-11
0	L	L	L	L	L	L	L
1	L	L	L	H	L	L	H
2	L	L	H	H	L	H	L
3	L	H	H	H	L	H	H
4	H	H	H	H	H	L	L

Laps are scored only by passing the race course check points in proper order. If the check points are passed correctly, the lap score is increased by an increment of two. The information needed for generating the score images is contained within the ROM and read out by the following process.

2-118. Refer to Figure 2-30. The ROM data at the parallel inputs of E5 are loaded into that latch when RT CLOCK goes low and is latched when RT CLOCK goes back high. The latched information enters the A and B inputs of the one-of-four decoders E3 and E4. The state of the E input controls the state of the selected output signal and the output signal is selected by the states of the A and B inputs. For example, if both A and B are low, output 0 will be selected and if E is low, the selected output 0 will also be low. If A is high and B is low, output 1 will be selected and if the E input is high, then output 1 will be high.

2-119. SPECIAL DATA (the signal from the race track display section which contains the data for score display, slick, finish line and the check points) is the E input to E4 and whenever SPECIAL DATA is low, the selected output of E4 will also be low. For instance, when the check point information is to be read out of the ROM, A will be low and B will be high which selects output 2 which will be low because E (SPECIAL DATA) is also low. Output 2 will then contain all the check point information which is then sequentially selected by E3.

2-120. Output 0 of E4 is the finish line signal; however, it is 64 clock pulses wide — too wide for a functional finish line so it is gated with RT CLOCK at B3. Since RT CLOCK is a spike of very short duration, the resulting finish line signal at B3-13 will also be of very short duration and appear as a thin line. This thin finish line is then chopped into segments by gating it with 4V at A6 to give it a "dotted line" effect.

2-121. Laps are scored only by passing course check points in the specified order and this is accomplished by selectively enabling latch F3. At the beginning of a new game, START goes high which clears F3 so it can accept new information. Clearing F3 produces lows at pins 15, 13, 12 and 10 (1A, 1B, 1C and 1D) and this causes lows to appear at pins 4, 6 and 7 and a high to appear at pin 3.

2-122. When the car passes through the first check point, the car signal at pin 1 will go high enabling the high at pin 3 to appear at pin 15 which goes around and holds pin 4 high. When the car passes through the second check point, the high at pin 4 will be enabled through to pin 13 and so on. This continues until the car has passed all the check points at which time 1D will go high incrementing counter F4 and

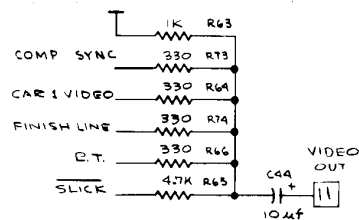


Figure 2-31. Video Summer

simultaneously returning a low to pin 3. A low at pin 3 forces a low to appear at pin 15 which goes around and causes pin 4 to be low which in turn causes pin 13 to be low. This continues until all the outputs are low and the latch is ready to record a new set of check point and car image intersections.

2-123. The information at 1A, 1B, 1C and 1D must be converted to a binary code by gates A2, A3, D2 and E2 so that multiplexer D4 can correctly address the ROM score image information. The truth table in Table 2-2 shows how this is accomplished.

2-124. D4 is a quad two-to-one multiplexer which selects either the score storage information or the game timer information. The signal is selected by 512H and the outputs of the multiplexer (B, C, D and E) become inputs to the ROM multiplexers. Basically, these outputs tell the ROM what number to look up and read out for the score and timer images stored within the ROM. The ROM only stores 17 sets of number display information (1 — 7 in tens and 0 — 9 in ones) which limits the numbers which can be displayed for the score and game timer. The lap score will count up to 78 and the game timer counts down from 78.

2-125. C4 is the ones counter for the game timer and B4 is the tens counter. When START goes low, these counters begin counting down from the number loaded into the parallel inputs (78) and count down by twos. When both counters reach zero, a low "borrow" (or END GAME) pulse is generated which resets the game to the attract mode. The length of the game can be changed by varying the 1 SEC pulses (see Section 1). Longer pulses are counted more slowly by the counters and thus the total game length is longer.

2-126. VIDEO SUMMER

2-127. The video summer shown in Figure 2-31 is simply a resistor summing network which collects all the video signals generated on the PCB, adds them across R63 and ac couples them to the TV monitor. The negative side of C44 is the point of connection for the video probe when troubleshooting.

Table 2-3. GRAN TRAK 10 PCB Parts List

ITEM	PART NO.	QTY.	DESCRIPTION
1	000872	Ref.	P.C. Board Assembly
2	000873	Ref.	Schematic
3	10101	8	Resistor, 100 ohm, 10%, 1/4 Watt
4	10102	11	Resistor, 1K ohm, 10%, 1/4 Watt
5	10103	6	Resistor, 10K ohm, 10%, 1/4 Watt
6	10104	1	Resistor, 100K ohm, 10%, 1/4 Watt
7	10151	2	Resistor, 150 ohm, 10%, 1/4 Watt
8	10221	3	Resistor, 220 ohm, 10%, 1/4 Watt
9	10222	3	Resistor, 2.2K ohm, 10%, 1/4 Watt
10	10224	1	Resistor, 220K ohm, 10%, 1/4 Watt
11	10331	9	Resistor, 330 ohm, 10%, 1/4 Watt
12	10332	1	Resistor, 3.3K ohm, 10%, 1/4 Watt
13	10471	2	Resistor, 470 ohm, 10%, 1/4 Watt
14	10473	7	Resistor, 47K ohm, 10%, 1/4 Watt
15	10681	1	Resistor, 680 ohm, 10%, 1/4 Watt
16	10682	9	Resistor, 6.8K ohm, 10%, 1/4 Watt
17	10683	1	Resistor, 68K ohm, 10%, 1/4 Watt
18	11102	1	Resistor, 1K ohm, 5%, 1/4 Watt
19	11104	1	Resistor, 100K ohm, 5%, 1/4 Watt
20	11105	3	Resistor, 1M ohm, 5%, 1/4 Watt
21	11153	1	Resistor, 15K ohm, 5%, 1/4 Watt
22	11270	1	Resistor, 2.7 ohm, 10%, 1/4 Watt
23	11471	1	Resistor, 470 ohm, 5%, 1/4 Watt
24	11472	1	Resistor, 4.7K ohm, 5%, 1/4 Watt
25	11561	1	Resistor, 560 ohm, 5%, 1/4 Watt
26	11564	1	Resistor, 560K ohm, 5%, 1/4 Watt
27	11820	1	Resistor, 820 ohm, 5%, 1/4 Watt
28	12102	1	Resistor, 180 ohm, 10%, 1/2 Watt
29	19100	1	Resistor, 4 ohm, 10 Watt
30	19109	1	Resistor, 50 ohm, 5 Watt, 20% Wire Wound
31	22105	1	1M ohm Trim Pot
32	22107	2	250K ohm Trim Pot
33	22502	3	5K ohm, Trim Pot
34	22503	1	50K ohm, Trim Pot
35	30100	2	Capacitor, 100 pfd mica @ 100V
36	30331	1	Capacitor, 330 pfd mica @ 100V, 20%
37	32471	2	Capacitor, .47 mfd Mylar
38	32221	1	Capacitor, .22 mfd Mylar, 10%
39	32502	1	Capacitor, .0047 mfd Mylar
40	32101	5	Capacitor, 0.1 mfd, Mylar
41	34101	20	Capacitor, .1 mfd, Ceramic Bypass
42	34102	4	Capacitor, .001 mfd, Ceramic Disc
43	35102	1	Capacitor, 1.0 mfd @ 5V Electrolytic, 10%
44	35103	3	Capacitor, 10 mfd @ 6V Electrolytic
45	35222	1	Capacitor, 2.2 mfd @ 10V Electrolytic
46	35254	1	Capacitor, 250 mfd @ 6V Electrolytic
47	35472	1	Capacitor, 4.7 mfd @ 6V Electrolytic, 20%
48	35473	1	Capacitor, 47 mfd @ 6V Electrolytic
49	35503	1	Capacitor, 50 mfd @ 10V Electrolytic, 20%
50	35504	1	Capacitor, 500 mfd @ 20V Electrolytic
51	37000	1	Capacitor, 8000 mfd @ 16V Electrolytic
52	37102	1	Capacitor, 220 mfd @ 25V DC Electrolytic
53	37103	1	Capacitor, 100 mfd @ 20V Electrolytic
54	37104	1	Capacitor, 2000 mfd @ 25V Electrolytic
55	39100	1	Capacitor, 100 mfd, Tantalum, 20%

Table 2-3. GRAN TRAK 10 PCB Parts List (Continued)

ITEM	PART NO.	QTY.	DESCRIPTION
56	60000	1	DPDT Slide Switch
57	70000	3	2N 3643 Transistor
58	70001	4	2N 3644 Transistor
59	70004	1	2N 5193 Transistor
60	71000	10	1N 914 Diode
61	71001	4	1N 4001 Diode
62	71003	1	1N 100 Diode
63	71006	2	Diode, 2.5A
64	71009	1	SCR MCR106-1
65	71010	1	1N 5241 Zener Diode
66	72000	5	Integrated Circuit, 7400
67	72001	5	Integrated Circuit, 7402
68	72002	5	Integrated Circuit, 7404
69	72003	2	Integrated Circuit, 7410
70	72010	14	Integrated Circuit, 7474
71	72012	1	Integrated Circuit, 7486
72	72013	1	Integrated Circuit, 7490
73	72014	3	Integrated Circuit, 7493
74	72015	3	Integrated Circuit, 74107
75	72016	4	Integrated Circuit, 74153
76	72017	7	Integrated Circuit, 9316
77	72018	1	Integrated Circuit, 555
78	72019	1	LM 309 K
79	72021	3	Integrated Circuit, 566
80	72025	1	Integrated Circuit, 9322
81	72027	3	Integrated Circuit, 7408
82	72029	1	8099 Hybrid
83	72030	1	8098 Hybrid
84	72031	2	Integrated Circuit, 9321
85	72032	2	Integrated Circuit, 74192
86	72033	3	Integrated Circuit, 74165
87	72035	2	Integrated Circuit, 74193
88	72036	4	Integrated Circuit, 9314
89	72042	1	Integrated Circuit, MFC 6040
90	72046	1	8103 Hybrid
91	72048	1	Integrated Circuit, LM 380
92	72049	1	Integrated Circuit, 74S04
93	72050	1	Integrated Circuit, 7413
94	72052	1	Integrated Circuit, RC4136D
95	74186	1	Integrated Circuit, ROM
96	75100	2	Screw, 6-32 x 5/8, Pan Head, S.S.
97	75101	4	Washer, No. 6 Internal Star Lock Washer
98	75102	2	Washer, No. 6 Flat
99	75103	2	Nut, 6-32, Hex
100	80009	2	Light Emitting Diode
101	80086	1	24 Pin I.C. Socket
102	81001	1	Crystal
103	83104	1	Wakefield Heatsink
104	000854	1	P.C.B. Revision E
105	001091	Ref.	Modification Drawing, RT Assembly
106	10474	1	Resistor, 470K, 10%, 1/4 Watt
107	10472	1	Resistor, 4.7K, 10%, 1/4 Watt

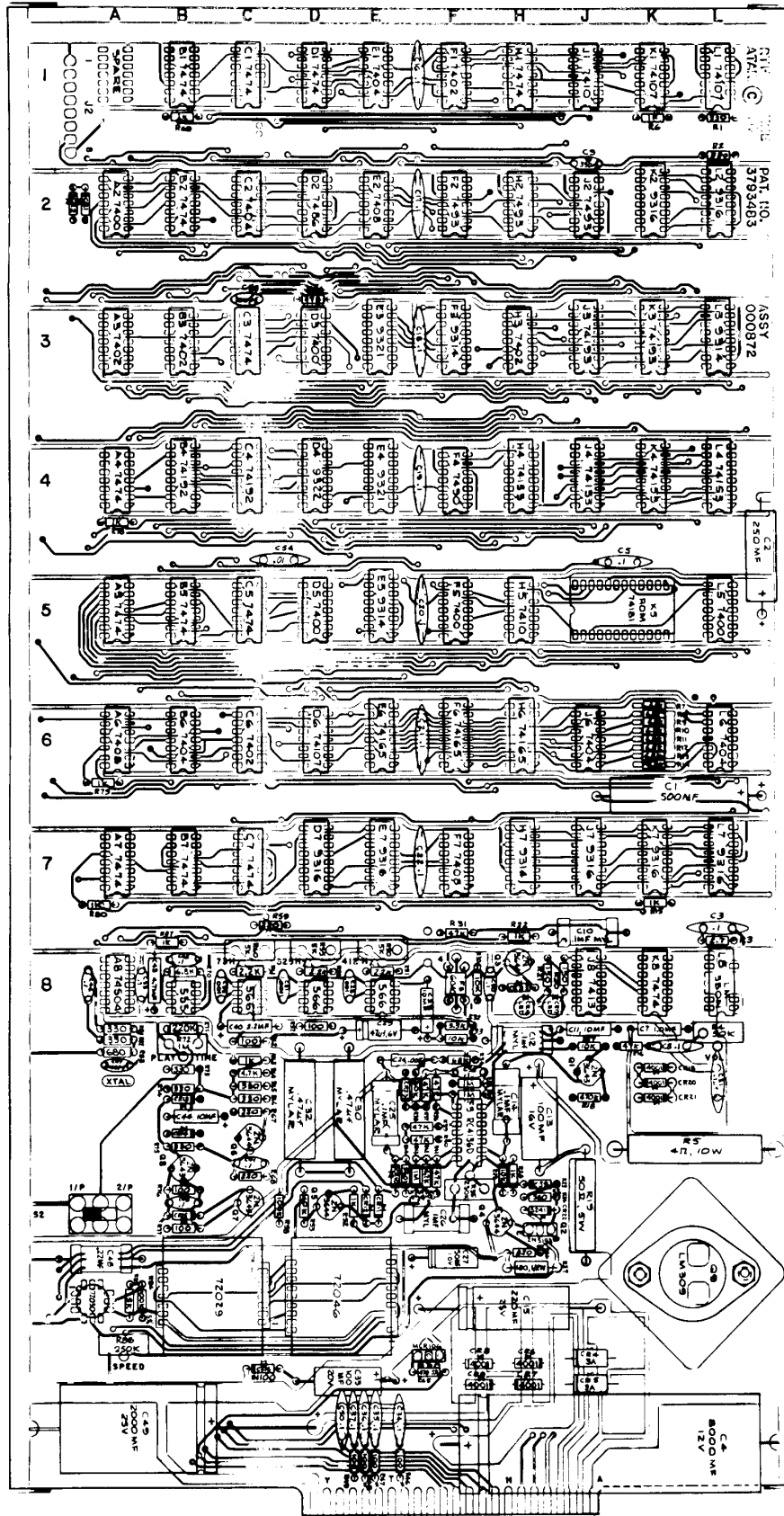


Figure 2-32. Computer Board Component Layout

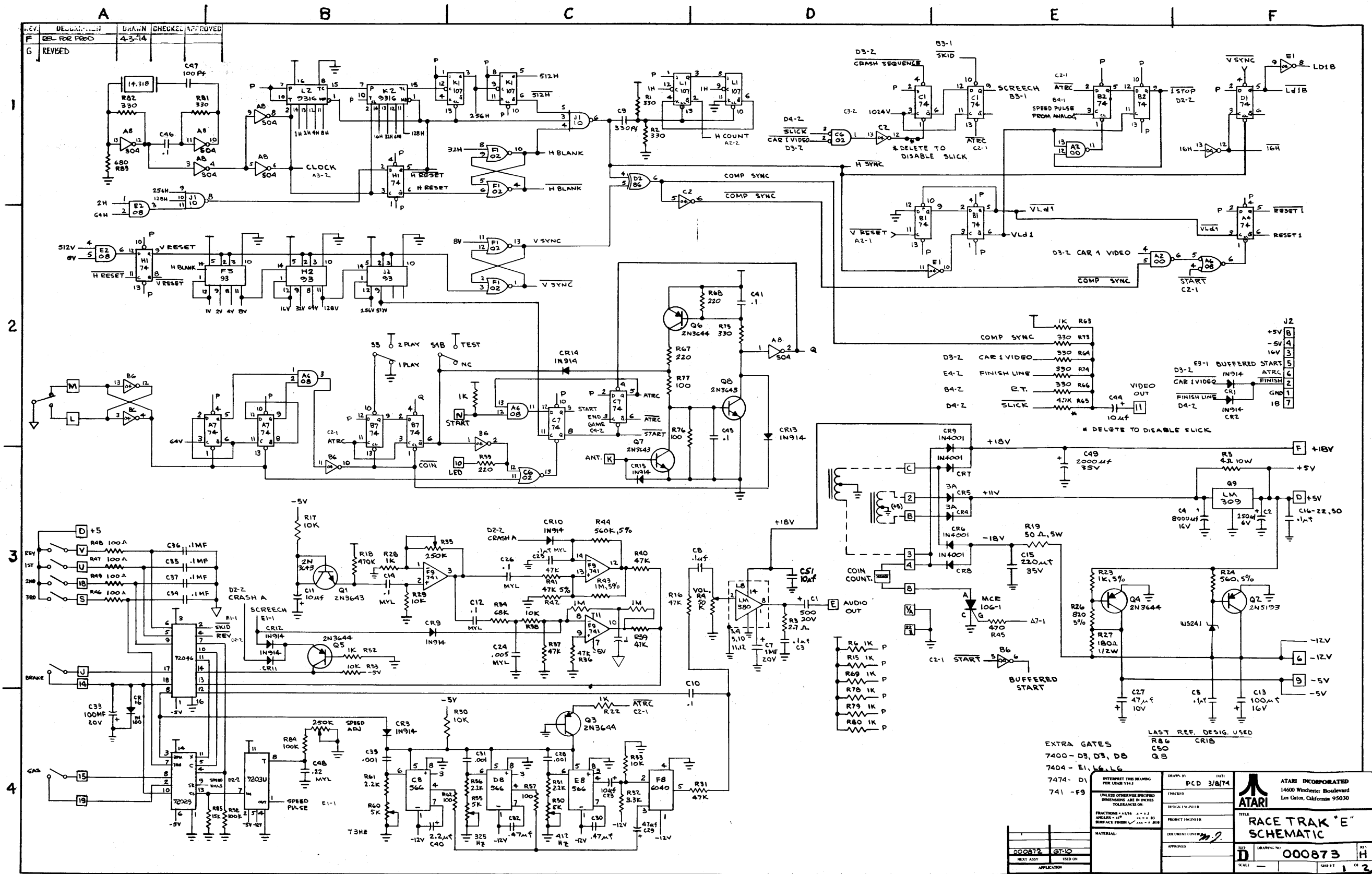


Figure 2-33. Computer Schematic (Sheet 1)

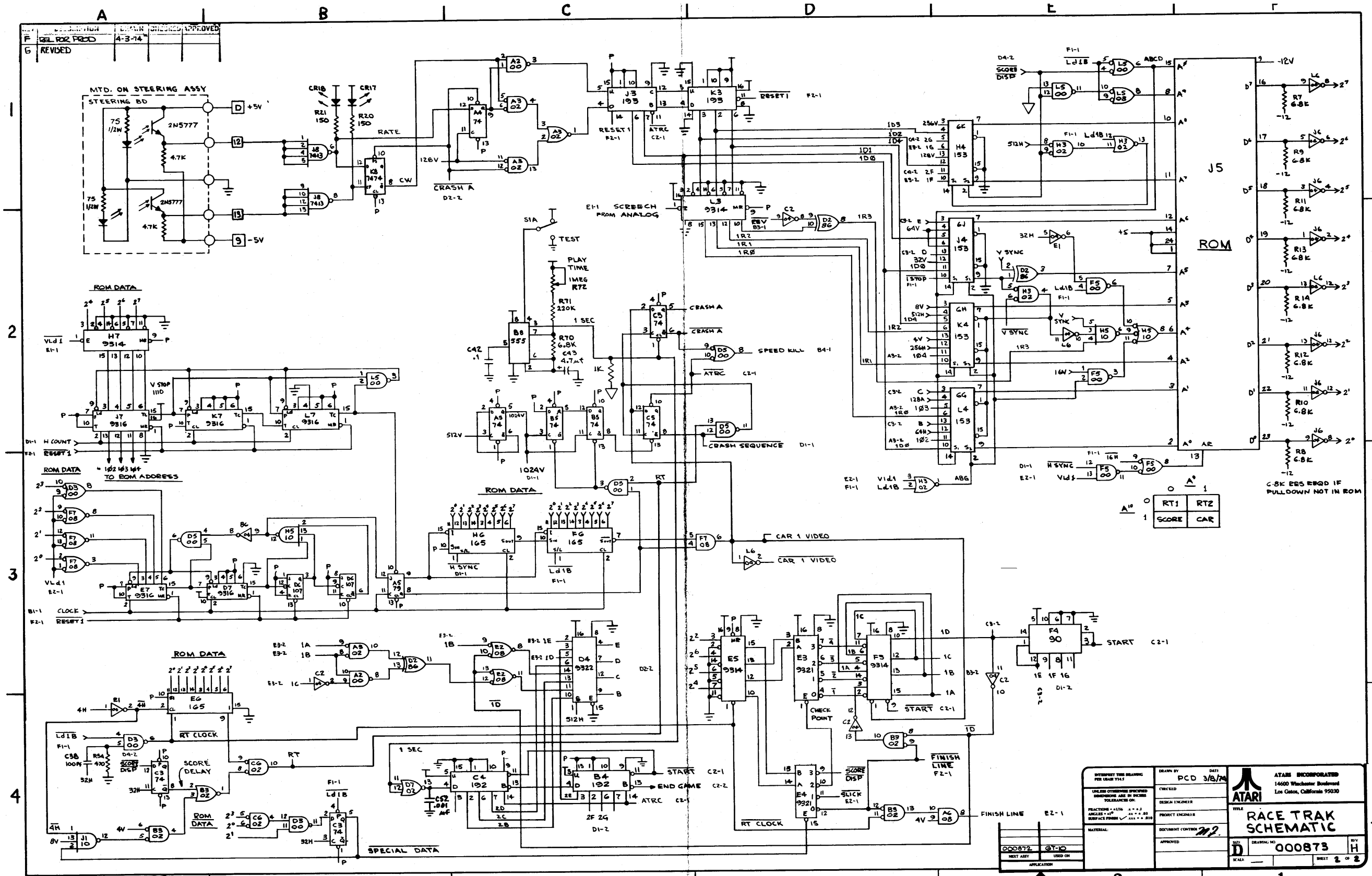


Figure 2-33. Computer Schematic (Sheet 2)

GRAN TRAK 10

OPERATING AND MAINTENANCE MANUAL

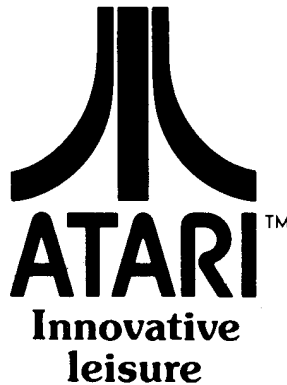


TABLE OF CONTENTS

	Page No.
A. Introduction and Warranty Information	1
B. Access and Basic Construction	1
C. New Machine Set-up and Check-out	1
D. The Game Sequence	2
E. The Antenna and The Anti-static Modification . .	3
F. Top Section Sub-Assemblies: Service Procedures	3
G. The Coin Door: Service Procedures	4
• Coin Acceptors	4
• Rejector Linkage	4
H. Electronics Tray Sub-assemblies: Service Procedures	5
I. The Control Panel: Service Procedures	5
• The Gear Shifter	5
• The Pedal Assembly	5
• The Steering Wheel Assembly	6
J. General Maintenance	6
K. Troubleshooting	6

LIST OF ILLUSTRATIONS

Figure	Subject
1.	GT-10; Side View
2.	GT-10; Front View
3.	General Illumination Lamps
4.	T.V. Monitor Adjustments (2)
5.	Coin Door
6.	Coin Acceptors (2)
7.	Gear Shifter (2)
8.	Pedal Assembly
9.	Steering Wheel Assembly
10.	Wiring Diagram
11.	T.V. Monitor Schematic Diagram
12.	Electronics Tray Assembly

A. INTRODUCTION AND WARRANTY INFORMATION

Gran Trak 10 is a coin operated video amusement device which simulates the experience of driving a high speed race car around a difficult track. All the machine controls (steering, gear shift, accelerator and brakes) behave like those of a real car.

The electronics of this game are solid state for long life and low maintenance. The mechanical assemblies (steering, gear shifter and pedals) have been designed modularly for easy removal and servicing.

However, as with all devices mechanical or electrical, there may be minor problems. *If the printed circuit board computer (PCB) fails within the warranty period, contact the distributor from whom the game was originally purchased for repair or replacement instructions.*

Any PCB repair attempted by anyone other than authorized Atari Service Center personnel will void the PCB warranty.

If the PCB fails *after* the one-year (from date of factory shipment) warranty period has expired, it will be repaired for a nominal parts and labor charge.

Atari, Inc. warrants the T.V. monitor for a period of thirty days commencing the day of shipment from the Atari factory. *If the monitor fails within the warranty period, immediately contact the distributor from whom the game was originally purchased for repair or replacement instructions. Any T.V. repairs other than replacement of fuses or minor adjustments attempted during the warranty period by anyone other than authorized Atari Service Center Personnel will void the T.V. monitor warranty.*

If the T.V. monitor fails *after* the warranty period has expired, it may be returned to the distributor where it will be repaired or replaced for a nominal parts and labor charge, or it may be taken to any competent T.V. repair shop.

B: ACCESS AND BASIC CONSTRUCTION

Three openings: Coin door, rear door and a swing-out front control panel—provide convenient access to all sub-assemblies and adjustment points. Opening the coin door exposes all the coin handling equipment—the coin acceptors and rejector linkages, the coin counter and the coin box. The rear door is used to service the T.V. monitor, the pedal assembly and the components mounted to the cash deck—the PCB, the transformers and the fuses.

An interlock switch is mounted to the cash deck and turns off the entire machine when the rear door is opened.

The interlock switch protects the operator from accidental shock, so it must always be kept in perfect working order. If you need to test or adjust the machine with the rear door open, place the interlock switch in the closed or "on" position by pulling out the white actuator shaft.

All the major sub-assemblies have been designed modularly for easy servicing or replacement. The control panel, the pedal assembly, the Gran Trak 10 computer and the T.V. monitor can each be removed after the wiring and release bolts have been removed.

C: NEW MACHINE SET-UP AND CHECK OUT PROCEDURES

Before turning this machine on, inspect it carefully for any damage which may have occurred during shipping.

As each new Gran Trak 10 leaves the factory, every component and sub-assembly is carefully checked for proper operation and adjustment. However, since parts may have been damaged or adjustments changed during shipping, the following check out procedure must be repeated prior to placing the machine on location.

1. With the machine unplugged, open both access doors and carefully inspect both the exterior and interior of the machine for any obvious shipping damage to the cabinet or internal components and sub-assemblies. If any such damage is discovered, contact the carrier immediately. Then

contact the distributor from whom the game was originally purchased for repair or replacement instructions.

2. Inspect the interior of the machine more carefully looking for broken or disconnected wires, sub-assemblies pulling loose or not firmly mounted and any foreign objects shorting electrical connections. Pay particular attention to the connections to the T.V. monitor, the control panel and the coin door. Also make sure that the PCB edge connector and the fuse are firmly seated. Note: The plug is located inside the cabinet for shipping purposes, and should be fed through the 1½" hole located at the left lower bottom portion of the cabinet.

3. Plug in the machine and if the rear door panel is off,

defeat the interlock switch by pulling out the white actuator shaft. At this point the CRT (Cathode Ray Tube) should display the race track and the score after a short warm up time. Examine the CRT picture. It should be steady, sharp and exhibit the proper levels of brightness and contrast.

4. Insert several old *and* new coins into each coin acceptor. No genuine coin should be rejected. Pressing the game credit switch (start switch) advances the coin counter one digit. Operate both coin rejector handles and check for any signs of binding or sticking. Finally, check to see that both acceptors are firmly mounted in their frames. NOTE: Lightly spray both coin acceptors and both sets of rejector linkages with WD-40, a silicone lubricant. This bit of preventative maintenance may save a service call later.

5. Coin insertion should produce game credit, indicated by a small red light (LED) in the start switch button mounted

on the control panel between the steering wheel and the gear shifter.

6. Start a game by pressing the start switch button and check for proper game sequence making sure all aspects of the game (steering, gear shifter, accelerator, brakes, score, timer and track display) are functioning correctly. If you are not familiar with the game sequence for Gran Trak 10, read the game sequence analysis.

7. Adjusting play time modifies crash mode. The play time is pre-set at the factory for approximately 1 minute 40 seconds, and should not be changed.

8. Both doors (rear and cash) should open and close without binding, and both door locks should turn to the "locked" and "unlocked" positions freely.

9. Check the rear door interlock switch to see that it turns off the machine when the door is opened.

D: THE GAME SEQUENCE

With the game plugged in and the rear door installed, the CRT will display the *attract* mode. The attract mode for Gran Trak 10 displays the race course and a stationary race car positioned where the last player ended, plus the score of the previous game and the game timer (which should read 0).

Coin insertion lights the credit light in the start switch button and the game commences when this button is pressed. At the point the score is reset to 0, the timer begins counting down from 78 by 2s, the car engine begins idling and is ready to be driven.

The controls of the machine and the movement of the car image simulate those of a real car. Once accelerated, the car becomes increasingly difficult to stop the faster the car is moving.

Turning the steering wheel causes the car to turn in the direction of rotation. The car will turn only while the steering wheel is being rotated.

The gear shifter works exactly like that of a real car. Use reverse gear to back off of the pylons after a crash. Then shift into first, rotate the steering wheel to turn the car so it will continue in the proper direction and step on the accelerator pedal. Once the engine has revved to its limit, shift into second and once the engine has revved to its limit, shift into third. The speed of the car will climb as you shift through the gears. Keep in mind, though, that the engine will "bog" down if you shift up too fast or start out in the wrong gear (2nd or 3rd).

Both the accelerator and brakes have only two positions: on or off. When the accelerator is depressed, the engine will rev up. Stepping on the brake pedal will bring the car to a screeching halt and if the steering wheel is turned as the brakes are applied, the car will skid realistically.

Points are scored only by passing the course check points in the proper sequence as indicated by the arrows on the CRT. The score is displayed in the pit area next to the game timer.

If the car is driven into any of the pylons, a crash will result (provided that the PCB slide switch, S1, is set to the crash mode position). The crash is accompanied by a crash sound, uncontrolled spinning of the car during which time the car cannot be driven. As soon as the crash sound has ended, shift into first and continue driving the car in the proper direction. The game continues in this fashion until the game timer reaches 0 at which point the controls become "dead" and the machine is reset to the attract mode.

Players are given an indication of their skill by matching their score (points) against the 'rating card' located at the lower right-hand corner of the glass covering the video display. This rating system is based on a game playtime of approximately one minute and forty-five seconds (as adjusted prior to shipment). The rating card reads:

YOUR SCORE	
0-10	License Revoked
11-20	Backseat Driver
21-30	Good
31-40	Excellent
Above 40	Real Pro

If game playtime is readjusted by the operator, this point/rating system is no longer valid and should be changed.

International shipments of Gran Trak 10 are supplied with a blank card on which to copy the above rating card in local languages.

E: THE ANTENNA WIRE AND ANTI-STATIC MODIFICATION

An *electronic latch* circuit has been incorporated in the Gran Trak 10 computer. One function of this circuit is to turn off or prevent game credit if a player tries to obtain free games by inducing a static charge in the machine. The *antenna wire* is an integral part of this system.

When a static discharge occurs, an electric current is induced in the antenna wire. This impulse is transmitted through the antenna wire to the electronic latch circuit which turns off game credit and resets the computer to the attract mode.

The antenna wire is a length of white wire approximately 12 inches long. One end of the antenna is connected to pin 4 of the PCB edge connector and the other end has been intentionally left not connected.

The length of the antenna wire has been pre-adjusted by the factory to the overall optimum length, however some environments may require more or less critical adjustment.

Lengthening the antenna wire increases the sensitivity of the circuit; cutting the wire shorter decreases the sensitivity.

If players are obtaining free games by inducing static charges in the machine, lengthen the antenna wire (add a piece of wire) by a few inches so that a lesser charge will turn off game credit. If you have problems with static charges accidentally turning off game credit during the progress of a legitimate game, try cutting the antenna shorter in increments of 1-2 inches. Try to cut only the minimum amount off the antenna, otherwise players may be able to obtain free games.

The anti-static modification may be tested during a game by touching the end of the antenna wire with your finger as the body usually has enough capacitance to actuate the electronic latch. If the game is shut off, the circuit is functioning correctly.

F: TOP SECTION SUB-ASSEMBLIES: SERVICE PROCEDURES

Use the following procedures to replace the general illumination lamps, the plexiglass screen and bezel and to service the T.V. monitor.

1. GENERAL ILLUMINATION LAMPS: Eight 6 volt lamps are mounted on a PC board behind the plexiglass screen to illuminate the Gran Trak 10 logo. To replace burned out lamps, reach in the rear door and unscrew the four lamp PC board mounting screws [#21, Fig. 1] and unplug the 2 wires which are attached to it at the plugs located in the upper right inside area of the cabinet. Remove the panel and replace burned out lamps with GE44 or GE47.

2. PLEXIGLASS SCREEN: Use procedure #1 to remove the lamp PCB. Then remove the three wing nuts and carriage bolts [#23 & 34, Fig. 1] which hold down the upper aluminum plexiglass screen retainer [#10, Fig. 1] and lift out the plexiglass.

3. BEZEL: Use procedures #1 and #2 to remove plexiglass and the bezel [#8, Fig. 1] will lift out.

4. T.V. MONITOR: To remove the entire T.V. monitor assembly [#2, Fig. 1], remove the four carriage bolts [#26, Fig. 1] found on the top of the monitor frame and the four Phillips head bolts found on the sides. *Do not remove the aluminum angle brace at the bottom.* Disconnect the electrical connector to the T.V. and lift the monitor out very carefully. DISCHARGE THE SECOND ANODE BEFORE SERVICING.

5. T.V. MONITOR ADJUSTMENT: The T.V. monitor and

its adjustment controls function like any normal T.V. set with the exception of the sound which is adjusted on the PCB (see page 5). The monitor is serviced through the rear door of the machine. See figure 4 on Page 12 for the locations of the following adjustments:

a. **Brightness:** Adjust the brightness *before* the contrast. Adjust so that the CRT background is as *dark as possible*.

b. **Contrast:** The contrast is adjusted so that the CRT images are as *bright as possible* against the pre-adjusted dark background *without being blurred*.

c. **Vertical Hold:** Adjust *only if the picture appears to be rolling up or down* the screen. Adjust for a stable centered picture.

d. **Horizontal Hold:** Adjust *if the picture is slightly off center horizontally*, if the images appear *warped* or if the picture is *broken into a series of diagonal lines*.

e. **Vertical Size:** Adjust *only if the top and bottom of the race course is cut off* from the screen or if there is too much distance between the edge of the course and the edge of the screen, which will appear as an extra set of horizontal dotted lines on the top and bottom of the CRT display. Adjust for maximum picture size.

f. **Vertical Linearity:** Change this adjustment *only if the top of the picture seems compressed*.

g. **The Yoke:** *The yoke should never need adjustment unless the adjusters have been tampered with or the machine damaged.* If yoke adjustment is indicated, adjust

both yoke rings *simultaneously* for optimum centering of the race course on the CRT.

h. **The A.C. Voltage Switch:** Set this switch to the 115 Volt position ("115" visible on the switch) if the machine is connected to a 115 Volt source. *The T.V. monitor will not function if this switch is misadjusted.*

i. **The T.V. Monitor Fuses:** Two 8/10 Amp, 125 Volt Slo-Blo fuses (313 3AG) protect the T.V. monitor from electrical overload. Replace blown fuses *only* with those which have the above rating. NOTE: The T.V. is not fused by the fuse on the electronics tray.

G: THE COIN DOOR: SERVICE PROCEDURES

All coin handling equipment is accessible through the front door. To collect the coins, open the door, remove the coin box and record the meter reading.

The Gran Trak 10 is equipped with two coin acceptor assemblies so the entire machine will not be out of service if one acceptor is malfunctioning.

Please keep in mind that proper adjustment and lubrication of the coin handling equipment will help minimize your service calls.

1. **THE DOOR LOCK:** The lock cylinder can be withdrawn and replaced after the rear retaining nut and the lock cam are removed. If the coin door does not fit tightly or the lock does not turn freely, try bending the lock cam slightly with a pair of pliers. NOTE: The lock cylinder should be lubricated once every three months or so with graphite or WD-40.

2. **THE REJECT LINKAGE:** A separate handle operates the wiper lever of each coin acceptor. When this handle is pressed down, the wiper lever [#17, Fig. 6d] of the coin acceptor is operated which should dislodge any coins "stuck" in the acceptor. The rejector handles cannot be removed. NOTE: Lubricate the rejector linkage with silicone grease when you receive the machine and thereafter at approximately six month intervals.

3. **THE COIN MICRO SWITCHES:** To remove a malfunctioning micro switch, unscrew the two retaining screws [#1, Fig. 6a], record the wire positions and pull off the slip-on connectors.

4. **THE COIN ACCEPTORS:** The coin acceptor can be removed for servicing after the retaining screw [#2, Fig. 6b] has been removed.

5. ACCEPTOR ADJUSTMENT AND MAINTENANCE:

ADJUSTMENT: All coin acceptors leave the factory adjusted for maximum performance. However, if more critical adjustments are necessary or if the unit has been completely disassembled for service, the following adjustment procedure is suggested:

(These tests and adjustments are performed with the acceptor in a vertical position on a level surface [the rest position].)

KICKER AND SEPARATOR

1. Set the unit with the back of the acceptor facing you in the test position.

2. Loosen the screws holding the kicker [1] and the separator [3] and move both the kicker [2] and the separator [4] as far to the right as they will go. Tighten the screws.

3. Insert several test coins (both old and new) and note that some are returned by striking the separator.

4. Loosen the separator screw and move the separator a slight amount to the left. Tighten the screw.

5. Insert the test coins again and, if some of them are still returned, repeat Step #4 until all the coins are accepted.

6. Loosen the kicker screw and move the kicker as far to the left as it will go. Tighten the screw.

7. Insert the test coins and note that some are returned.

8. Loosen the kicker screw and move the kicker a slight amount to the right.

9. Insert the test coins again and, if some are still returned, repeat Step #8 until all the coins are accepted.

10. Be sure that both screws are tight after the adjustments have been made.

THE MAGNET GATE

1. Set the acceptor with the front of the unit facing you in the test position.

2. Turn the magnet gate adjusting screw [#12, Fig. 6d and #3, Fig. 6a] out (counterclockwise) until none of the coins will fit through.

3. With a coin resting in the coin entrance of the acceptor [#4, Fig. 6c], turn the adjuster in (clockwise) until the coin barely passes through the magnet gate.

4. Test this adjustment using several other coins (both old and new) and, if any of them fail to pass through the magnet gate, repeat Step #3 until all of the coins are accepted.

5. Fix the magnet gate adjusting screw in this position by tightening down the magnet gate screw lock nut.

ACCEPTOR MAINTENANCE: Depending on the environment in which the acceptor is used, periodic preventive maintenance should be performed.

The mainplate [#5, Fig. 6d] may be cleaned with any non-abrasive household cleaner. Rinse and dry thoroughly to remove deposits and film.

Remove all metal particles from the magnet by guiding

the point of a screwdriver along the edges of the magnet.

Remove the transfer cradle [#9, Fig. 6d] and clean the bushing and pivot pin. A pipe cleaner is an effective cleaning tool. Apply powdered graphite or pencil lead to the pin and bushing and reassemble.

Spray the entire unit lightly with WD-40 or a similar silicone lubricant.

H: ELECTRONICS TRAY SUB-ASSEMBLIES: SERVICE PROCEDURES

(PULL OUT THE POWER CORD WHILE PERFORMING PROCEDURES 1-4.)

1. FUSE REPLACEMENT: First remove the AC protective cover and replace the bad fuse with a Slo-Blo fuse rated at 1 Amp, 125 Volts (313 3AG).

2. TRANSFORMER REPLACEMENT: To remove a malfunctioning transformer remove the AC protective cover, record all wire colors and their positions, unsolder the wiring and unscrew the retaining screws. NOTE: When installing the new transformer, be sure to reconnect the chassis ground wire (lugs fastened with wood screws that mount the transformers to the wood electronics tray).

3. INTERLOCK SWITCH: To remove the switch, pull off the push-on connectors, squeeze in side tabs on the switch and push it through the mounting bracket.

4. PRINTED CIRCUIT BOARD: To remove the PCB, disconnect the PCB edge connector, remove the four retaining screws and carefully lift out the board. PCBs are

extremely fragile and require very careful handling.

5. PCB ADJUSTMENTS:

a. Volume: This adjustment is made by a small blue trim pot marked "volume" near PCB position L8. Adjust the volume to the preference of the location but keep in mind that the machine will sound louder with the door off.

b. Play Time: This adjustment is located near A8 and it adjusts both the total play time and the crash time period. Playtime is pre-set before shipment and *should not be adjusted* due to interrelationships with other game functions (i.e., crash time, rating system).

If you have the following symptoms, recalibration of one or more of the cemented pots is indicated and you must return the board to your distributor:

1. If the car seems to move too slowly
2. If the sound of the engine revving up is distorted
3. If the sound of the car coming to a stop with the brakes applied (the "screech" sound) is distorted.

I: THE CONTROL PANEL: SERVICE PROCEDURES

1. CONTROL PANEL: To service the rear of the control panel, remove the four wing nuts and the panel will swivel out and be held by the chain. To remove the control panel completely, disconnect wiring and chain and lift out panel assembly. Note wire color and position for reconnection.

2. GEAR SHIFTER ASSEMBLY: To remove gear shifter from the control panel, first swivel out the control panel as per procedure #1. Then record the wire colors and their positions or later reference and pull off all the slip-on connectors to the shift switches. Shift assembly can be withdrawn through the front of the control panel after the four retaining screws have been removed.

To open the gear shifter assembly, remove the four machine screws [Fig. 7] while holding the housing halves together with your fingers. Split the housing halves carefully so internal parts will not spring out and become

lost. With the housing halves separated, the gearshift rod [#3, Fig. 7], spring [#7, Fig. 7], ball [#15, Fig. 9], detent [#4, Fig. 7] and switch actuators [#5, Fig. 7] will all be accessible. NOTE: When re-assembling the unit, lubricate the ball with a small amount of silicone grease and be sure that you replace the housing screws the same way they came out.

3. THE PEDAL ASSEMBLY: The pedal assembly must be removed to replace the brake and accelerator switches. Reach in the rear door and remove three wing nuts [#35, Fig. 2]. From the front of the machine, grasp the protruding lip of the pedal assembly and pull out the entire unit.

To replace switches [# 9; Fig. 8] or pedals [#2, Fig. 8], remove the four pedal retaining screws and lift off pedal. Be sure to record all wire colors and

positions before removing them from the switches.

4. STEERING WHEEL ASSEMBLY: To service or remove steering wheel assembly, swivel the control panel out as per procedure #1. To replace the wheel, remove the shaft end nut [#14, Fig. 9]. Lift off the slotted tack ring [#16] and withdraw the steering wheel through the front of the control panel. If only the wheel needs replacement, remove the cap [#2] and the shaft [#4]. The cap will lift off when retaining screws [#6] are removed and the shaft can be disassembled when retaining nut [#9] is removed. NOTE: When reassembling the unit, lubricate the bearings

[#11 and #12] with a small amount of silicone grease and when re-installing the shaft, be careful not to push out the rear bearing. Tighten shaft end nut.

To replace the steering assembly PCB, remove shaft end nut and tack ring. The PCB can be replaced after the retaining screws [#7, Fig. 9] are removed.

To replace the steering wheel bushing assembly, use procedure 4 to remove the steering wheel, then remove the six retaining screws which hold the backing plate to the control panel. Withdraw the bushing assembly through the front of the panel.

J: GENERAL MACHINE MAINTENANCE

Due to its solid state circuitry, your GT-10 will require very little maintenance other than periodic cleaning, lubrication and T.V. monitor adjustment.

The cabinet and plexiglass screen may be cleaned with any non-abrasive household cleaner. The coin acceptors,

rejector linkages and the lock cylinders should be lightly sprayed once every three months with WD-40 or a similar silicone lubricant. The T.V. monitor is adjusted *only* if the CRT picture is distorted or if the contrast or brightness are out of adjustment.

K: TROUBLESHOOTING PROCEDURES

The first step in any troubleshooting procedure is to correctly identify the observable symptoms of the malfunction. With these clues in mind, examine the areas of the machine which might cause these symptoms.

It is helpful for troubleshooting purposes to isolate three areas:

1. THE T.V. MONITOR: Many T.V. problems can be rectified with proper T.V. adjustment. However, if the problem persists or if the T.V. is undoubtedly malfunctioning, contact your distributor or remove the T.V. monitor and take it to a competent local T.V. repair shop. Complete T.V. monitor repair manuals are available free of charge from the Atari Customer Service Department, 14600 Winchester Blvd., Los Gatos, Ca. 95030. Phone: (408) 374-2440/Telex: 357-488.

2. THE PCB COMPUTER: Most PCB malfunctions will not be within your scope to repair. If you can positively determine that your PCB computer has failed, contact the distributor from whom you purchased the game for repair or replacement instructions. Please be aware that some symptoms which might appear as PCB malfunctions may be the result of improper T.V. monitor adjustment or misadjustment of the small blue trim pots located on the PCB. *Do not attempt to repair the PCB yourself unless you have been specifically instructed to do so by your distributor.* To do otherwise will void your PCB warranty.

3. THE WIRING HARNESS: For troubleshooting purposes, the harness includes the line cord, the fuse, the A.C. line filter, the transformers, the interlock switch, the antenna wire, the start and coin switches, the steering assembly, the gear shifter, the pedal assembly, the PCB edge connector, the T.V. monitor, the speaker and all the interconnecting lengths of wire. A wiring enclosure diagram of the wiring harness and associated components has been included at the end of this manual to aid in troubleshooting.

4. SUGGESTIONS: Following are some specific instructions and suggestions for troubleshooting your Gran Trak 10. To perform even the most simple troubleshooting procedures, you must have a VOM (Volt-Ohmmeter) and, if possible, a VTVM (Vacuum Tube Volt Meter) or digital voltmeter. It is also very helpful to have another GT 10 game (or a spare T.V. monitor and PCB) available for substitution purposes.

For many problems, *substitution* may be the easiest way to troubleshoot the machine. For example, if you suspect a PCB malfunction, try substituting another and known-to-be-good PCB. If the malfunction disappears, the first PCB must have been cause. Conversely, if the malfunction persists, the cause of the malfunction must be located in either the T.V. or the harness.

The T.V. monitor can also be checked by substitution.

Simply connect the game to a known-to-be-good monitor and if the malfunction is cleared up, the first monitor must have been the cause.

Harnesses must be checked by elimination. Substitute a known-to-be-good T.V. and PCB, and if the malfunction persists, the harness and associated mechanical or electronic equipment must be at fault.

5. T.V. MONITOR TROUBLESHOOTING: Some typical T.V. problems are distorted display, raster only or no video at all.

If you do not have a raster (a raster is a lighted but blank T.V. screen with the brightness turned all the way up), begin checking the power supply to determine if the T.V. is getting power. If the general illumination lamps of the machine are lighted, at least you know that power is reaching the machine. If not, check your line cord, interlock switch, fuse, etc.

If it is A.C. powered, go around to the back of the machine and with the rear door open (and interlock switch defeated) listen for a hum emanating from the monitor. If there is a hum, the monitor is powered and you may have a defective CRT or similar problem. Another test (and one which can be performed in a noisy environment) is to measure the voltage between the T.V. fuses and ground. If your voltmeter reads 110 volts or more, you know the monitor is powered. If not, check the fuses, the T.V. connections and the harness to see why power is not reaching the monitor. If the T.V. is powered but still not functioning, check the T.V. AC voltage switch which should be set to the "115" position ("115" visible on the switch) if it is connected to a 110 volt line source.

If you have the correct voltage after the fuses, but the monitor still will not function, you have two choices: 1). Remove the monitor and take it to a specialist, or 2). turn to the T.V. schematic (page 20) and start exploring the monitor with a VTVM and an oscilloscope.

If you do have a raster, you must determine why there are no video signals being displayed on the screen. These video signals are generated by the PCB computer and enter the monitor through pin (#1) of the T.V. monitor connector.

6. STEERING ASSEMBLY TROUBLESHOOTING: Two small red LEDs have been included on the main PCB near position H8 to aid in troubleshooting the steering electronics.

Mounted on the small steering assembly PCB are two phototransistors and two infrared light emitting diodes. The phototransistors are mounted behind the tack ring in such a way that the slots in the wheel break up the light emitted from the diodes. This generates pulses which are used by the computer to determine how quickly and in which direction the wheel is being turned.

The test LEDs on the main PCB will light whenever the infrared diodes are stimulating the phototransistors (i.e. whenever the diodes are "shining" through the slots in the slotted wheel onto the transistors). To test the steering

wheel assembly, simply rotate the wheel slowly in both directions while watching the two red LEDs on the main PCB. If your steering assembly is O.K., both LEDs will flicker. If both of the LEDs fail to light (or remain lit constantly) while wheel is being turned, you definitely have a malfunction *before* the main PCB, which may be either in the wiring harness or in the steering assembly PCB.

7. TROUBLESHOOTING BY SYMPTOM:

a. **No Power:** Check for correct line voltage and if O.K. then check the fuse on the electronics tray, interlock switch and the transformer primaries.

b. **No T.V. Picture:** Check for power as per procedure#1 (NO POWER) and if O.K., check T.V. connector and T.V. fuses. Measure voltage at T.V. fuses (should be 110 VAC) and if O.K., replace the T.V. monitor.

c. **T.V. Raster Only:** Check the harness and especially the PCB edge connector. If O.K., check the T.V. as per the special test under "T.V. Troubleshooting". Or check T.V. or PCB by substitution.

d. **T.V. Picture Rolls:** Adjust the T.V. vertical hold and if the rolling persists, check the T.V. or the PCB by substitution.

e. **T.V. Picture Is Wavy:** Adjust the T.V. horizontal hold and if the problem persists, try replacing the transformer (in the T.V. monitor itself).

f. **T.V. Picture Is Broken Into Diagonal Lines:** Adjust the T.V. horizontal hold and if the problem persists, check the T.V. or the PCB by substitution.

g. **No Game Credit:** Check the coin switches, the start switch, the harness and the positions of the PCB slide switches. If the problem persists check antenna wire and try substituting a new PCB.

h. **No Game Start:** Check the coin switches, the start switch, the harness and replace the PCB if necessary.

i. **Game Shuts Off Accidentally:** Try cutting the antenna wire shorter in increments of 1-2 inches.

j. **Game Credit Shuts Off or Picture Shrinks:** Check the line voltage with your VOM and be aware that a large motor starting up (i.e. an air conditioner) may drop the line voltage. Check to see that machine is firmly plugged in. If the problem only occurs at certain times of the day (especially at dusk), your trunk line voltage may be dropping.

k. **No Audio:** Check the volume control, speaker connections and for 20 volts. If the problem persists, test the speaker and if the speaker is O.K. try replacing the PCB.

l. **Game Sequence Incorrect, Parts of The Race Course, Car, Score or Timer Missing or Distorted:** Replace the PCB or check for proper power supply as described in "Troubleshooting the Power Supply."

m. **Car Will Not Steer or Turns in One Direction Only:** Check PCB LEDs as per procedure on page 7 and if O.K., then replace the PCB computer. If LED test is O.K., check steering harness and connections and for foreign matter in steering assembly. Replace steering PCB if necessary.

n. **No Brakes:** Check brake switch and wires from brake pedal switch to PCB. If O.K., replace the PCB.

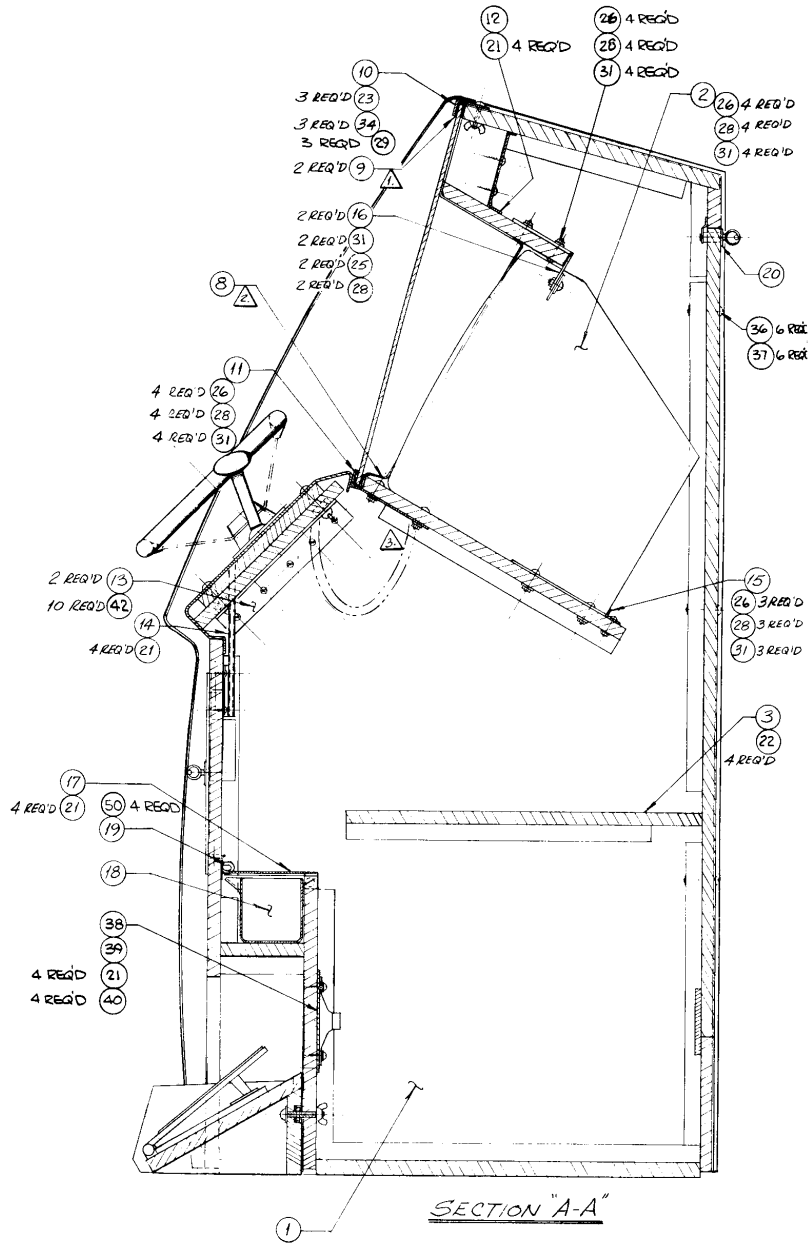
o. **Brakes All The Time:** Check brake switch for foreign material and/or shorting terminals.

p. **No Accelerator:** Follow procedure 14 for "NO BRAKES".

q. **Accelerator All The Time:** Follow procedure #15.

r. **All Four Gears Dead:** Check connections and wires from gearshifter to PCB and if O.K., replace the PCB.

s. **One, Two or Three Gears Dead:** Check the connections and harness of the malfunctioning gear(s): check the shift switch(s) for the malfunctioning gear(s). If problem persists, replace the PCB.



ITEM	PART NUMBER	QTY	DESCRIPTION
49	001060	REF	ENCLOSURE DIA
50	75304/75-8706	4	SCREW, WOOD, FLAT HD, #7 X $\frac{1}{2}$ LG
51	75220/75-7604	8	SCREW, WOOD, RND HD, #6 X $\frac{1}{2}$ LG

Figure 1. GT-10; Side View

LIST OF MATERIALS

ITEM	PART NUMBER	QTY	DESCRIPTION
1	A 000520	1	CABINET ASSEMBLY
2	92016	1	TV MONITOR, 23", MOTOROLA XM700
3	A 000521	1	ELECTRONICS TRAY ASSEMBLY
4	A 001022	1	PEDAL ASSEMBLY
5	A 000523	1	PANEL ASSEMBLY
6	A 000524	1	CASH DOOR ASSEMBLY
7	000525	1	GLASS, SCREENED
8	000526	1	BEZEL
9	000527	2	CUSHION, GLASS
10	000528	1	ANGLE, GLASS RETAINER, TOP
11	000529	1	CLIP, GLASS RETAINER, BOTTOM
12	A 001025	1	ILLUMINATION ASSY
13	000531	2	BRACKET, PANEL MOUNTING
14	A 000532	1	SHUTE ASSEMBLY, COIN GUIDE
15	000533	1	ANGLE, T.V. RETAINER
16	000534	2	BRACKET, T.V. RETAINER
17	A 000535	1	COVER ASSEMBLY, CASH BOX
18	000536	1	CASH BOX
19	83035	71-301	1 STAPLE, LOCK
20	83030	71-2112	1 LOCK (1/4" KEY & TAB)
21	75315	75-7610	16 SCREW, WOOD, RD HD, #6 x 5/8 LG
22	75318	75-7620	4 SCREW, WOOD, RD HD, #6 x 1 1/4 LG.
23	75171	75-5124	6 BOLT, CARRIAGE, 10-24 x 1 1/2 LG. BLACK OXIDE
24	75809	75-5132	4 BOLT, CARRIAGE, 10-24 x 2 1/4 LG.
25	75173	72-18103	2 SCREW, MACH, PAN HD, 8-32 x 5/8 LG.
26	75174	72-18203	18 SCREW, MACH, PAN HD, 8-32 x 1 1/4 LG.
27	75808	72-15325	3 SCREW, MACH, HEX HD, 1/4-20 FULL TH'D x 2 LG.
28	75130	75-0185	18 WASHER, FLAT, STEEL, #8
29	75107	75-0105	11 WASHER, FLAT, STEEL, #10
30	75131	75-0153	6 WASHER, FLAT, STEEL, #1/4
31	75105	75-9185	17 NUT, HEX, STEEL, 8-32
32	75106	75-9115	8 NUT, HEX, STEEL, 10-24
33	75155	75-9155	3 NUT, HEX, STEEL, 1/4-20
34	75145	75-931	7 WINGNUT, 10-24
35	75220	75-935	3 WINGNUT, 1/4-20
36	75179	72-11325	6 SCREW, MACH., BLIND LG HD., PHIL, 10-24 x 2 LG
37	75403	75-0103	6 WASHER, REGULAR PATTERN #10
38	00089B	1	GRILL, SPEAKER
39	48-001	1	SPEAKER
40	75123	75-0165	4 WASHER, FLAT, REG. PATTERN #6
41	75196	75-5114	1 BOLT, CARRIAGE #10-24 x 1/2 LG. BLACK OXIDE
42	75312	75-7810	11 SCREW, WOOD, RD. HD. #8 x 3/4 LG.
43	83258	83-258	1 DECAL TIME
44	83259	83-259	1 DECAL MILES
45	83260	83-260	5 ARROWS
46	001009	REF	CRT DECAL LOCATIONS
47	001002	1	CARD, PRINTED
48	000873	REF	SCHEMATIC DIA.

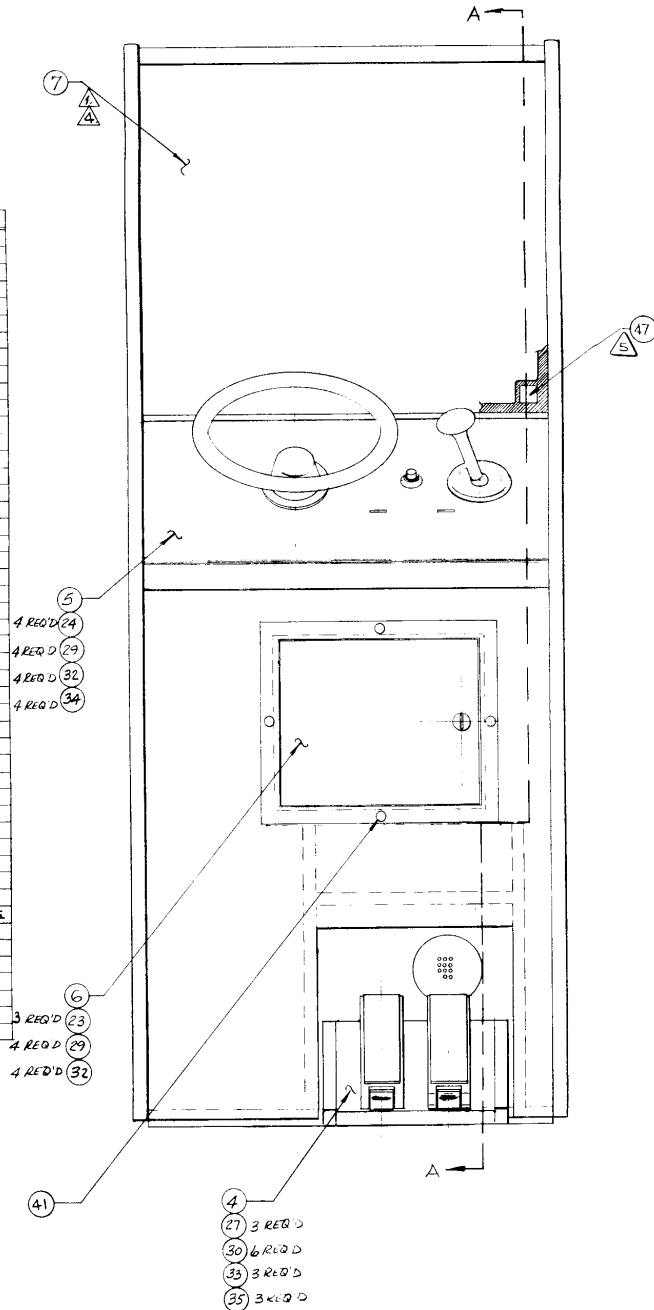


Figure 2. GT-10; Front View

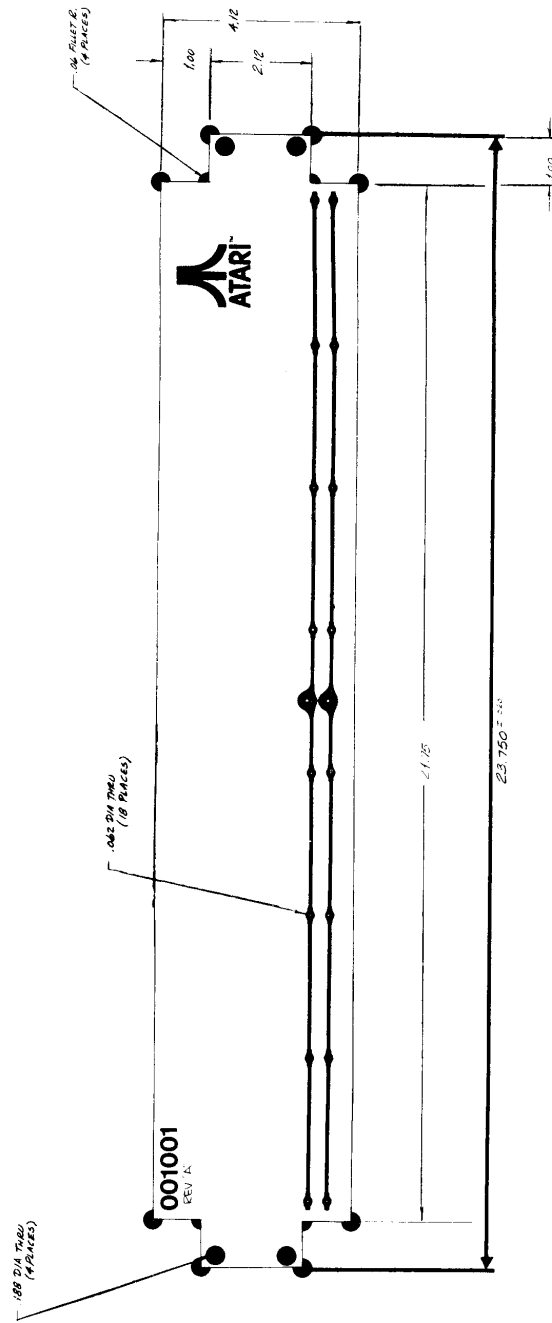
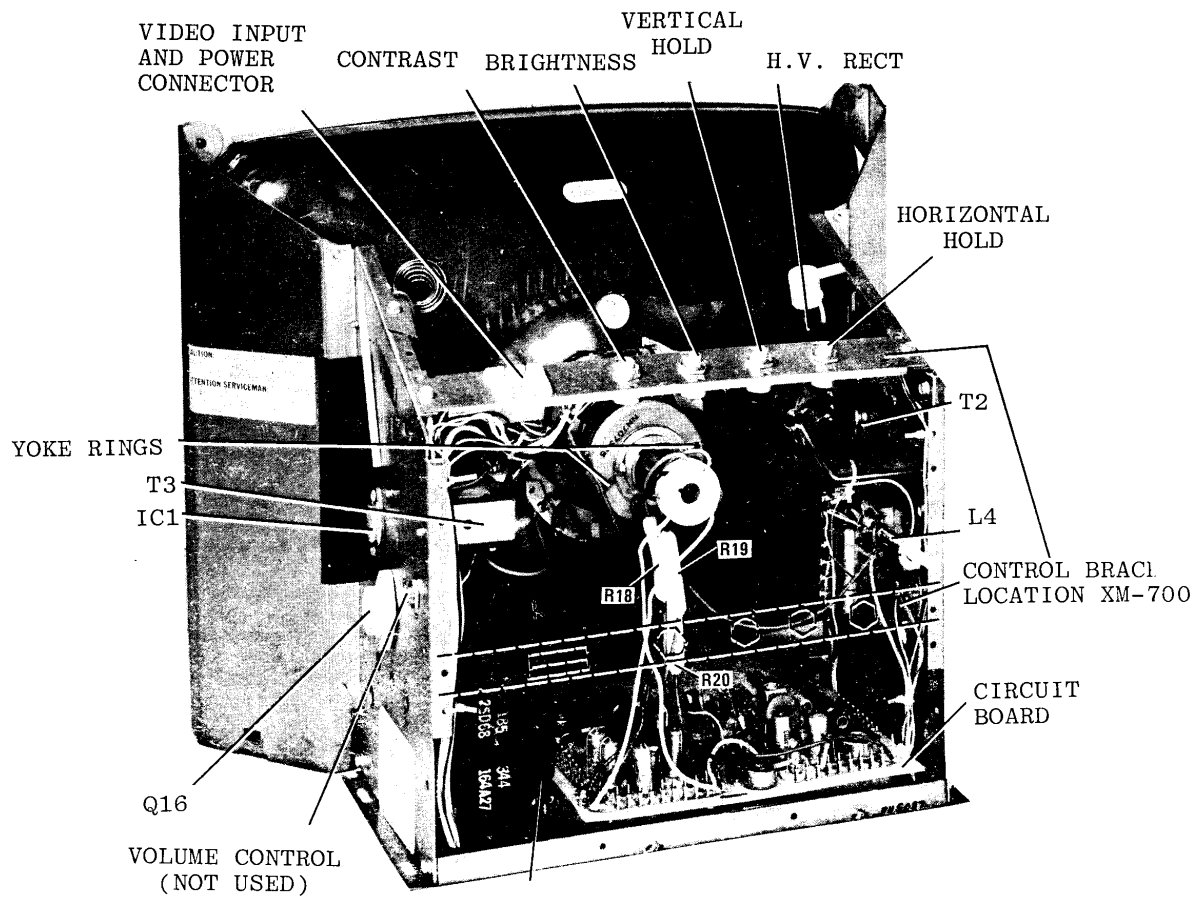
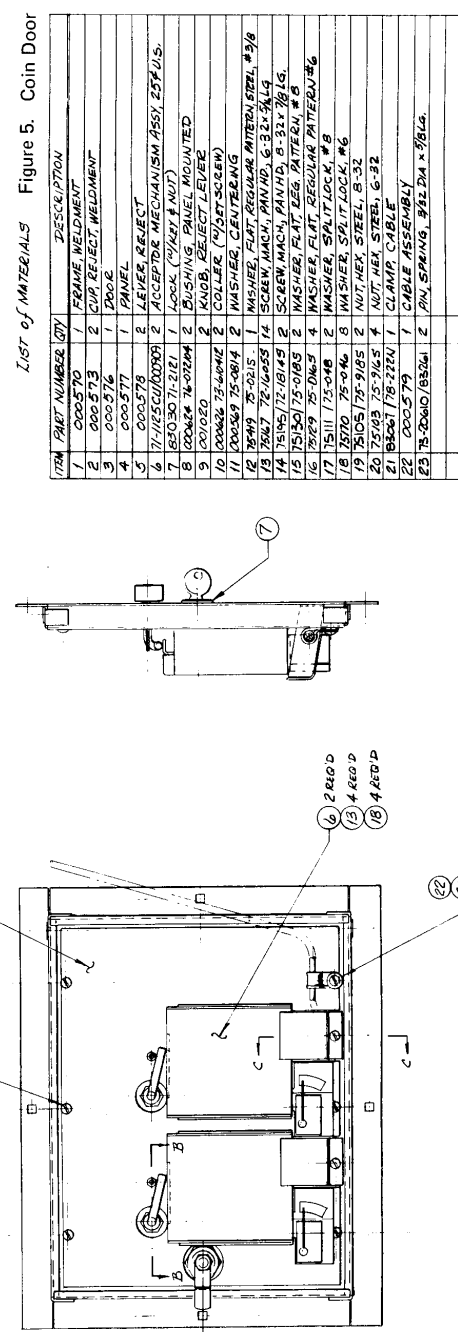
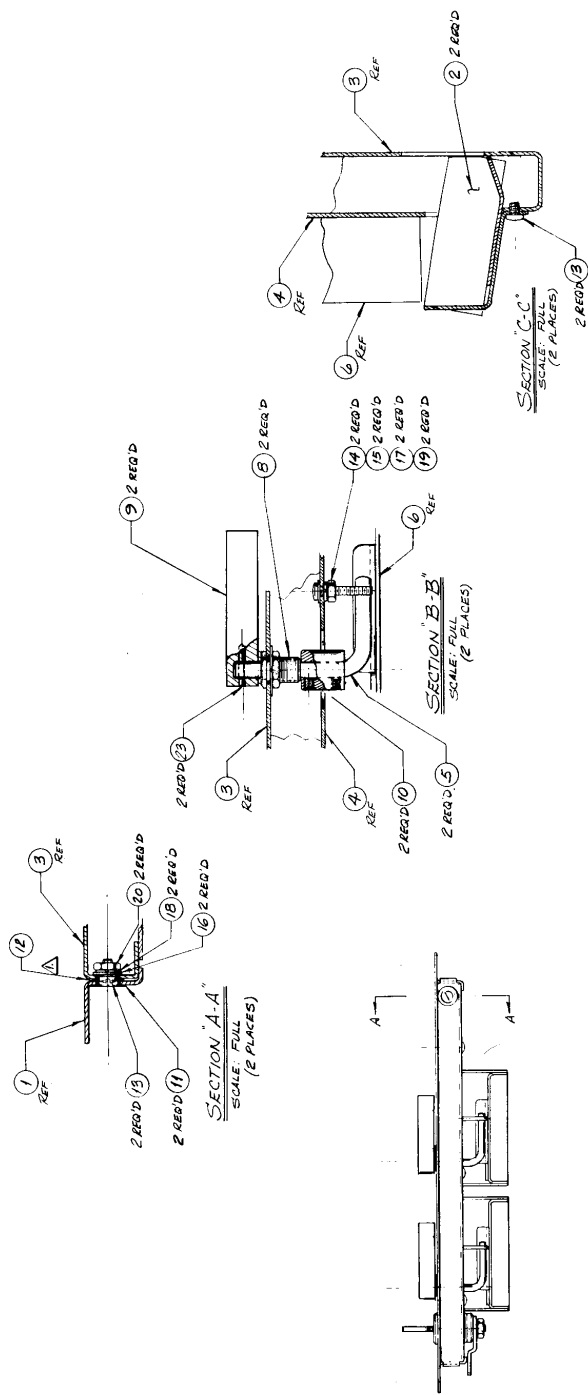


Figure 3. General Illumination Lamps



XM-700 CHASSIS REAR VIEW

Figure 4. T.V. Monitor Adjustments



LIST OF MATERIALS Figure 5. Coin Door

ITEM	PART NUMBER	QTY	DESCRIPTION
1	000570	1	FRAME WELDMENT
2	000573	2	CUP REJECT WELDMENT
3	000576	1	DOOR
4	000577	1	PANEL
5	000578	2	LEVERS, REJECT
6	71-7125CUI00009A	2	ACCEPTOR MECHANISM ASSY, 25¢ U.S.
7	850 30 71-2121	1	LOCK (W/KEY & NOT)
8	000644 74-0124M	2	PUSHING PANEL MOUNTED
9	001020	2	KNOB, REJECT LEVER
10	000626 73-044WIZ	2	COLLAR (W/SET SCREW)
11	000569 75-0814	2	WASHER, CENTERING
12	15-849 75-0215	1	WASHER, FLAT, REGULAR PATTERN, DEFL. #3/8
13	73427 72-16455	14	SCREW, MACH, PAN HD, 6-32 x 1/4 LG.
14	75-195 72-101429	2	SCREW, MACH, PAN HD, 5-32 x 1/8 LG.
15	75-150 75-0125	4	WASHER, FLAT, REG. PATTERN, PAN, 5
16	75-279 75-0145	4	WASHER, FLAT, REG. PATTERN, #6
17	75-111 75-0146	2	WASHER, FLAT, LOCK, #6
18	75-076 75-0146	2	WASHER, FLAT, LOCK, #6
19	75-053 75-0125	2	NUT, HEX, STEEL, 5-32
20	000573 75-0125	1	NUT, HEX, STEEL, 6-32
21	000579	1	CABLE ASSEMBLY
22	75-20810/183264	2	PIN, SPRING, 3/32 DIA x 3/8 LG.

Figure 6b

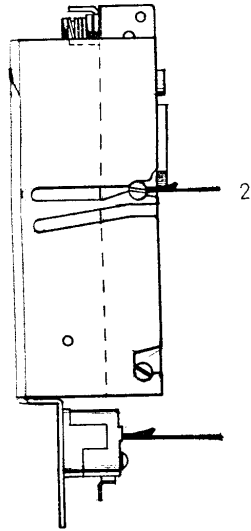


Figure 6a

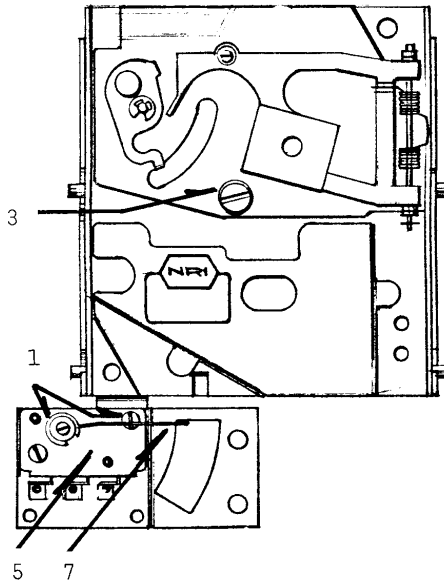
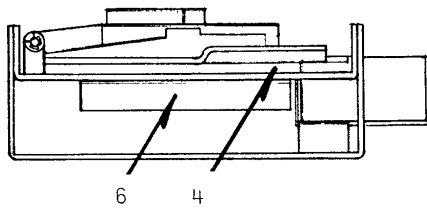
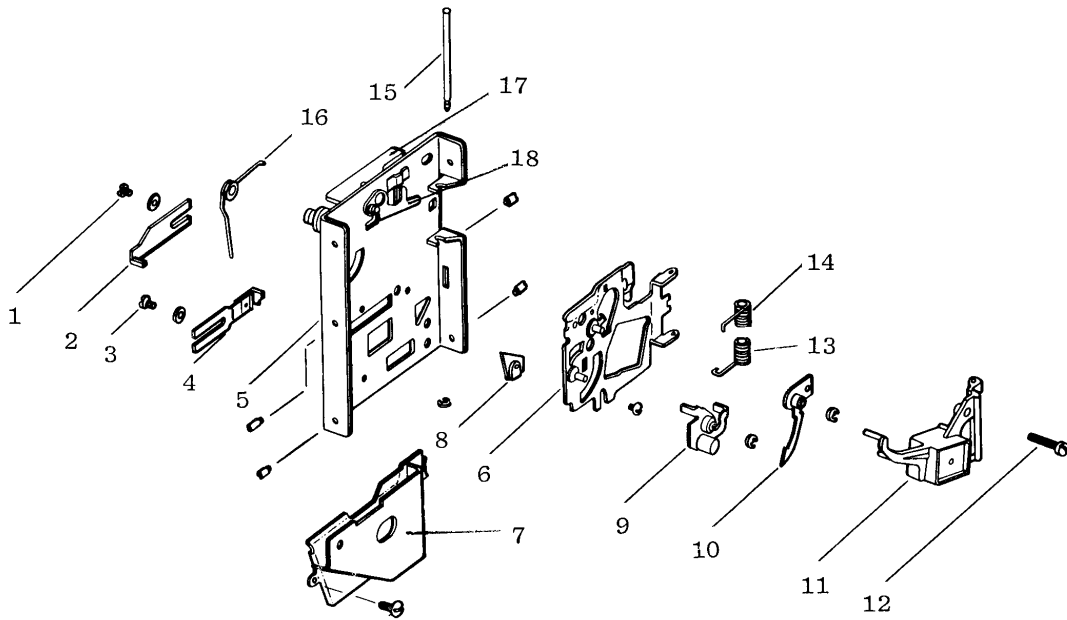


Figure 6c



1. COIN SWITCH RETAINING SCREWS
2. COIN ACCEPTOR RETAINING SCREW
3. MAGNET GATE ADJUSTER
4. COIN ENTRANCE
5. COIN SWITCH
6. WIPER LEVER
7. TRIP WIRE

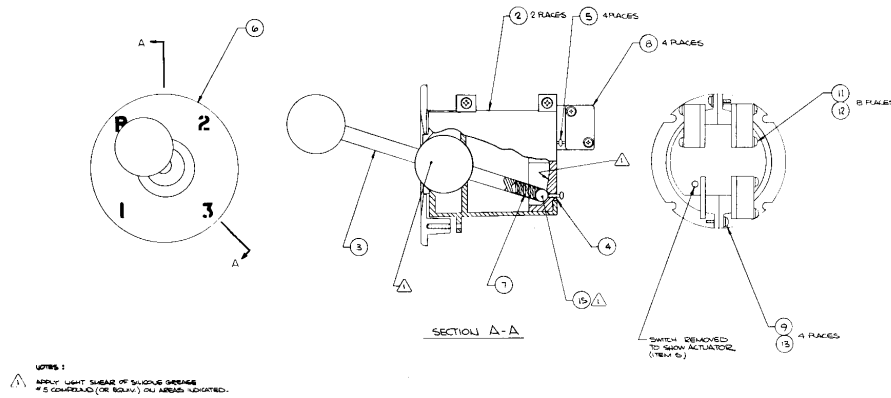
Figure 6. Coin Acceptor



ITEM DESCRIPTION

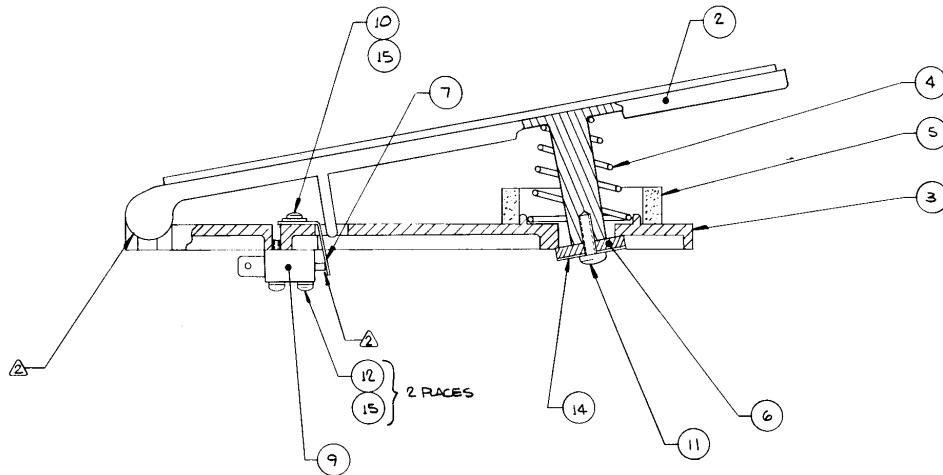
- 1. KICKER SCREW
- 2. KICKER
- 3. SEPARATOR SCREW
- 4. SEPARATOR
- 5. MAINPLATE ASSEMBLY
- 6. GATE ASSEMBLY
- 7. COVERPLATE ASSEMBLY
- 8. RAIL
- 9. CRADLE ASSEMBLY
- 10. UNDERSIZE LEVER
- 11. MAGNET ASSEMBLY
- 12. MAGNET GATE ADJUSTER
- 13. LOWER GATE PIVOT SPRING
- 14. UPPER GATE PIVOT SPRING
- 15. GATE PIVOT PIN
- 16. WIPER LEVER SPRING
- 17. WIPER LEVER
- 18. WIPER

Figure 6d
 COIN ACCEPTOR
 (EXPLODED VIEW)



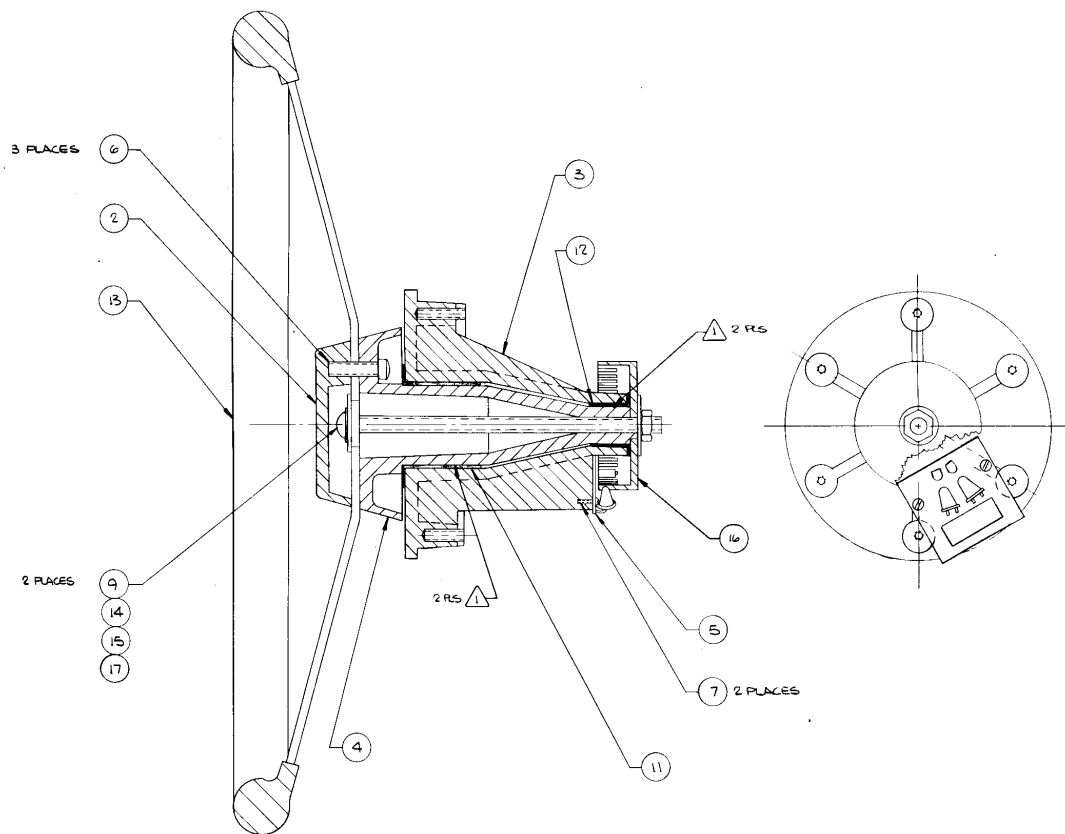
ITEM	PART NUMBER	DESCRIPTION
1.	000608	Shift Assembly
2.	000609	Shift Housing
3.	A000610	Handle Assembly
4.	000611	Shift Detent
5.	000628	Shift Rivet
6.	000612	Shift Bezel
7.	83241	Spring
8.	60004	Cherry Switch
9.	75129	Washer, Flat, #6
10.		
11.	75163	Washer, Flat, #4
12.	75800	Screw, #4-40 x 3/4
13.	75801	Screw, #6-32 x 1/2
14.		
15.	75407	Ball, Steel, 3/8

Figure 7. Gear Shifter



ITEM	PART NUMBER	DESCRIPTION
1.	A000589	Foot Pedal Assembly
2.	000590	Foot Pedal
3.	000591	Pedal Foot
4.	000592	Spring
5.	000593	Bumper
6.	000594	Stop Washer
7.	000596	Actuator
8.	000597	Bearing Block
9.	60004	Cherry Switch
10.	75166	Screw, #4-40 x 1/4
11.	75199	Screw, #4-20 x 1/2
12.	75800	Screw, #4-40 x 3/4
13.		
14.	75425	Washer, Fender 1/4
15.	75163	Washer, Flat, #4

Figure 8. Pedal Assembly



- NOTES:
- 1. APPLY LIGHT FILM OF SILICONE GREASE #5 COMPOUND (OR EQUIV.) ON AREAS INDICATED. (ITEM 18)
 - 2. VENDOR PART NO. 3201-3803

Figure 9. Steering Wheel Assembly

ITEM	PART NUMBER	DESCRIPTION
1.	000598	Steering Wheel Assembly
2.	000599	Cover
3.	000605	Housing
4.	000606	Shaft
5.	000607	PCB Assembly
6.	75804	Screw, # $\frac{1}{4}$ -20 x 3/4
7.	75424	Screw, #2 x 1/4
8.		
9.	75409	Washer, Fender, 1/4
10.		
11.	83236	Bearing
12.	83242	Bearing
13.	83243	Steering Wheel
14.	75221	Nut, # $\frac{1}{4}$ -20, Nylon Lock
15.	75198	Screw, # $\frac{1}{4}$ -20 x 5
16.	000616	Light Hub
17.	75189	Washer, 1/4, Starlock
18.	83268	Silicone Grease, #5

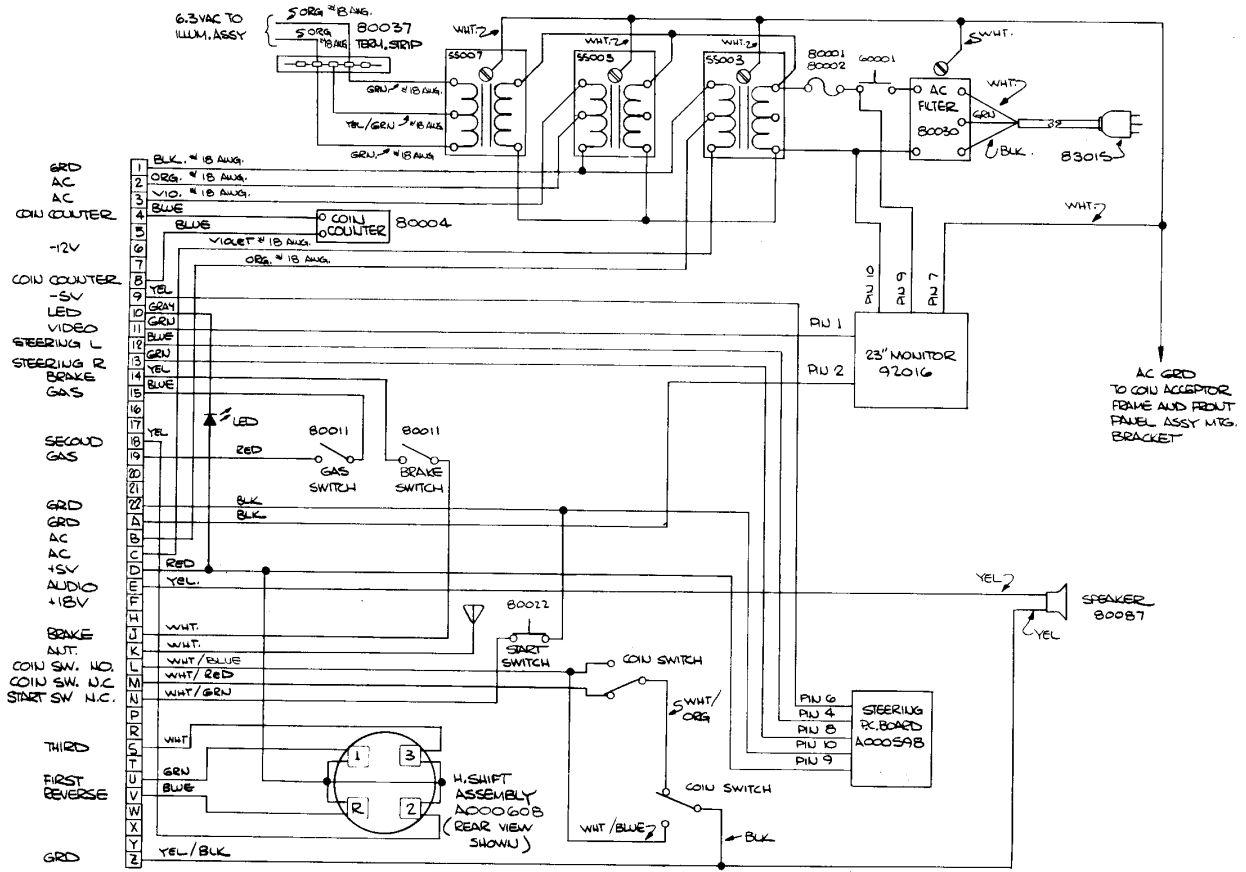
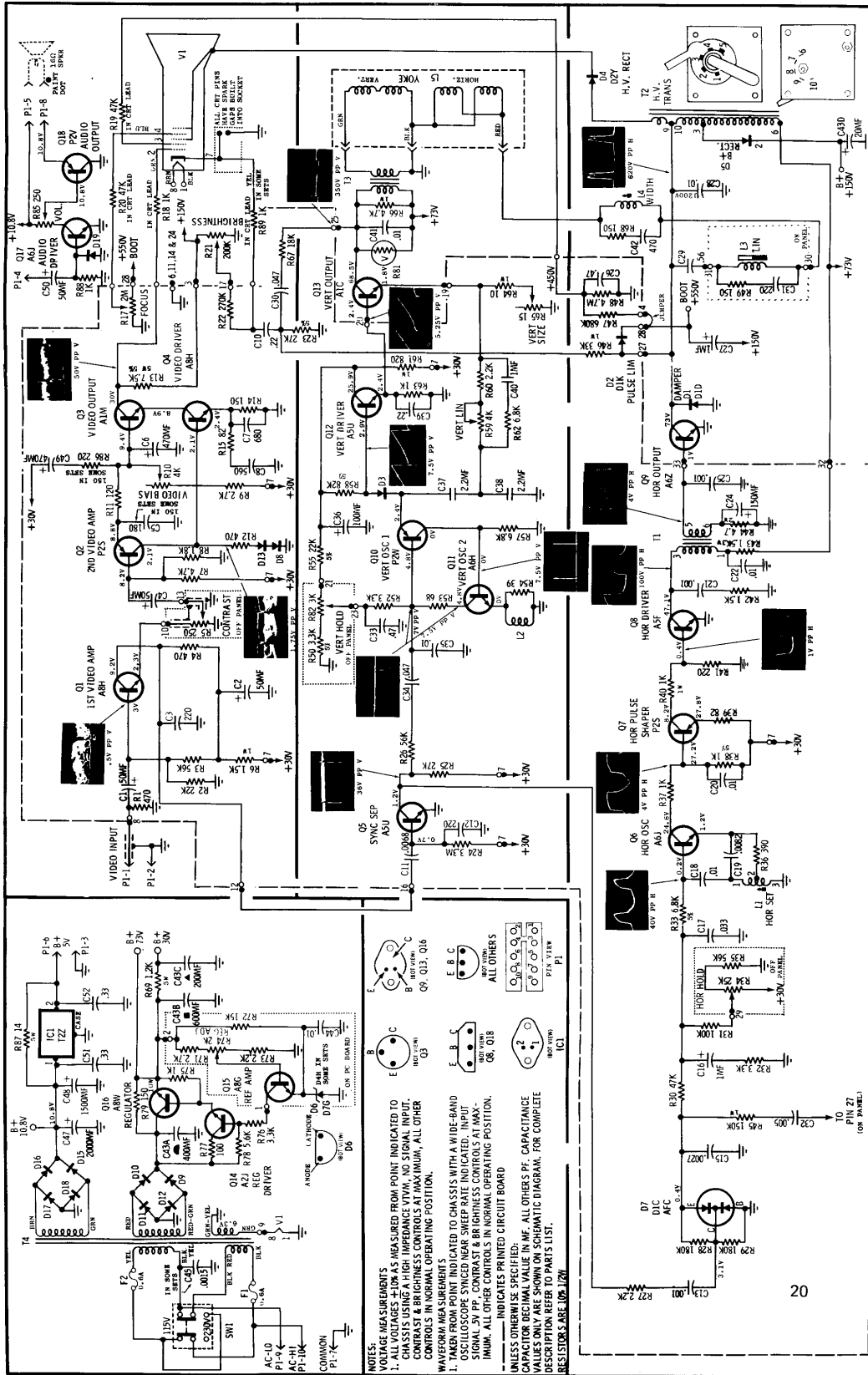


Figure 10. Wiring Diagram

Figure 11. T.V. Monitor Schematic Diagram



ITEM	PART NUMBER	DESCRIPTION
1.	A000521	Electronics Tray Assembly
2.	000548	Tray, Electronics
3.	000622	Cover, Transformer
4.		
5.	A000872E	PCB Computer, Rev. E
6.		
7.		
8.	55003*	Transformer
9.	55007*	Transformer
10.	60001	Interlock Switch
11.	75200	Screw, #6 x 1/2
12.	75211	Screw, #6 x 1-1/4
13.	75102	Washer, Flat, #6
14.	80001	Fuse Holder
15.	80002	Fuse, 1 Amp., Slo-Blo
16.	80004	Game Counter
17.	80030	AC Filter
18.	80037	Terminal Strip
19.	83011	Cable Clamp
20.	83013	Spacer, 1/2, #6
21.	83015	Power Cord, 8'
22.	83097	Switch Bracket
23.	77035	Wire, 18 gauge, Orange
24.	77037	Wire, 18 gauge, Red
25.	80054	Terminal, Push-on, 3/16
26.	75-7812	Screw, #8 x 3/4
27.	001141	Form, Disc
28.	000871	Label

* Optional transformer replaces items 8 and 9.

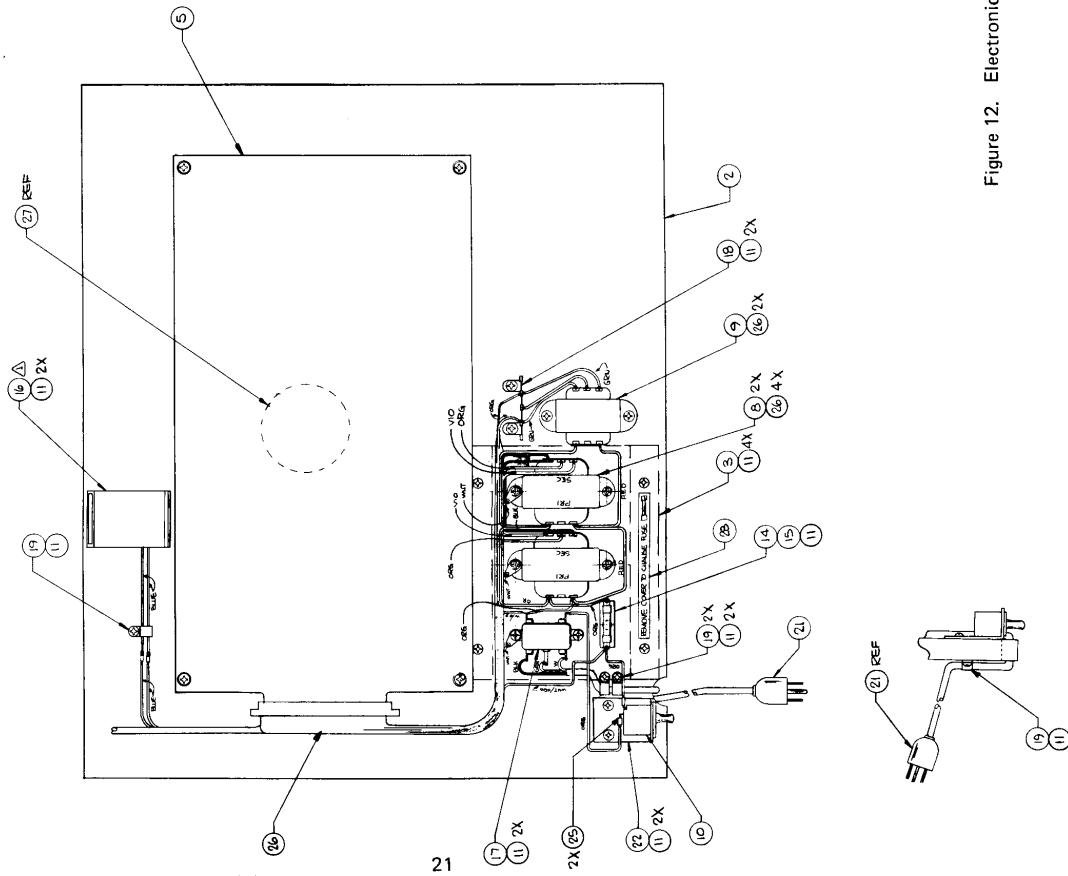
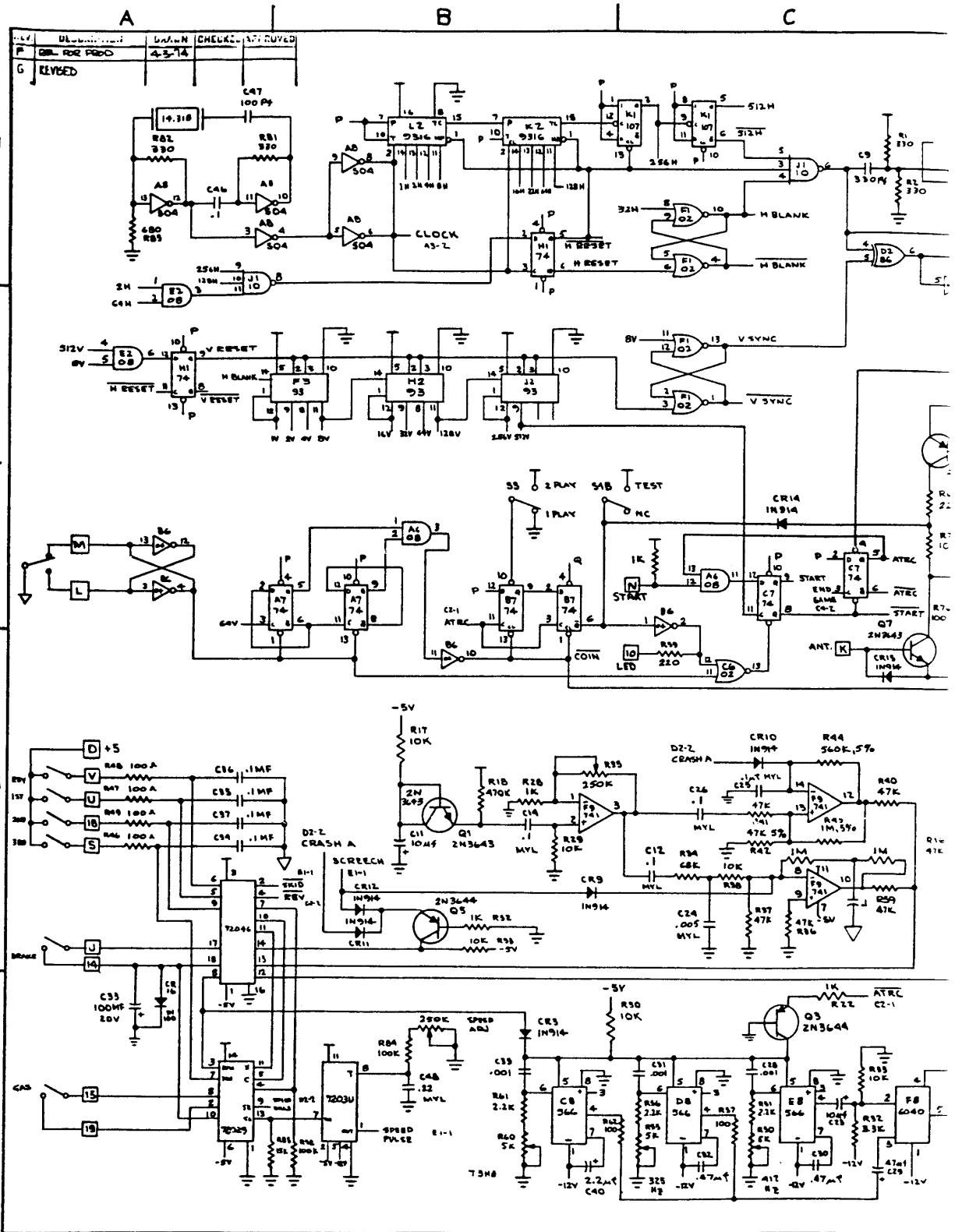
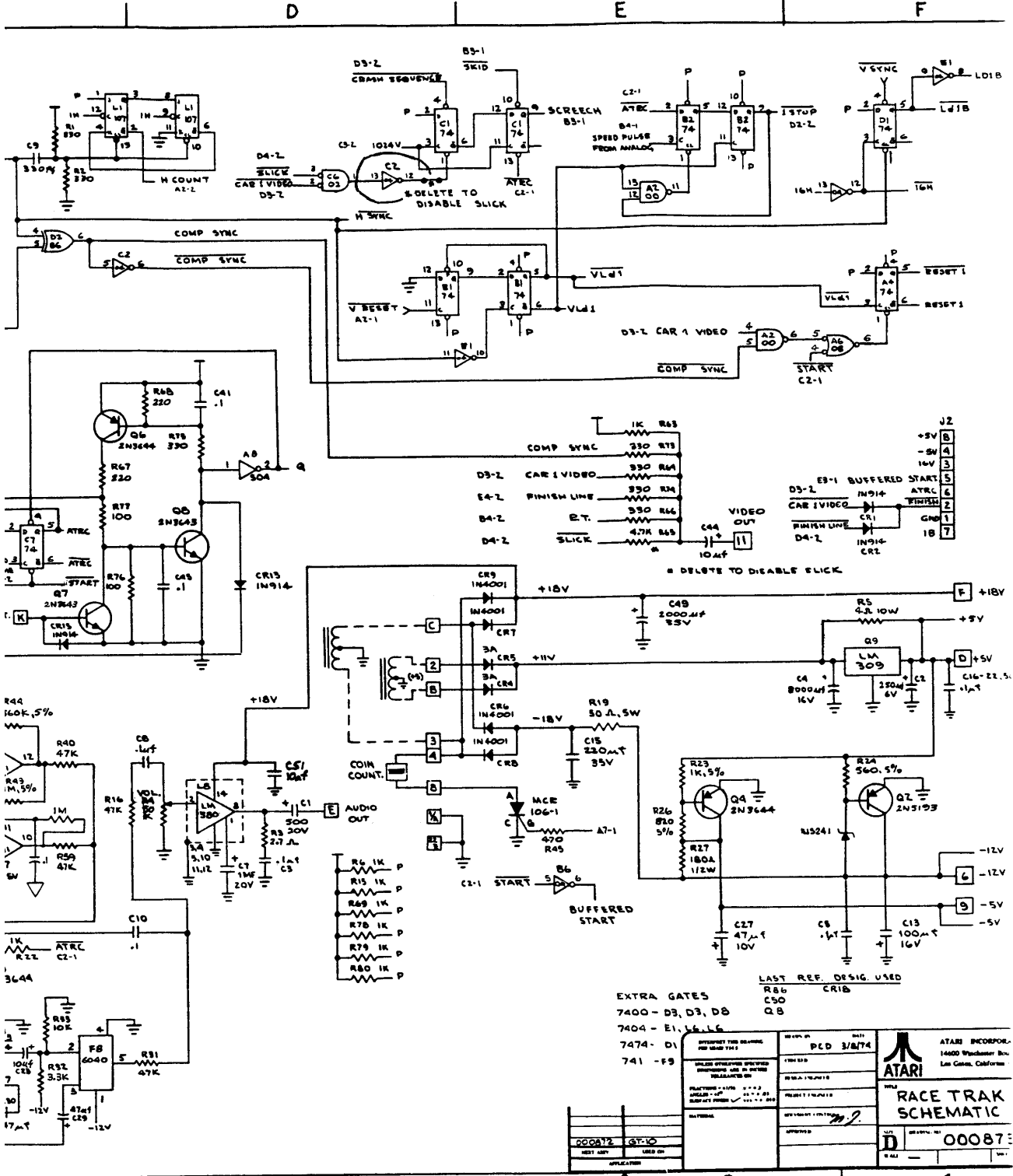
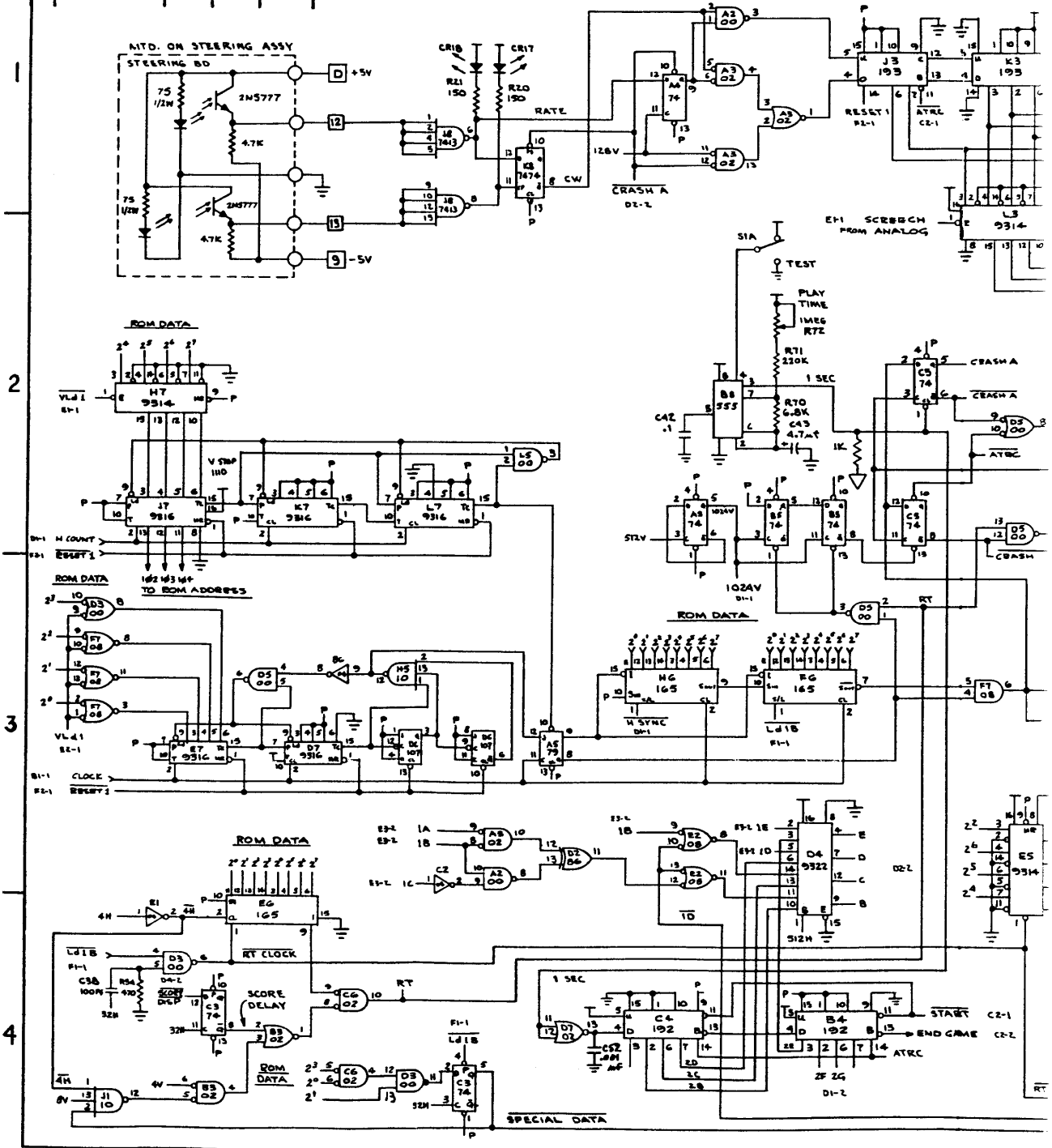


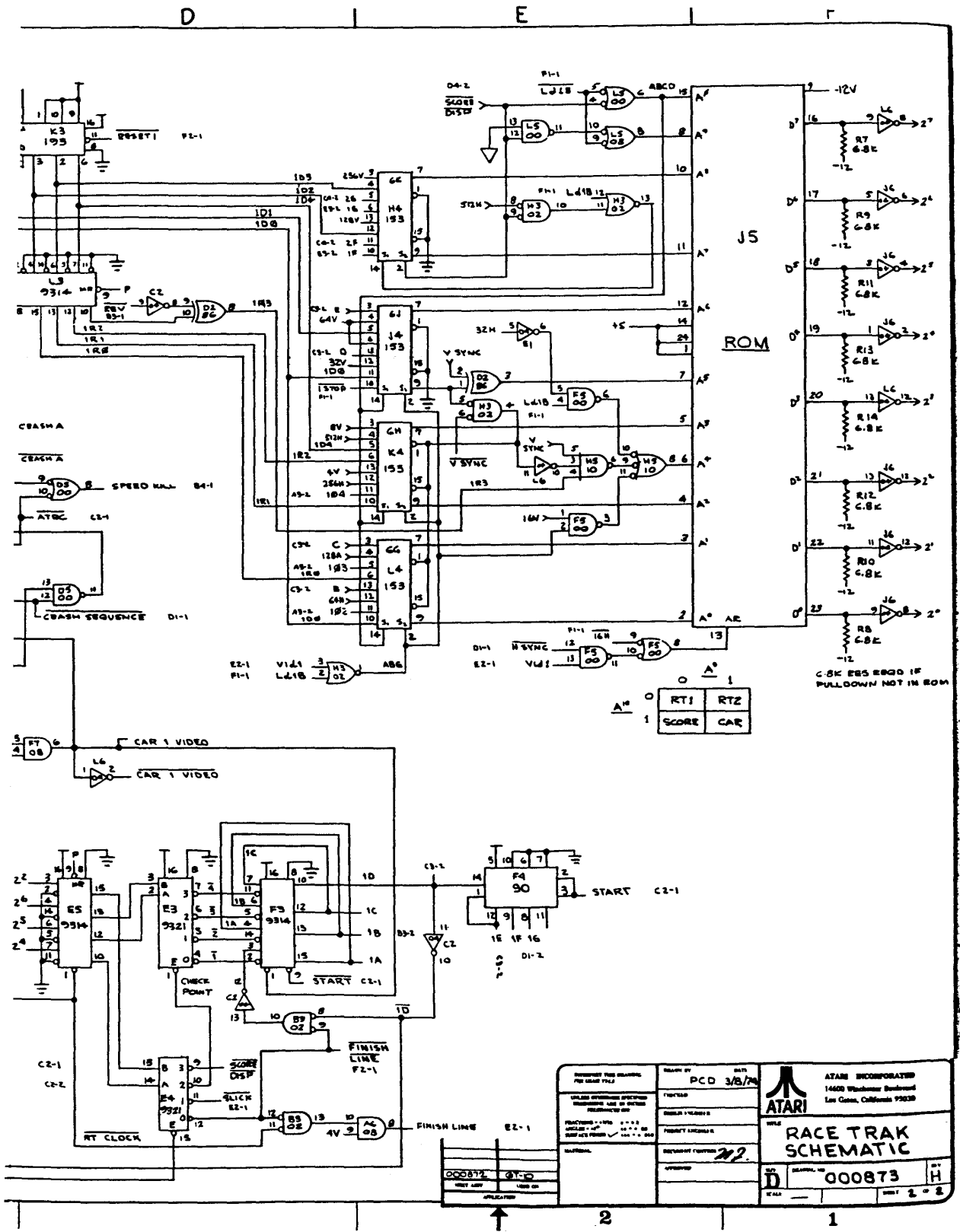
Figure 12. Electronics Tray Assembly





F. QCL FOR PROD 4-3-74
 G. REVISED





APPROVED FOR DRAWING PER DATE 1/12	DRAWN BY PCD 3/8/74	DATE 3/8/74	ATARI INCORPORATED 14600 Woodman Boulevard Los Gatos, California 95030
UNLESS OTHERWISE SPECIFIED DIMENSIONS ARE IN INCHES DECIMALS TO 0.005	PROJECT RACE TRAK	DRAWN BY PCD	ATARI
FINISHED 1/19/74 CHECKED 1/19/74 APPROVED 1/19/74	PROJECT NUMBER 212	DRAWN BY PCD	RACE TRAK SCHEMATIC
000873 01-10 SHEET NO. 10 OF 10	APPROVED [Signature]	PROJECT NUMBER 212	PART NO. 000873 REV. H