

Konami Inc.
Century Inc.

CIRCUS CHARLIE™



SERVICE MANUAL
901-2169

CIRCUS CHARLIE
OPTIONAL DIP SWITCH SETTINGS

A. Dip Switch No.1 (8P Dip Switch)

Credits

Coin	Plays	SW1	SW2	SW3	SW4	SW5	SW6	SW7	SW8
1	1	Off	Off	Off	Off	Off	Off	Off	Off
1	2	On	Off	Off	Off	On	Off	Off	Off
1	3	Off	On	Off	Off	Off	On	Off	Off
1	4	On	On	Off	Off	On	On	Off	Off
1	5	Off	Off	On	Off	Off	Off	On	Off
1	6	On	Off	On	Off	On	Off	On	Off
1	7	Off	On	On	Off	Off	On	On	Off
2	1	On	On	On	Off	On	On	On	Off
2	3	Off	Off	Off	On	Off	Off	Off	On
2	5	On	Off	Off	On	On	Off	Off	On
3	1	Off	On	Off	On	Off	On	Off	On
3	2	On	On	Off	On	On	On	Off	On
3	4	Off	Off	On	On	Off	Off	On	On
4	1	On	Off	On	On	On	Off	On	On
4	3	Off	On	On	On	Off	On	On	On
Free Play		On	On	On	On	On	On	On	On

B: Dip Switch No.2 (8P Dip Switch)

1. Number Of Clowns

Number	SW1	SW2
<input type="radio"/> 3	Off	Off
4	On	Off
5	Off	On
7	On	On

2. Game Type

Style	SW3	Players
Table	Off	1 or 2 Players
Upright	On	Only 1 Player

3. Bonus Points Setting

First	And Every	SW4	SW5
<input type="radio"/> 20,000	70,000	Off	Off
30,000	80,000	On	Off

B. Dip Switch No.2 (continues)

4. Play Difficulty

Option	SW6	SW7
Easy	Off	Off
<input type="radio"/> Normal	On	Off
Hard	Off	On
Difficult	On	On

5. Audio Attraction

Sound Mode	SW8
No Sound In Attract Mode	Off
<input type="radio"/> Sound In Attract Mode	On

Denotes Normal Settings

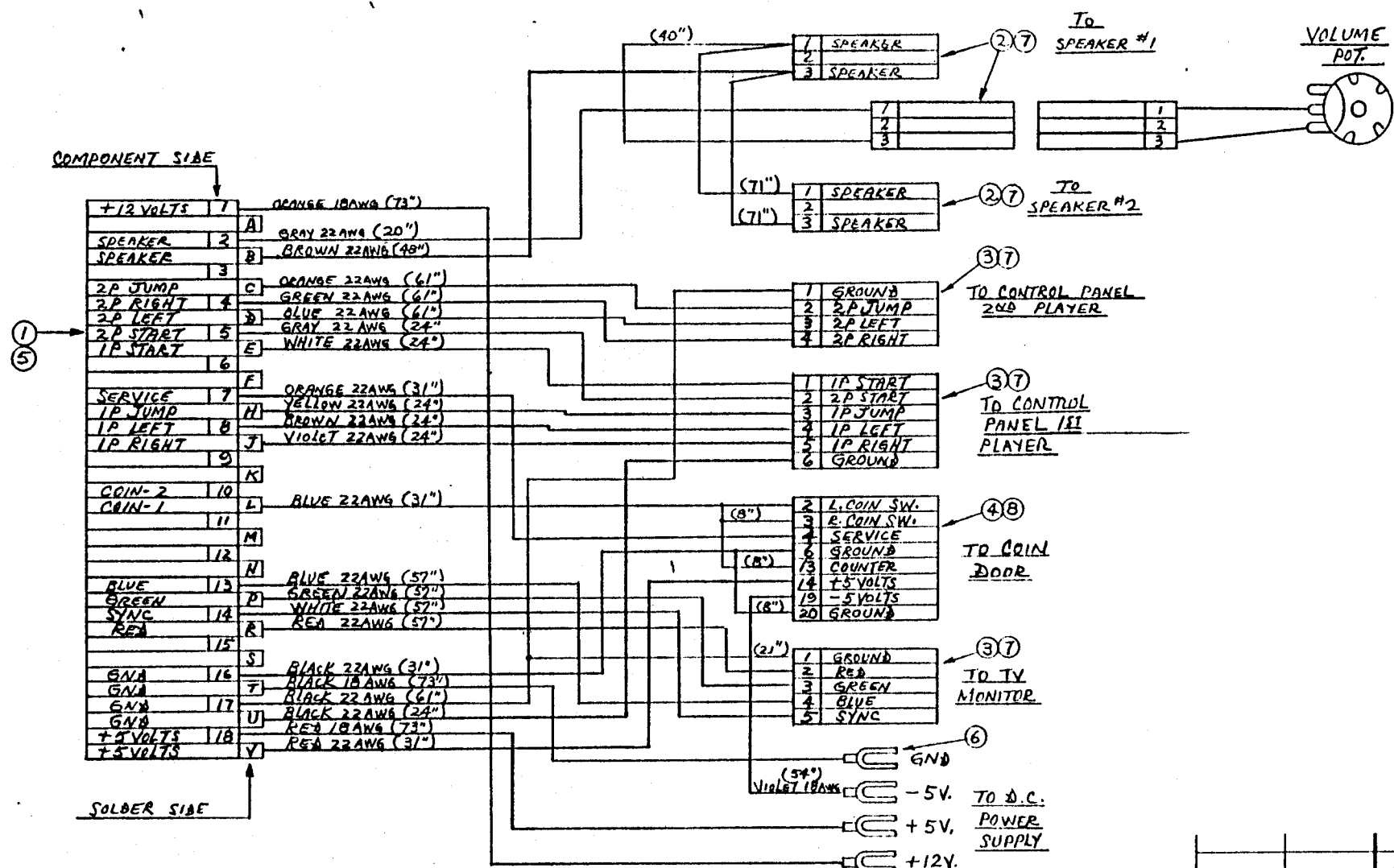
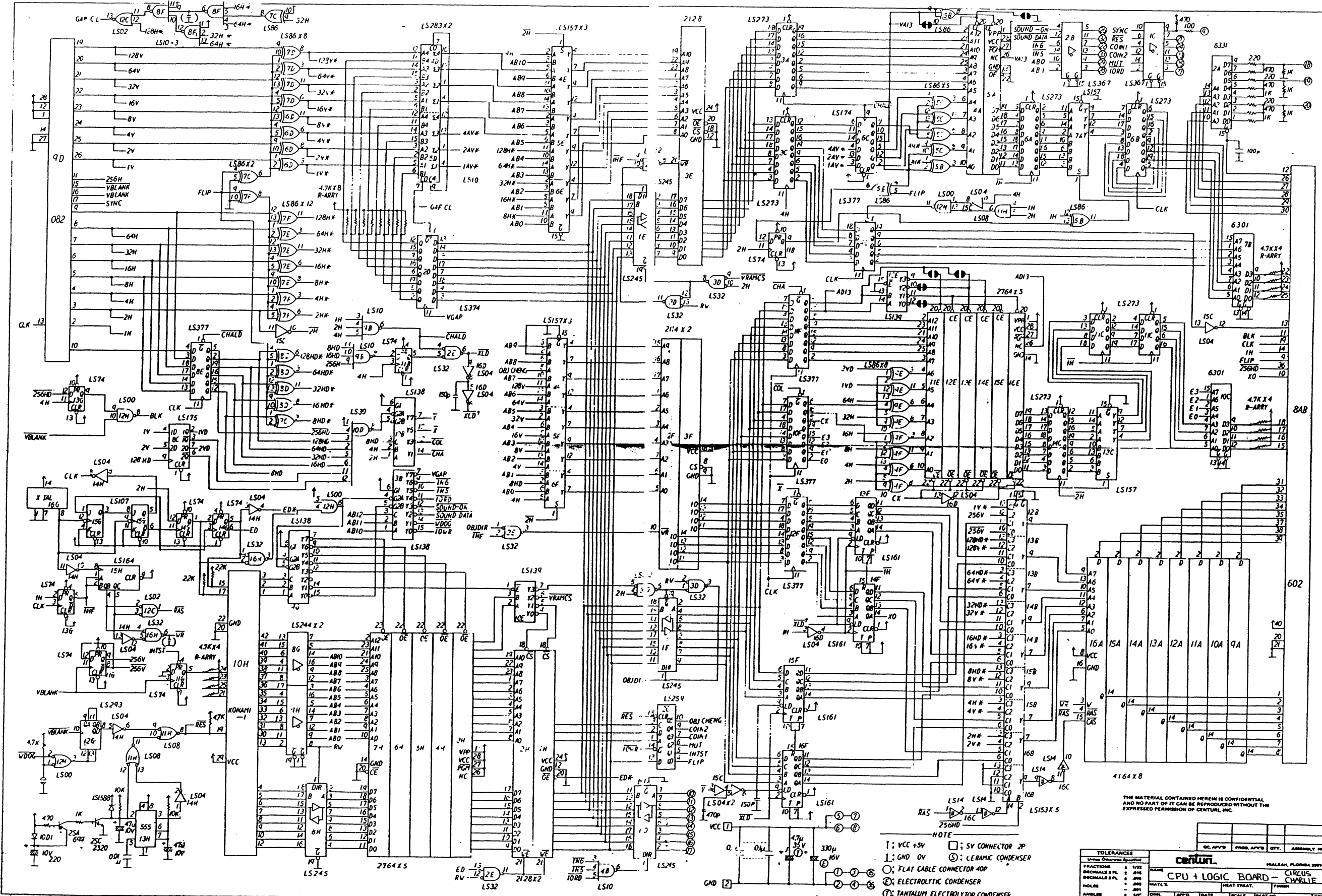


FIGURE 13

QC. APV'D	PROD. APV'D	QTY	ASSEMBLY NO
		1	

TOLERANCES				HIALEAH, FLORIDA 33014			
Unless Otherwise Specified				NAME			
FRACTIONS	±	1/32		CPU HARNESS-CIRCUS CHARLIE, C/T			
DECIMALS 2 PL	±	.015		MATERIALS			
DECIMALS 3 PL	±	.005		HEAT TREAT.			
HOLES	±	.003		FINISH			
ANGLES	±	1/2°		DWN	DATE	SCALE	PART NO.
SMT. MET BENDS	±	2°		M.S.	12-28-83	X	008-4930
REV. LET.	ECN NO.	REVISION	BY	APP'D.	DATE	SCALE	PART NO.
A	4041-01	CHANGED GRAY WIRE TO BRN, CHANGED BRN WIRE TO GRAY FROM 24 TO 18 AWG. GRAY FROM 24 TO 18 AWG.	M.S.				008-4930
							REV. A



THE MATERIAL CONTAINED HEREIN IS CONFIDENTIAL
AND NO PART OF IT CAN BE REPRODUCED WITHOUT THE
EXPRESSED PERMISSION OF CENTRUM, INC.

NOTE
1: VCC +5V
2: GND 0V
3: FLAT CABLE CONNECTOR 40P
4: ELECTROLYTIC CONDENSER
5: TANTALUM ELECTROLYTIC CONDENSER

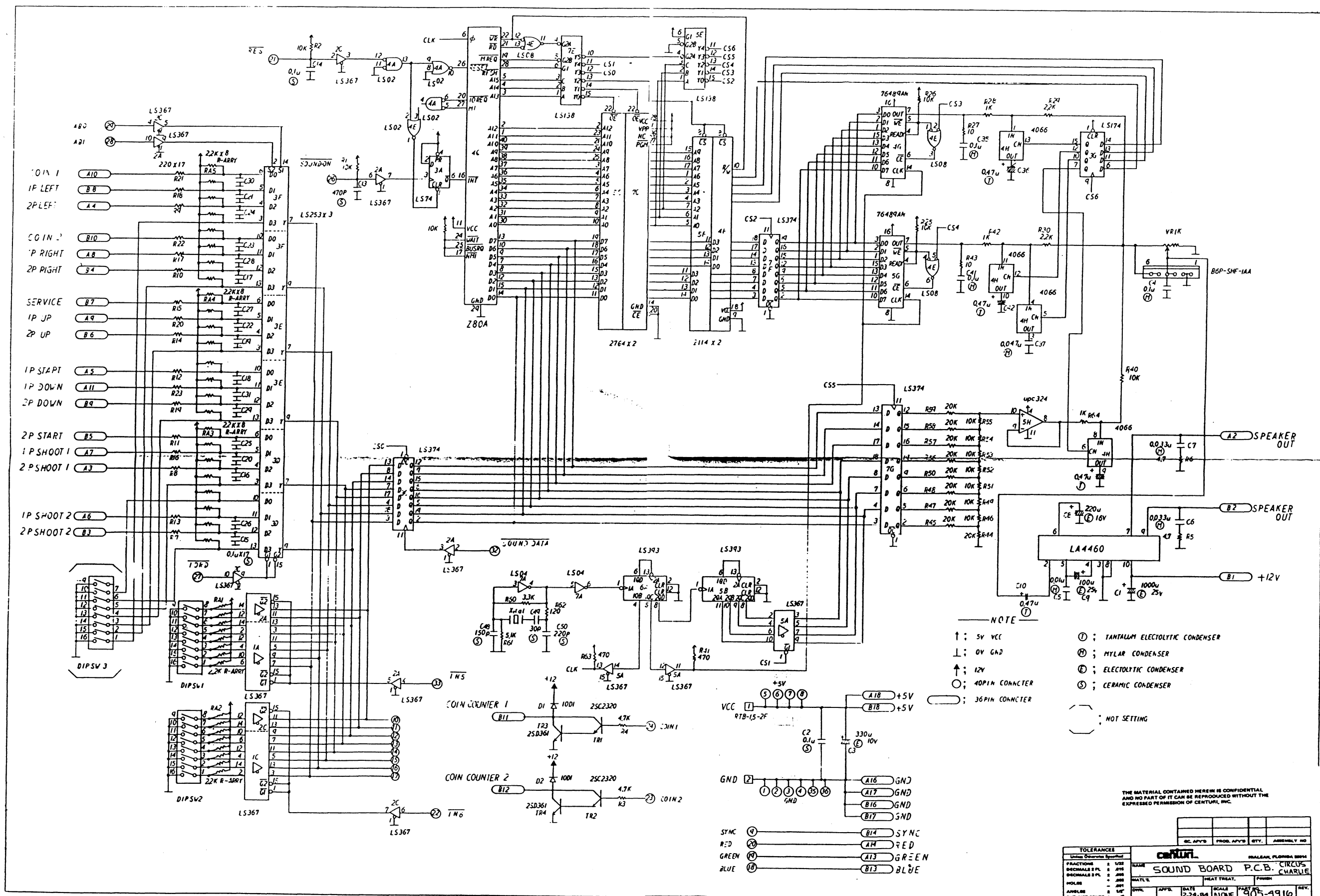
TOLERANCES	VALUES
FRACTIONS	1/100
RESISTORS	1/100
CAPACITORS	1/100
WELDS	1/100
AMPLIFIER	1/100
WATER, MET. BOND	1/100

CENTRUM MIAMI, FLORIDA 33156

NAME: CPU + LOGIC BOARD - CIRCUIS
CHARLIE

MATERIAL: 2-24-80 NONE 905-4915

DATE: 2-24-80
SCALE: NONE
PART NO: 905-4915
REV: 1



NOTE

↑; 5V VCC
 ↓; 0V GND
 ↑↑; 12V
 ○; 40PIN CONNECTER
 ○; 36PIN CONNECTER

①; TANTALUM ELECTROLYTIC CONDENSER
 ⊕; MYLAR CONDENSER
 ⊖; ELECTROLYTIC CONDENSER
 ⊙; CERAMIC CONDENSER
 □; NOT SETTING

THE MATERIAL CONTAINED HEREIN IS CONFIDENTIAL AND NO PART OF IT CAN BE REPRODUCED WITHOUT THE EXPRESSED PERMISSION OF CENTURI, INC.

TOLERANCES		FRACCTIONS		DIMENSIONS		MATERIALS		FINISH	
±0.005	±0.010	±0.005	±0.010	±0.005	±0.010	±0.005	±0.010	±0.005	±0.010
±0.005	±0.010	±0.005	±0.010	±0.005	±0.010	±0.005	±0.010	±0.005	±0.010
±0.005	±0.010	±0.005	±0.010	±0.005	±0.010	±0.005	±0.010	±0.005	±0.010
±0.005	±0.010	±0.005	±0.010	±0.005	±0.010	±0.005	±0.010	±0.005	±0.010
±0.005	±0.010	±0.005	±0.010	±0.005	±0.010	±0.005	±0.010	±0.005	±0.010

DATE: 2-24-84
 SCALE: NONE
 PART NO.: 805-4916
 REV.: